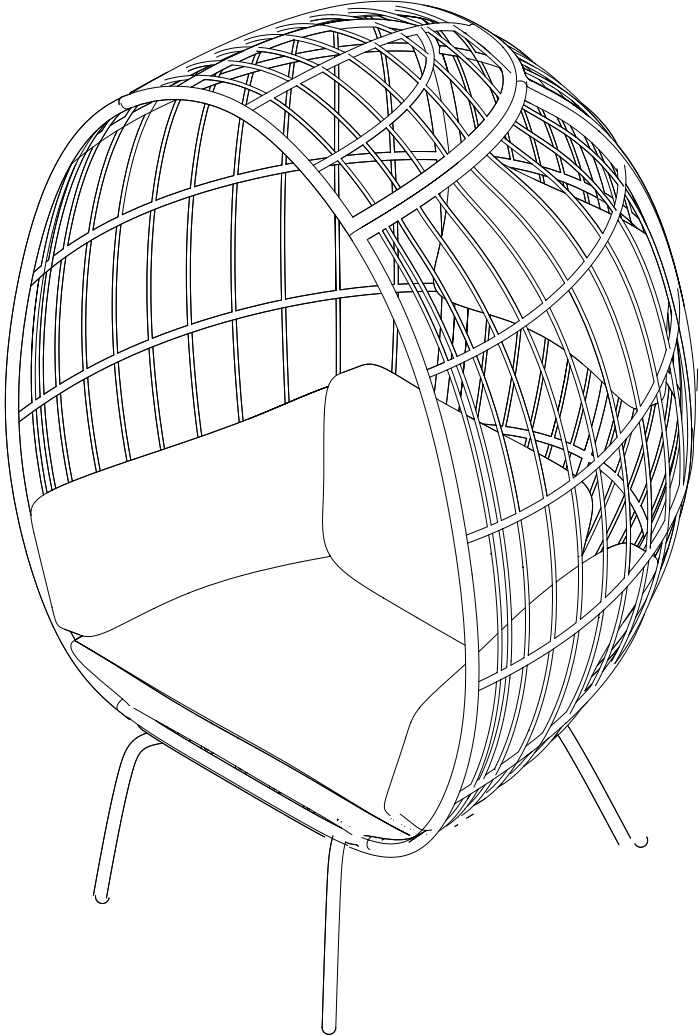


# ASSEMBLY INSTRUCTIONS

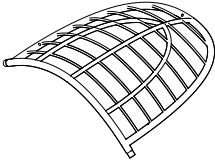
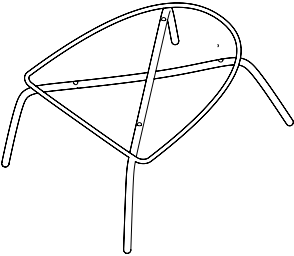
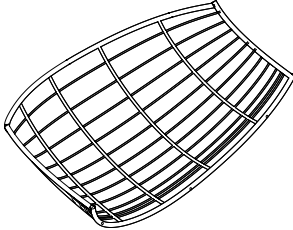
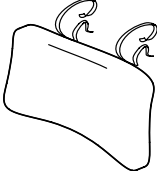
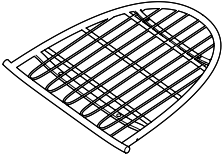
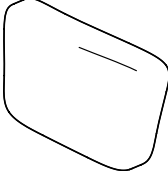
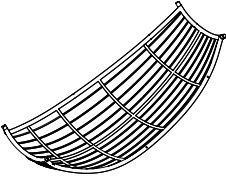
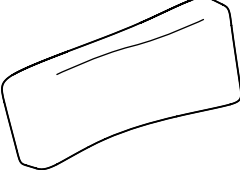
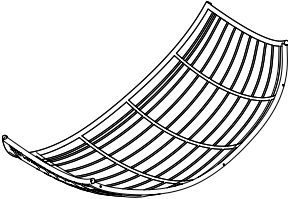
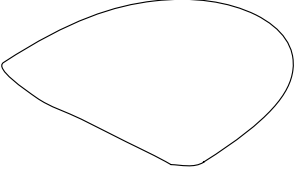
---



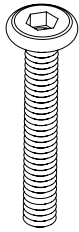
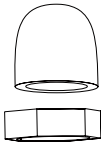
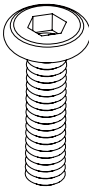
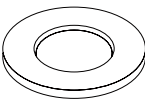
## **WICKER EGG CHAIR**

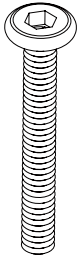

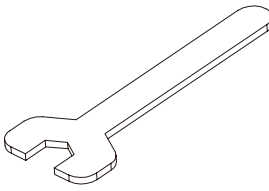
It is recommended that 2 people install the product.

# ASSEMBLY INSTRUCTIONS

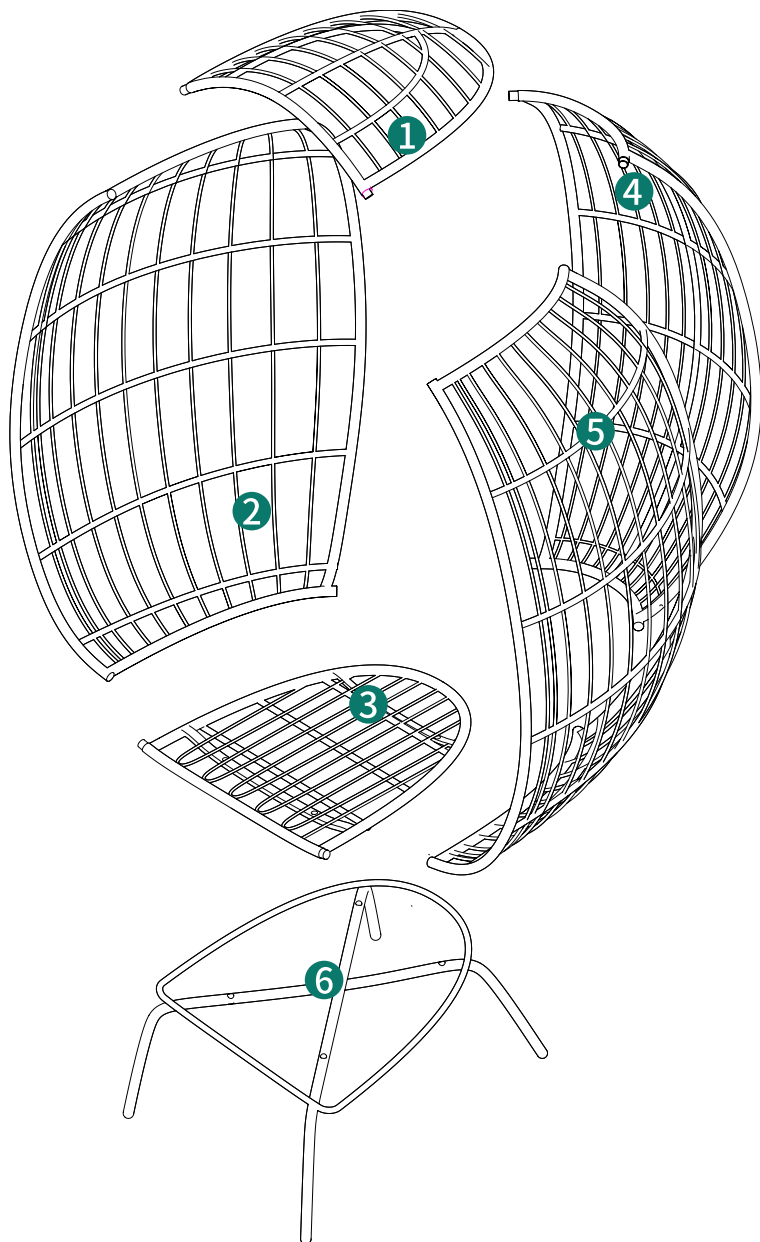
Item no.	Reference Image	Qty.	Item no.	Reference Image	Qty.
①		X1	⑥		X1
②		X1	⑦		X1
③		X1	⑧		X1
④		X1	⑨		X2
⑤		X1	⑩		X1

# ASSEMBLY INSTRUCTIONS

Item no.	Reference Image	Qty.
<b>(A)</b>	 M6*55	X9
<b>(B)</b>		X13
<b>(C)</b>	 M6*35	X4
<b>(D)</b>	 M6*16*1.0	X30

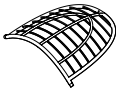
Item no.	Reference Image	Qty.
<b>(E)</b>	 M6*55	X4
		X1
		X1

# ASSEMBLY INSTRUCTIONS

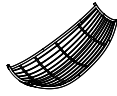


# ASSEMBLY INSTRUCTIONS

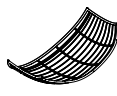
**1**



①1pc



④1pc



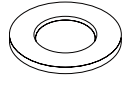
⑤1pc



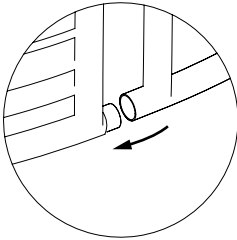
Ⓐ5pcs



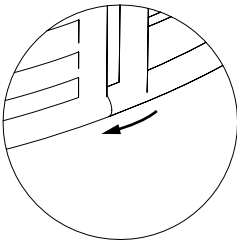
Ⓑ5pcs



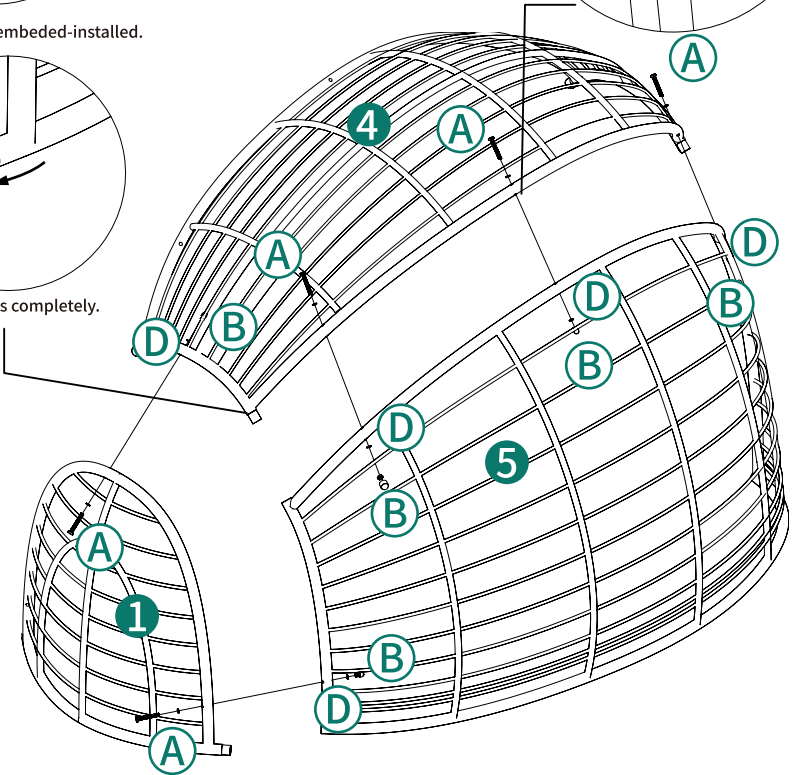
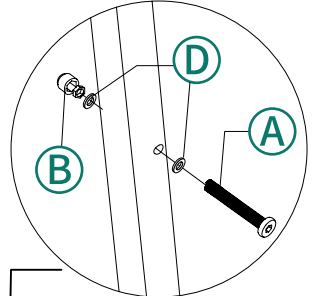
Ⓓ10pcs



The tube needs to be embedded-installed.



When the tube embeds completely.



# ASSEMBLY INSTRUCTIONS

2



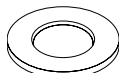
② 1pc



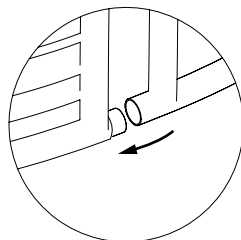
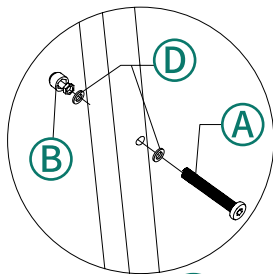
Ⓐ 4pcs



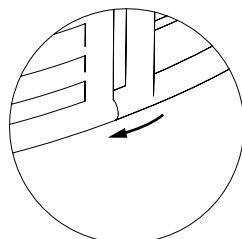
Ⓑ 4pcs



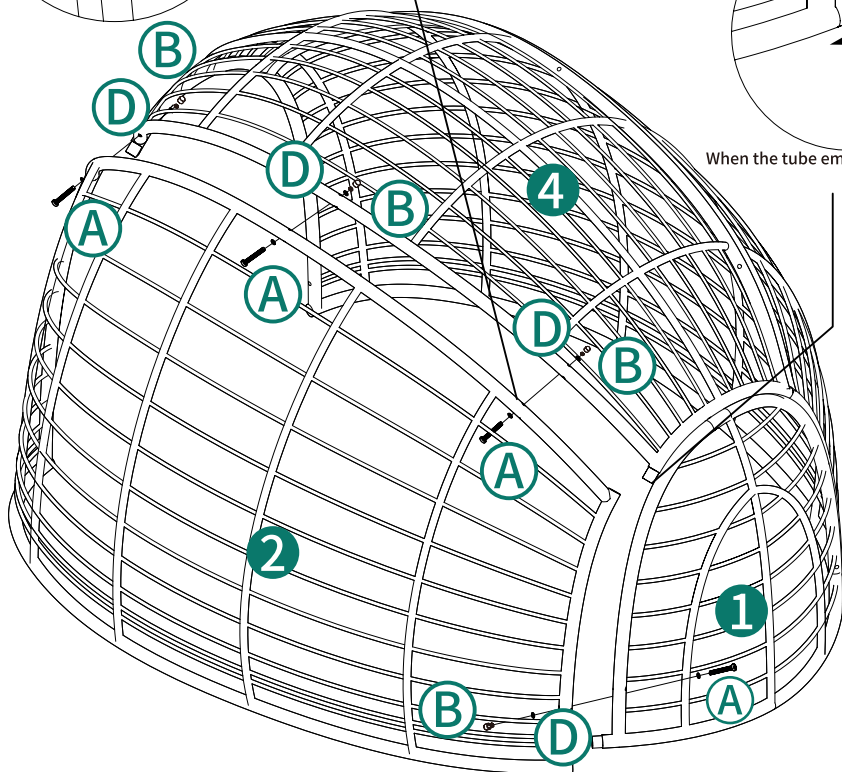
Ⓓ 8pcs



The tube needs to be embedded-installed.

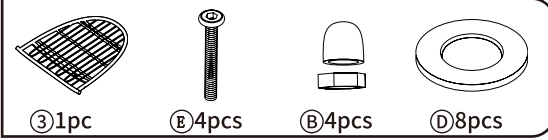


When the tube embeds completely.

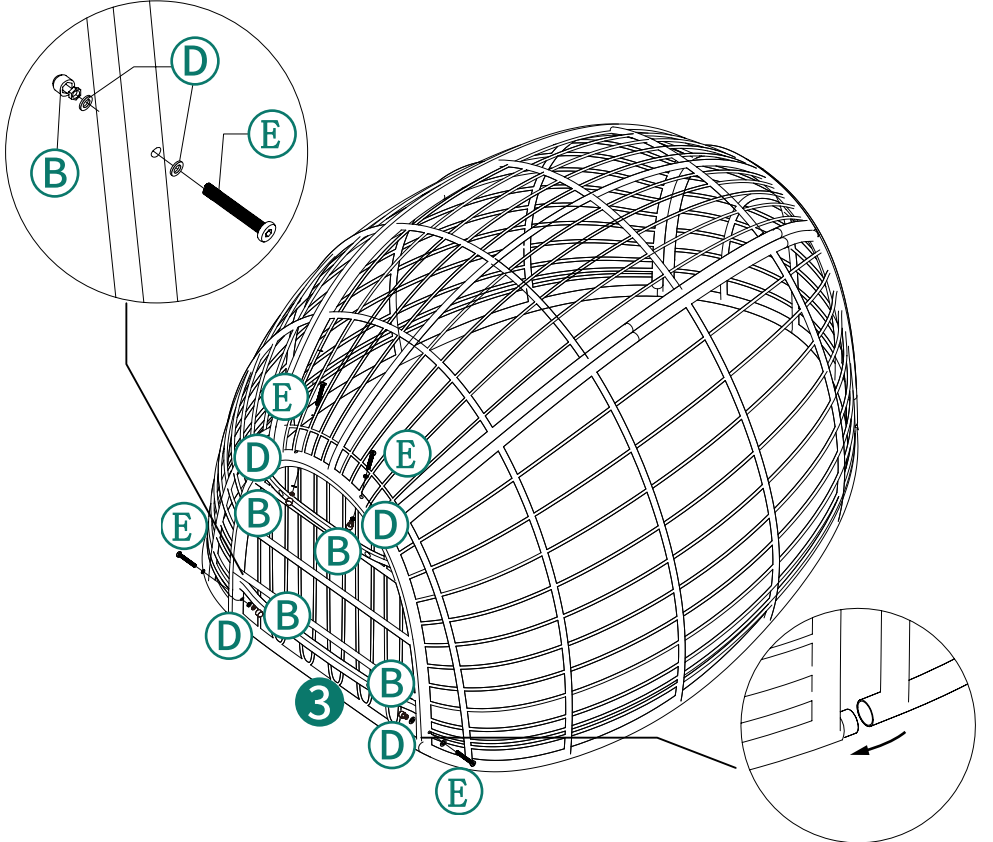


# ASSEMBLY INSTRUCTIONS

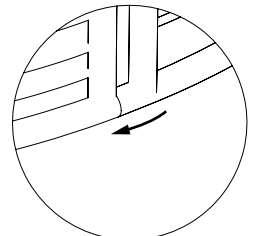
**3**



③ 1pc      ④ 4pcs      ⑤ 4pcs      ⑥ 8pcs

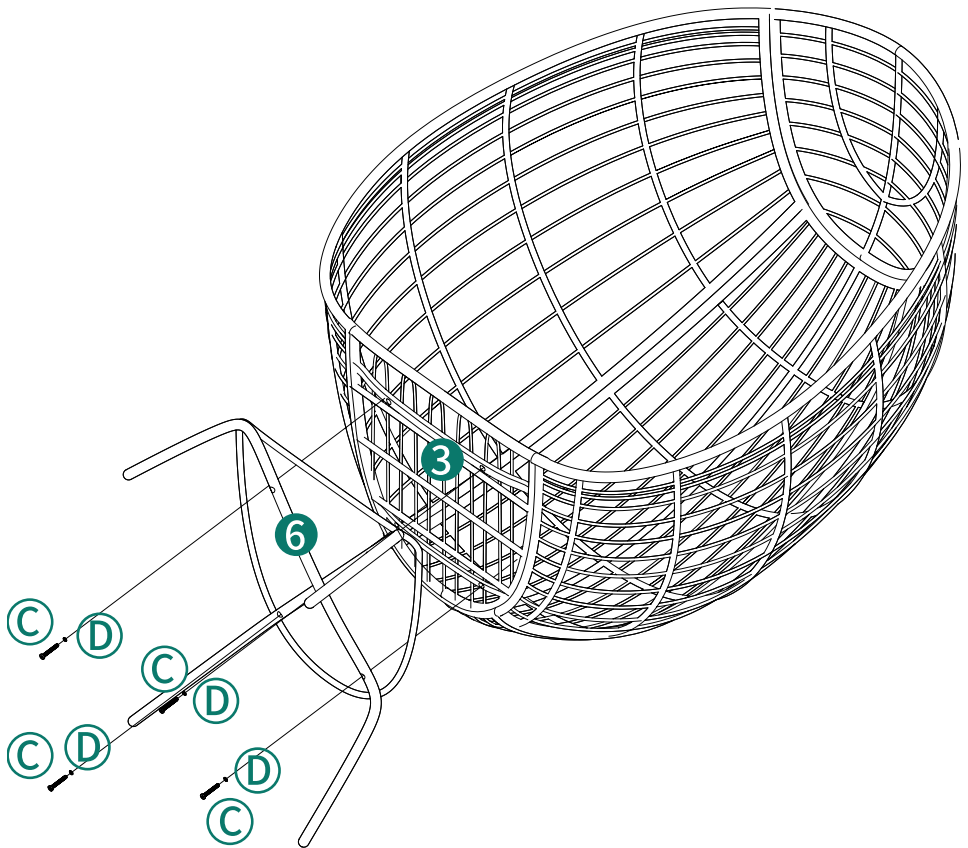
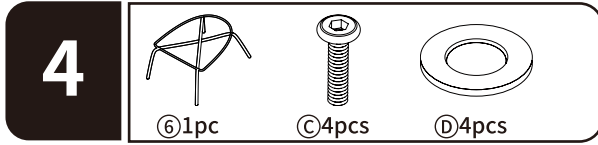


The tube needs to be embeded-installed.



When the tube embeds completely.

# ASSEMBLY INSTRUCTIONS



# ASSEMBLY INSTRUCTIONS

5



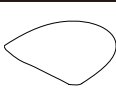
⑦ 1pc



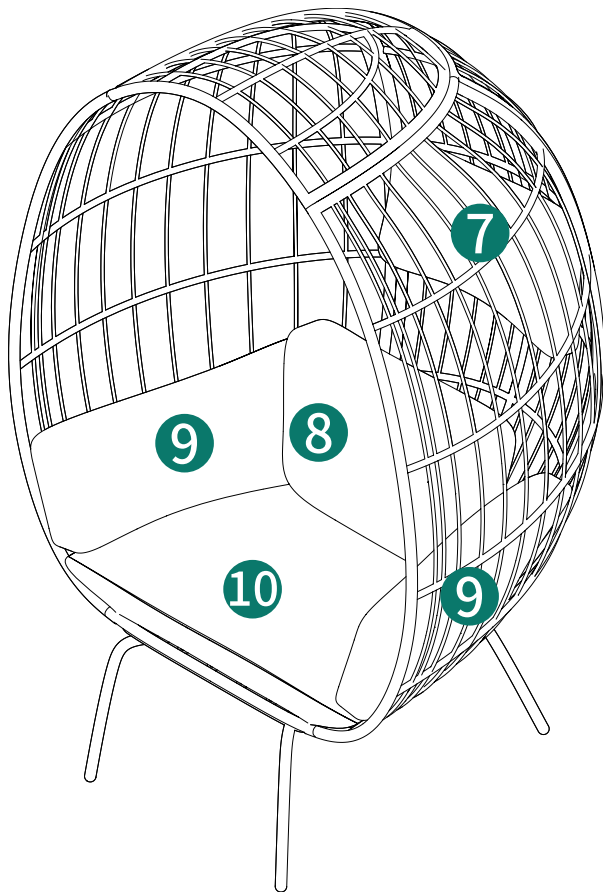
⑧ 1pc



⑨ 2pcs



⑩ 1pc



Put the cushion on the seat

INSTALLATION  
COMPLETED