

NOTICE

*Please make sure that you have all parts indicated and they are in good condition before you begin assembly of this item. Refer to part list and hardware list below for guidance.

*This item should be assembled on a soft surface to prevent scratching the finish during assembly.

*This item may require periodic tightening.

*If you are having difficulty, our friendly Customer Care team is always here to help. Please email customersupport@safavieh.com

PREPARATION

*Before beginning assembly of product, make sure all parts are present. Compare parts with part contents list and hardware contents list.

*If any part is missing or damaged, do not attempt to assemble the product.










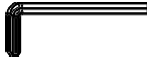
*Tools Required for Assembly (included): Allen Key and Wrench Key

*Estimated Assembly Time: 10 minutes.

CARE AND MAINTENANCE

Store outdoor furniture indoors or cover well when not in use. Dust regularly with small brush or vacuum. Spills should be taken care of immediately before they harden or stain with a slightly damp sponge.

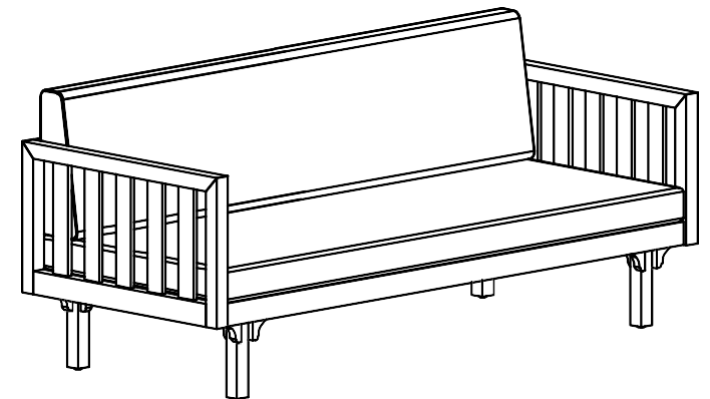
Part List and Hardware List

PIECE	DESCRIPTION	PICTURE	QUANTITY				
A	Seat Panel		1x				
B	Leg		4x				
C	Backrest Panel		1x	G	Back Cushion		1x
D	Left Panel		1x	HW1	Allen bolt M6x40mm		8x
E	Right Panel		1x	HW2	Allen screw M6x45mm		16x
F	Seat Cushion		1x	HW3	Allen Key		1x

Owner Manual

PRODUCT DIMENSIONS:

NAPOLI 3-SEATER BENCH: 67.91"L x 28.35"W x 23.82"H



Weight capacity : 275 Lbs (single seat)
 Warning : Do not stand on chair
 Warning : Do not over torque bolts/screws

PREPARATION

*Before beginning assembly of product, make sure all parts are present. Compare parts with part contents list and hardware contents list.

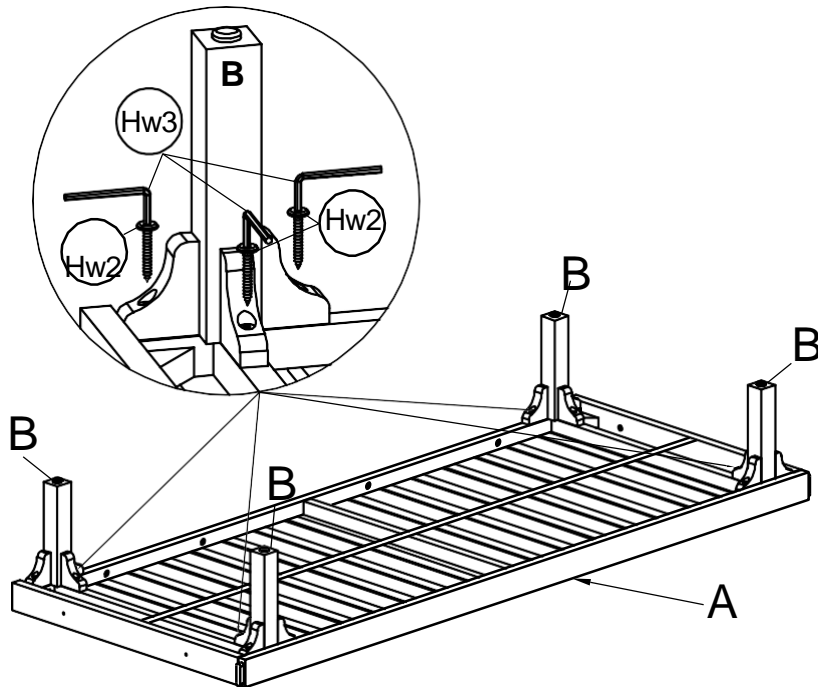
*If any part is missing or damaged, do not attempt to assemble the product.

*Estimated Assembly Time: 10 minutes.

*Tools Required for Assembly (included): Allen Key

*If you are having difficulty, our friendly Customer care team is always here to help.

1

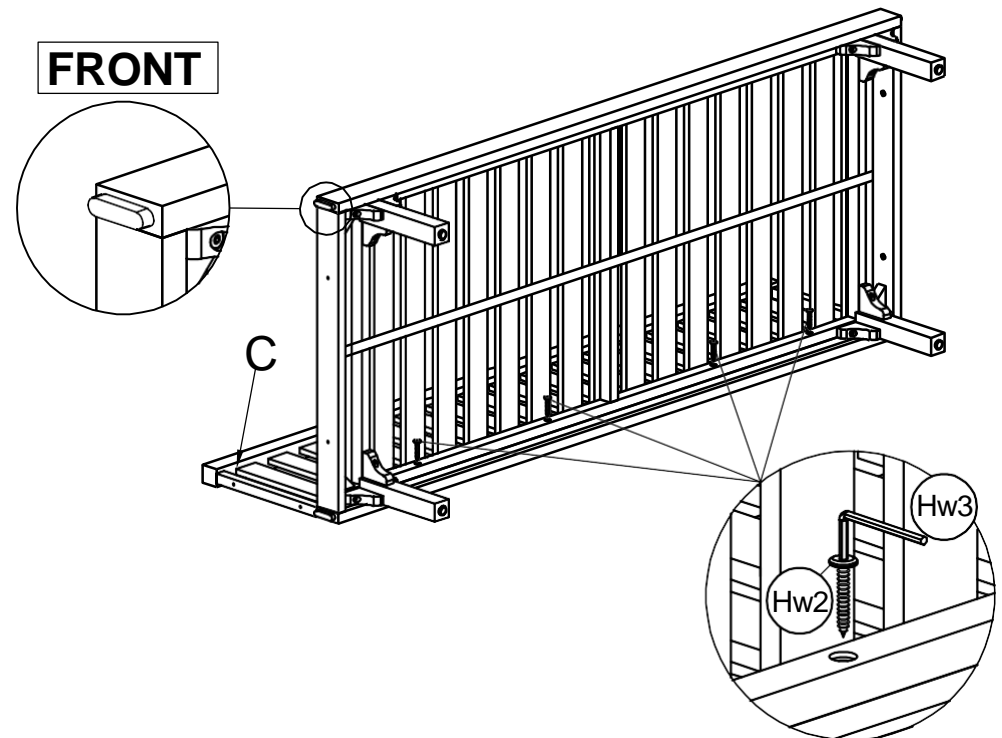


STEP 1: With assistance from your adult partners, position of Seat Panel (A) as shown in the above picture. Assembly Leg (B) with Seat Panel (A) by 3 Allen Screws (HW2) and using Allen Key (HW3) to fit.

Do not fully tighten Screws.

Repeat the same step with the remaining three Legs (B).

2



STEP 2: With assistance from your adult partners, position the back side of Seat Panel (A) to the Backrest Panel (C) as shown in the above picture. Assembly Seat Panel (A) with Backrest Panel (C) by 4 Allen Screws (HW2) and using Allen key (HW3) to fit.

Do not fully tighten Screws.

PREPARATION

*Before beginning assembly of product, make sure all parts are present. Compare parts with part contents list and hardware contents list.

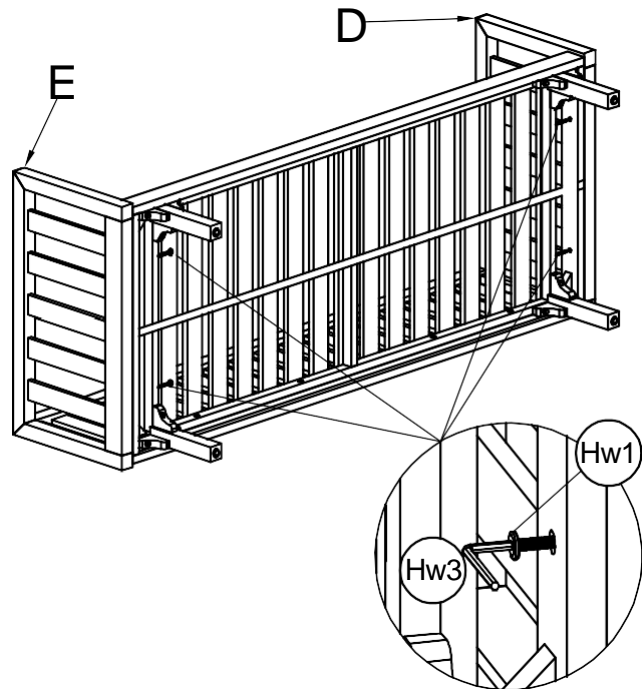
*If any part is missing or damaged, do not attempt to assemble the product.

*Estimated Assembly Time: 10 minutes.

*Tools Required for Assembly (included): Allen Key

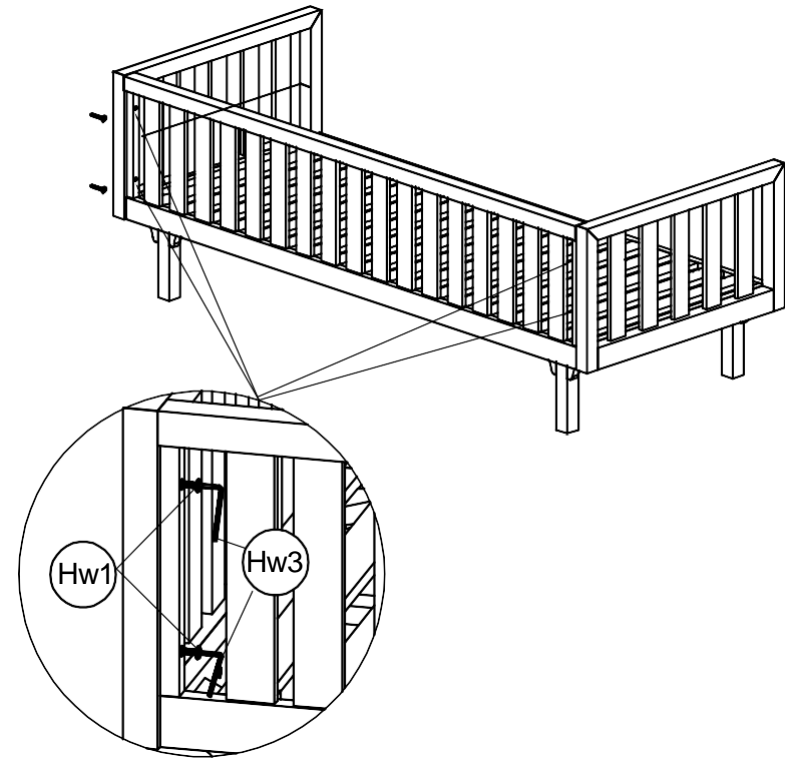
*If you are having difficulty, our friendly Customer care team is always here to help.

3



STEP 3: With assistance from your adult partners, position the Left Panel (D) and the Right Panel (E) into the whole frame of Step as shown above. Next, secure the Left Panel (D) and the Right Panel (E) together parts by 4 Allen bolts (HW1) and using Allen key (HW3).
Do not fully tighten Bolts.

4



STEP 4: With assistance from your adult partners, stand the assembled parts in step 3 up. Assembly Backrest Panel (C) with Left Panel (D) and Right Panel (E) with 4 Allen bolts (HW1) and using Allen Key (HW3) to fit.
Do not fully tighten Bolts.

PREPARATION

*Before beginning assembly of product, make sure all parts are present. Compare parts with part contents list and hardware contents list.

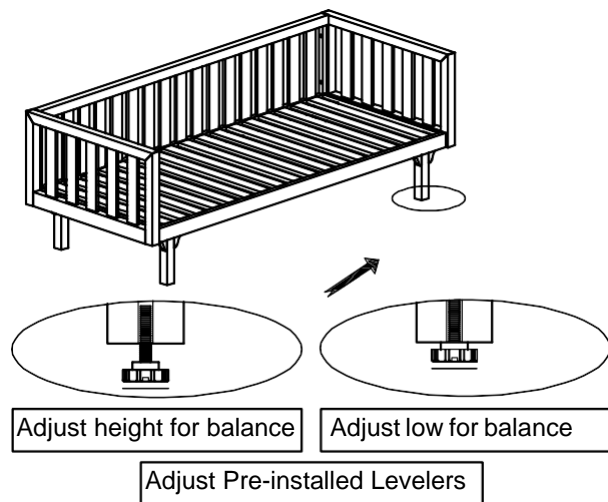
*If any part is missing or damaged, do not attempt to assemble the product.

*Estimated Assembly Time: 10 minutes.

*Tools Required for Assembly (included): Allen Key

*If you are having difficulty, our friendly Customer care team is always here to help.

5



STEP 5: Inspect the Daybed and make sure all parts are connected.

Gently and Gracefully, sit onto the Daybed.

This pressure will help to align all the parts at all the joint areas.

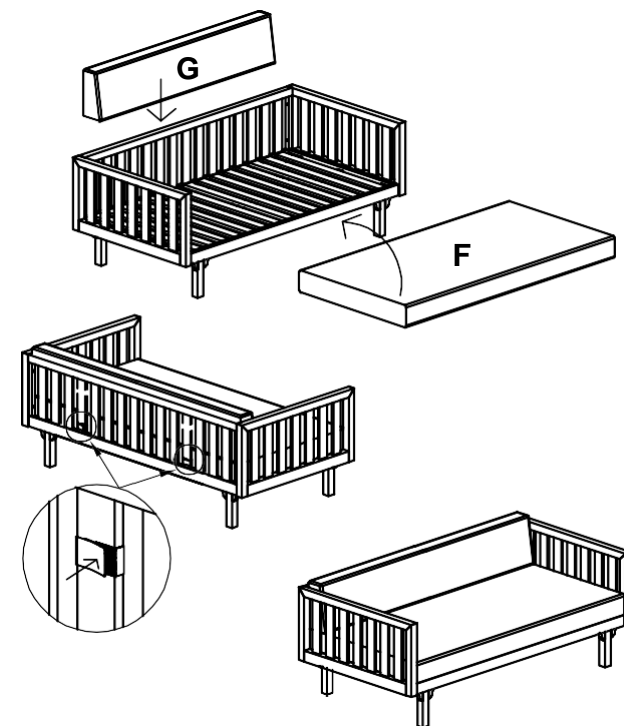
Then get off the Daybed, and in a sequential manner, proceed to tighten all Bolts and Screws.

Whenever moving or lifting the Daybed be sure to secure assistance from your adult partner(s).

When tightening the Bolts and Screws, tighten sequentially.

DO NOT tighten any Bolt or Screw fully and then move on towards the next one.

6



STEP 6: Place Seat Cushion (F) and Back Cushion (G) onto the Daybed.

Tie the magic tape straps of Seat Cushion (F) and Back Cushion (G) and to the slats of Seat Panel (A) and Backrest Panel (C) as shown above.

Place the Daybed on a flat surface for using.