

# ASSEMBLY INSTRUCTIONS



*Fine Furniture for every stage of life*

**Sofa**

REVISION 1: 06/20/2018  
REVISION 2: 05/08/2019  
REVISION 3: 05/16/2023  
REVISION 4: 10/13/2023  
REVISION 5: 10/21/2025

# ASSEMBLY INSTRUCTIONS

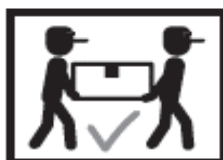
## ASSEMBLY TIPS:

1. Remove hardware from box and sort by size.
2. Please check to see that all hardware and parts are present prior to start of assembly.
3. Please follow attached instructions in the same sequence as numbered to assure fast & easy assembly.



### WARNING!

1. Don't attempt to repair or modify parts that are broken or defective. Please contact the store immediately.
2. This product is for home use only and not intended for commercial establishments.

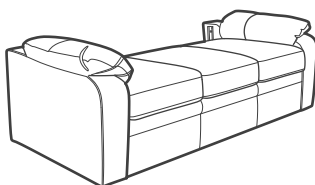


ASSEMBLY TIME

10 MINUTES

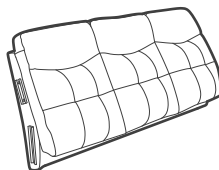
## PARTS IDENTIFICATION

AV BASE



1PC

BV BACK



1PC

CV LEFT EAR



1PC

DV RIGHT EAR



1PC

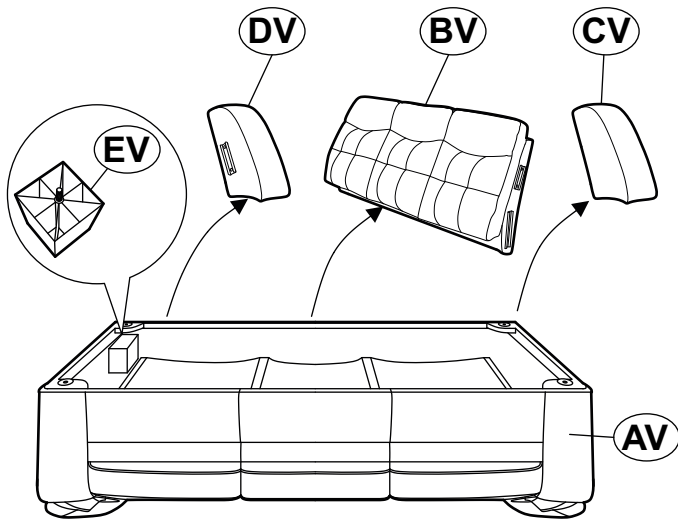
EV LEG



4PCS

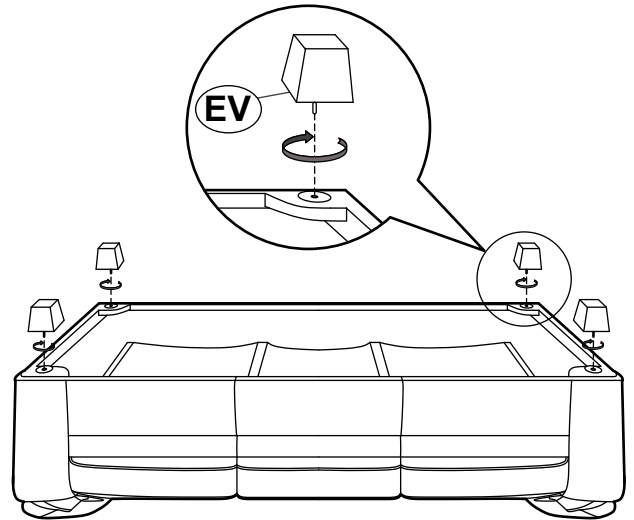
# ASSEMBLY INSTRUCTIONS

## STEP 1

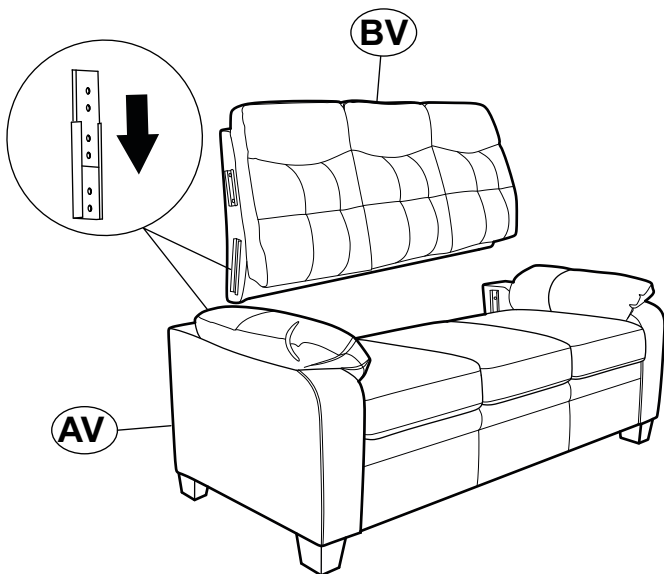


\*\*BOTTOM VIEW

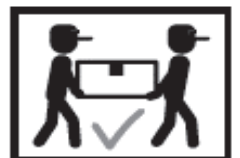
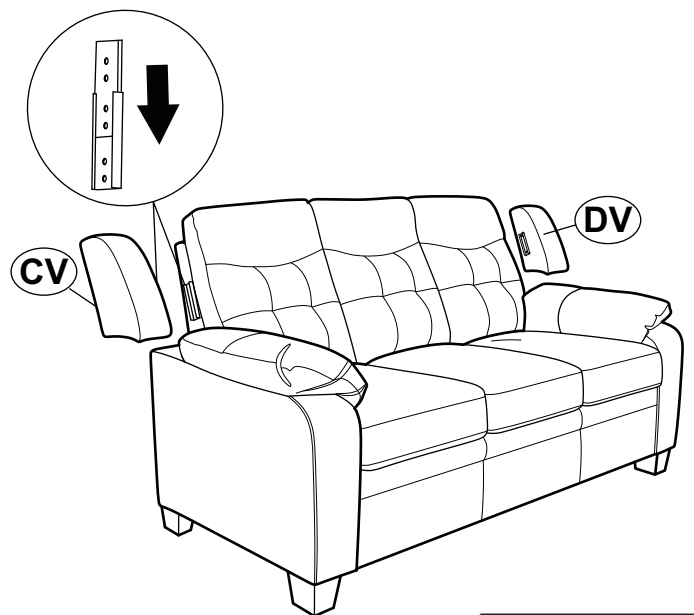
## STEP 2

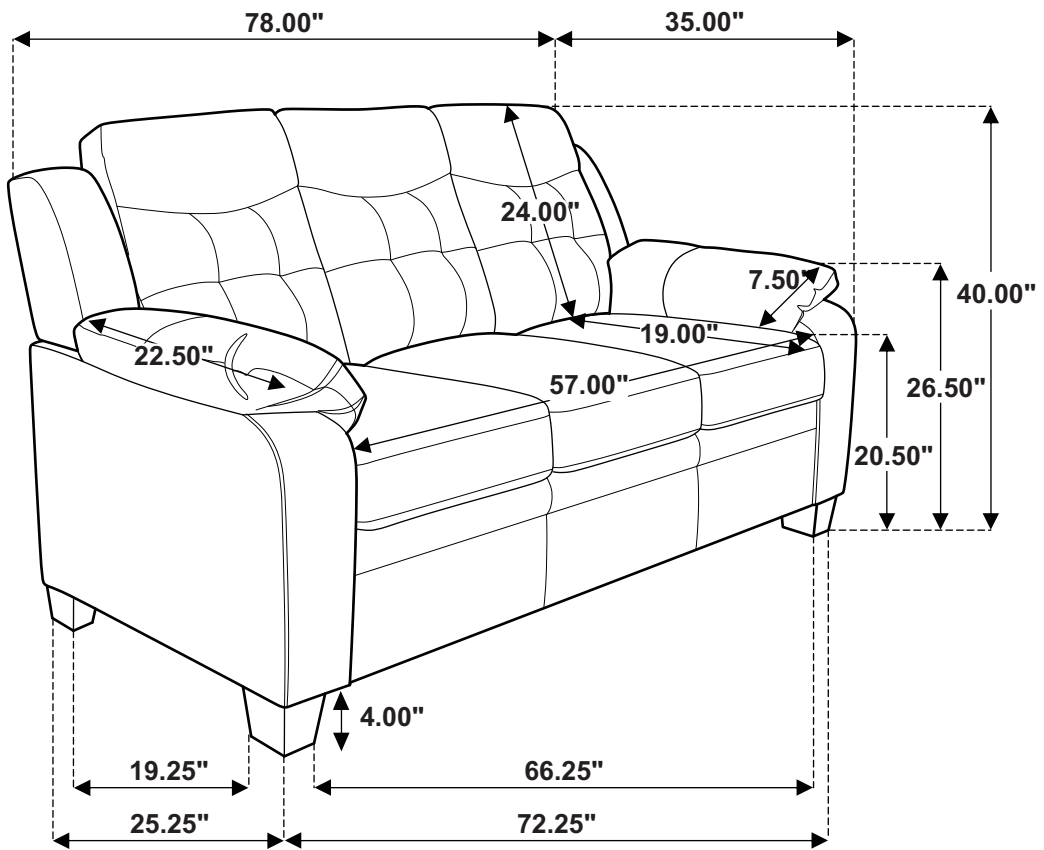


## STEP 3



## STEP 4 COMPLETE





**Note: Dimension tolerance  $\pm 5\%$**

# *ASSEMBLY INSTRUCTIONS*



*Fine Furniture for every stage of life*

**LoveSeat**

REVISION 1: 06/20/2018  
REVISION 2: 05/08/2019  
REVISION 3: 05/16/2023  
REVISION 4: 10/13/2023  
REVISION 5: 10/21/2025

# ASSEMBLY INSTRUCTIONS

## ASSEMBLY TIPS:

1. Remove hardware from box and sort by size.
2. Please check to see that all hardware and parts are present prior to start of assembly.
3. Please follow attached instructions in the same sequence as numbered to assure fast & easy assembly.



### WARNING!

1. Don't attempt to repair or modify parts that are broken or defective. Please contact the store immediately.
2. This product is for home use only and not intended for commercial establishments.

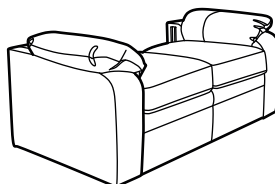


ASSEMBLY TIME

10 MINUTES

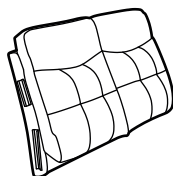
## PARTS IDENTIFICATION

AV BASE



1PC

BV BACK



1PC

CV LEFT EAR



1PC

DV RIGHT EAR



1PC

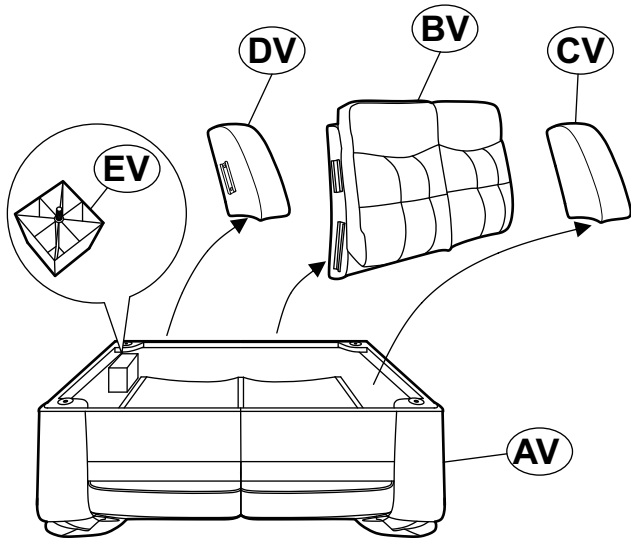
EV LEG



4PCS

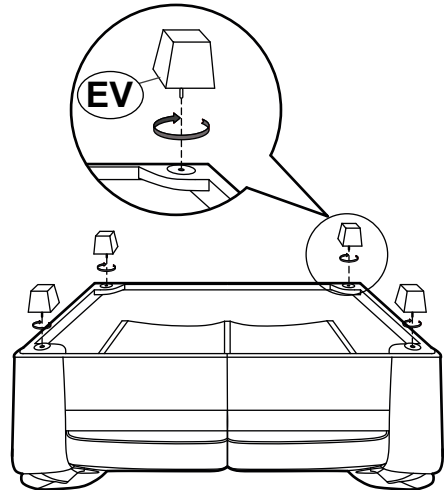
# ASSEMBLY INSTRUCTIONS

## STEP 1

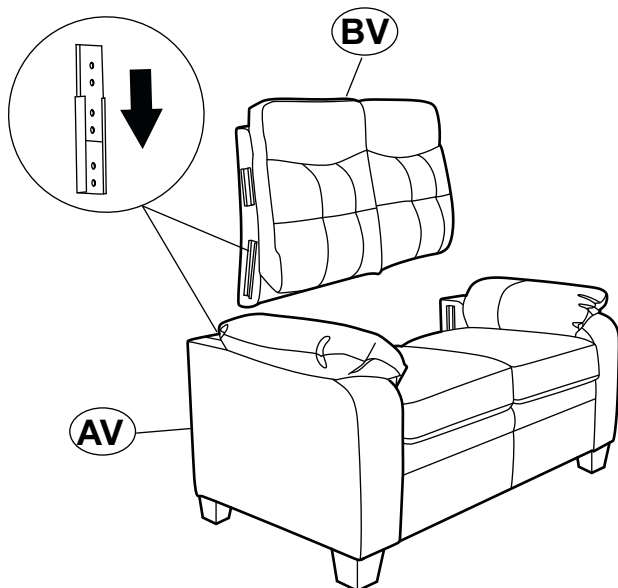


\*\*BOTTOM VIEW

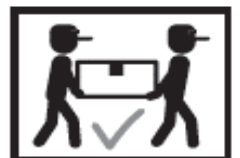
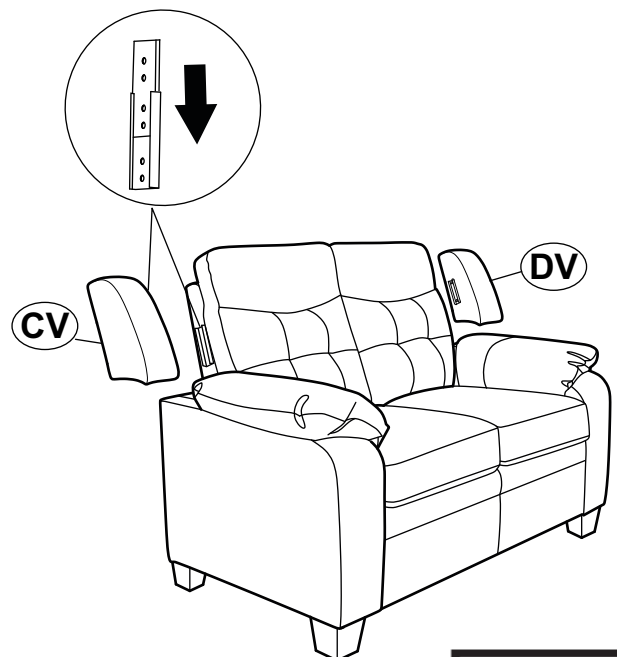
## STEP 2

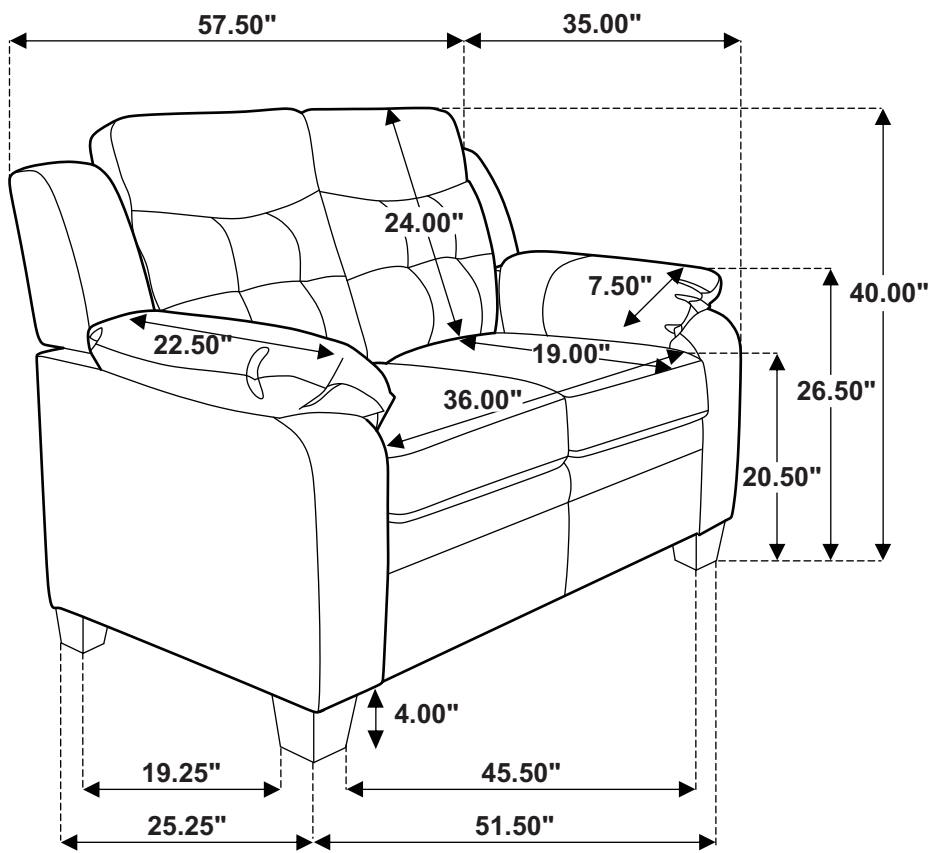


## STEP 3



## STEP 4 COMPLETE





**Note: Dimension tolerance  $\pm 5\%$**