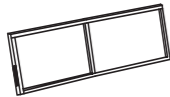
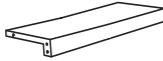








ITM.92005 LOVESEAT

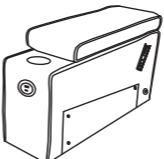
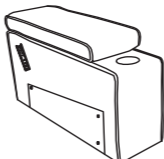
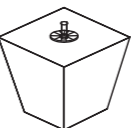

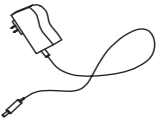

ASSEMBLY INSTRUCTION

BOX-A Loveseat

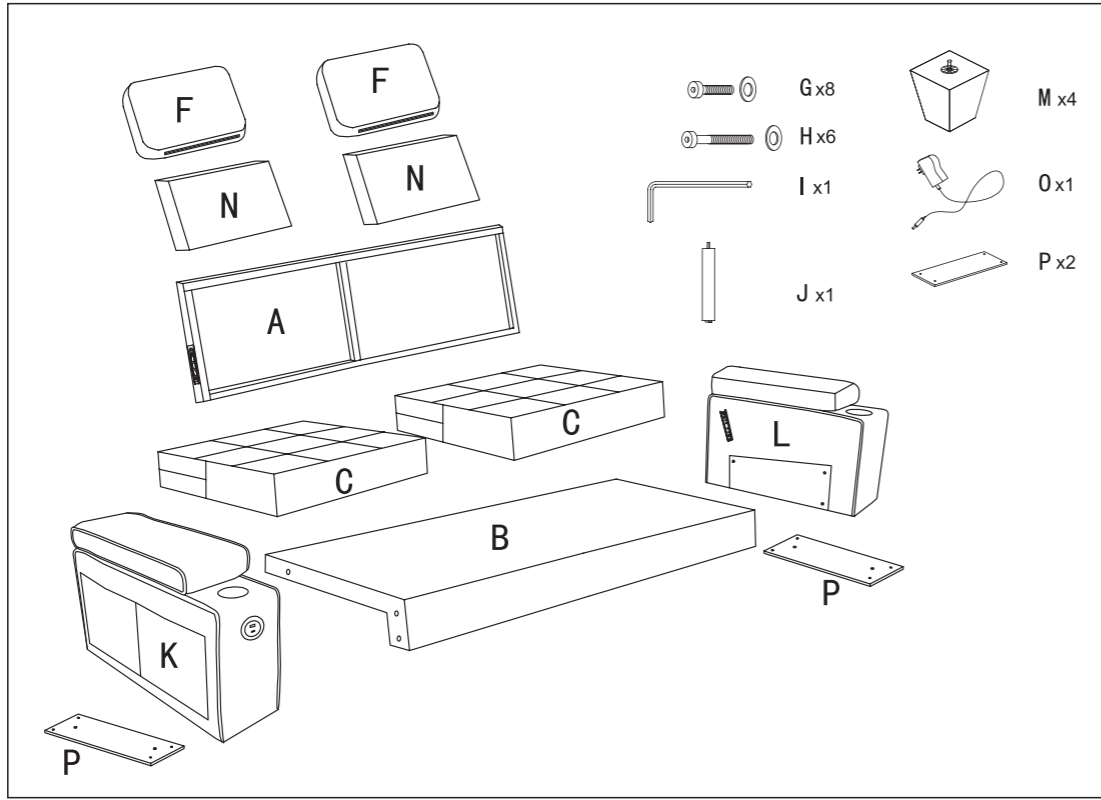
A	B	C	F	G
				
x1	x1	x2	x2	M8*30mm x8
Back bracket	Seat frame	Seat cushion	Back cushion cover	Bolt
H	I	J		
				
M8*55mm x6	x1	H240mm x1		
Bolt	Allen Key	Middle leg		

1

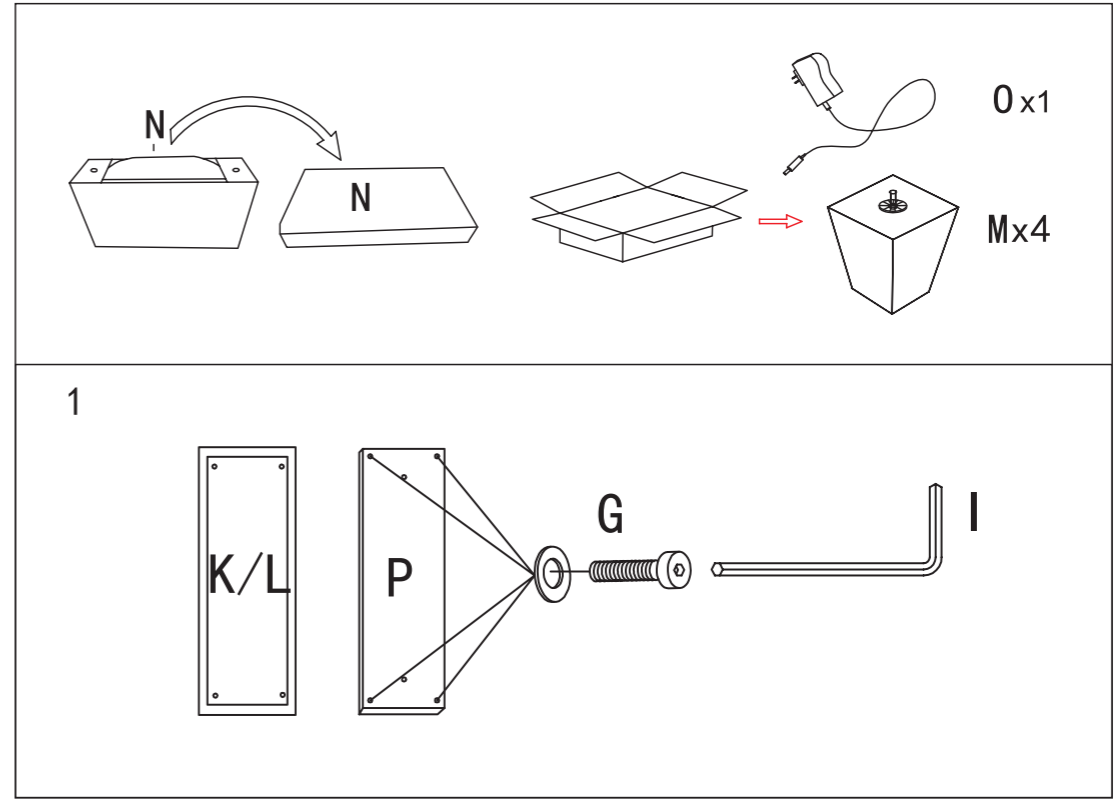
BOX-B

K	L	M	N	O
				
x1	x1	x4	x2	x1
Handrail	Handrail	Feet	Back cushion	Power cord
P				
				
x2				
Handrail bottom plate				

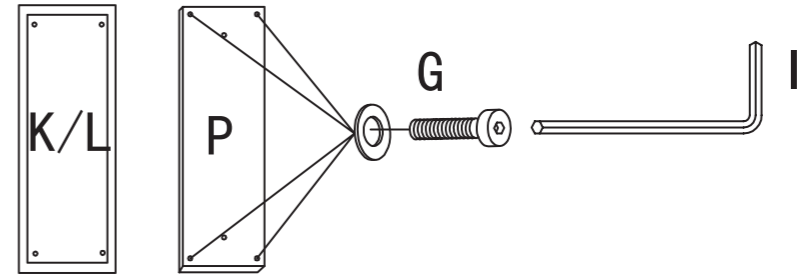
2



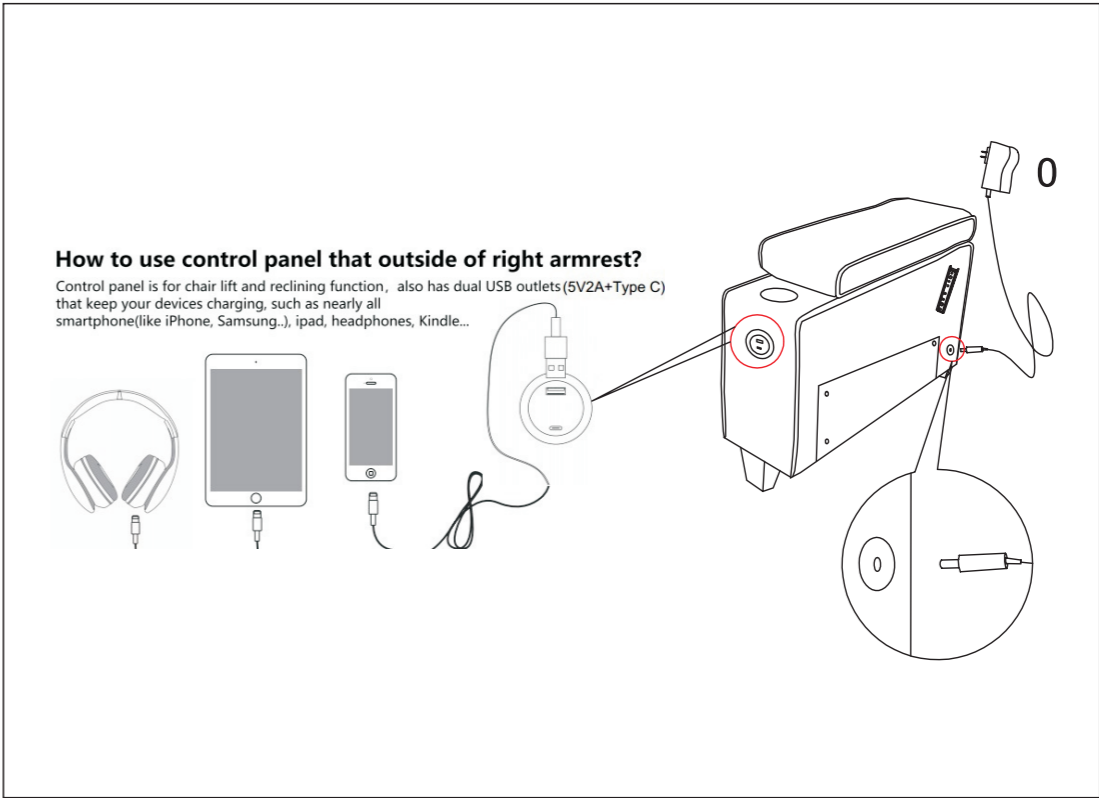
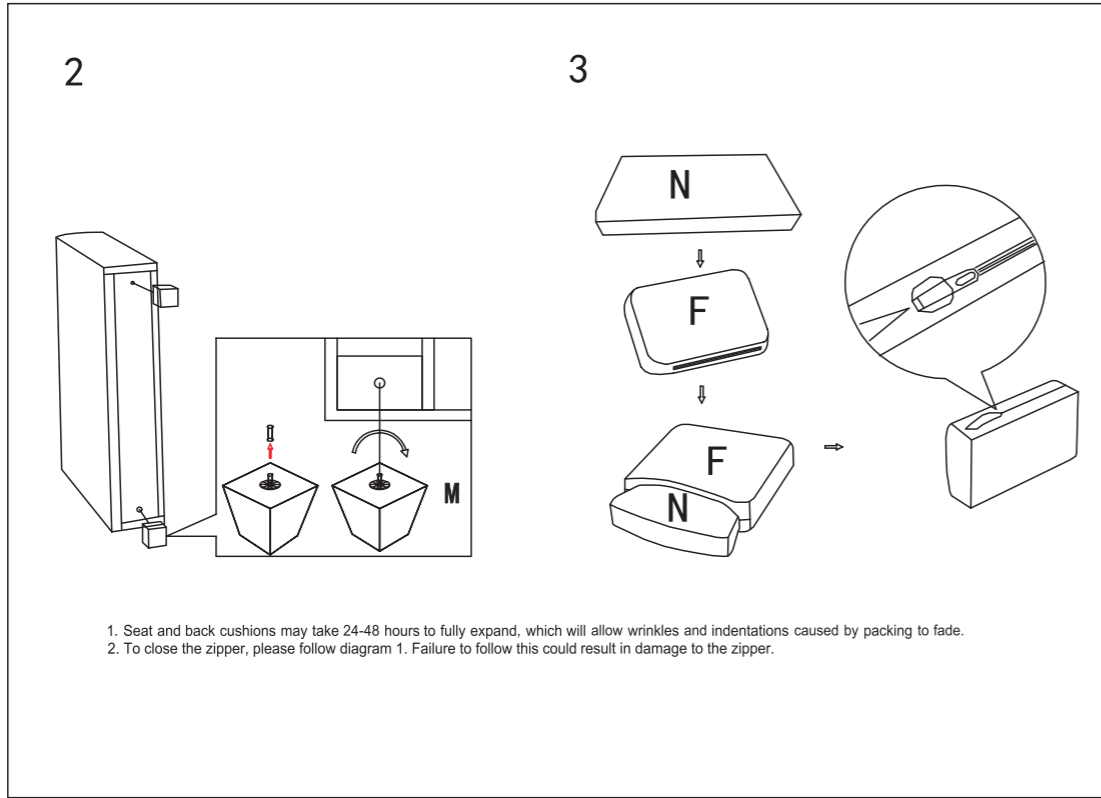
3

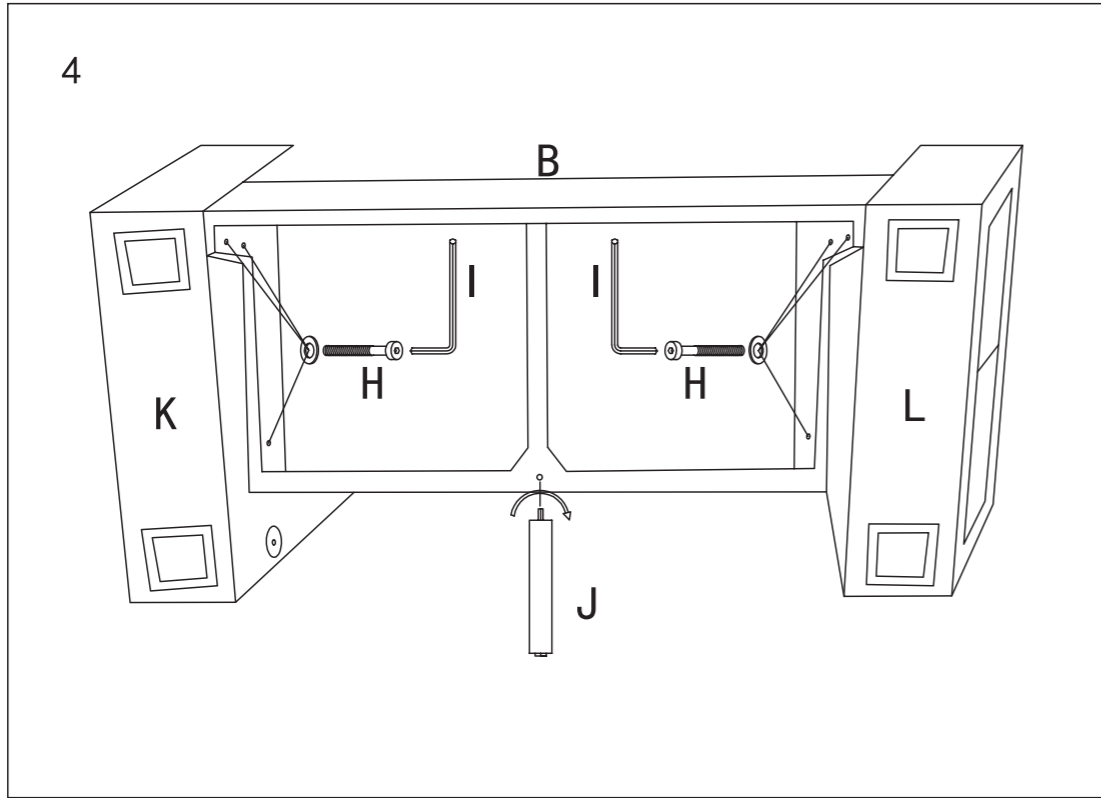


1

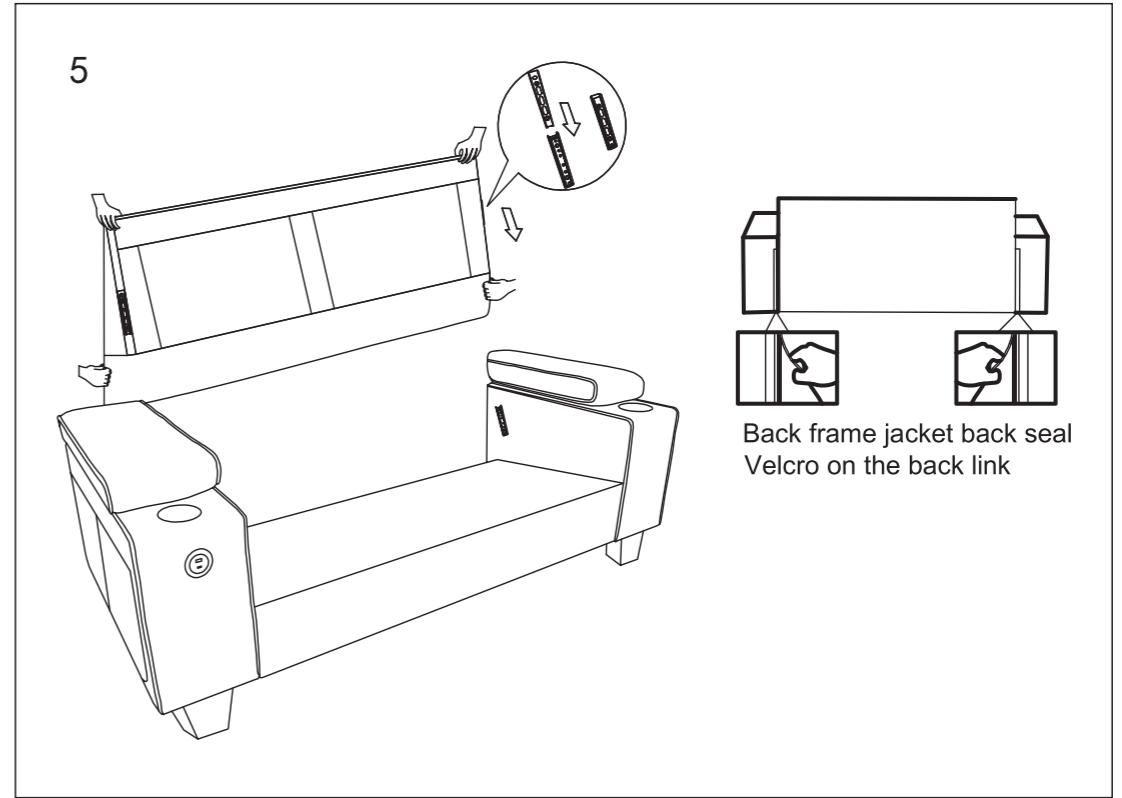


4

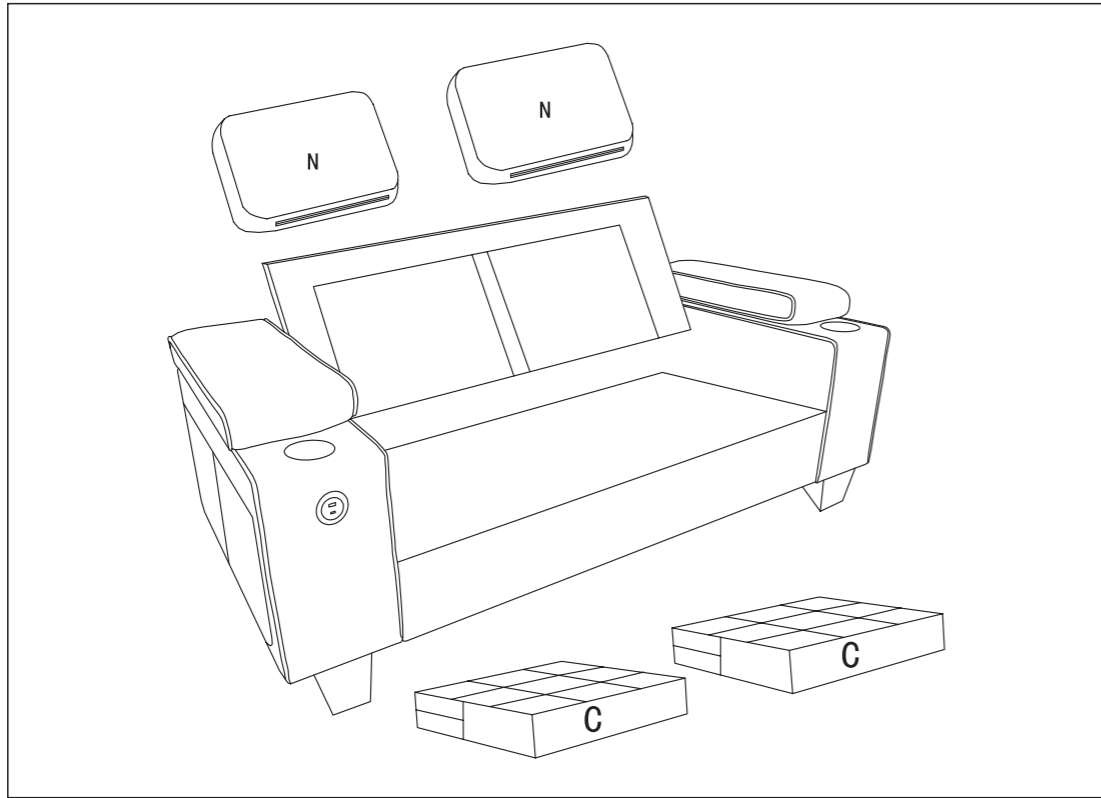




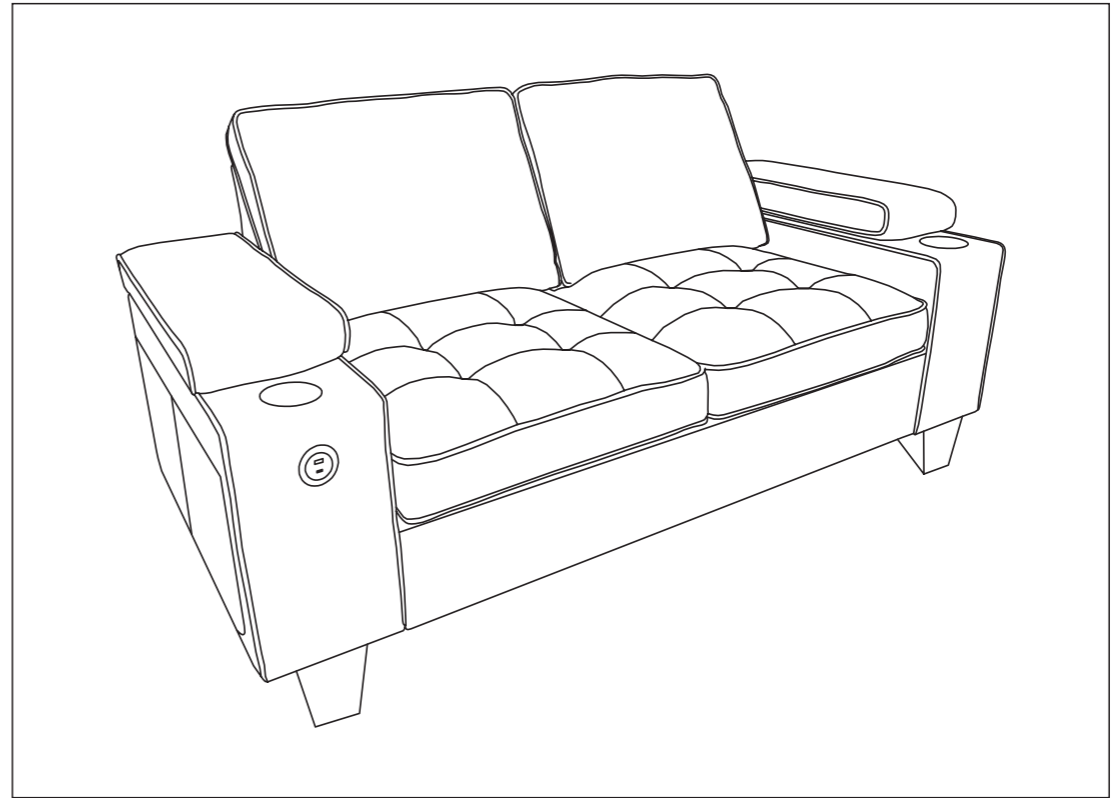
7



8



9



10