

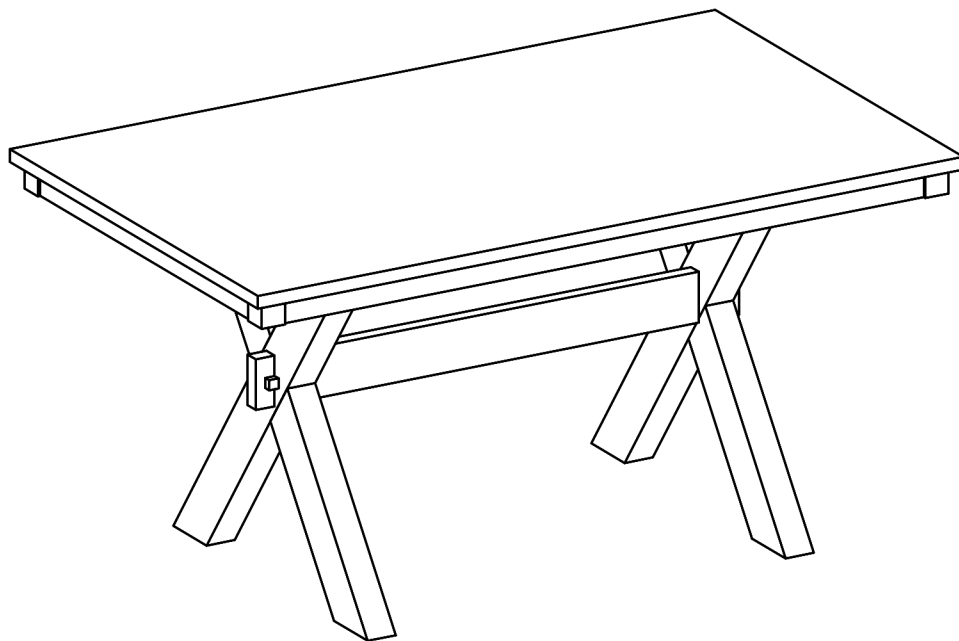
ASSEMBLY INSTRUCTIONS

TOOLS REQUIRED



Allen Wrench

(Included)



2 - People
Recommended

ASSEMBLY RATING



EASY —————> DIFFICULT

The Assembly Rating is a 5-point system showing the level of effort needed to assemble a specific product.



CHECK BEFORE STARTING

Are you missing anything?

Double-check all parts, hardware and accessories listed on Page 6 are accounted for.

Should we send any replacements?

Are there any irregularities or flaws in the parts? We can send replacements!

Check out our Quick Tips!

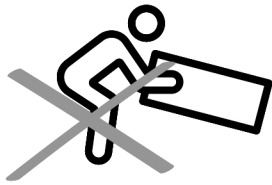
We recommend reviewing the pre-assembly handouts. Even experts need a refresher now and then!

Prep Time!

Please review the assembly instructions and all diagrams prior to assembling. Arrange parts as recommended on Page 7 and group identical hardware together to make assembling easier.

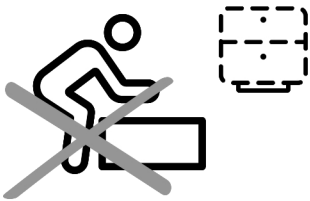
PRE ASSEMBLY INTRODUCTION

We understand building ready-to-assemble furniture can be a challenging experience for some. To help avoid confusion, we have provided some helpful tips that may speed up the process.



Teamwork

ALWAYS have at least two people to help with transporting and assembling the product to avoid potential injury and/or damage.



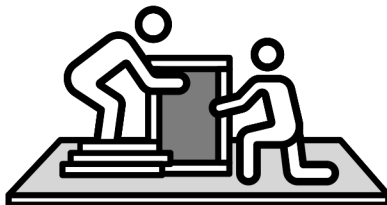
Suitable Location

Assembling near the area of the intended location is highly recommended.



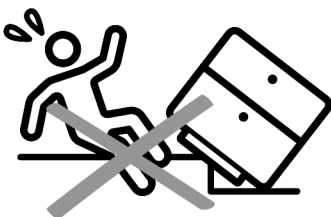
Sufficient Space

Make sure you have enough space to move around during the assembly.



Avoid Scratches

Use cardboard, blankets or a carpeted area while assembling furniture to prevent scratches.



Flat Surface

Make sure the furniture rests on a flat and level surface with each leg evenly touching the floor.

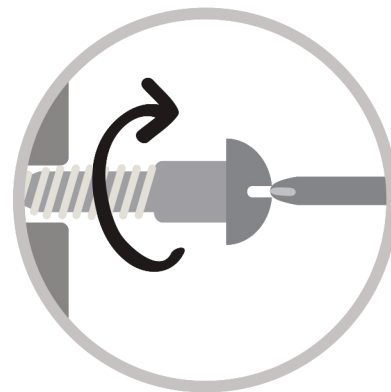
ASSEMBLY AND CARE ADVICE



FAILURE TO FOLLOW THE GUIDELINES BELOW MAY RESULT IN INJURY AND/OR PROPERTY DAMAGE.



Position each part correctly and insert screws or bolts into their respective holes.



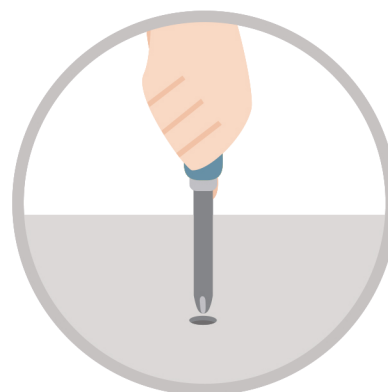
Turn clockwise to tighten and only tighten when step is completed or when instructed to do so.



Use the appropriate hand tools or power tools for assembly. Select steps, such as tightening screws and/or bolts, may require hand tools to avoid causing damage during assembly.



Save the instructions and store any supplied tools for later maintenance.



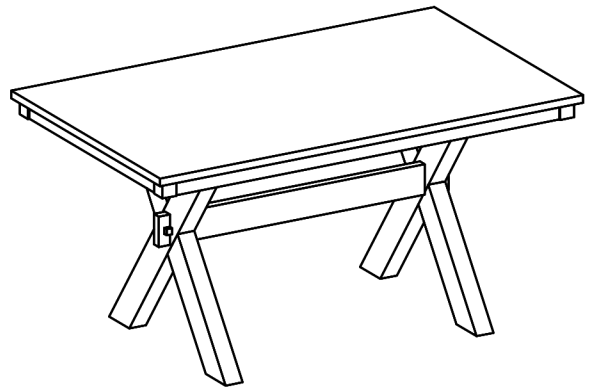
After two weeks, check and tighten any loose hardware and repeat again every six months thereafter.

IT IS THE USER'S RESPONSIBILITY TO MAINTAIN THE FURNITURE. THE HARDWARE MAY LOOSEN OVER TIME AND MAY CAUSE THE FURNITURE TO BE WOBBLY AND UNABLE TO SUPPORT ITS INTENDED WEIGHT CAPACITY. THIS MAY LEAD TO COLLAPSE AND MAY CAUSE SERIOUS INJURY.

TABLE



- Please keep instructions for future reference.
- Check the quantity and irregularity of parts and hardware before you start.



PARTS

#1 1pc

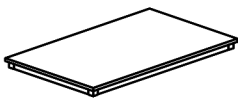


Table Top

#2 2pcs



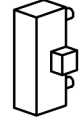
Table leg

#3 1pc



Cross Bar

#4 2pcs



Finial

HARDWARE

#A 4pcs



Bolt $\varnothing 1/4"$ x 3-1/2"

#B 4pcs



Hex Nut

#C 4pcs



Lock Washer $\varnothing 1/4"$

#D 4pcs



Flat Washer $\varnothing 1/4"$

#E 1pc



Allen Key 4mm

#F 8pcs



Bolt $\varnothing 1/4"$ x 3-1/2"

#G 8pcs

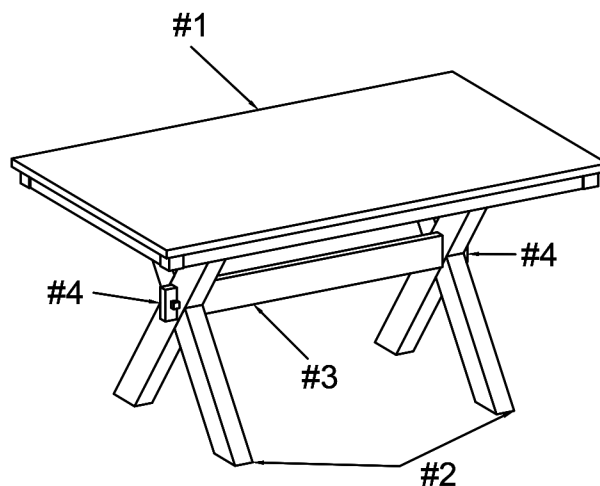


Lock Washer $\varnothing 1/4"$

#J 8pcs



Flat Washer $\varnothing 1/4"$



ASSEMBLY INSTRUCTIONS

1

Part #2 x2pcs

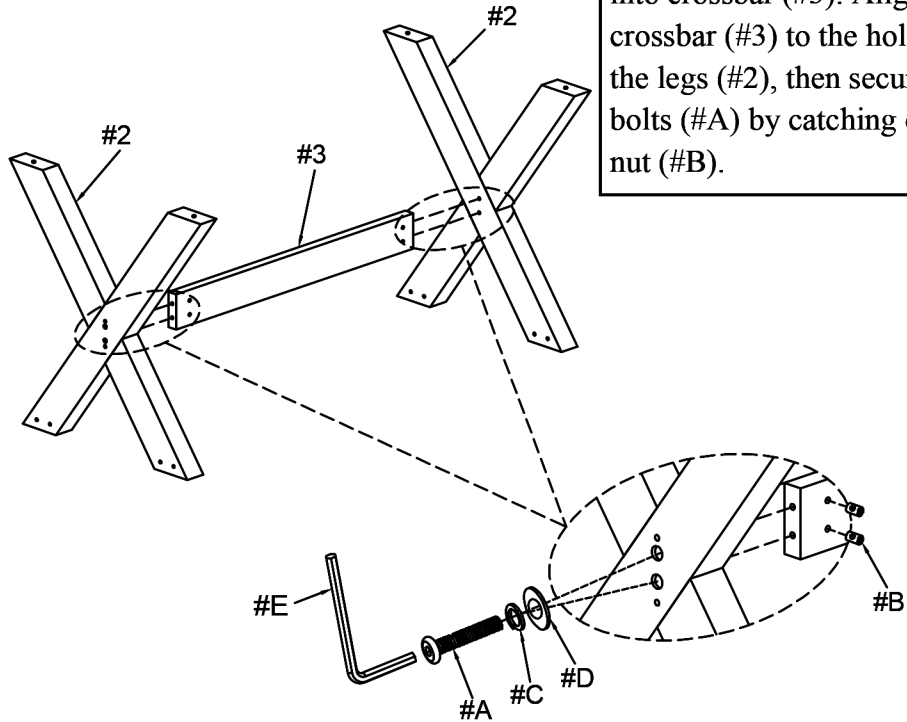
Part #3 x1pc

Hardware #A x4pcs

Hardware #B x4pcs

Hardware #C x4pcs

Hardware #D x4pcs



Prepare 4 bolts assembly by inserting lock washer (#C), then flat washer (#D) onto bolts (#A). Insert nuts (#B) into crossbar (#3). Align crossbar (#3) to the holes of the legs (#2), then secure with bolts (#A) by catching onto nut (#B).

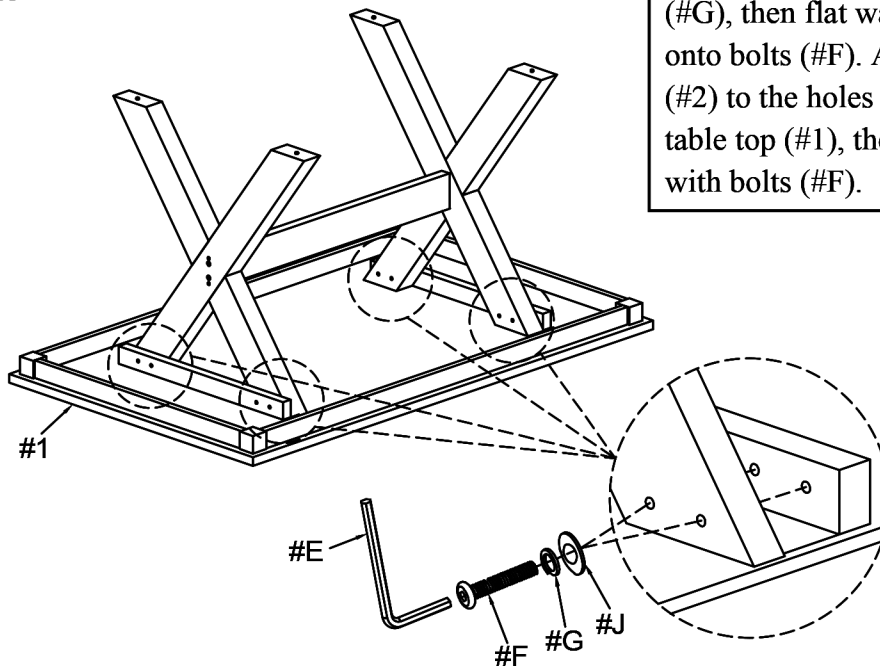
2

Part #1 x1pc

Hardware #F x8pcs

Hardware #G x8pcs

Hardware #J x8pcs



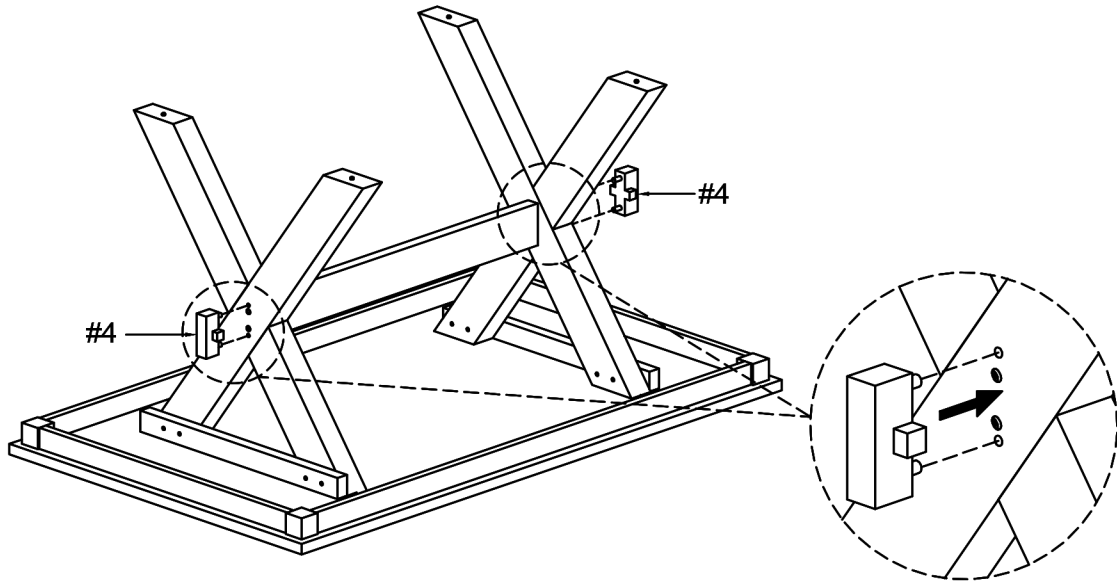
Prepare 8 bolts assembly by inserting lock washer (#G), then flat washer (#J) onto bolts (#F). Align legs (#2) onto the holes of the table top (#1), then secure with bolts (#F).

ASSEMBLY INSTRUCTIONS

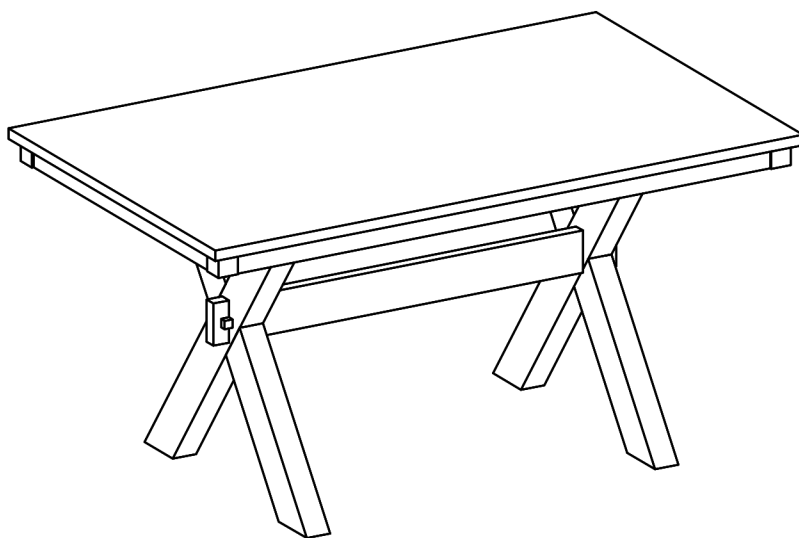
3

Part #4 x2pcs

Attach the decorative block (#4) over the bolts of the legs (#2).



4



ASSEMBLY COMPLETED



Please ensure the furniture rests on an even and flat surface. If the product wobbles or feels loose, double-check all bolts and/or screws are properly tightened and secured.



Keep this handy!

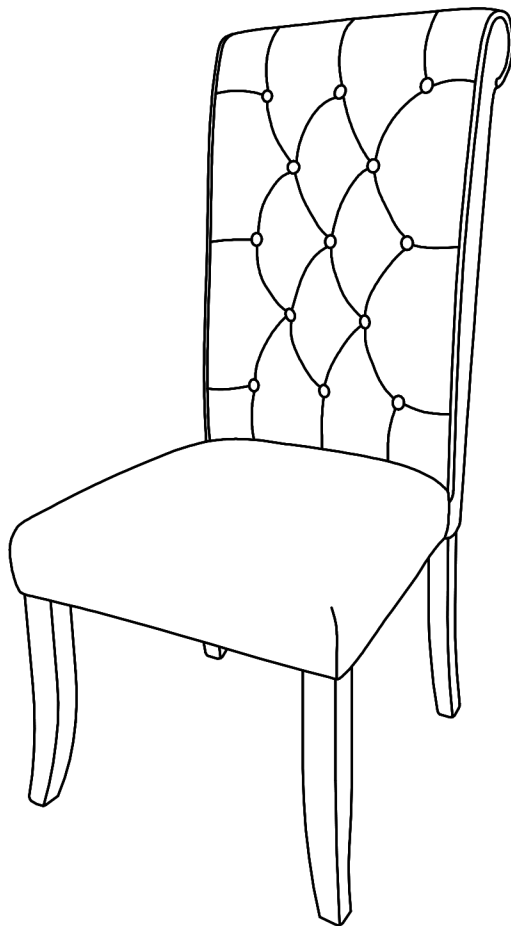
Please retain this instruction manual and any order-related information for future reference.



Lift, don't drag!

To avoid damage to product please always LIFT the product when transporting or adjusting the placement.

ASSEMBLY INSTRUCTIONS



TOOLS REQUIRED



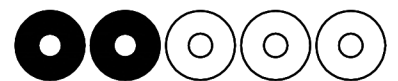
Allen Wrench

(Included)



2 - People
Recommended

ASSEMBLY RATING



EASY —————> DIFFICULT

The Assembly Rating is a 5-point system showing the level of effort needed to assemble a specific product.



CHECK BEFORE STARTING

Are you missing anything?

Double-check all parts, hardware and accessories listed on Page 6 are accounted for.

Should we send any replacements?

Are there any irregularities or flaws in the parts? We can send replacements!

Check out our Quick Tips!

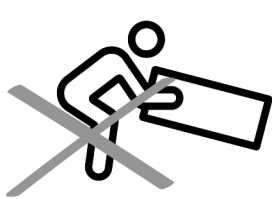
We recommend reviewing the pre-assembly handouts. Even experts need a refresher now and then!

Prep Time!

Please review the assembly instructions and all diagrams prior to assembling. Arrange parts as recommended on Page 7 and group identical hardware together to make assembling easier.

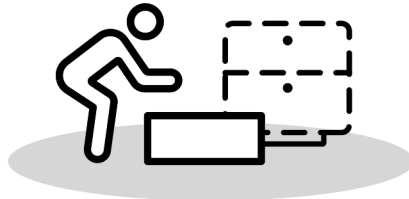
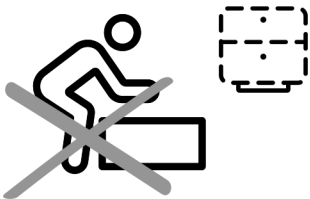
PRE ASSEMBLY INTRODUCTION

We understand building ready-to-assemble furniture can be a challenging experience for some. To help avoid confusion, we have provided some helpful tips that may speed up the process.



Teamwork

ALWAYS have at least two people to help with transporting and assembling the product to avoid potential injury and/or damage.



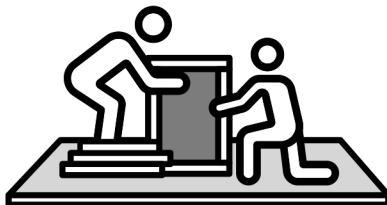
Suitable Location

Assembling near the area of the intended location is highly recommended.



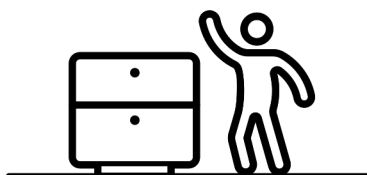
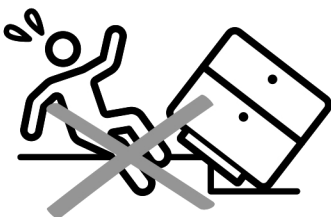
Sufficient Space

Make sure you have enough space to move around during the assembly.



Avoid Scratches

Use cardboard, blankets or a carpeted area while assembling furniture to prevent scratches.



Flat Surface

Make sure the furniture rests on a flat and level surface with each leg evenly touching the floor.

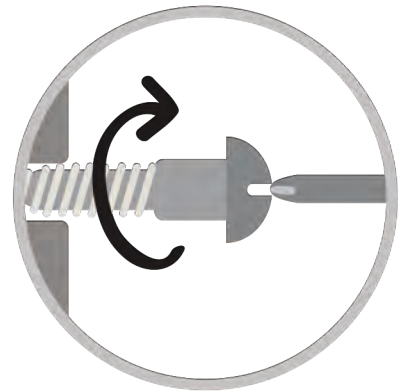
ASSEMBLY AND CARE ADVICE



FAILURE TO FOLLOW THE GUIDELINES BELOW MAY RESULT IN INJURY AND/OR PROPERTY DAMAGE.



Position each part correctly and insert screws or bolts into their respective holes.



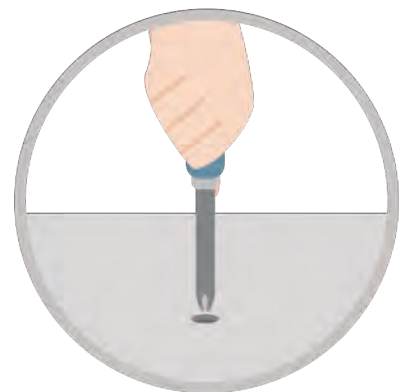
Turn clockwise to tighten and only tighten when step is completed or when instructed to do so.



Use the appropriate hand tools or power tools for assembly. Select steps, such as tightening screws and/or bolts, may require hand tools to avoid causing damage during assembly.



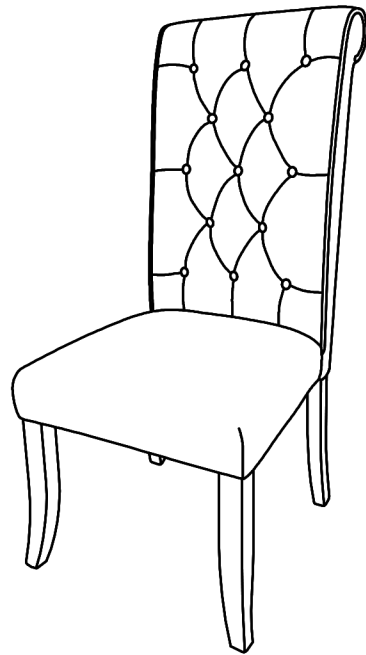
Save the instructions and store any supplied tools for later maintenance.



After two weeks, check and tighten any loose hardware and repeat again every six months thereafter.

IT IS THE USER'S RESPONSIBILITY TO MAINTAIN THE FURNITURE. THE HARDWARE MAY LOOSEN OVER TIME AND MAY CAUSE THE FURNITURE TO BE WOBBLY AND UNABLE TO SUPPORT ITS INTENDED WEIGHT CAPACITY. THIS MAY LEAD TO COLLAPSE AND MAY CAUSE SERIOUS INJURY.

CHAIR



x 2



- Please keep instructions for future reference.
- Check the quantity and irregularity of parts and hardware before you start.

PARTS

#1 1pc x 2



Backrest w/Legs

#2 1pc x 2



Seat Cushion

#3 2pcs x 2



Front Leg

HARDWARE

#A 10pcs x 2



Flat Washer 5/16"

#B 10pcs x 2



Lock Washer 5/16"

#C 6pcs x 2



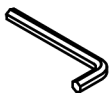
Bolt 5/16"x 2"

#D 4pcs x 2



Bolt 5/16"x3-1/2"

#E 1pc x 2



Allen Wrench M5

#F 1pc x 2



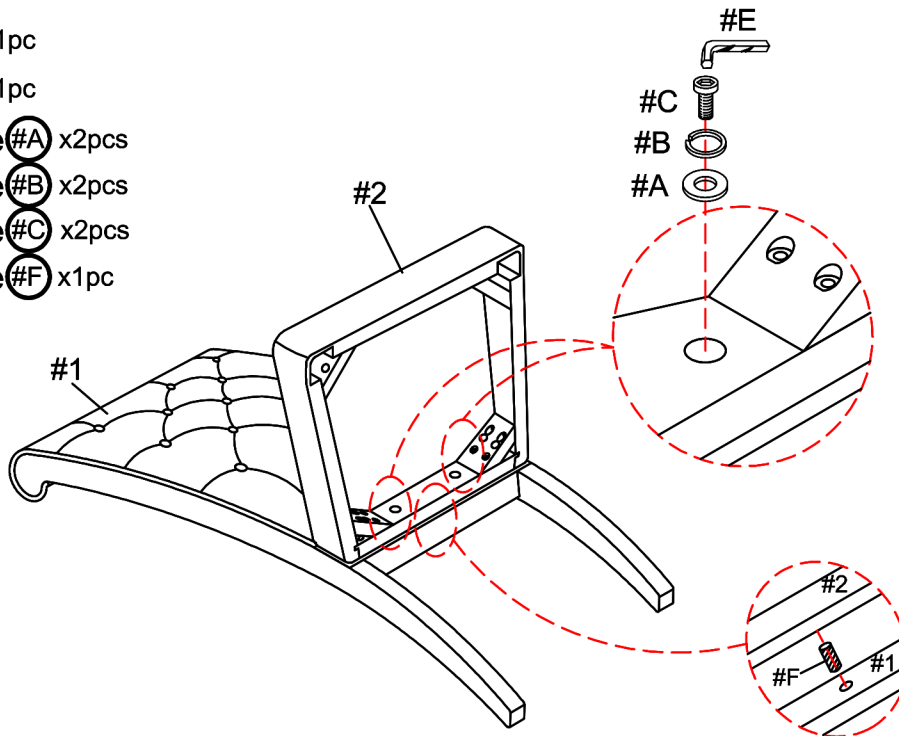
Wood Dowel

ASSEMBLY INSTRUCTIONS

1

1. Carefully place the backrest w/legs (#1) onto a protected surface.
2. Align the pre-drilled holes on the back side of the seat (#2) to the pre-drilled holes along the front of the backrest w/legs (#1)

- Part #1 x1pc
- Part #2 x1pc
- Hardware #A x2pcs
- Hardware #B x2pcs
- Hardware #C x2pcs
- Hardware #F x1pc

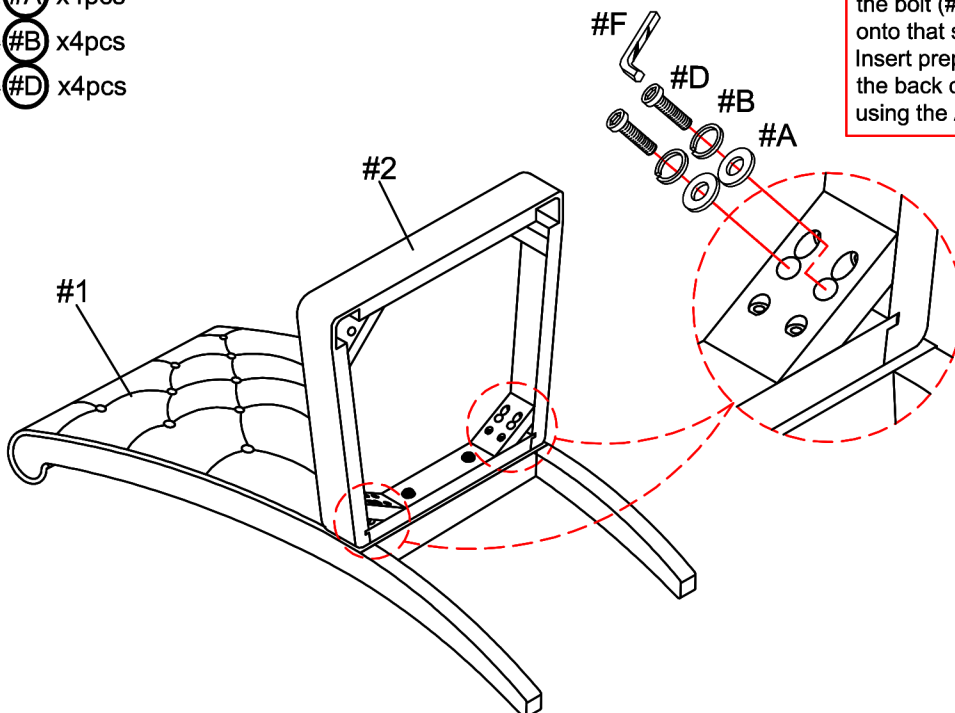


3. Prepare 2 bolt assemblies by first inserting a lock washer (#B) onto the bolt (#C) then a flat washer (#A) onto that same bolt (#C), in that order. Insert into the 2 center holes and secure using the Allen wrench (#E).

Insert wood dowel (#F) to the middle hole of the seat cushion (#2).

2

- Hardware #A x4pcs
- Hardware #B x4pcs
- Hardware #D x4pcs



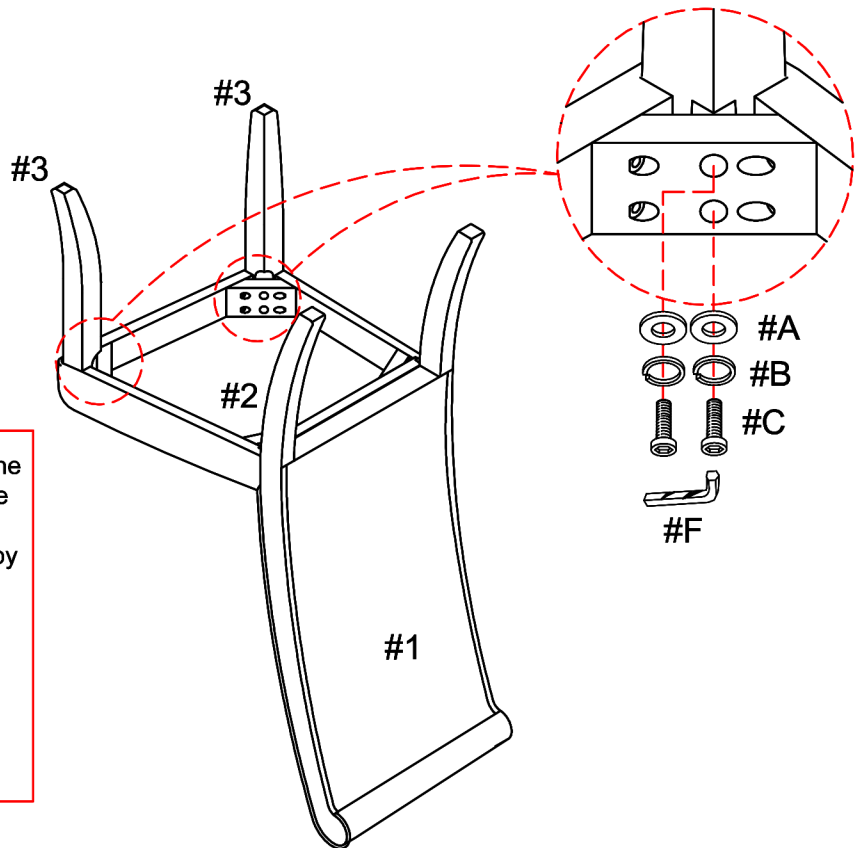
- Prepare 4 bolt assemblies by first inserting a lock washer (#B) onto the bolt (#D) then a flat washer (#A) onto that same bolt (#D), in that order. Insert prepared bolt assemblies into the back corner holes and secure using the Allen wrench (#E).

ASSEMBLY INSTRUCTIONS

3

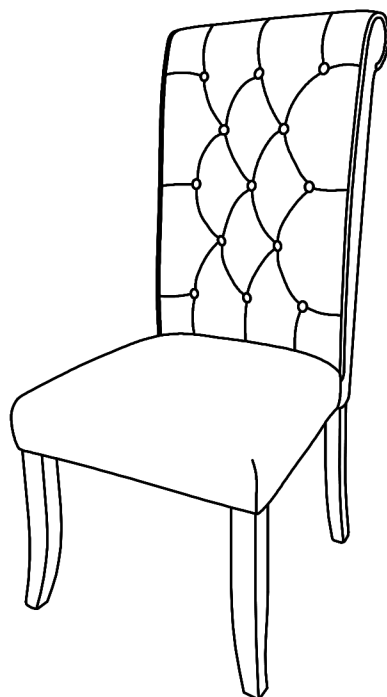
Hardware #A x4pcs
Hardware #B x4pcs
Hardware #C x4pcs

1. Align the front legs (#3) to the pre-drilled holes located on the front corners of the seat (#2).
2. Prepare 4 bolt assemblies by first inserting a lock washer (#B) onto the bolt (#C) then a flat washer (#A) onto that same bolt (#C), in that order. Insert into the front corner holes and secure using the Allen wrench (#E).



4

Carefully turn the completed chair upright. Make sure the chair is rested on a flat surface and does not feel loose or wobbly. If it does, double check that the bolts are secured and properly tightened.



ASSEMBLY COMPLETED



Please ensure the furniture rests on an even and flat surface. If the product wobbles or feels loose, double-check all bolts and/or screws are properly tightened and secured.



Keep this handy!

Please retain this instruction manual and any order-related information for future reference.



Lift, don't drag!

To avoid damage to product please always LIFT the product when transporting or adjusting the placement.