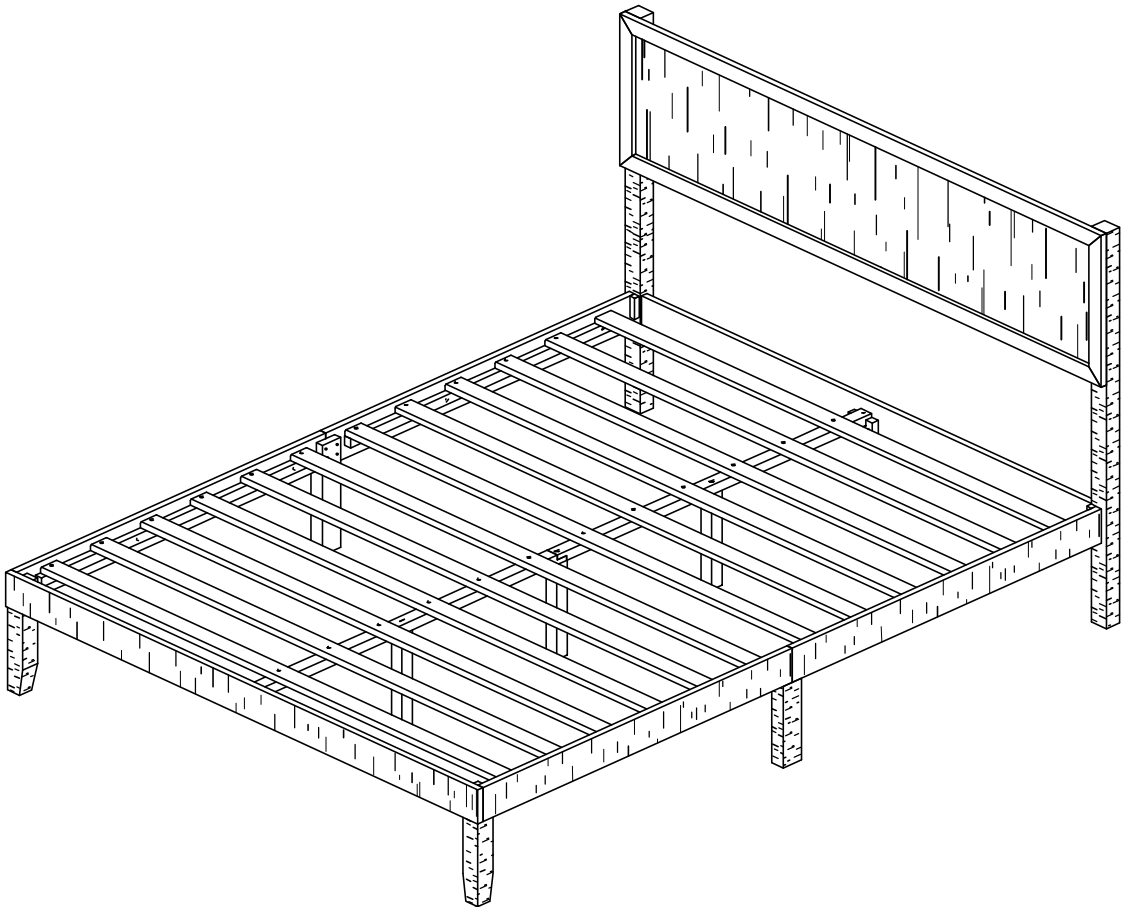
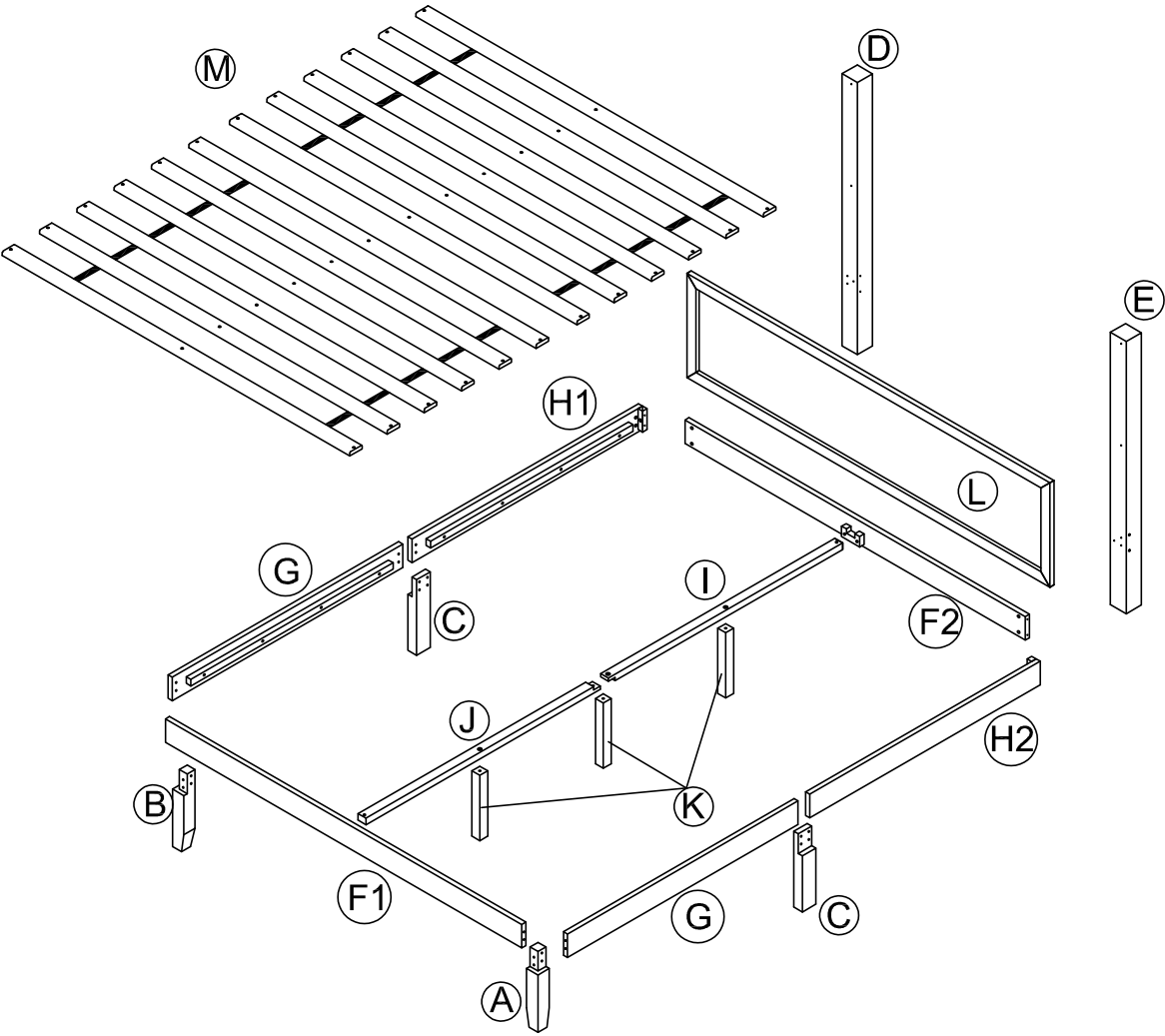
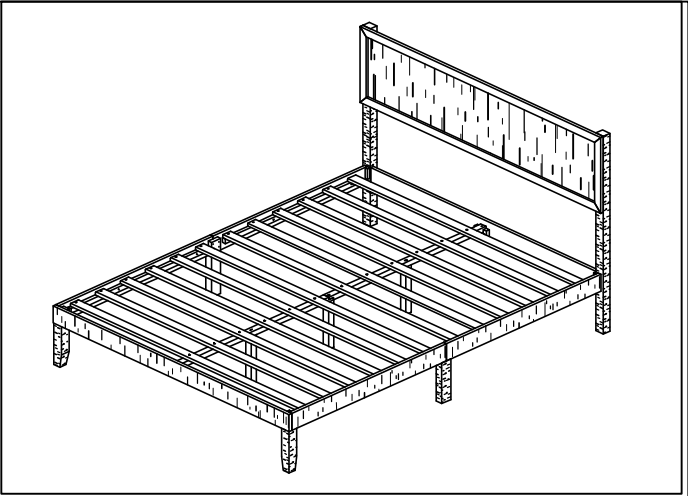
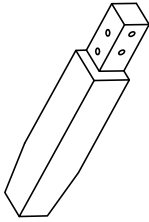


Installation & Assembly

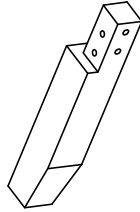




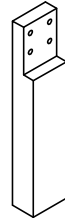
PARTS LIST



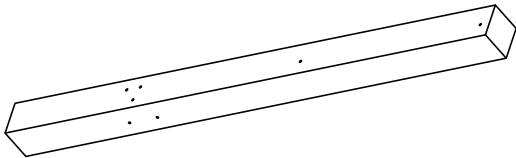
A x 1



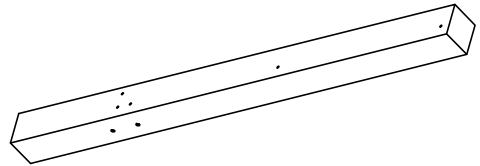
B x 1



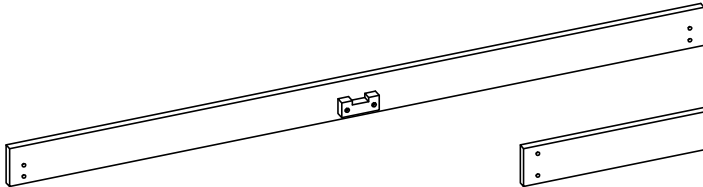
C x 2



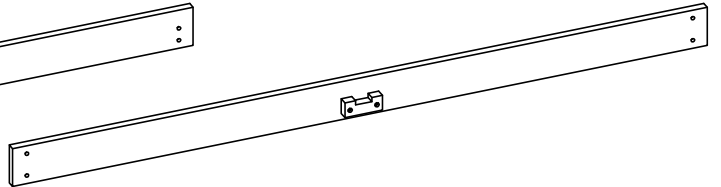
D x 1



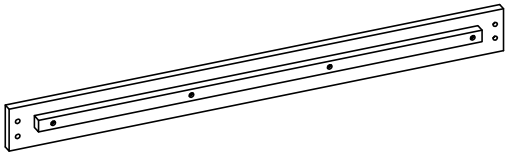
E x 1



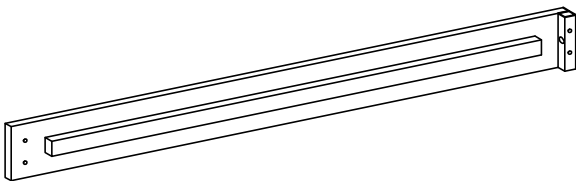
F1 x 1



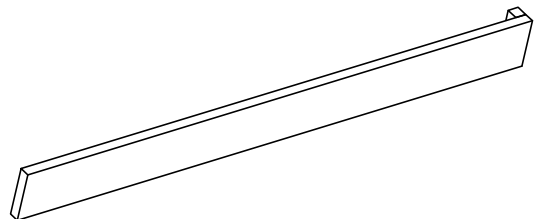
F2 x 1



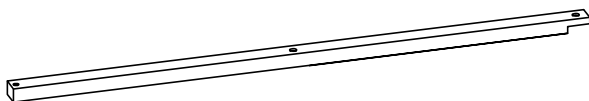
G x 2



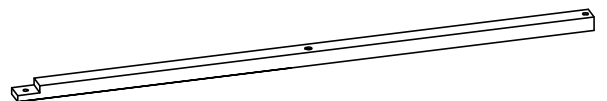
H1 x 1



H2 x 1

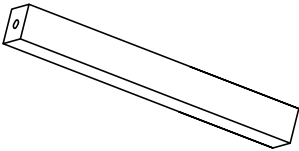


I x 1

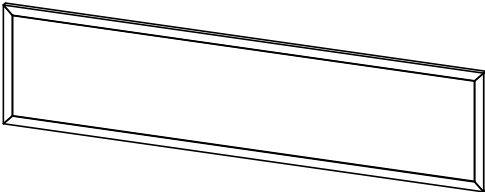


J x 1

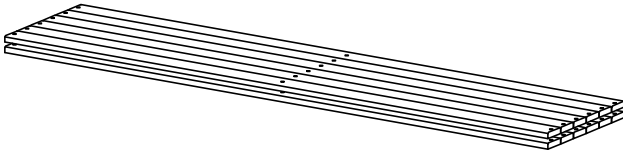
PARTS LIST



K x 3



L x 1



M x 12Pcs

HARDWARE LIST



BOLT
(Ø1/4 " x 55mm)

①

x12



BOLT
(Ø1/4 " x 35mm)

②

x13



BOLT
(Ø1/4 " x 110mm)

③

x4



BOLT
(Ø1/4 " x 90mm)

④

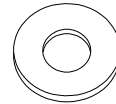
x4



SPRING WASHER
(Ø1/4 ")

⑤

x30



FLAT WASHER
(Ø1/4" x 19mm)

⑥

x18



FLAT WASHER
(1/4" x 16mm)

⑦

x12



(Ø1/4 ")

⑧

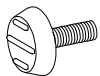
x8



ALLEN KEY

⑨

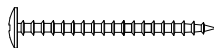
x1



(1/4" x 25mm)

⑩

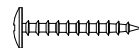
x3



SCREW
(Ø4 x 35mm)

⑪

x2

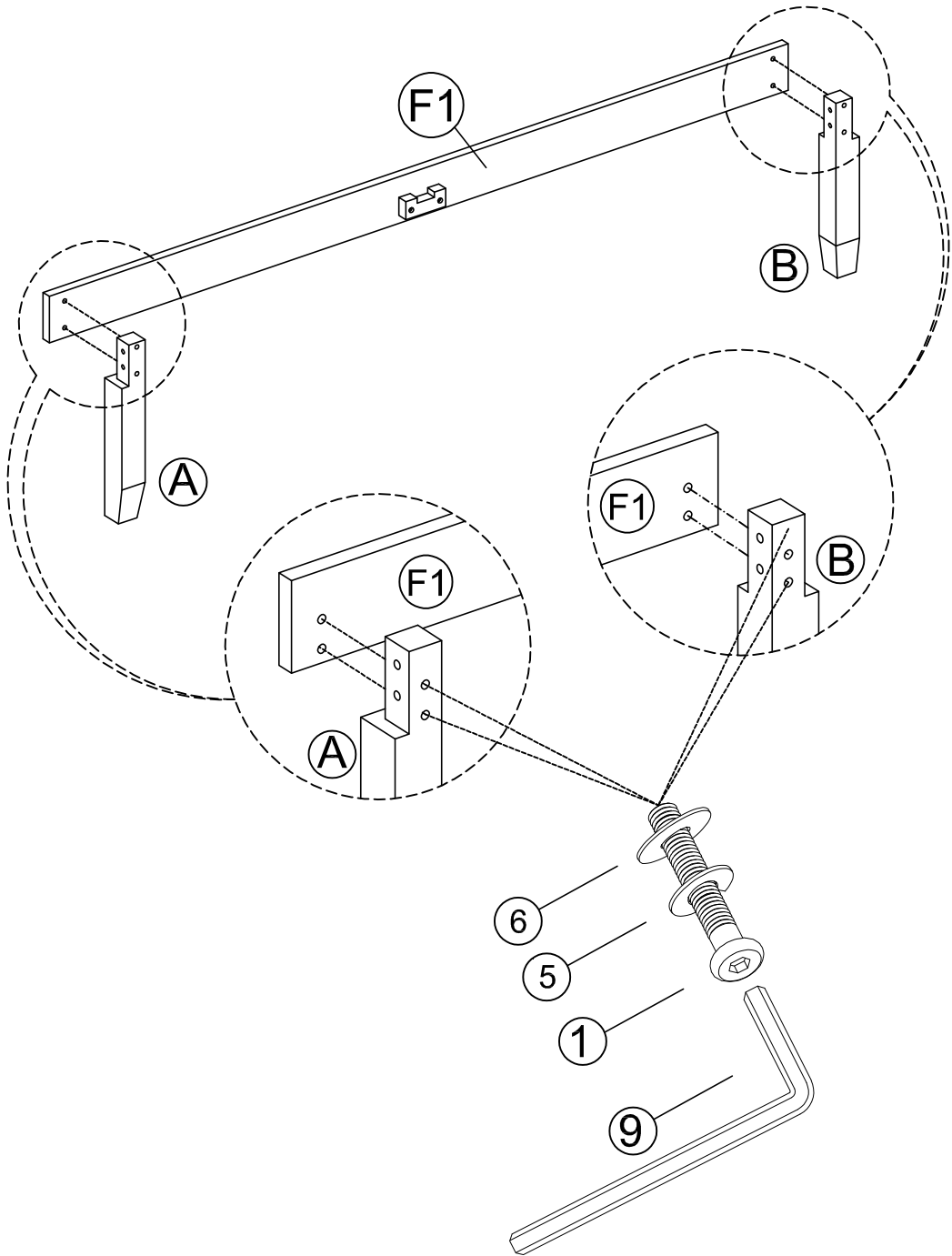






SCREW
(Ø4 x 25mm)

⑫

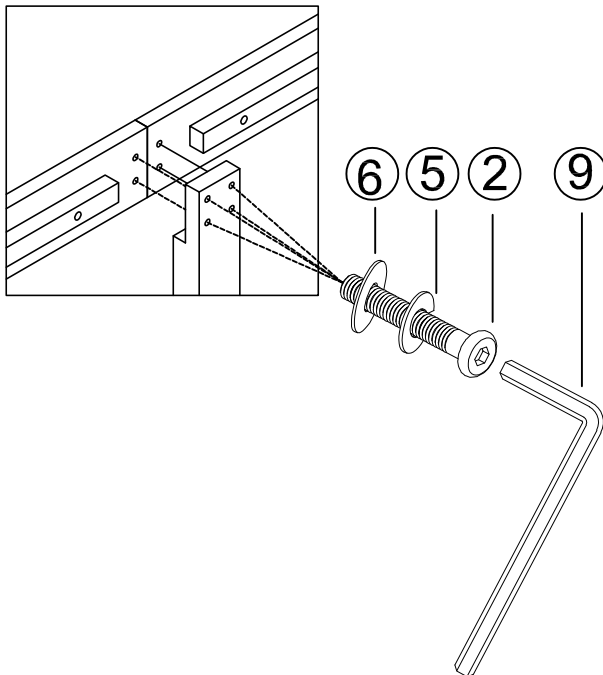
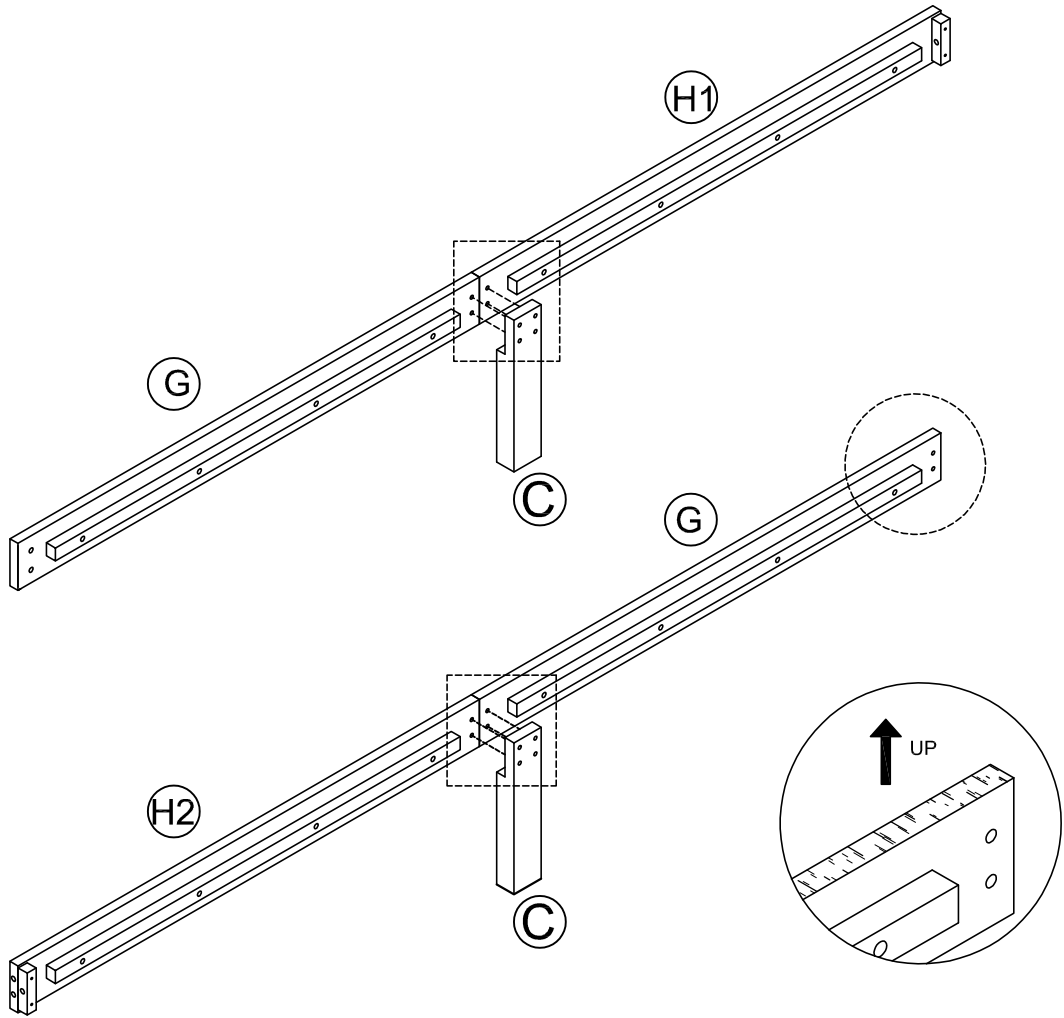
x36





Step 1



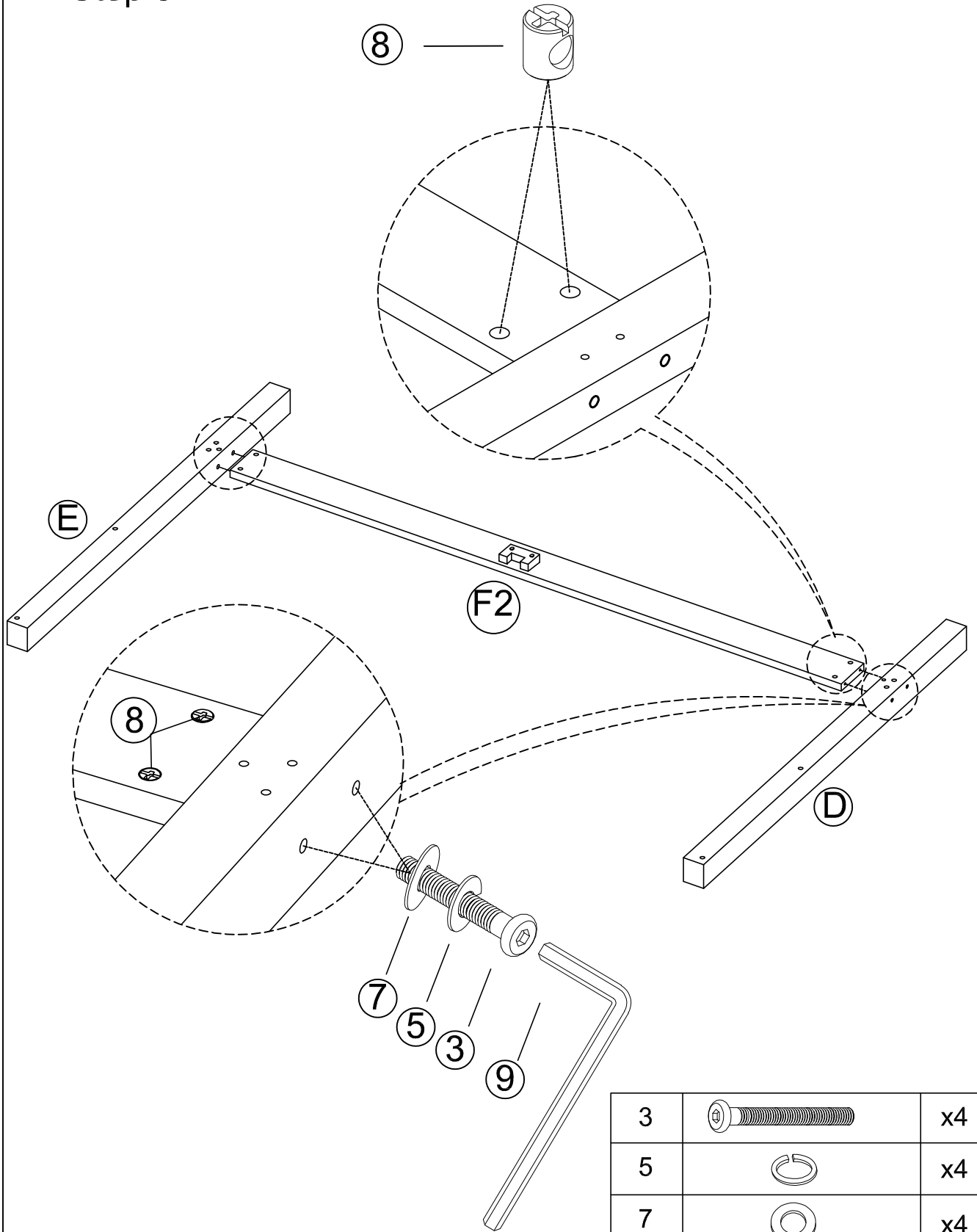
1		x4
5		x4
6		x4
9		x1






Step 2



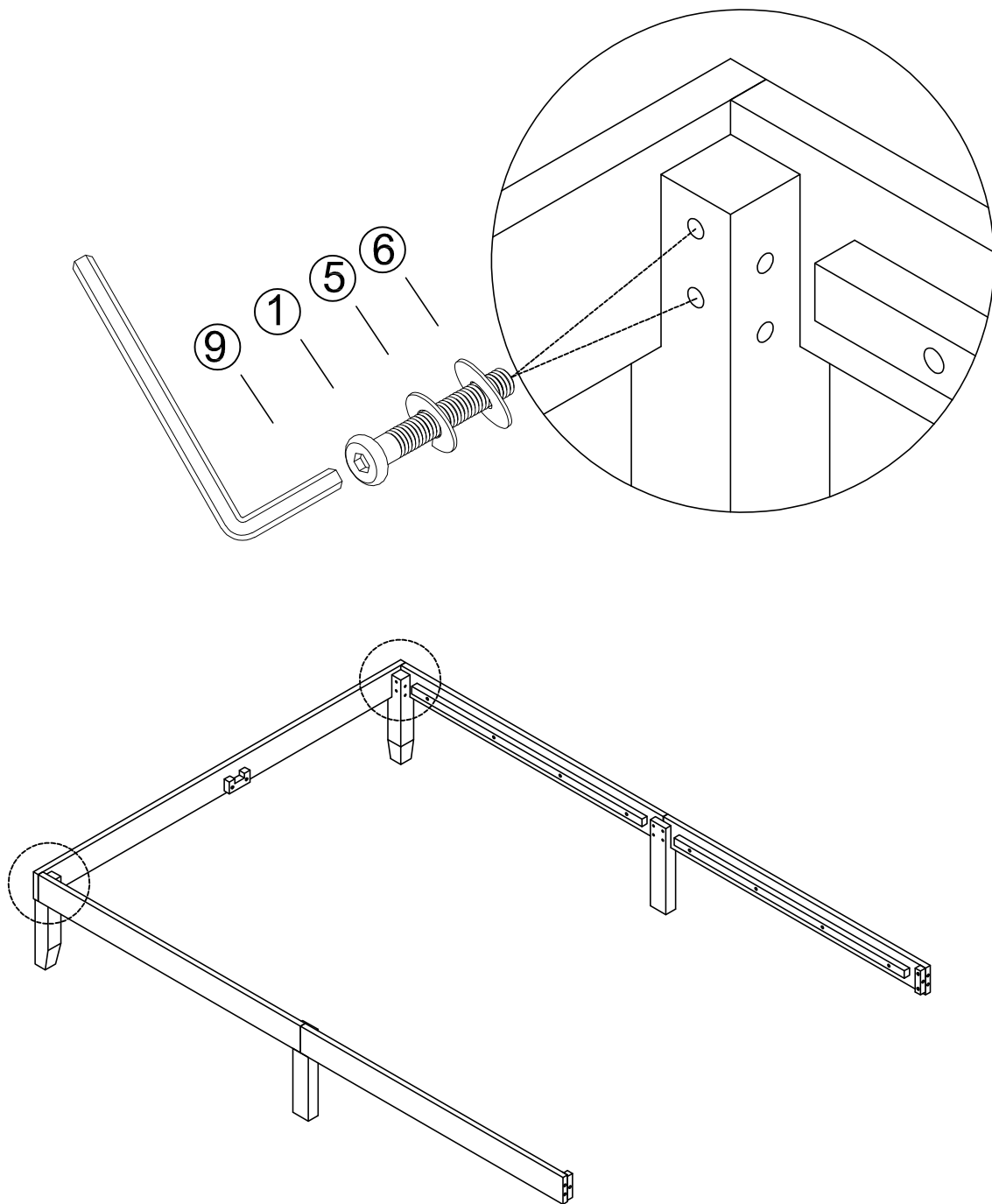
2		x8
5		x8
6		x8
9		x1





Step 3



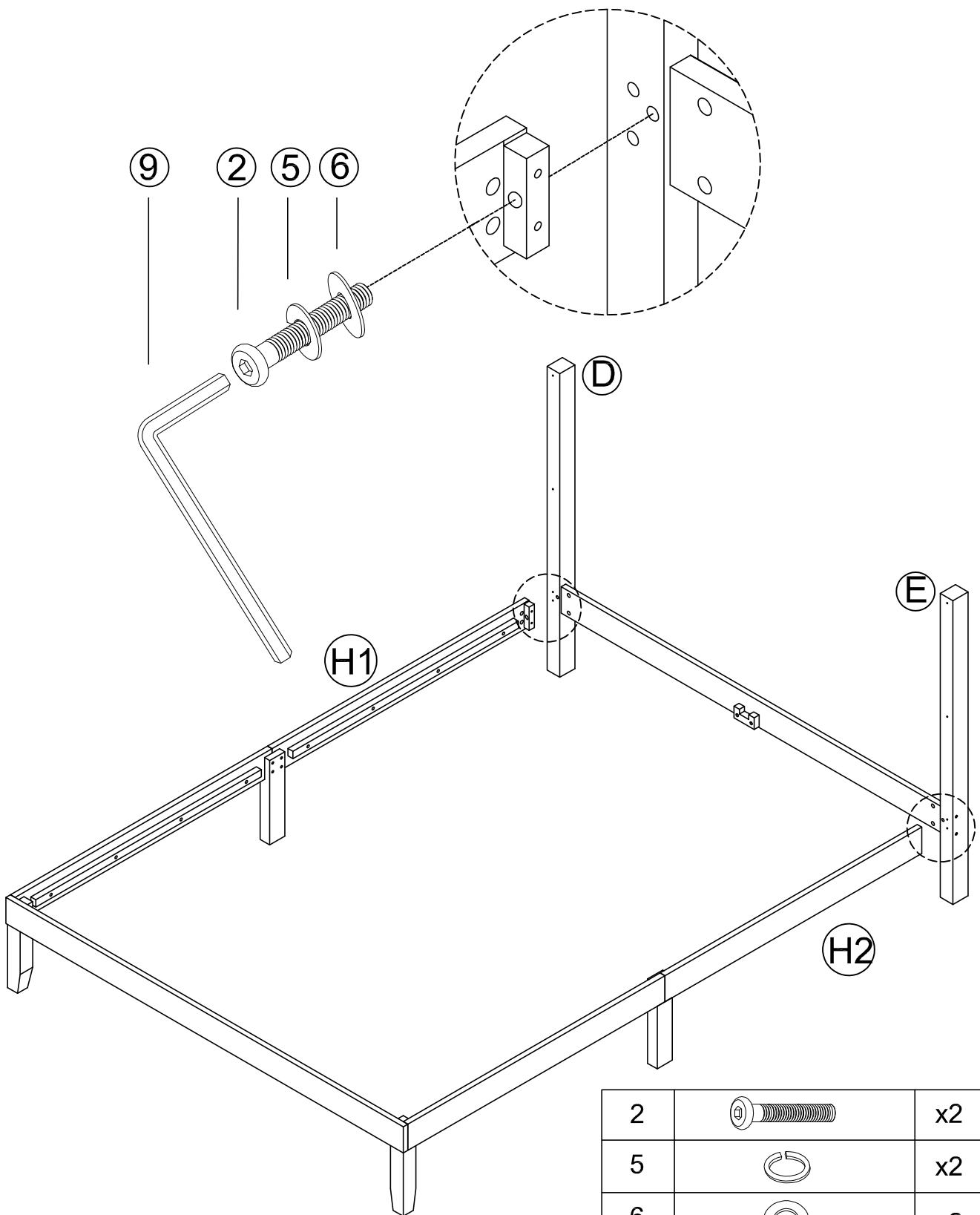
3		x4
5		x4
7		x4
8		x4
9		x1





Step 4



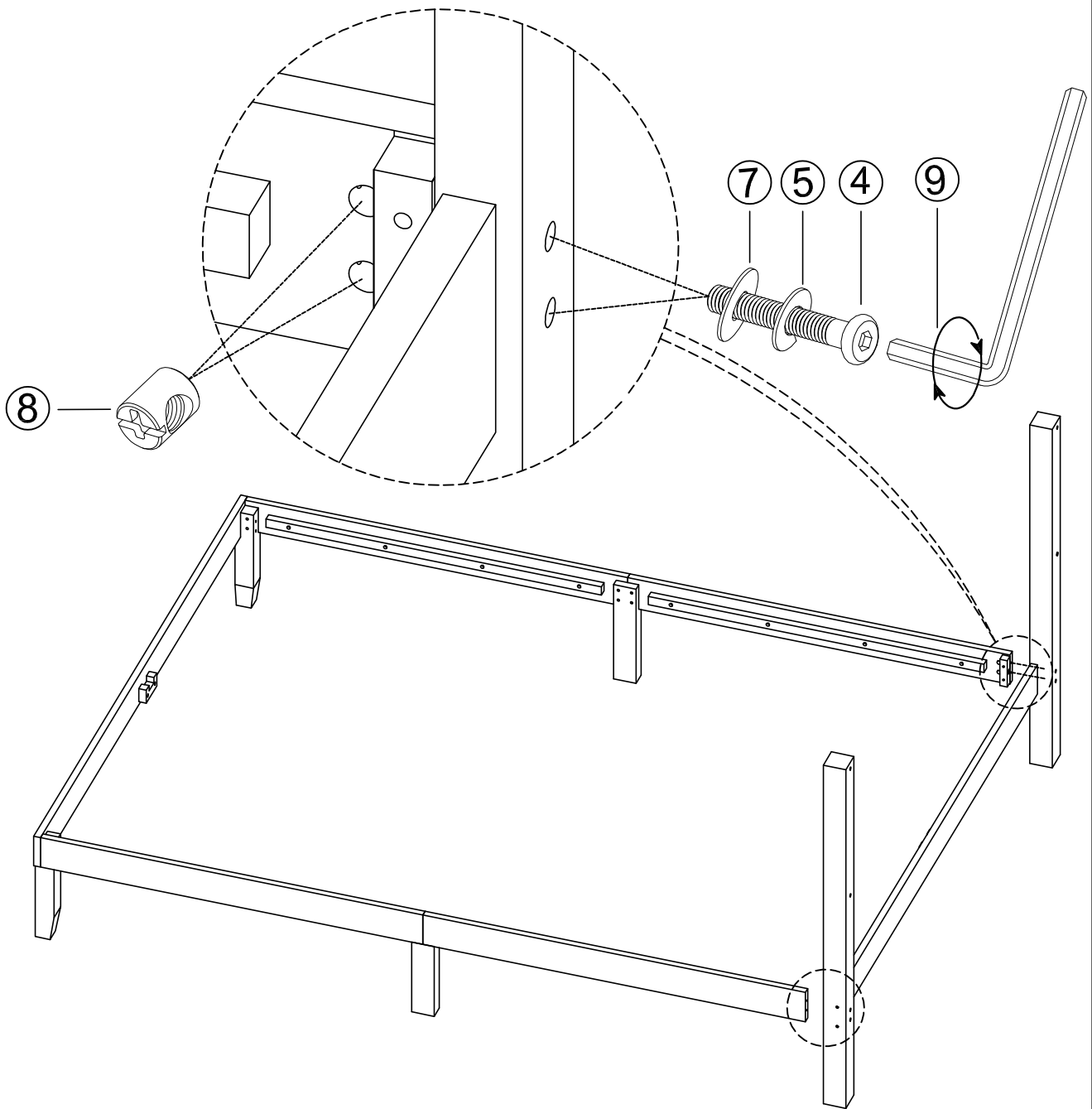
1		x4
5		x4
6		x4
9		x1






Step 5



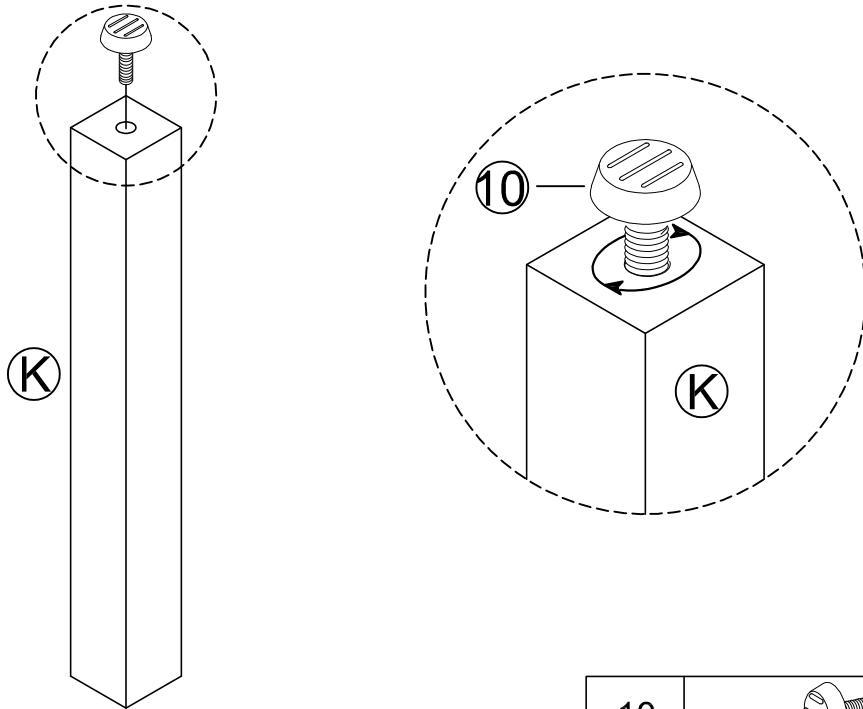
2		x2
5		x2
6		x2
9		x1

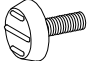
Step 6



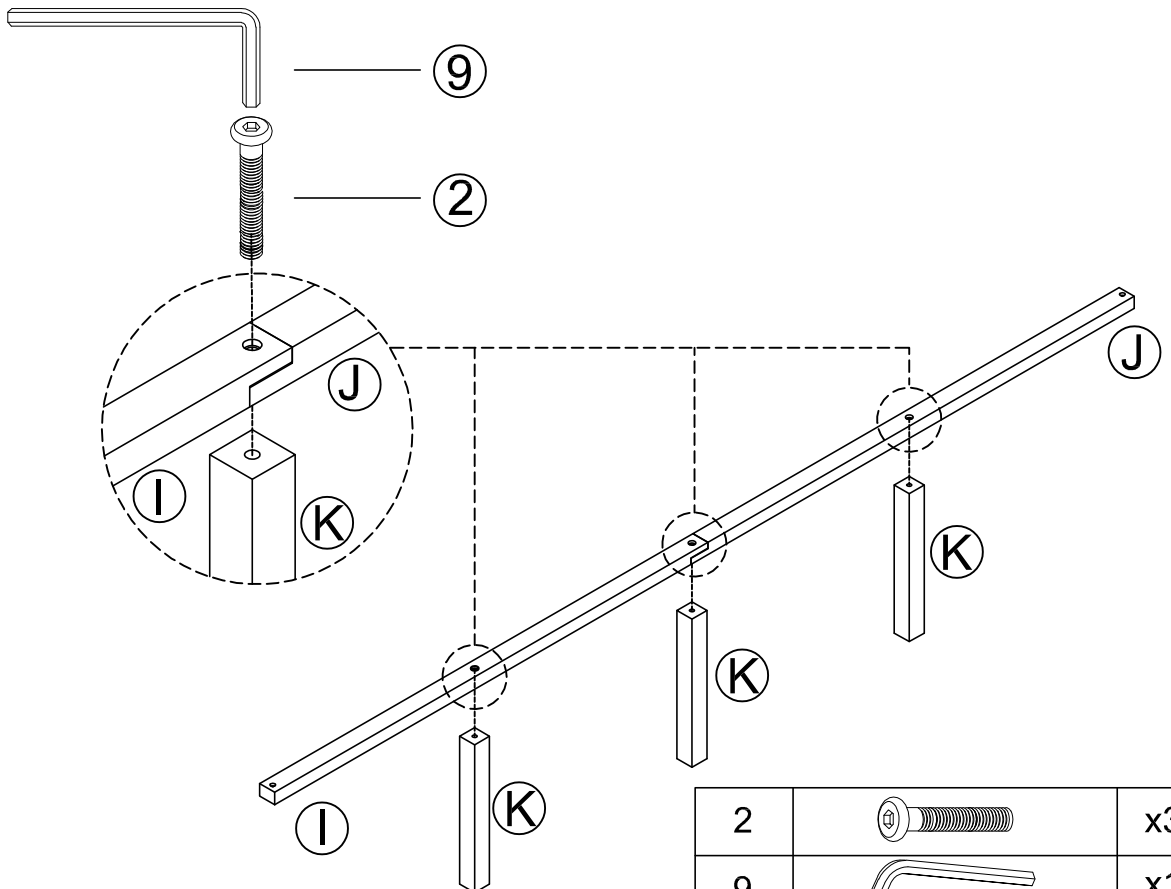
4		x4
5		x4
7		x4
8		x4
9		x1



Step 7



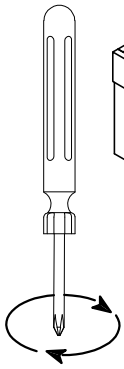
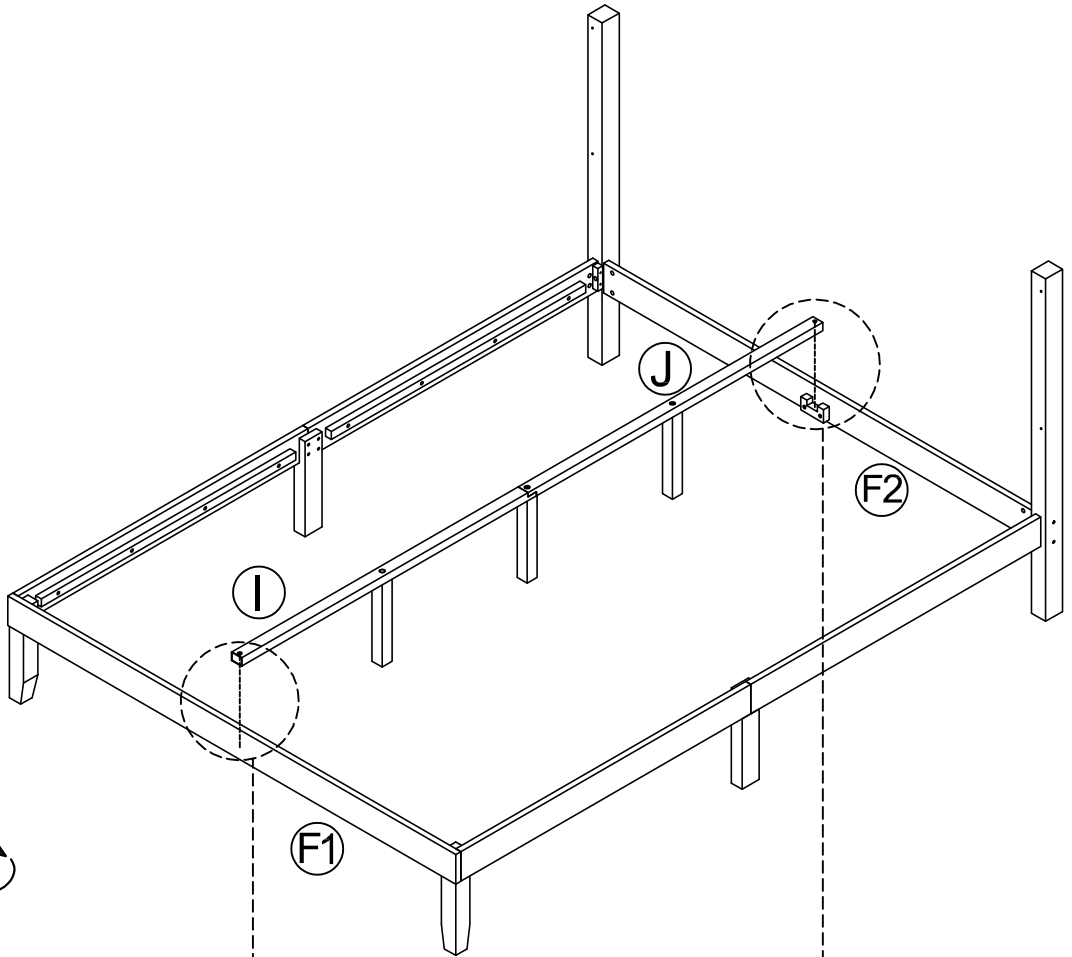
10		x3
----	---	----

Step 8

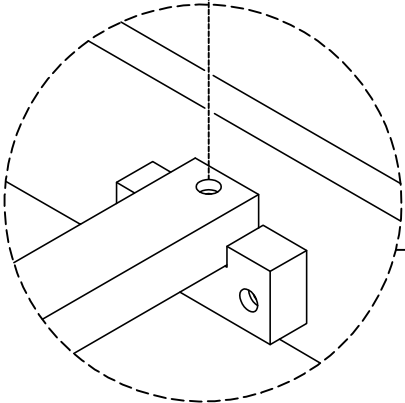
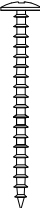


2		x3
9		x1

Step 9

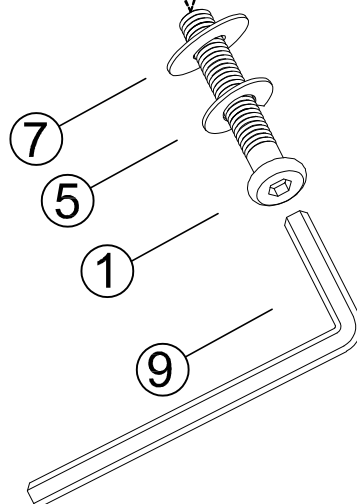
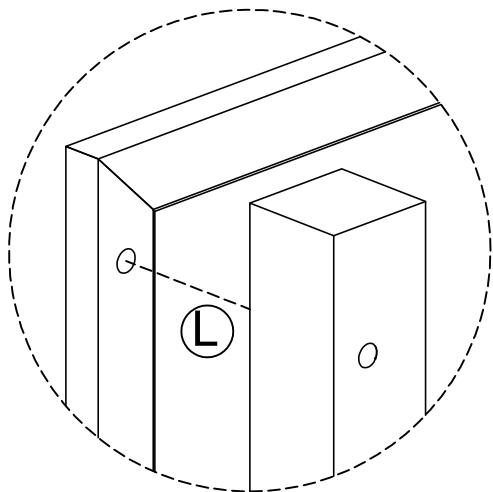
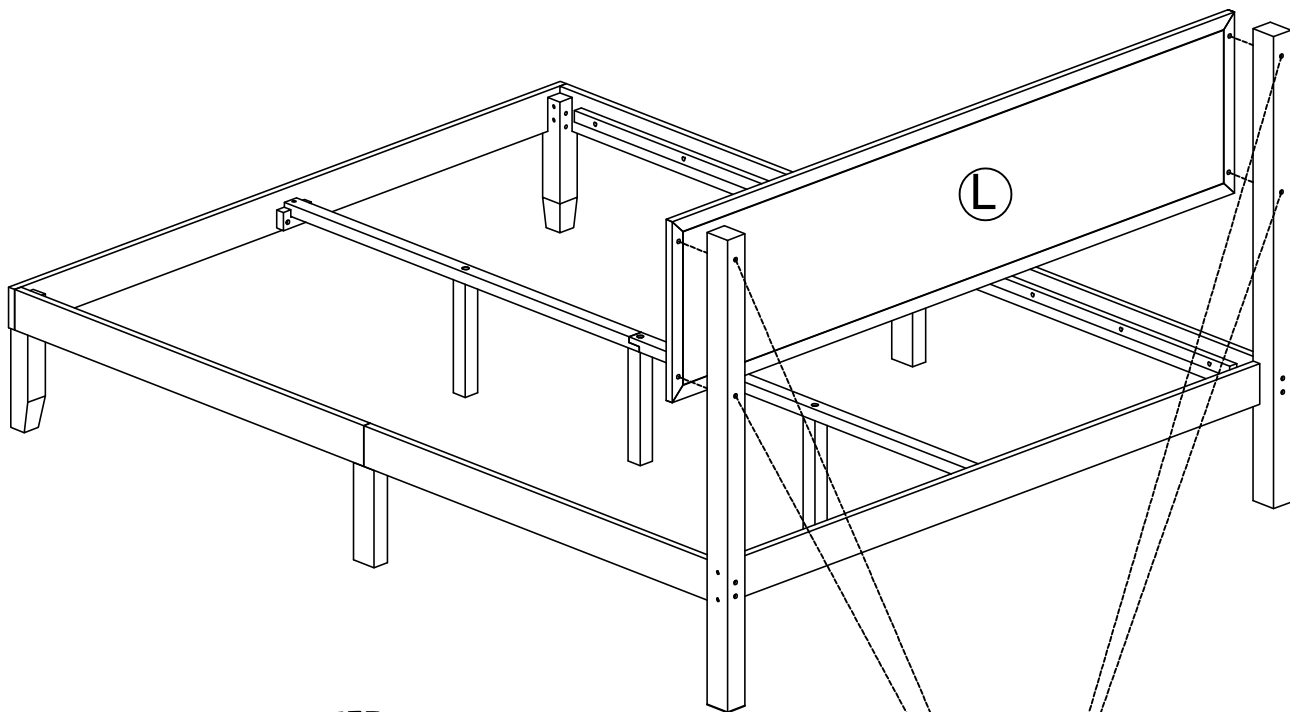






11



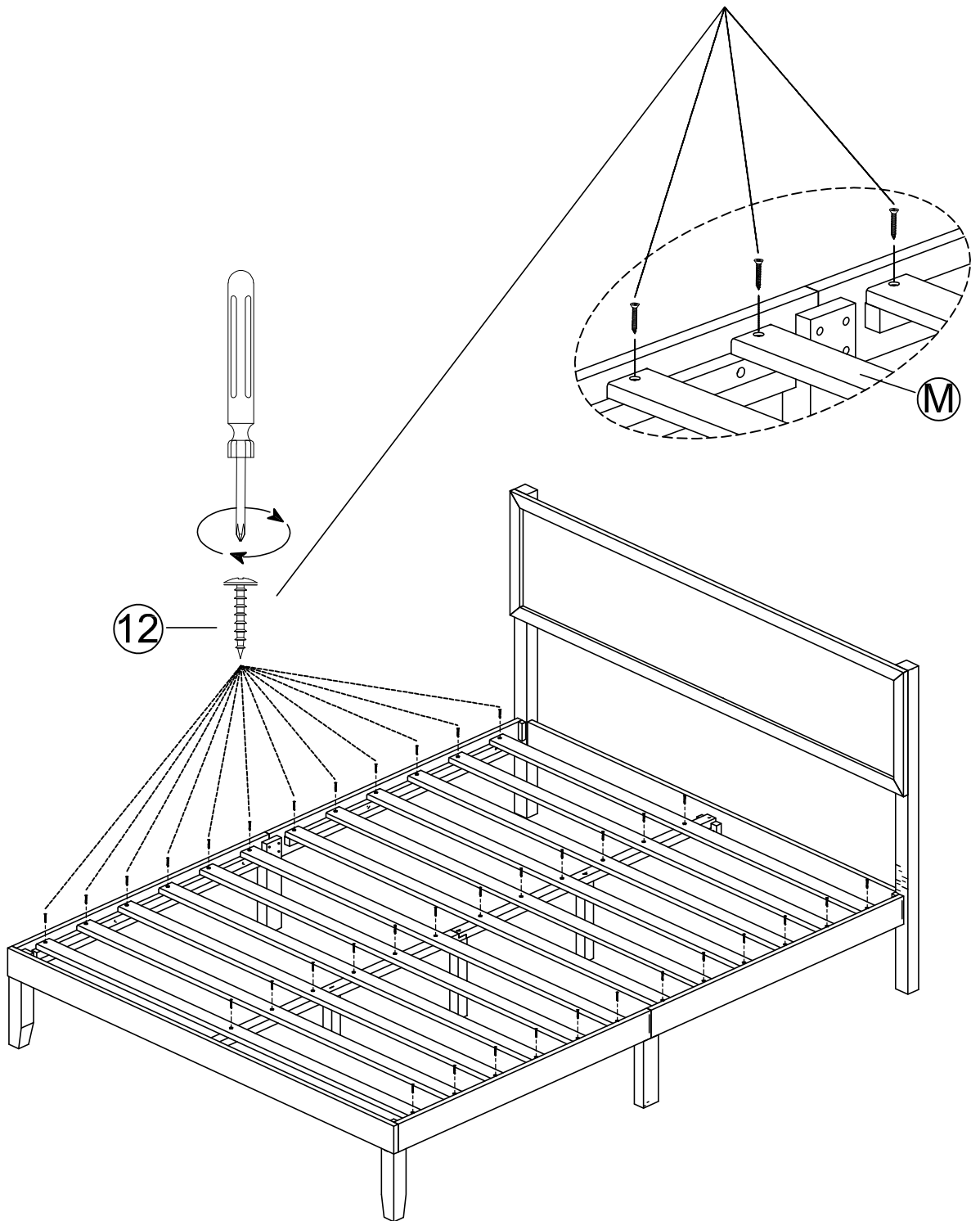
11		x2
----	---	----

Step 10



1		x4
5		x4
7		x4
9		x1

Step 11



12



x36

COMPLETE

