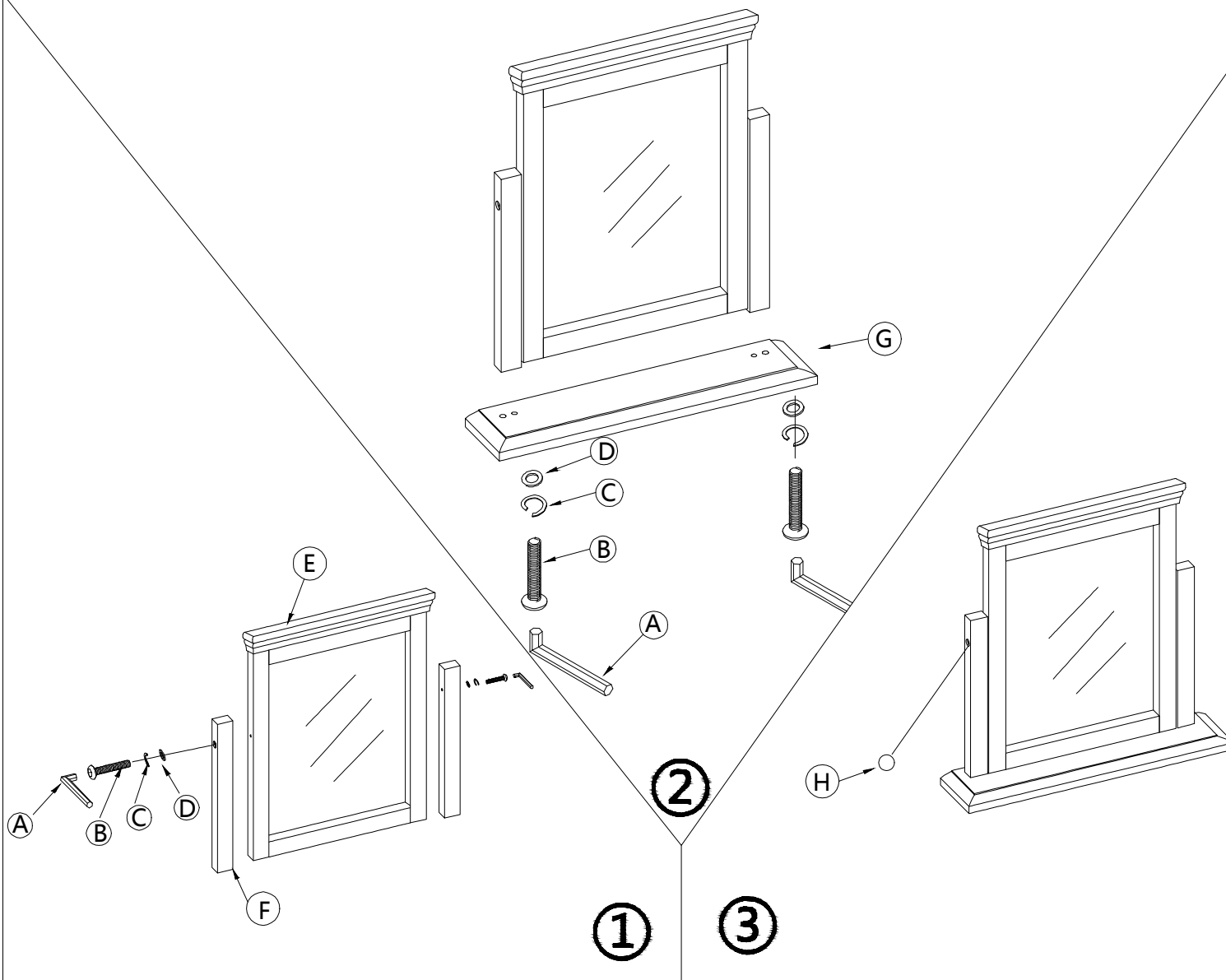
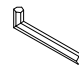



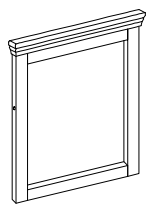

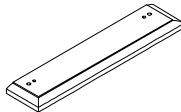



SW-TM

Assembly Instruction

Components list



A	M5		1
B	M8*30		4
C	M8		4
D	M8*16		4
E			1
F			2
G			1
H			2