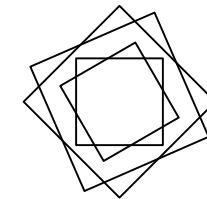
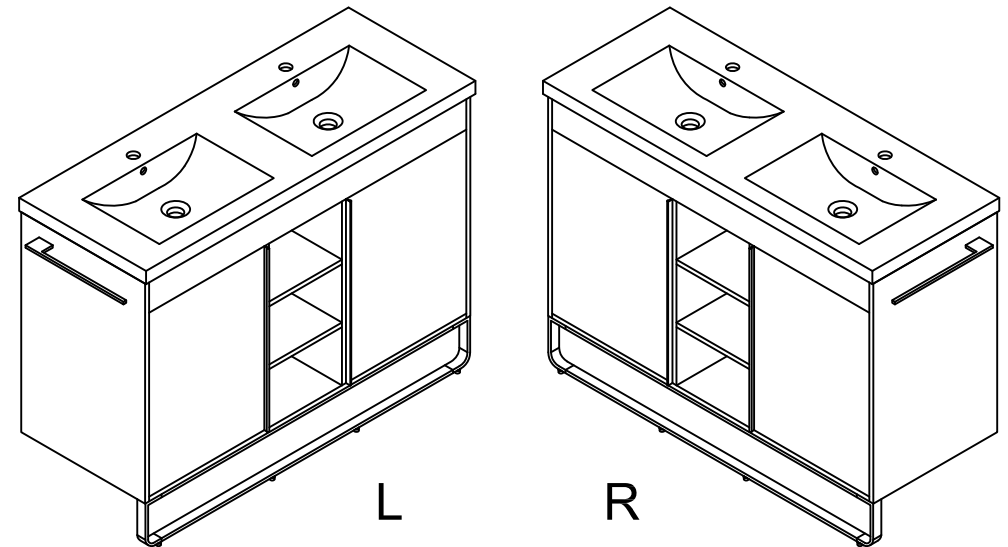


THANKS FOR WATCHING

Your feedback is invaluable to us and we would love to hear about your experience. Please take the time to leave us a review.



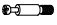


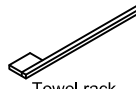







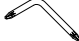





Thank you for shopping with us!

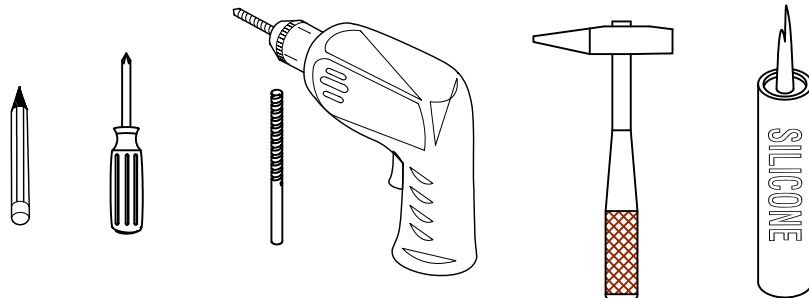
We encourage you to take a few minutes to go through this booklet. It contains important information on installation and care tips to keep your furniture looking as good as new.

Item NO.:BV B12948D

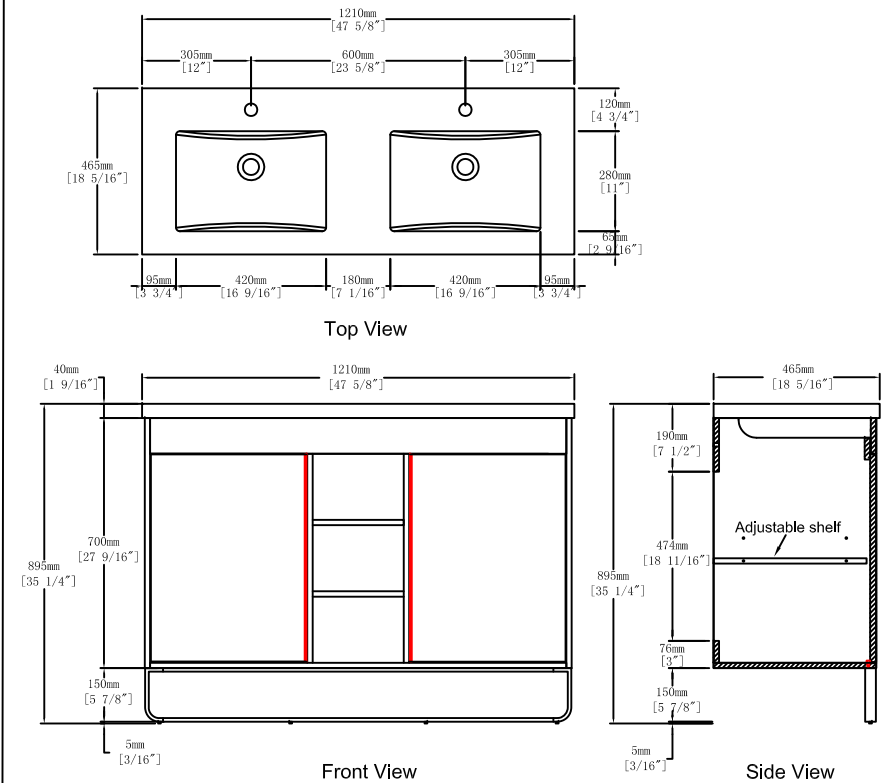
Hardware

NO.	Draw	QTY	NO.	Draw	QTY
A	 Screws Ø4x14mm	56	K	 Handle(L580mm) Ø4*14mm	2
B	 Two-in-one connector	53	L	 Metal tripod (L1193mm) M4*20mm	1
C	 Two-in-one connector	53	M	 Towel rack	1
D	 Wood plug	14	N	 Screws M4x18mm	2
E	 Plastic anchor(Ø10mm)	4	O	 Movable laminate support	8
F	 Screws for fix on the wall	4	P	 Anti-collision gasket	2
G	 Bracket (53x70x44mm)	4	Q	 Screwdriver	1
H	 Bracket (19x19x35mm)	2			
I	 Hinges(Internal hiding)	4			
J	 Door stopper	2			

Recommended tools



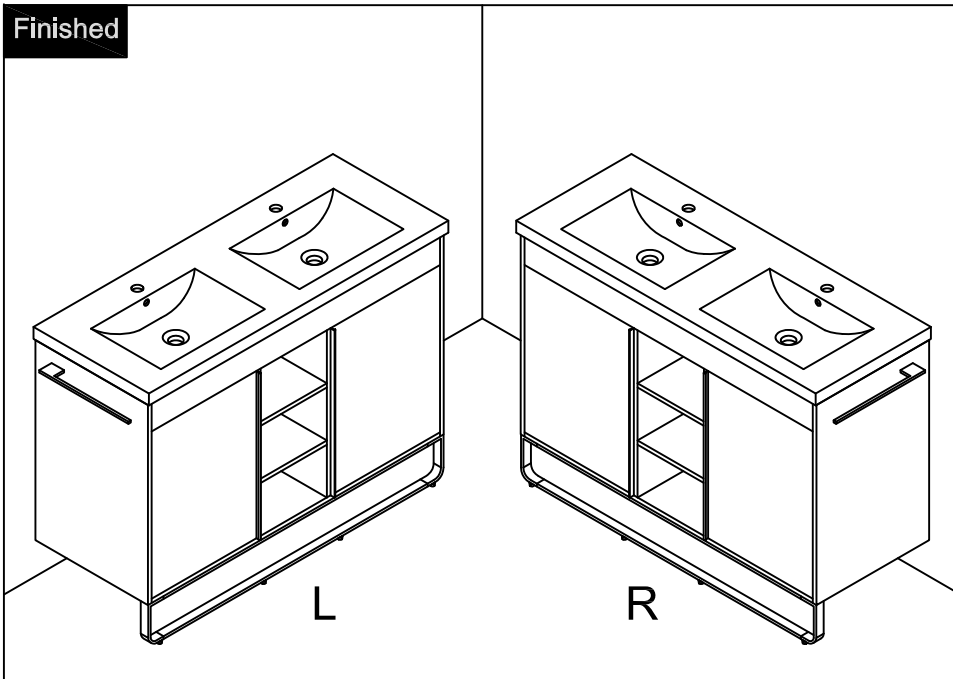
Dimensions



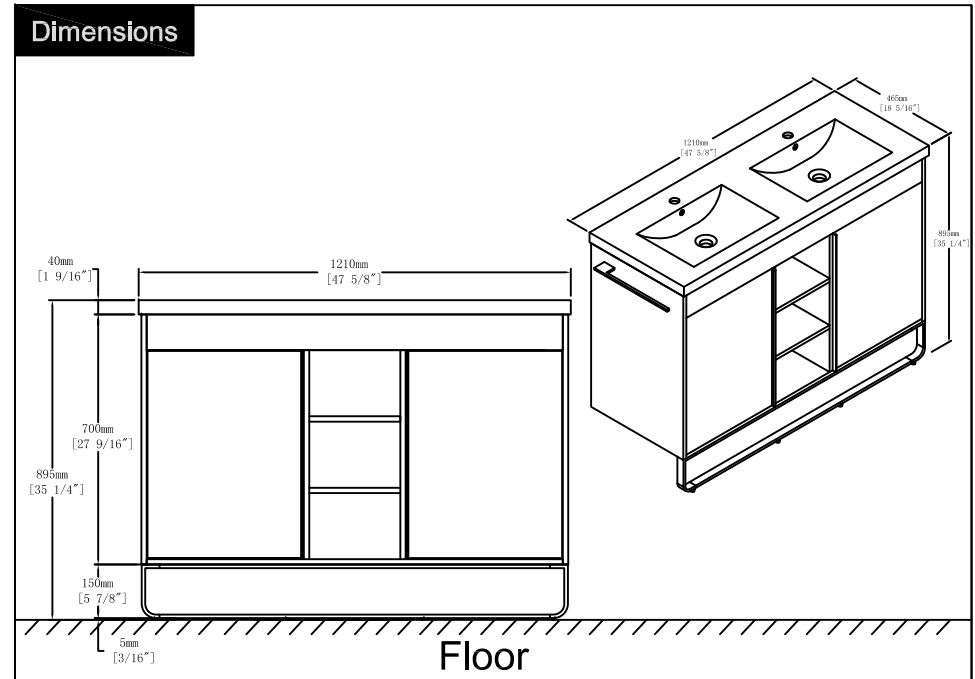
CARE CLEANING AND MAINTENANCE

1. Dust regularly with a soft, dry cloth.
2. Avoid the use of all chemicals household cleaners, abrasives, or cleaners that contain lemon, vinegar, or other acids that may damage the finish.
3. Excessive exposure to sunlight and extreme changes in temperature and moisture can damage wood furniture.
4. The sink is fragile, please pay attention to maintaining its appearance.
5. Do not place hot appliances, such as curling irons and hot hair dryers directly on the countertop. Wipe spills immediately.

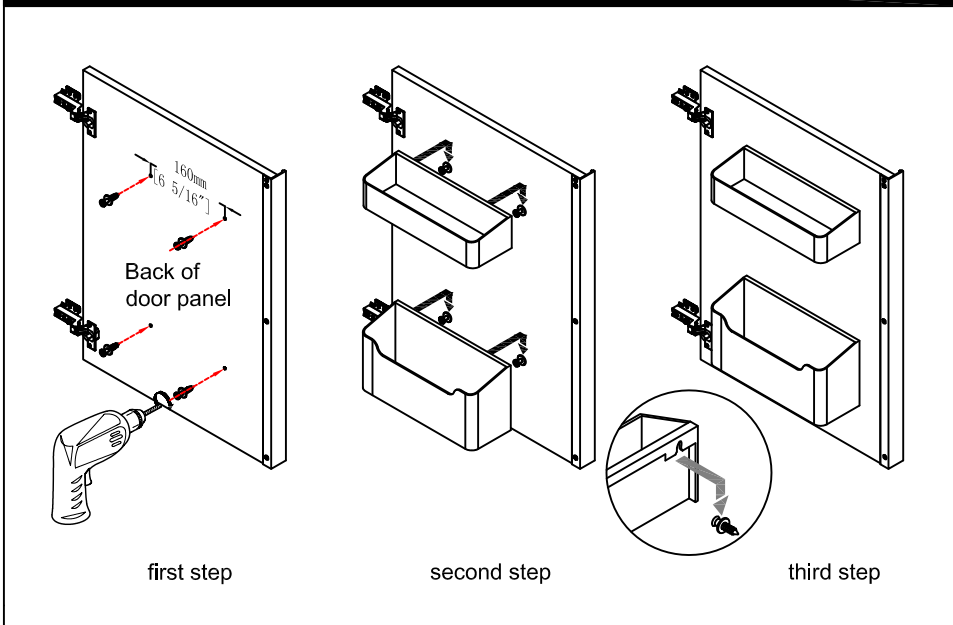
Finished



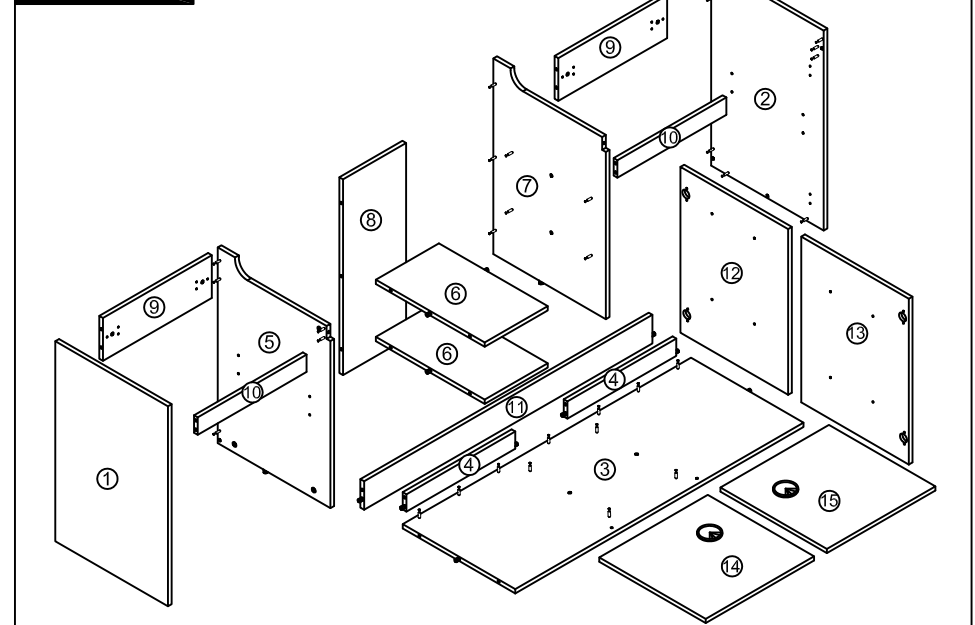
Dimensions

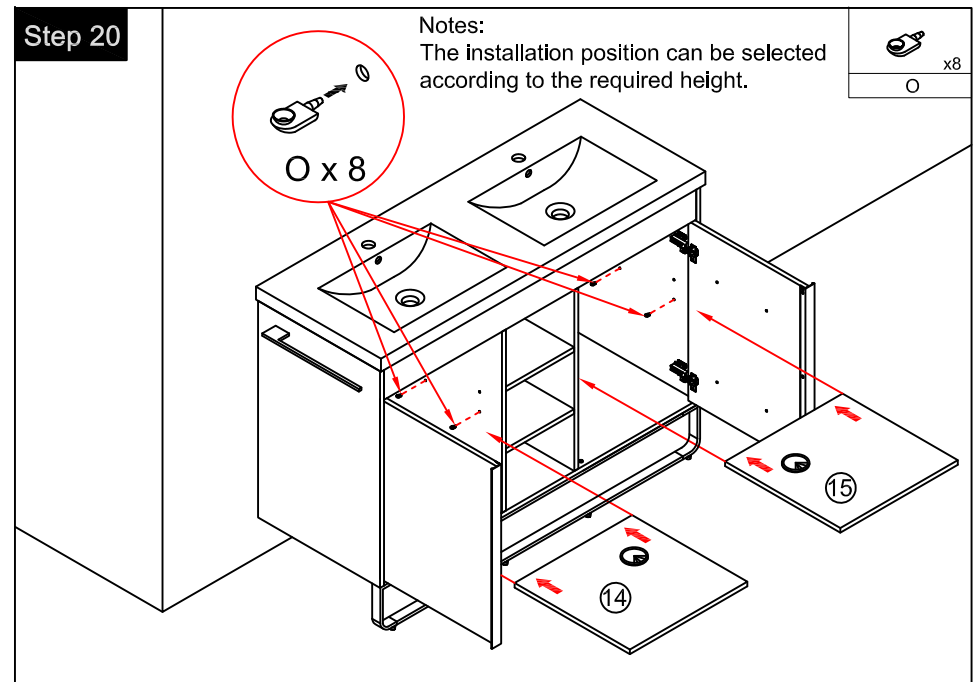
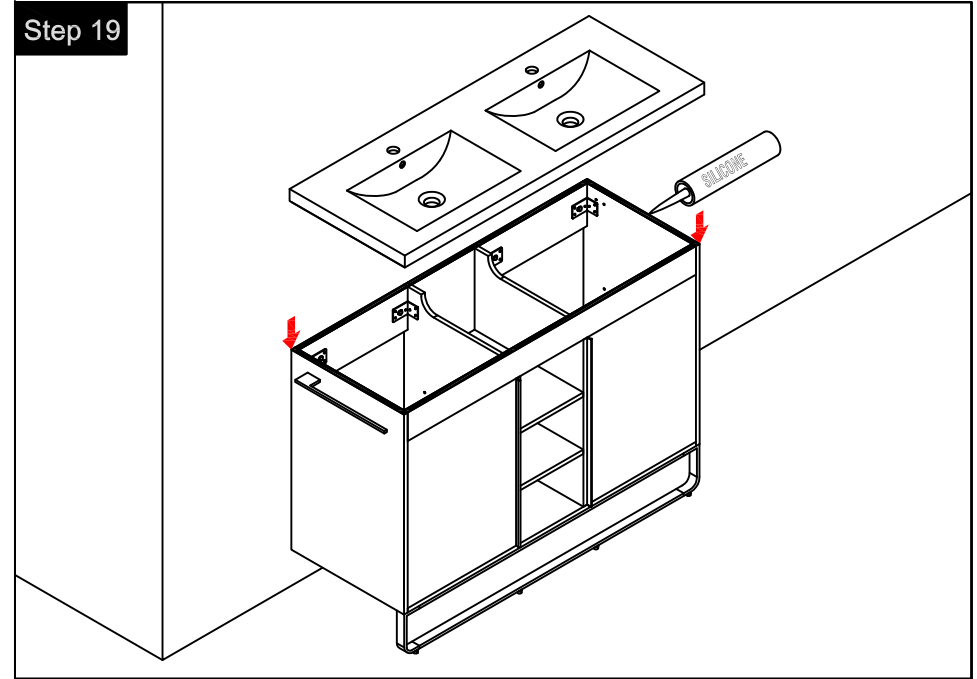
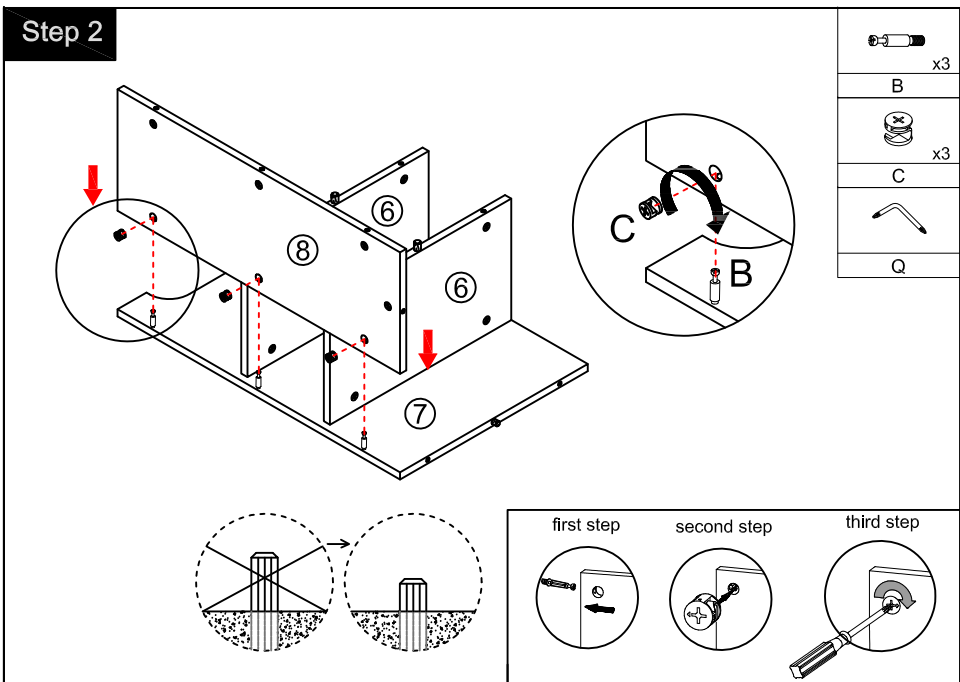
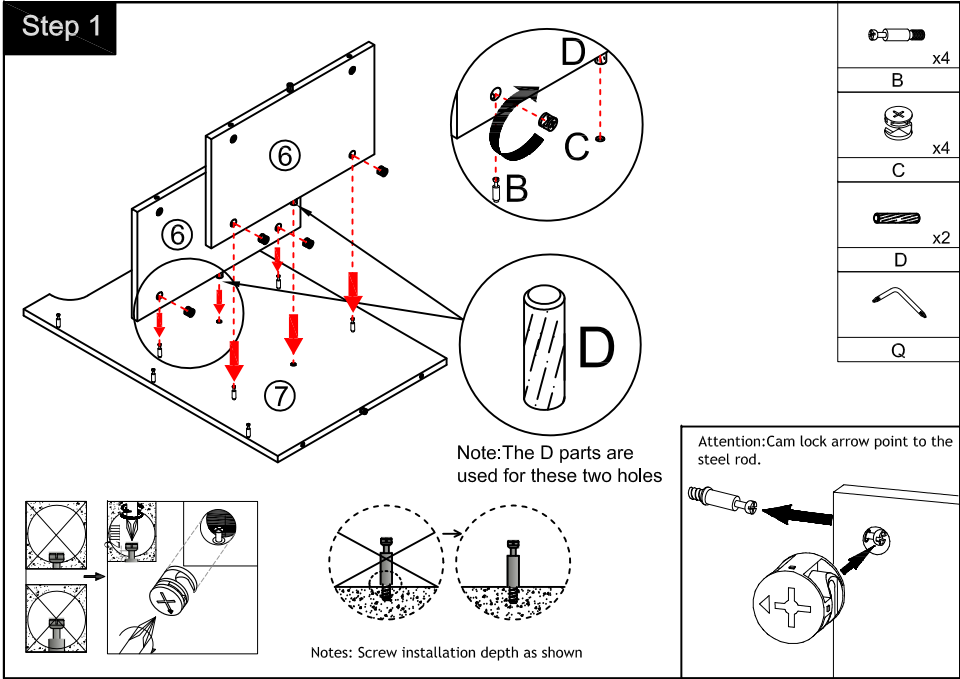


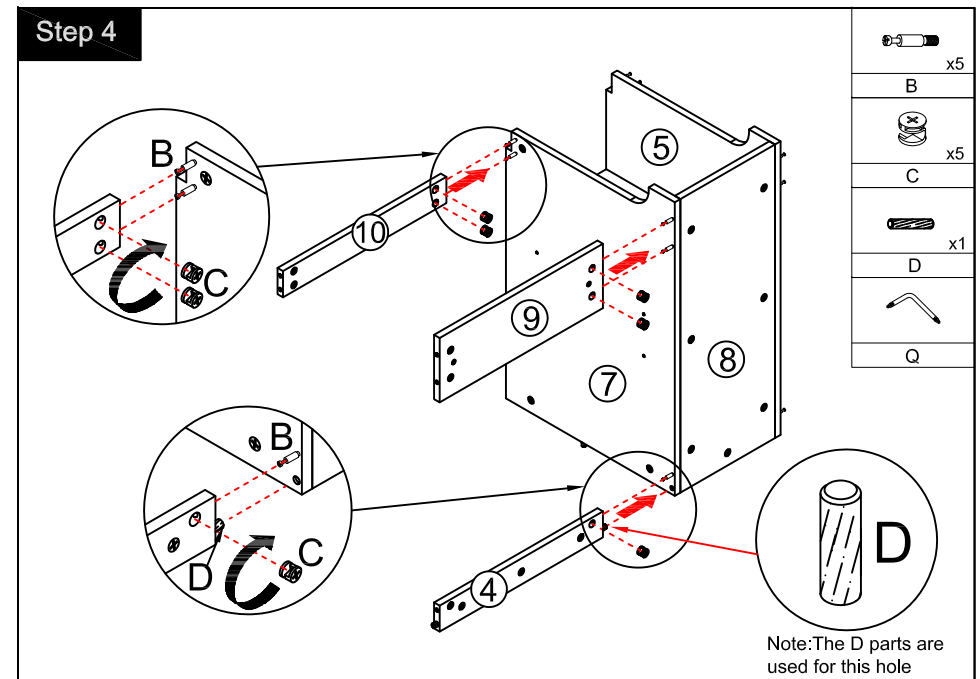
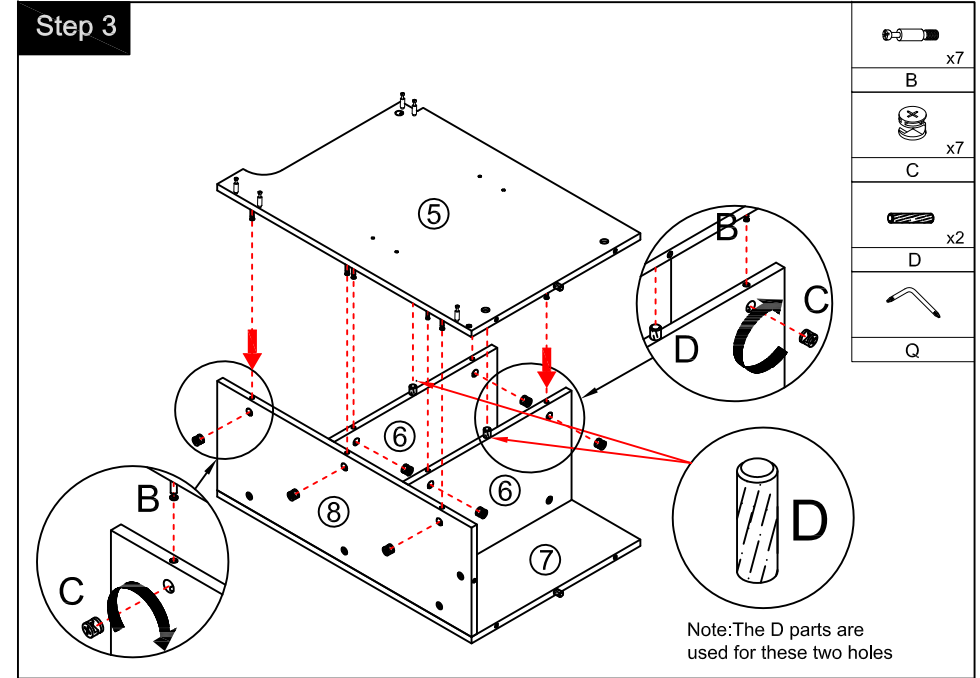
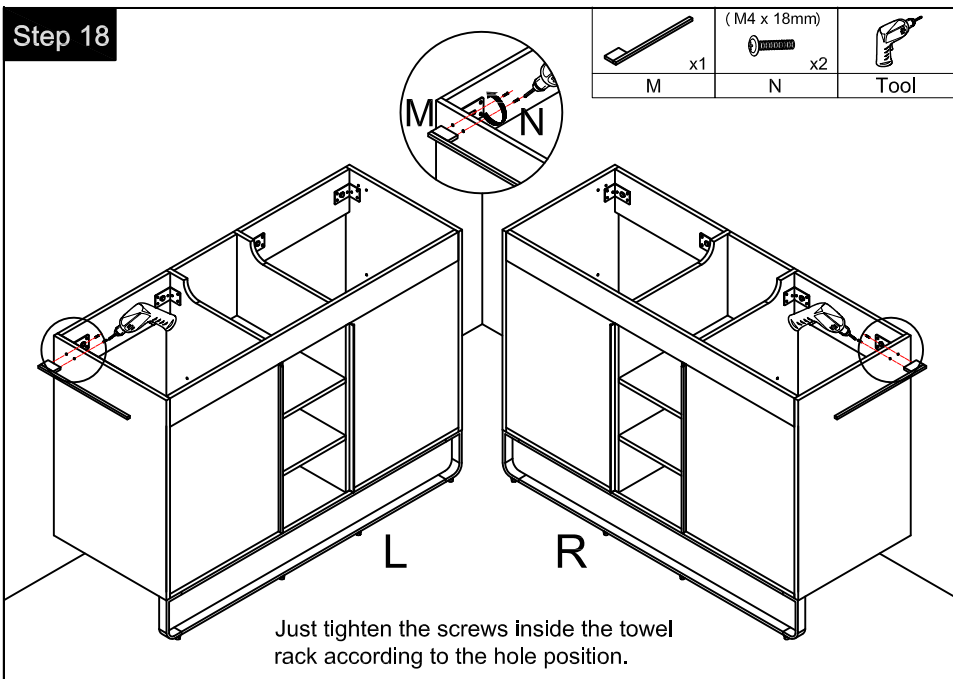
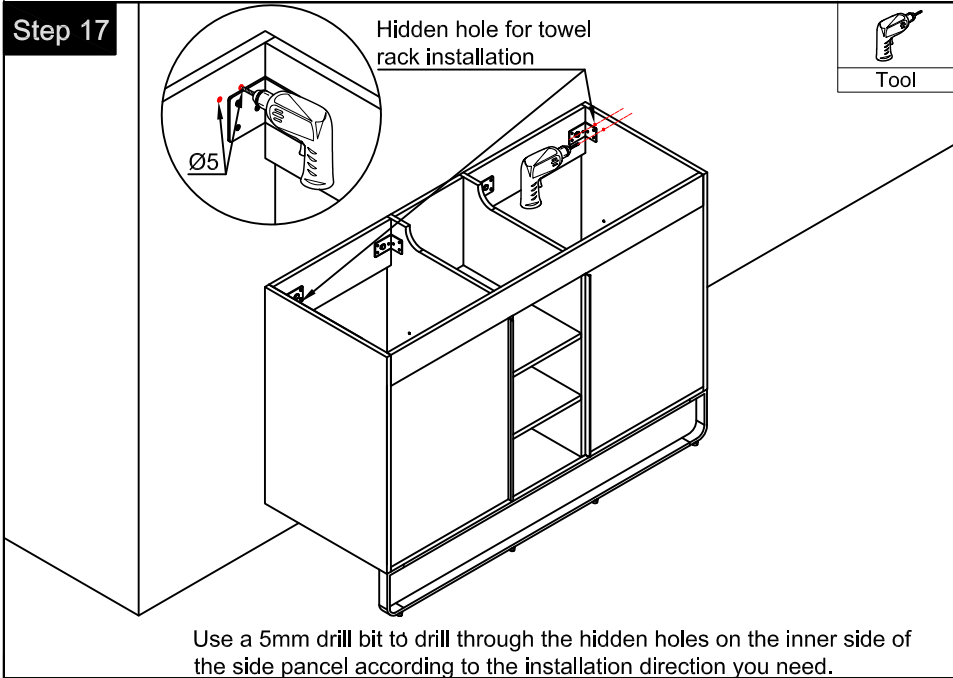
Procedure for installing the plastic box

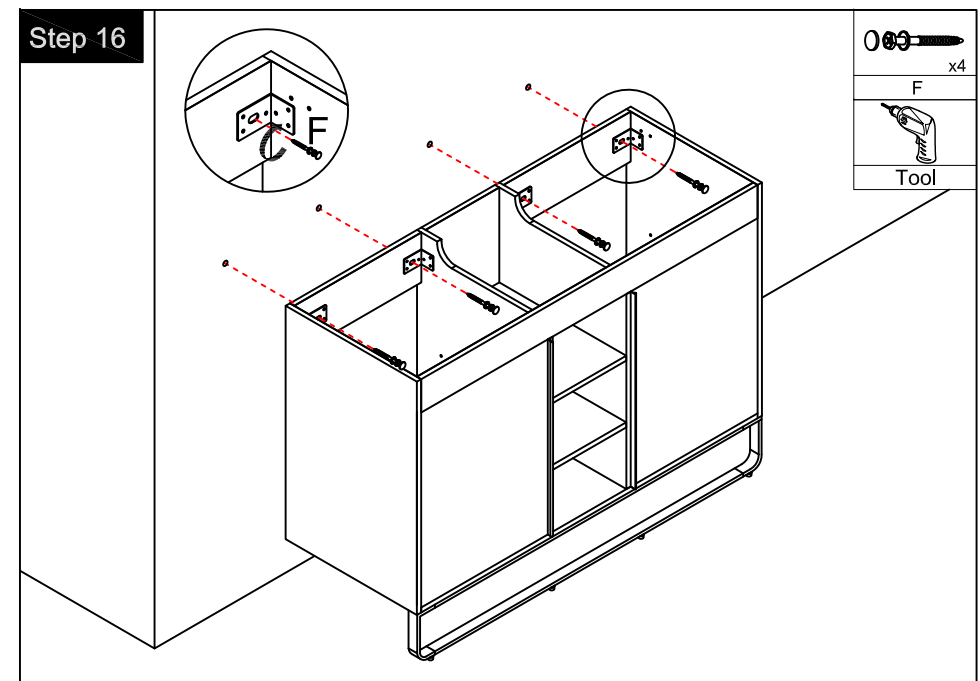
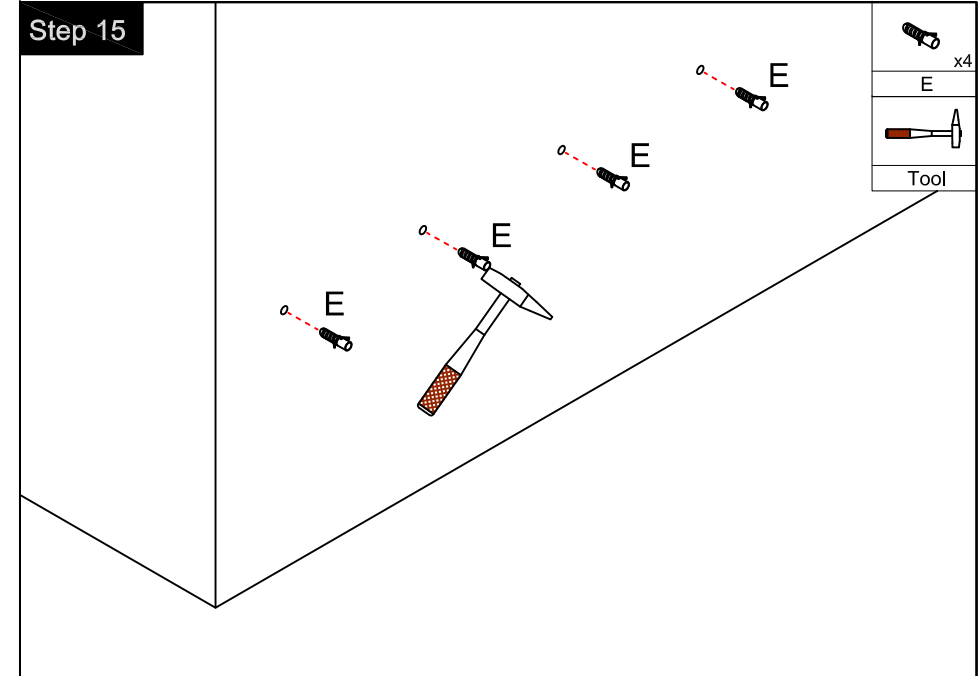
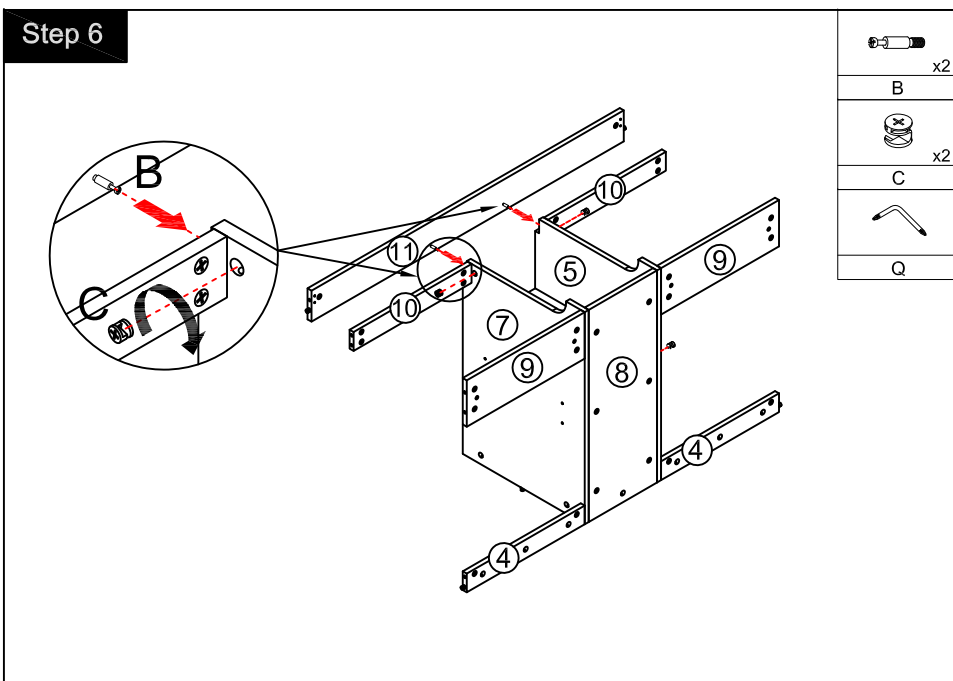
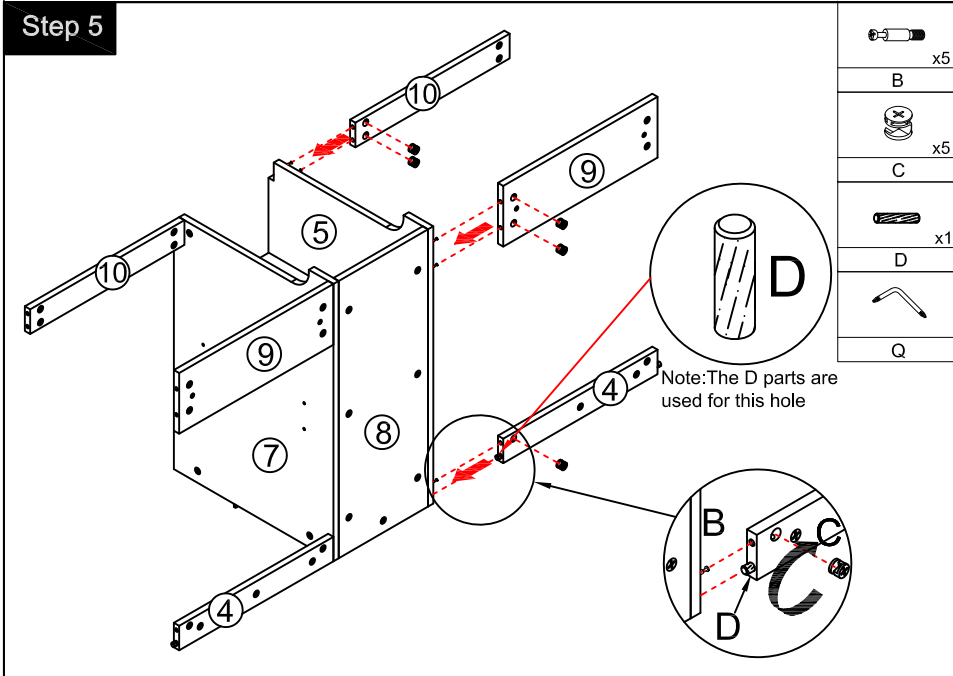


Components



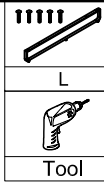
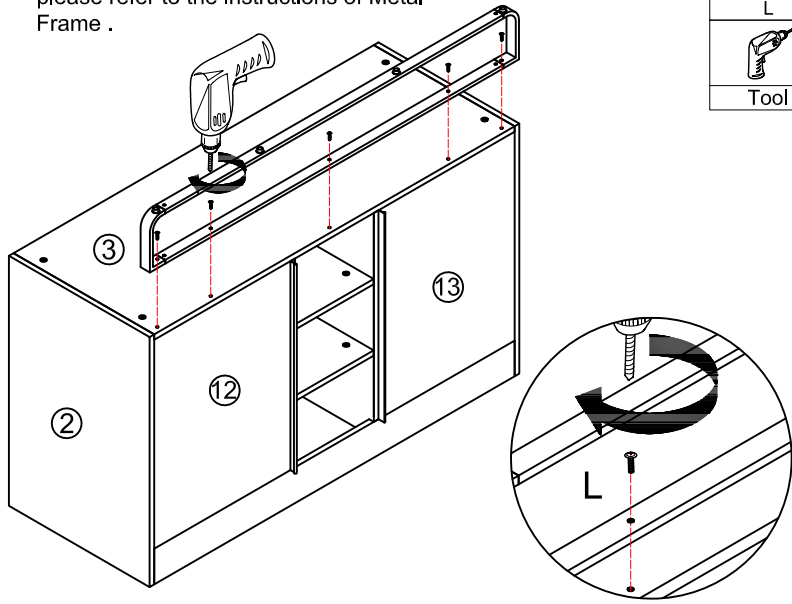




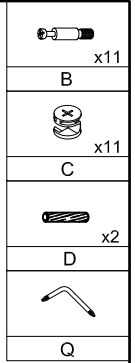
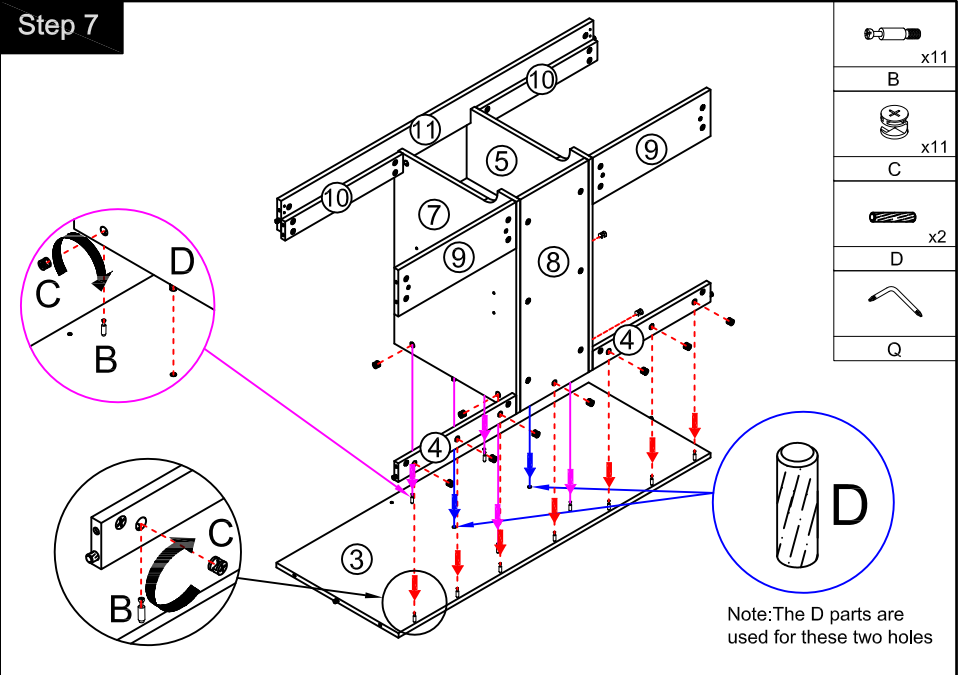


Step 13

For the installation of the metal frame, please refer to the instructions of Metal Frame .

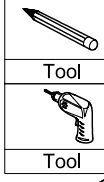
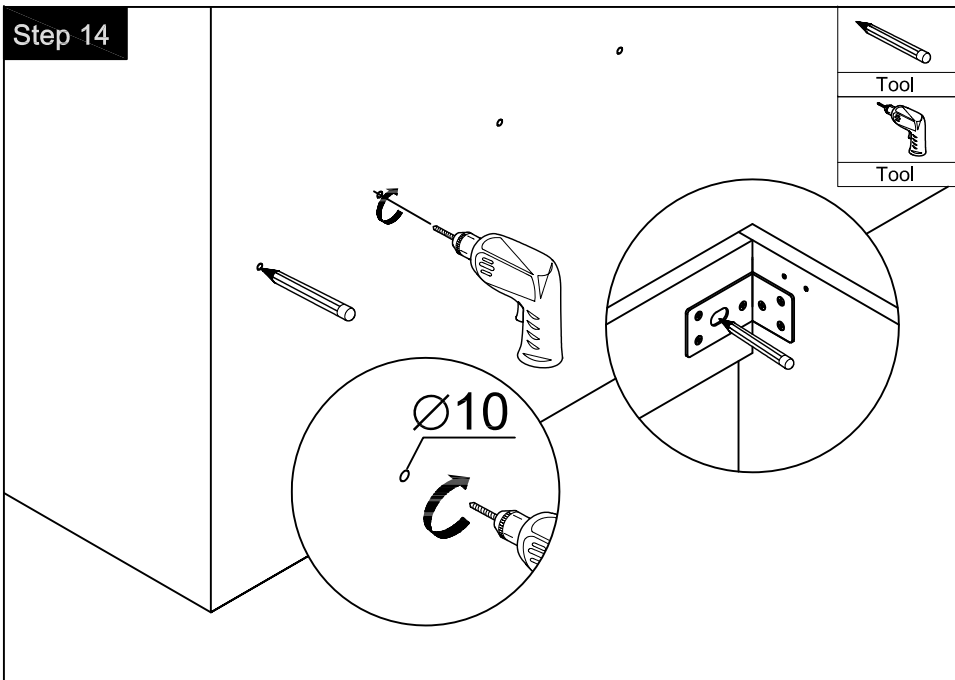


Step 7

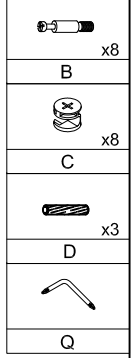
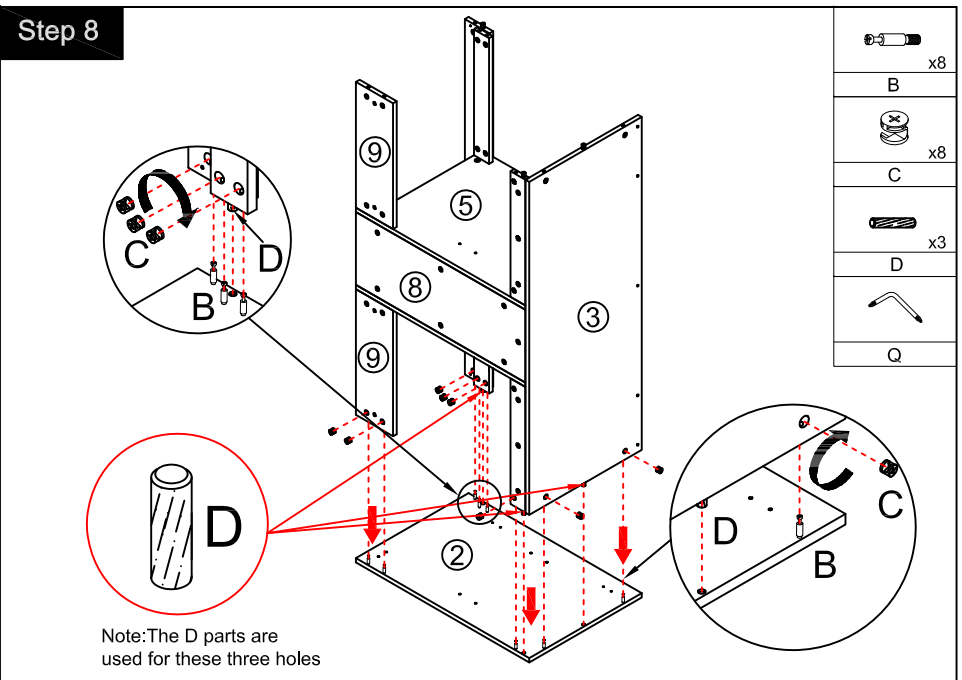


Note: The D parts are used for these two holes

Step 14



Step 8



Note: The D parts are used for these three holes

