

IMPORTANT NOTICE

- This product contains small components, please ensure that they are kept away from small children.
- THIS INSTRUCTIONS CONTAINS IMPORTANT SAFETY INFORMATION. PLEASE READ BEFORE ASSEMBLY AND KEEP FOR FUTURE REFERENCE.
- Read each step carefully. It is very important that each step of instruction is performed in the correct order. If these steps are not followed in sequence, assembly difficulties will occur.
- Make sure all parts are included. Most parts are labelled or stamped on the raw edge.
- Work in spacious area, preferably on a carpet, near the place the unit will be used.
- Do not use power tools to assemble your furniture. Power tools may strip or damage the parts.
- Move your new furniture carefully, with two people lift and carry the unit to it's new location.
- Never push, drag or pull your furniture (especially on carpet)



PLEASE DO NOT RETURN PRODUCT TO US IMMEDIATELY

If a part is missing or damaged, email our customer service. We will gladly ship your replacement parts FREE of charge.

Need Parts or Assistance? Email us : cs@nbrehome.com

For Prompt, reliable service, please have your assemble instruction ready

 WARNING!	
	<p>Children have died from furniture tipover. To reduce the risk of furniture tipover:</p> <ul style="list-style-type: none">• ALWAYS install anti-tip device provided.• NEVER put a TV on this product.• NEVER allow children to stand, climb or hang on any drawers, doors, or shelves.• NEVER open more than one drawer at a time.• Place heaviest items in the lowest drawers. <p>This is a permanent label. Do not remove!</p>
	

Total number of boards required for this product: 19pcs

Includes frame plate: 15pcs

part 1*1pcs

part 4*1pcs

part 7*1pcs

part 10*4pcs

part 2*1pcs

part 5*2pcs

part 8*1pcs

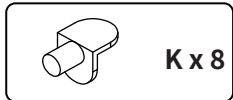
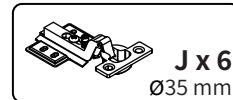
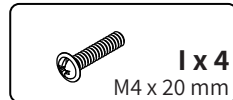
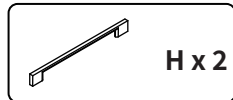
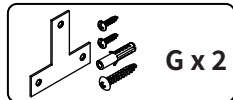
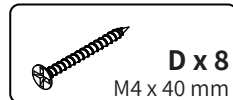
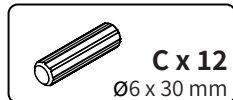
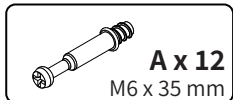
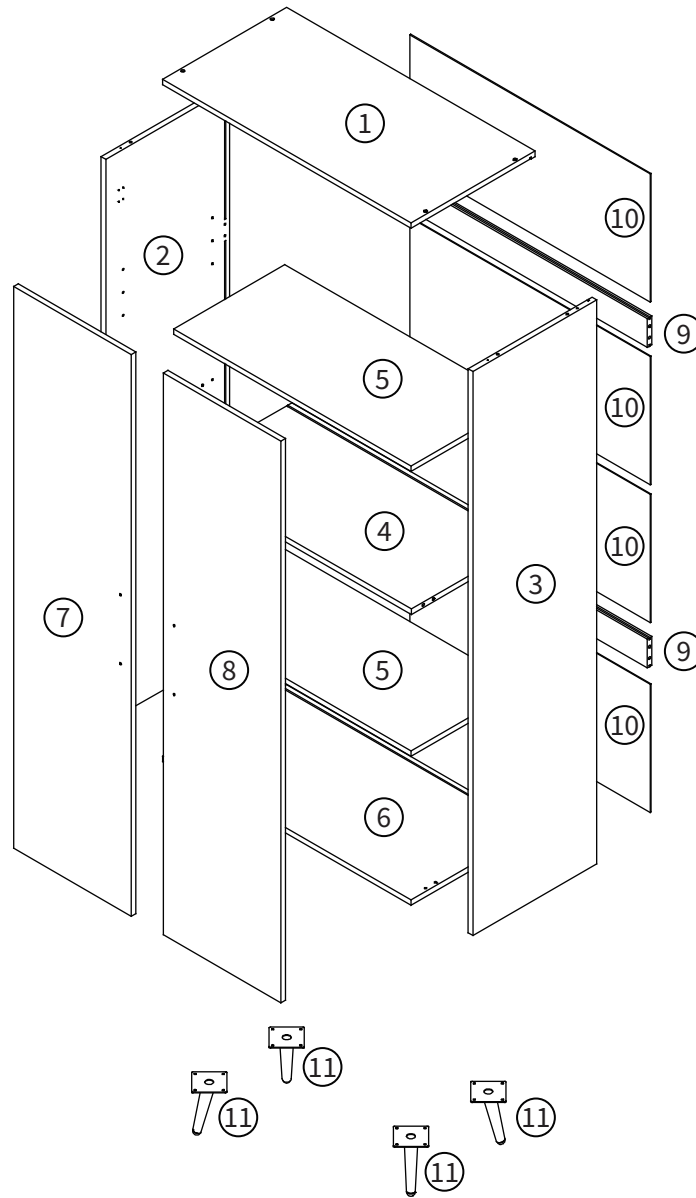
part 3*1pcs

part 6*1pcs

part 9*2pcs

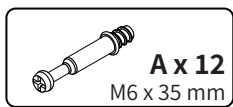
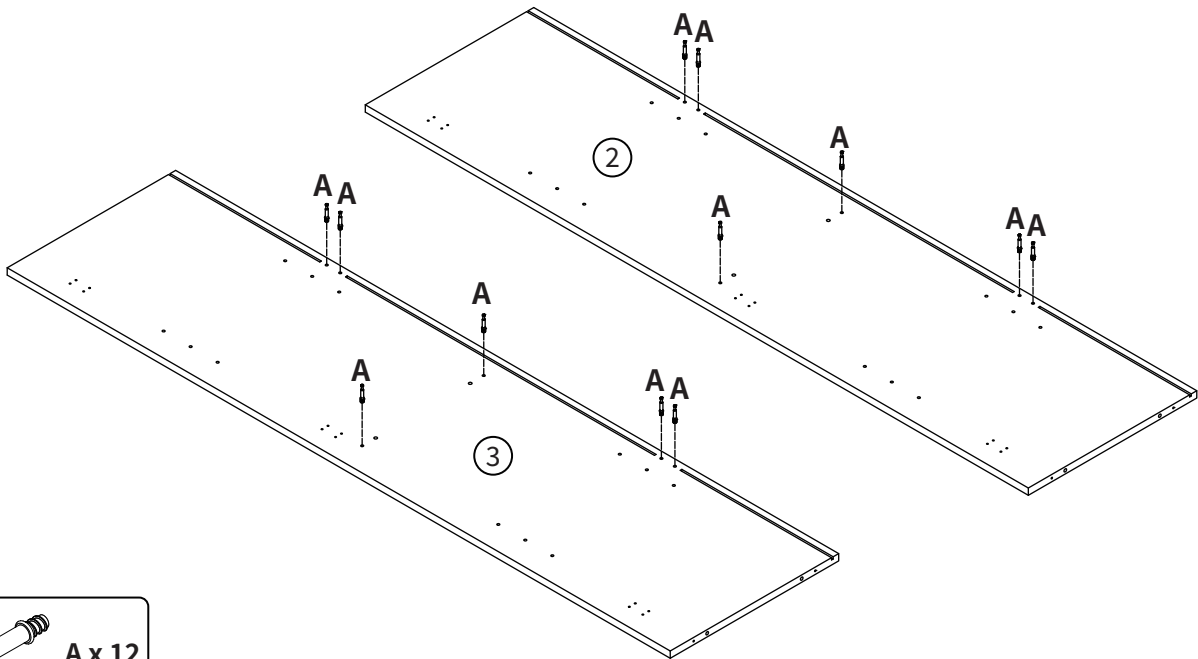
Includes feet: 4pcs

part 11*4pcs



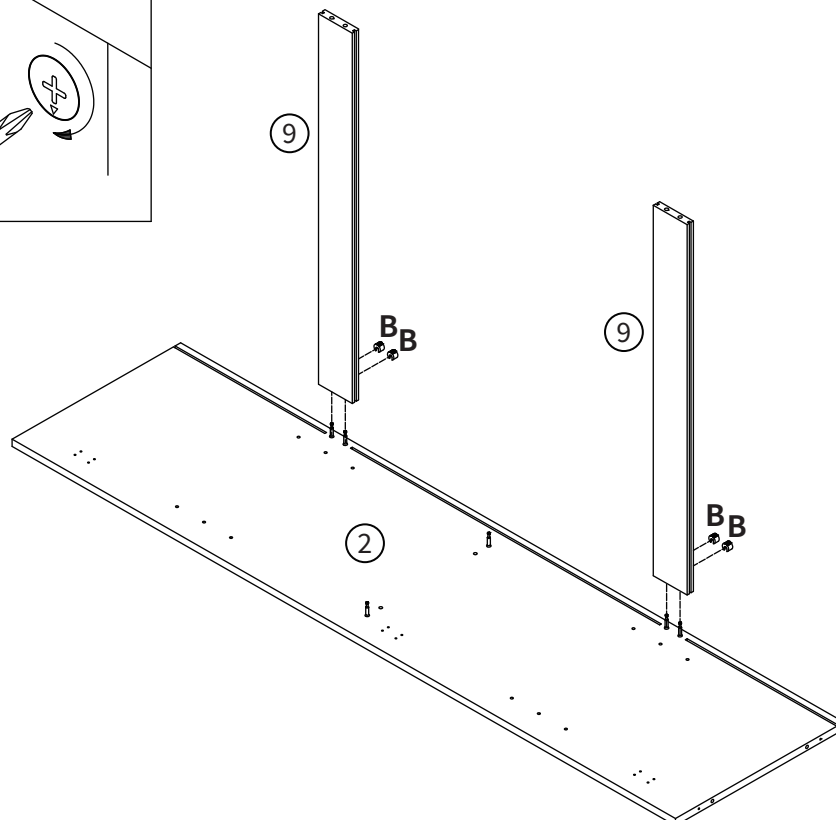
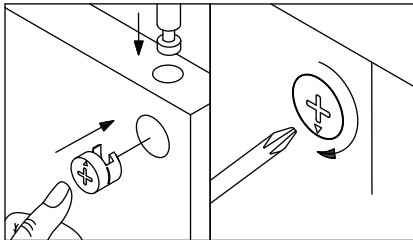
Step 1

Lock screw (A) on the part ② and ③. The installation position is as shown in the figure below.



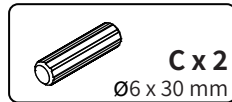
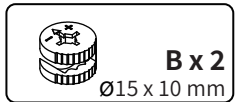
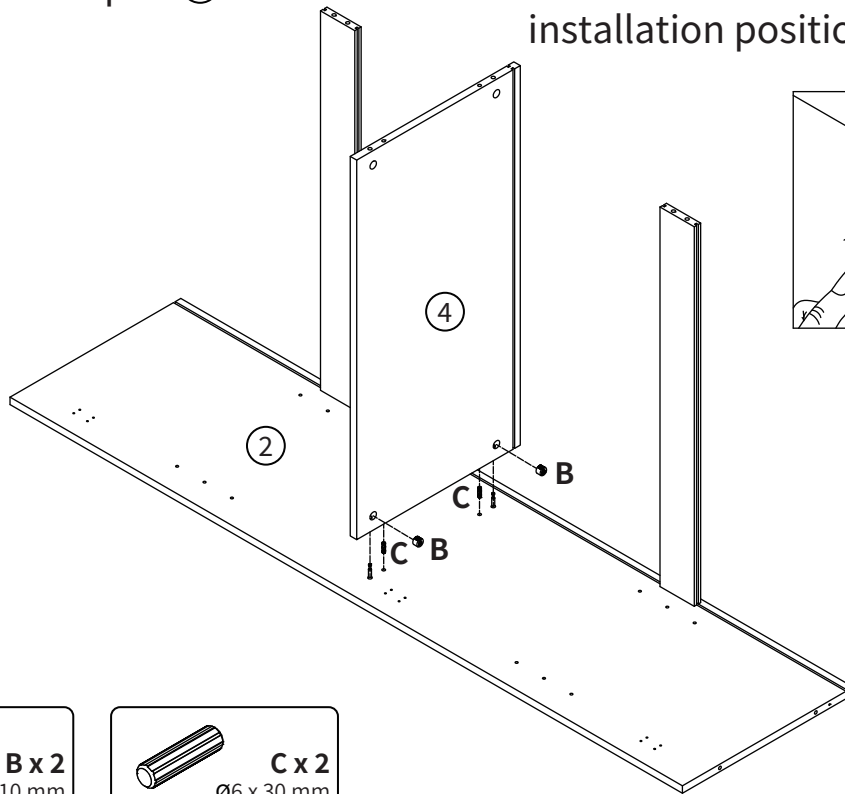
Step 2

Put eccentric (B) into the corresponding hole in the part ⑨ and tighten the part ② and ⑨ by turning it clockwise with a screwdriver. The following figure shows the installation position.



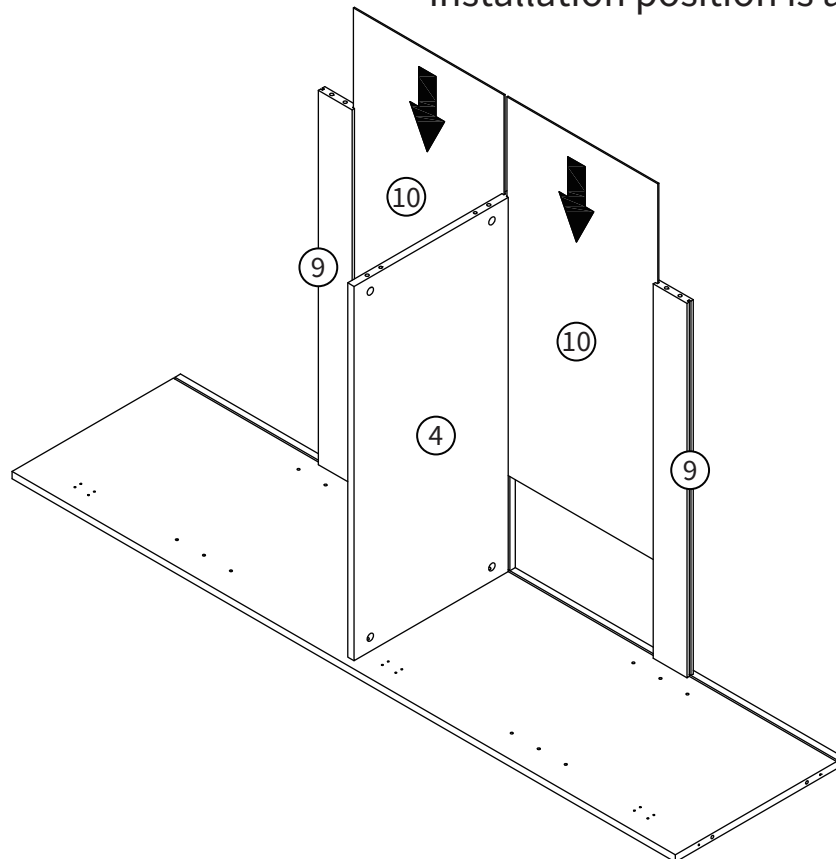
Step 3

Insert the dowel (C) into part ② first, then assemble parts ② and part ④, put the eccentric (B) into the corresponding hole on part ④ and use a screwdriver to turn it clockwise to tighten. The installation position is as shown below.



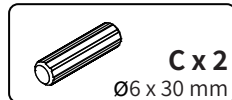
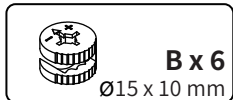
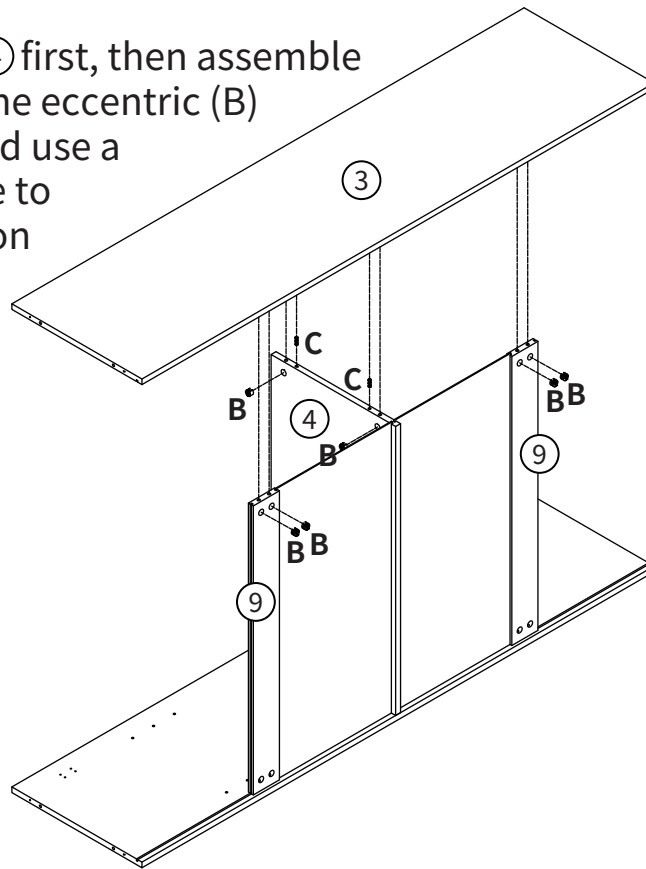
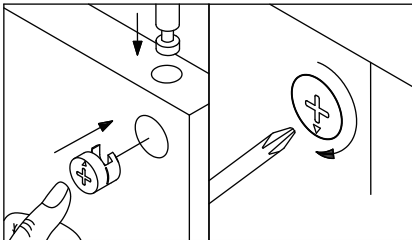
Step 4

Insert the part ⑩ into the slots of the parts ④ and ⑨. The installation position is as shown below.



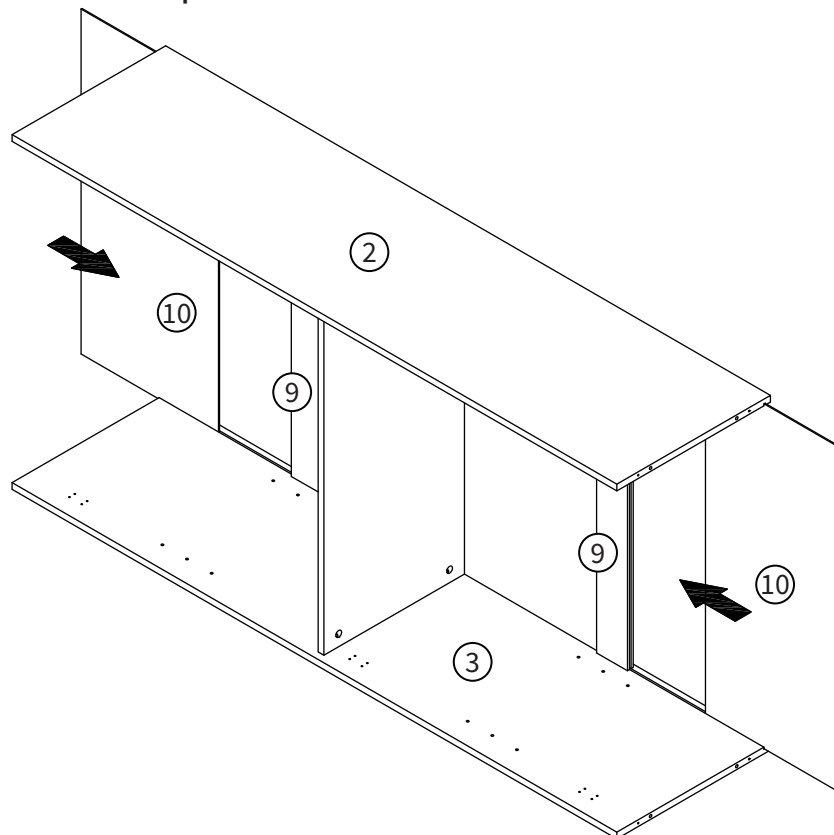
Step 5

Insert the dowel (C) into part ④ first, then assemble parts ③, ④ and part ⑨, put the eccentric (B) into the corresponding hole and use a screwdriver to turn it clockwise to tighten. The installation position is as shown below.



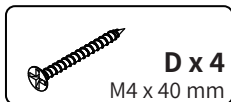
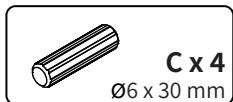
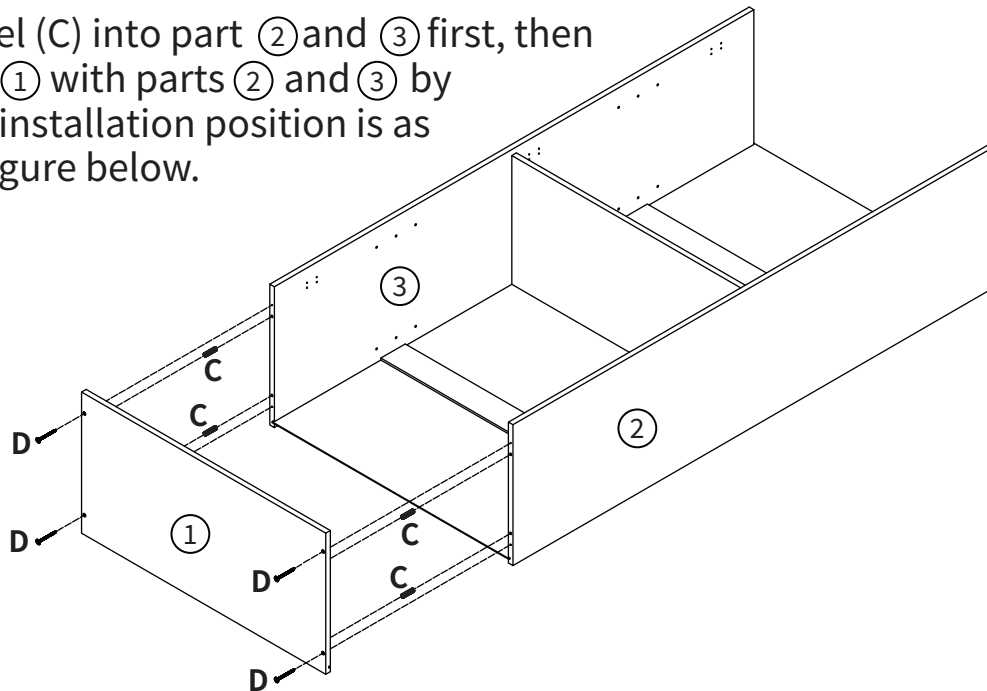
Step 6

Insert the part ⑩ into the slots of the parts ②, ③ and ⑨. The installation position is as shown below.



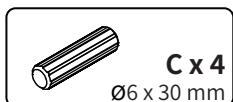
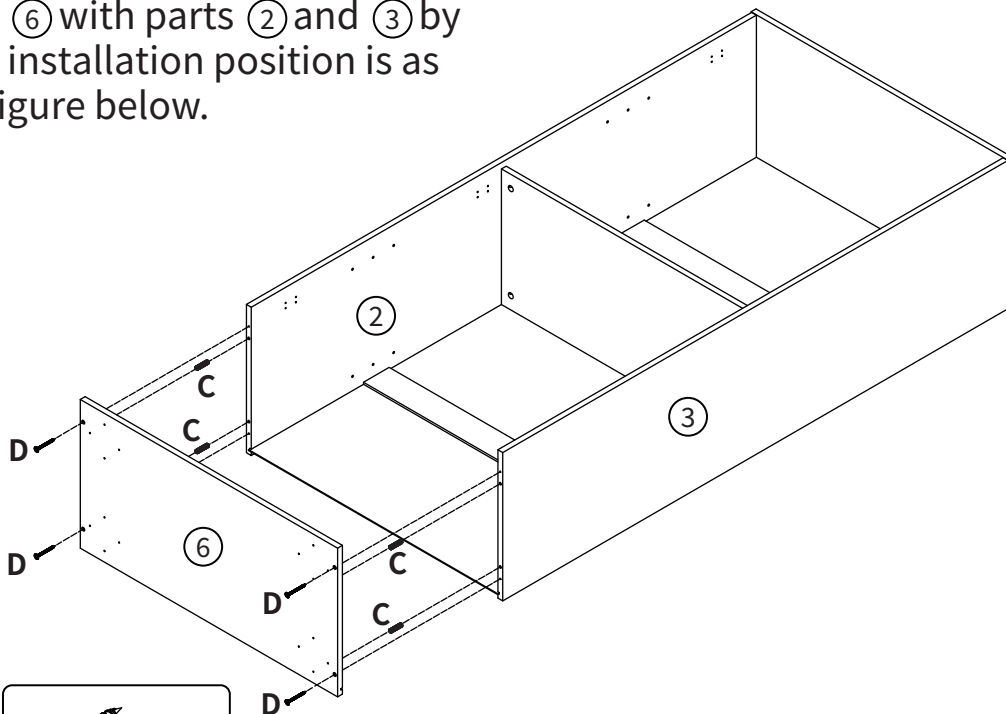
Step 7

Insert the dowel (C) into part ② and ③ first, then assemble part ① with parts ② and ③ by screw (D). The installation position is as shown in the figure below.



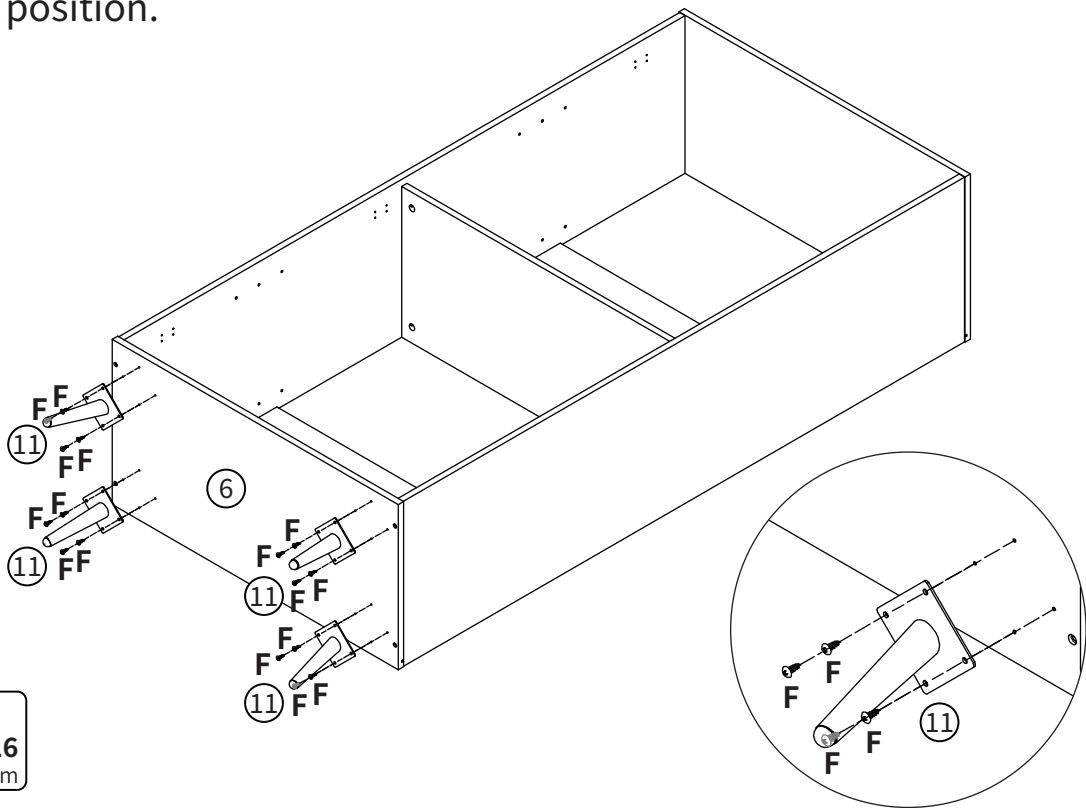
Step 8

Insert the dowel (C) into part ② and ③ first, then assemble part ⑥ with parts ② and ③ by screw (D). The installation position is as shown in the figure below.



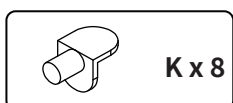
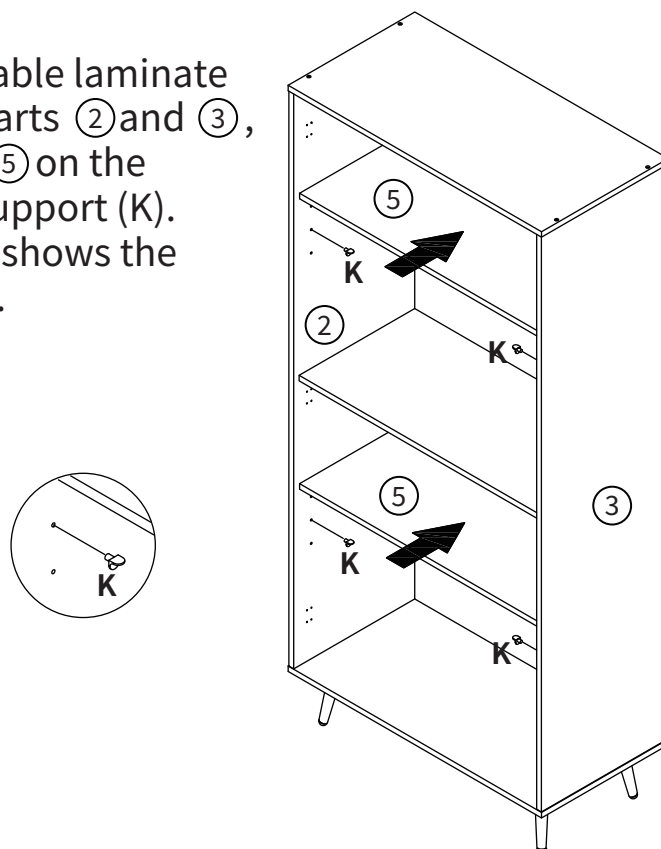
Step 9

Attach the part ⑪ to the part ⑥ with screw (F). The following figure shows the installation position.

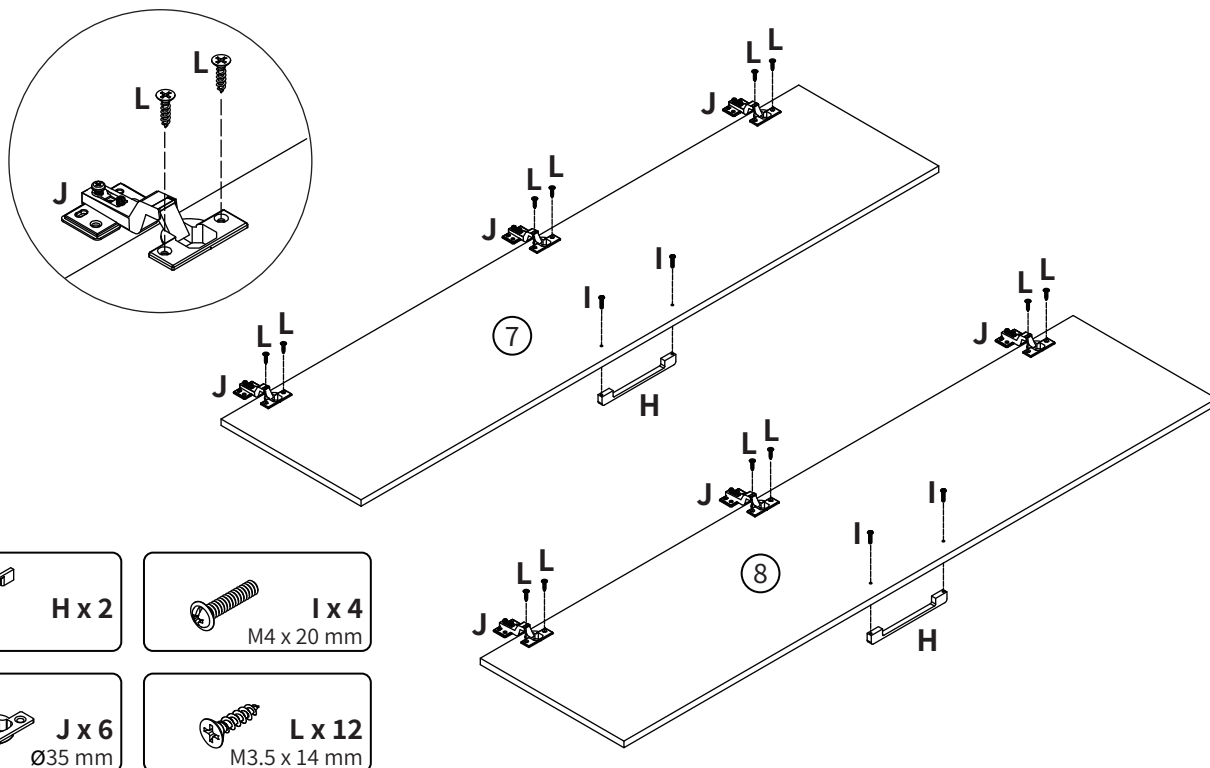


Step 10

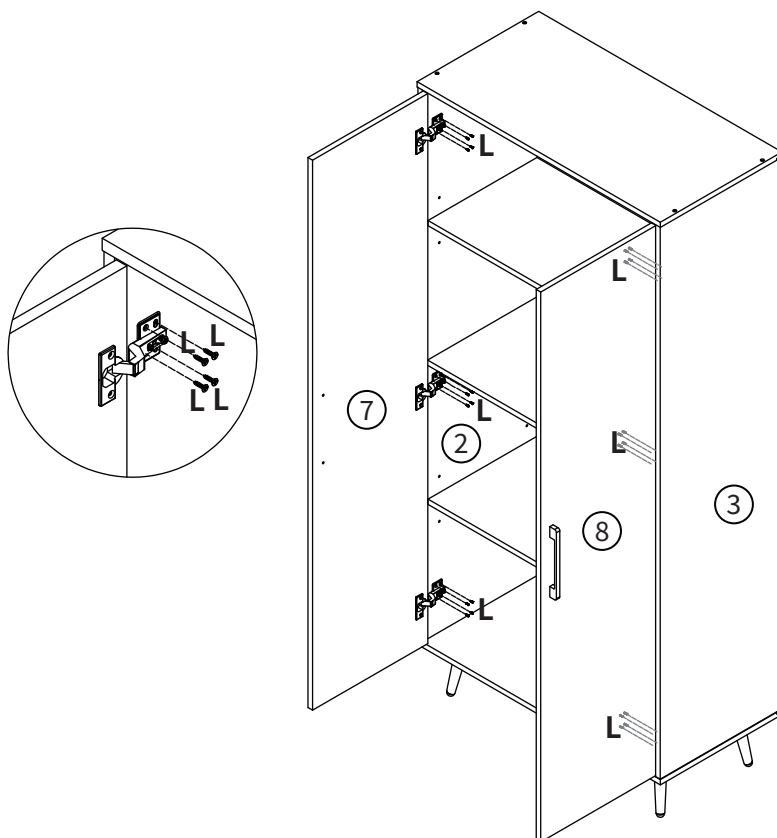
First install the movable laminate support (K) on the parts ② and ③, then place the part ⑤ on the movable laminate support (K). The following figure shows the installation position.



Step 11 Attach handle (H) to part ⑦ and part ⑧ with screw (I), then assemble hinge (J) on part ⑦ and part ⑧ with screw (L). The following figure shows the installation position.

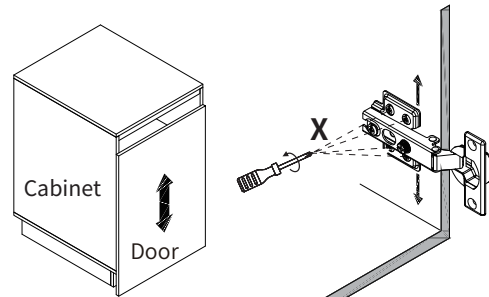
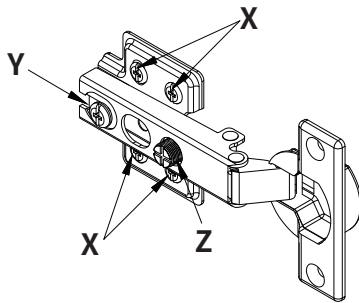


Step 12 Attach part ⑦ and ⑧ to part ② and ③ with screw (L).

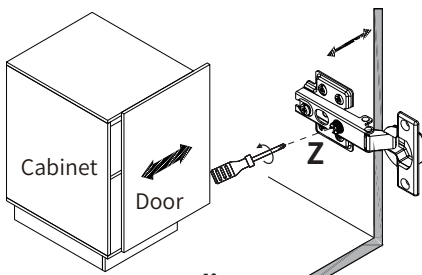


Step 13

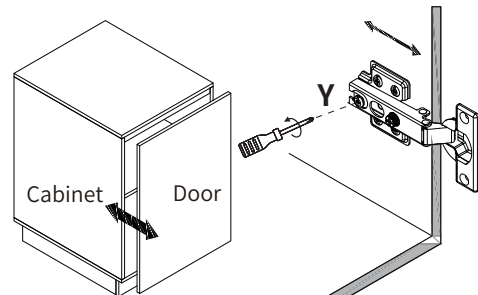
Hinges Adjustment Tips



Loosening screw X can adjust the door panel vertically.



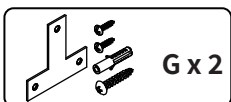
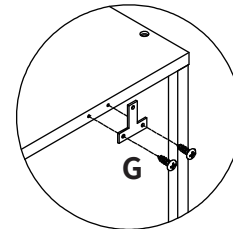
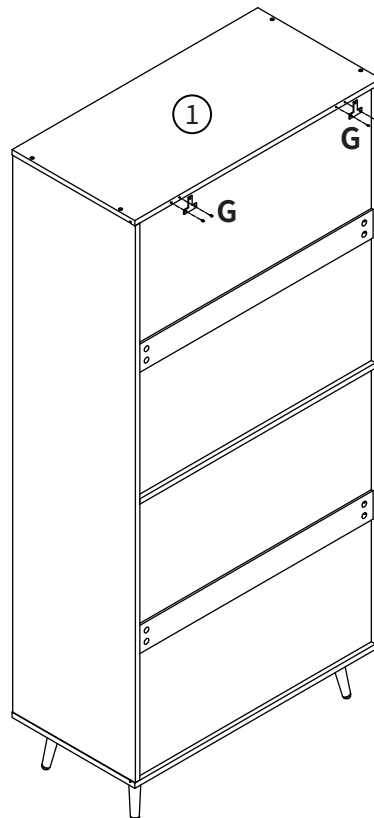
Loosening screw Z can adjust the door panel horizontally.



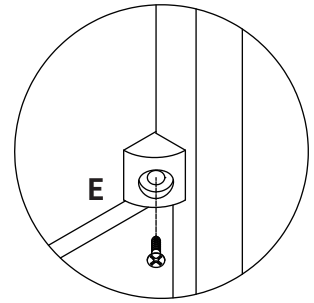
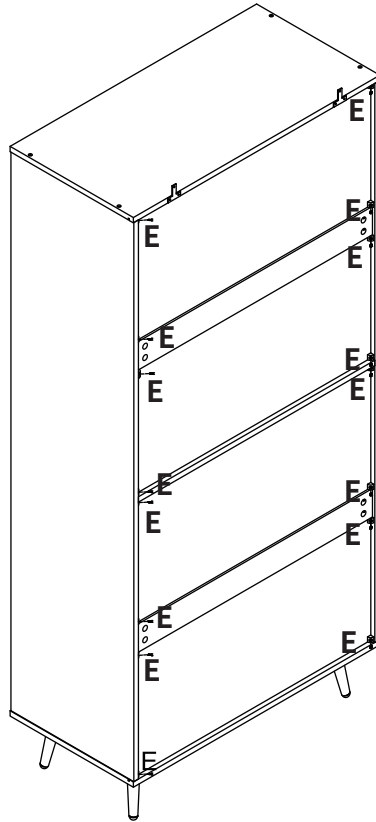
Loosening screw Y can adjust the door panel in-and-out.

Step 14

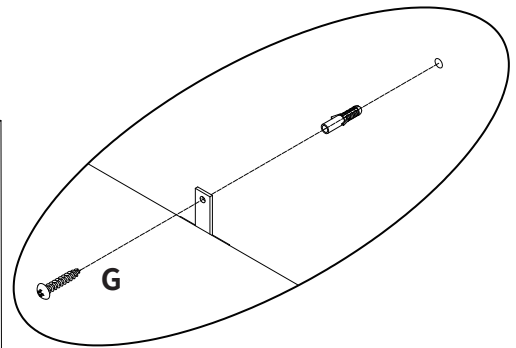
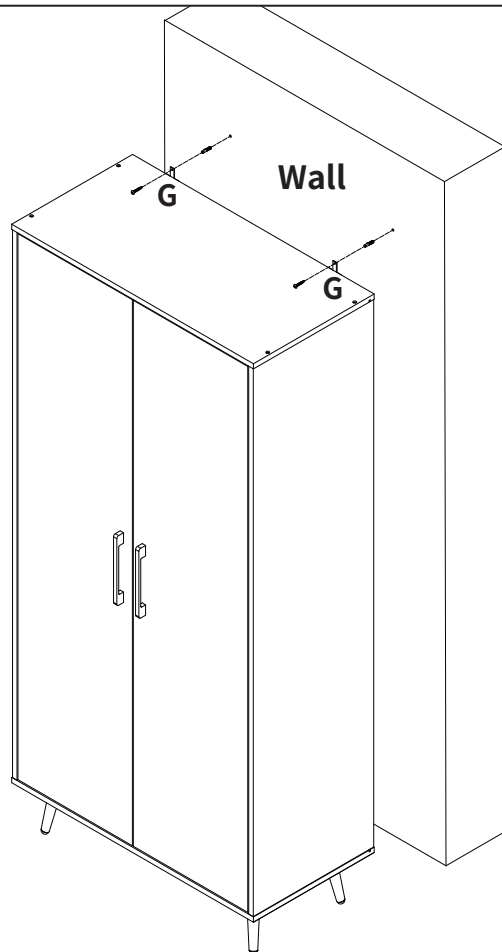
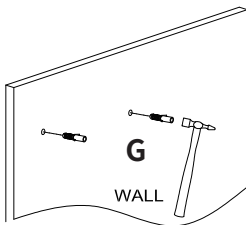
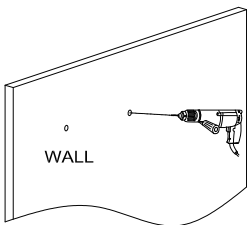
Use the small screws in the hardware bag (G) to lock the piece of iron to the part ①. The following figure shows the installation position.



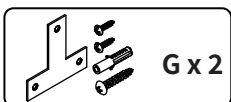
Step 15 Lock the backplane buckle (E) to the four corners of the backplane. The following figure shows the installation position.



Step 16



Hardware (G) into the wall with a hammer, and then use the long screws in hardware (G) the expansion screws in the wall. The following figure shows the installation position.



Step 17

