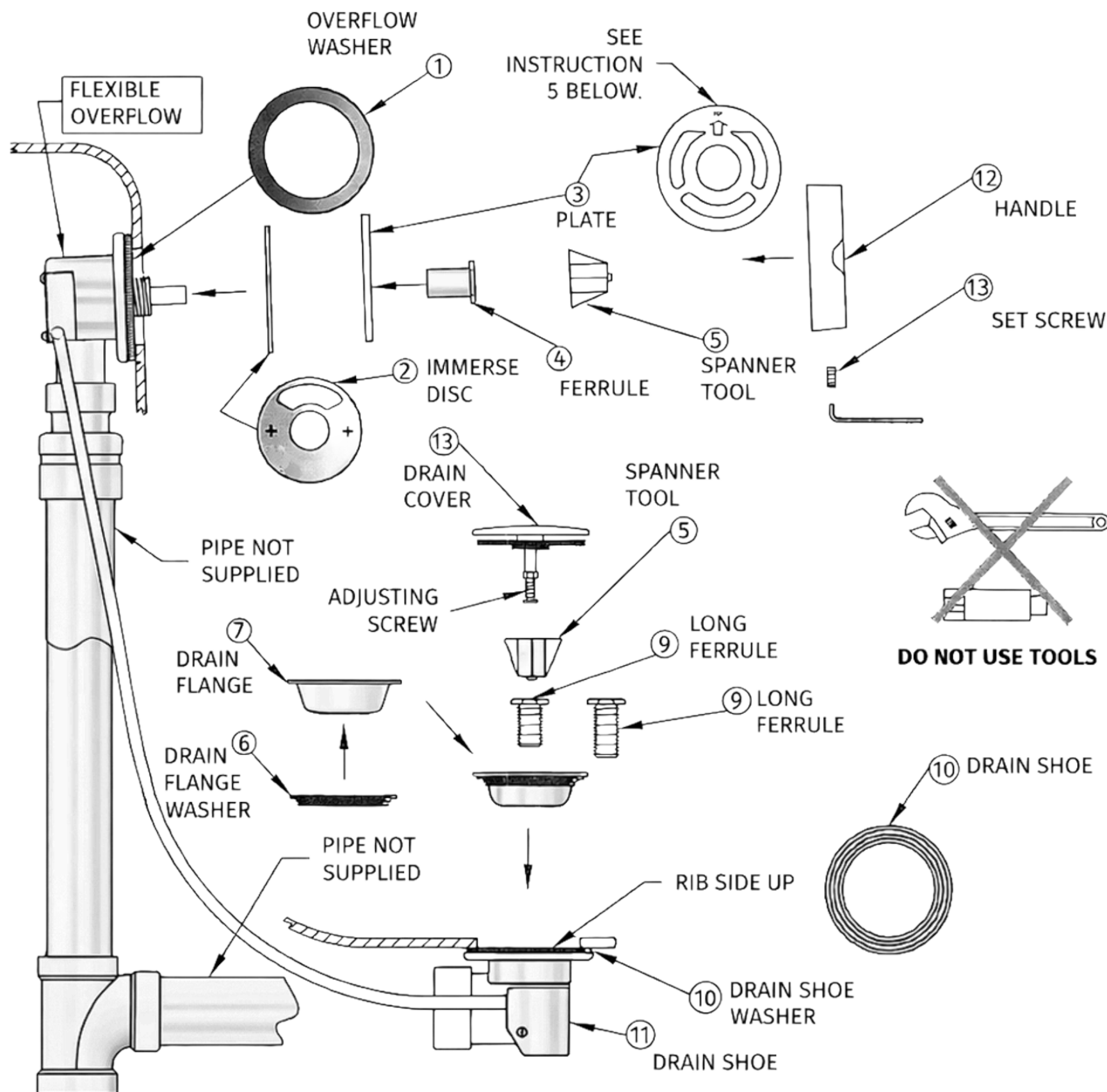


MANUAL INSTALLATION

CABLE OVERFLOW



1. Loosely assemble the overflow, drain shoe & tee to measure and cut pipe sizes.
2. Assemble using the proper solvent.
3. Place overflow washer (1) fully into overflow body. A small amount of non acid silicone will aid sealing.
4. Place immerse disc (2) over handle stem (Located in a separate colored bag).
5. Rotate plate (3) and place over immerse disc (2) See immerse disc instructions.
6. Screw on ferrule (4) loosely, align overflow and parts.
7. **HAND TIGHTEN PLUS A QUARTER TURN USING SPANNER TOOL (5) ONLY.**
8. Push washer (6) onto drain flange (7) as shown. Select the correct size FERRULE (8).
9. Place washer (10) into drain shoe ribs up. A small amount of non acid silicone will aid sealing.
10. Screw ferrule loosely into drain shoe.
11. Install handle (12).
12. Install drain cover (14) and use the adjusting screw to allow the washer to seal on flange.
13. Due to thermal expansion/contraction, house settling, etc, stress may be put on the rigid drain shoe. Before tightening, ensure the drain shoe is not under stress. **HAND TIGHTEN PLUS A QUARTER TURN USING SPANNER TOOL (5)**
14. **DO NOT USE WRENCH OR POWER TOOLS.**
14. Check all joints to insure no leaks.