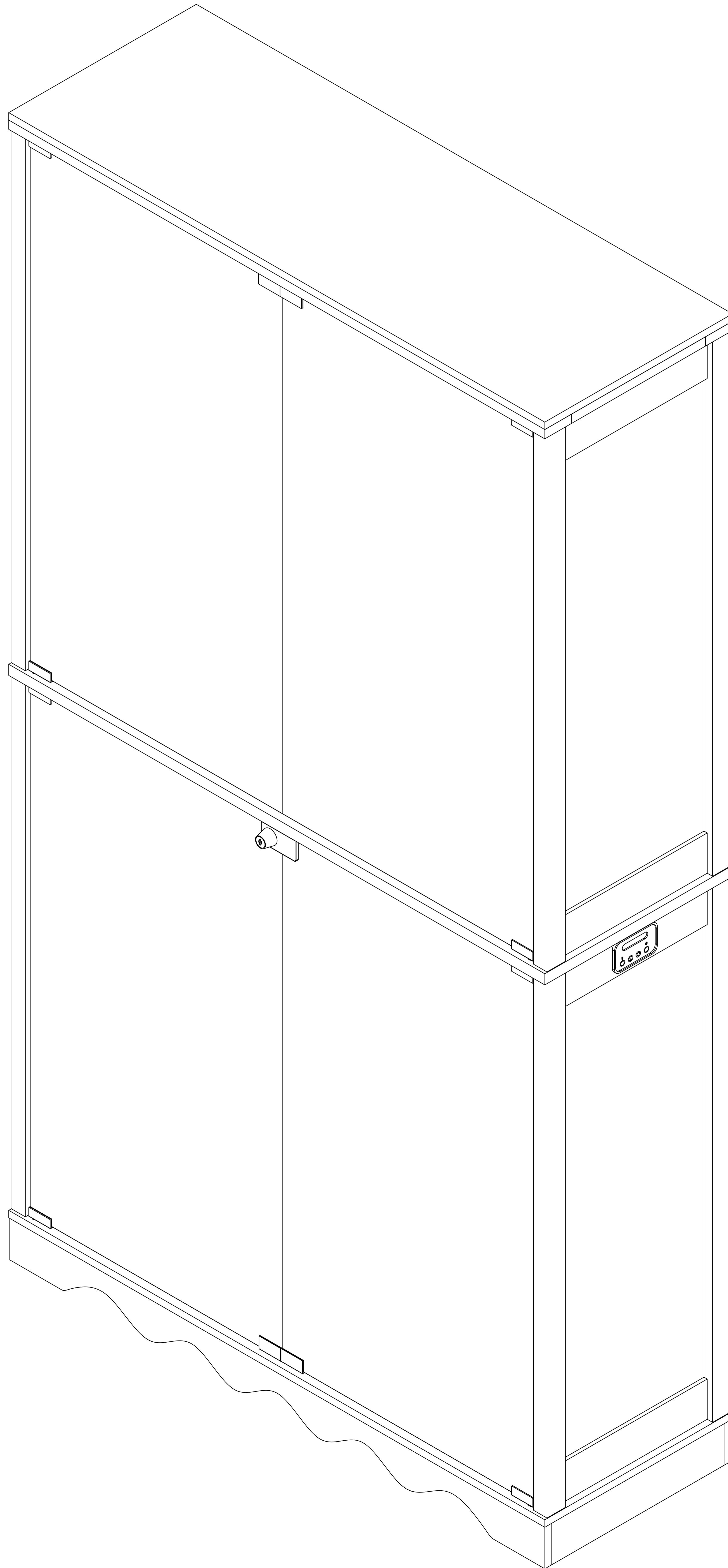
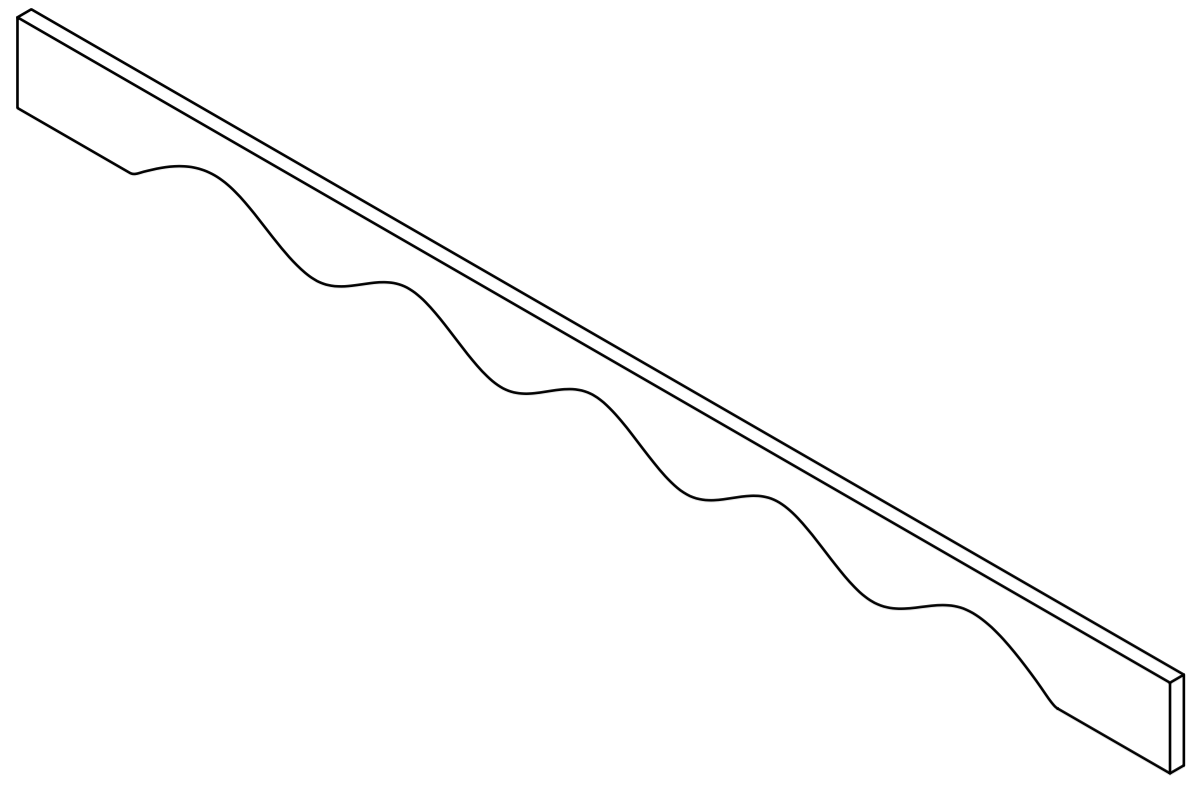
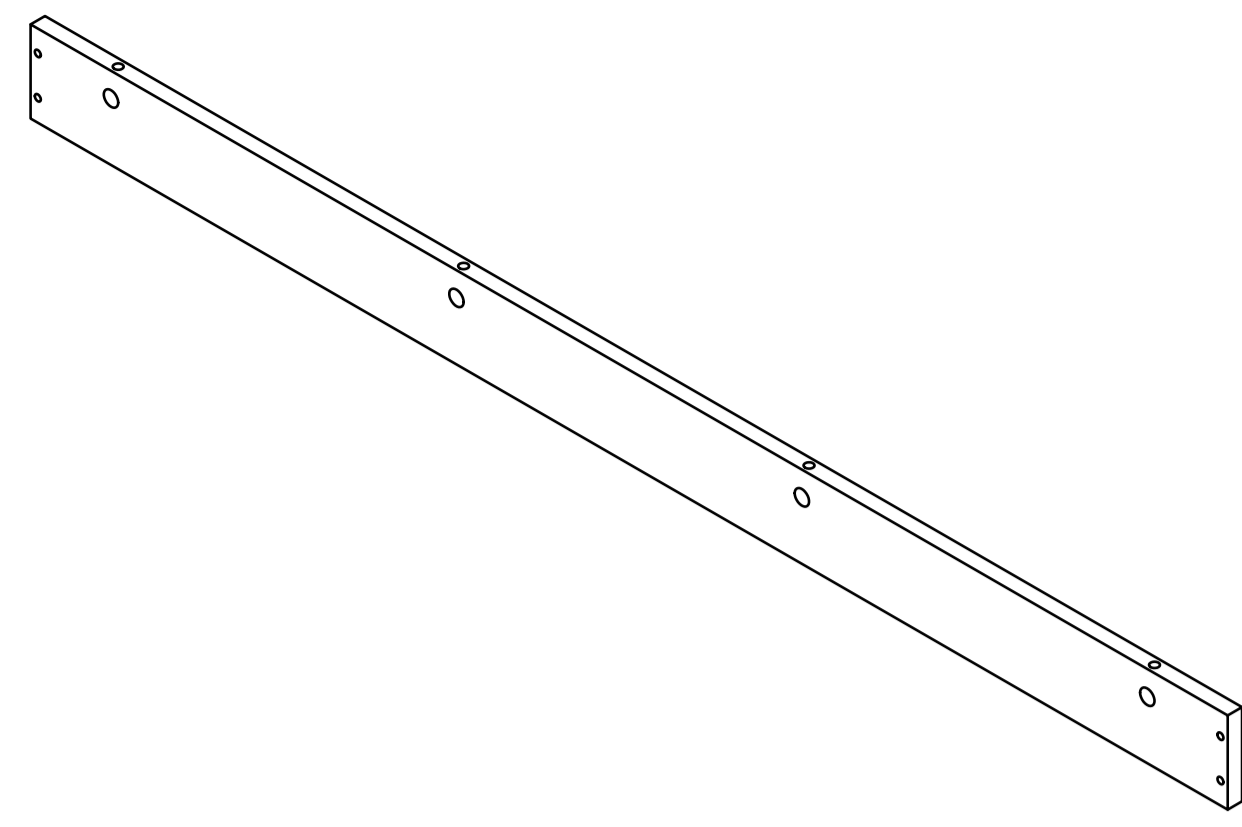


Product Installation Instructions

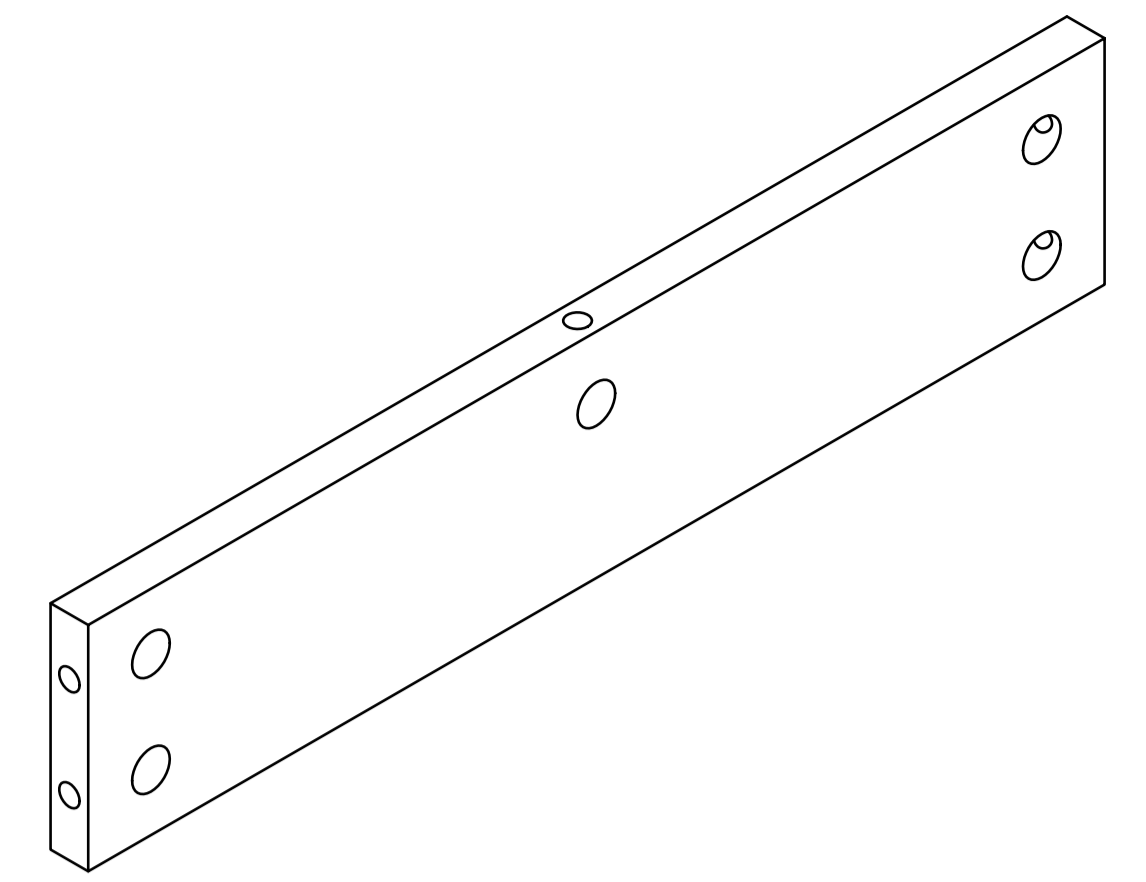




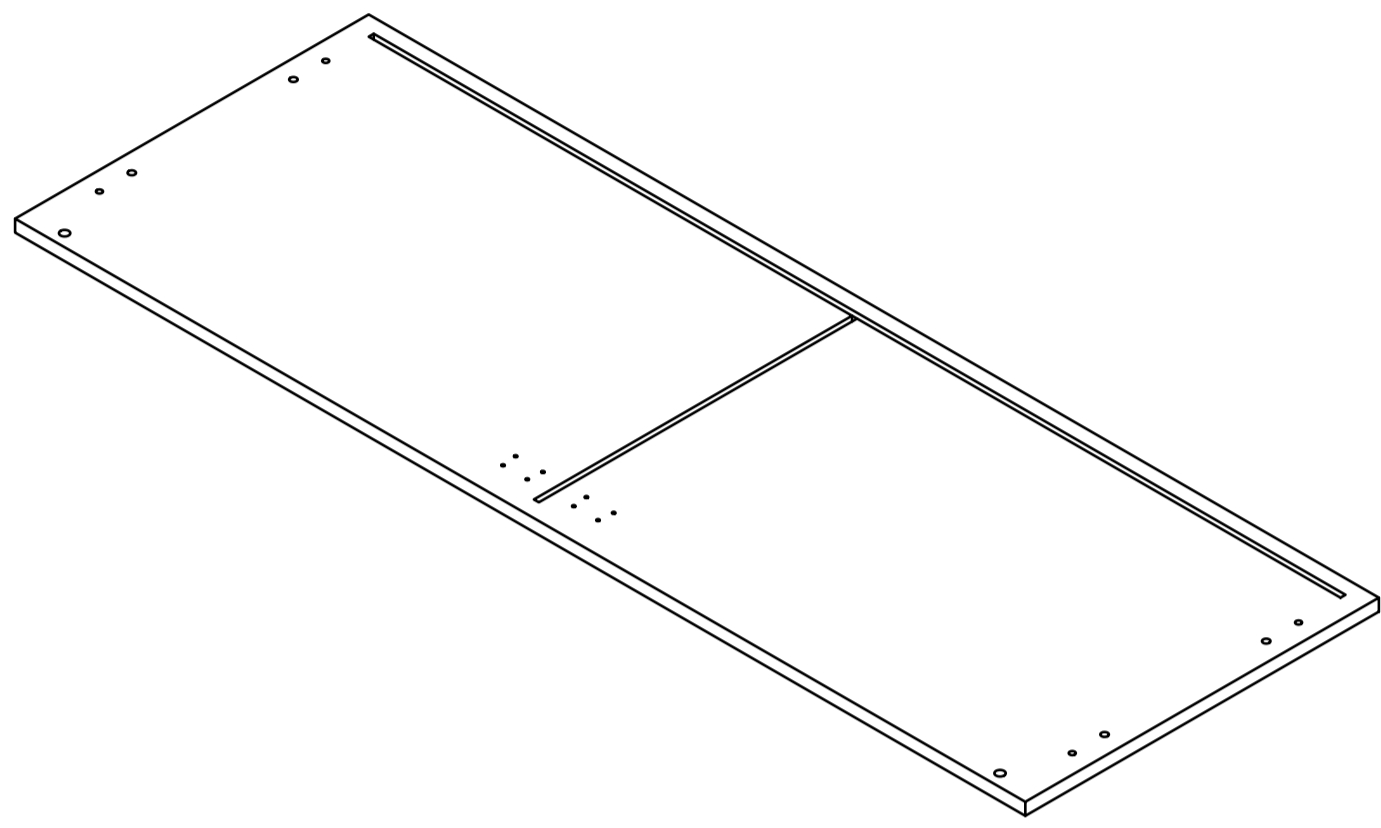
A x1



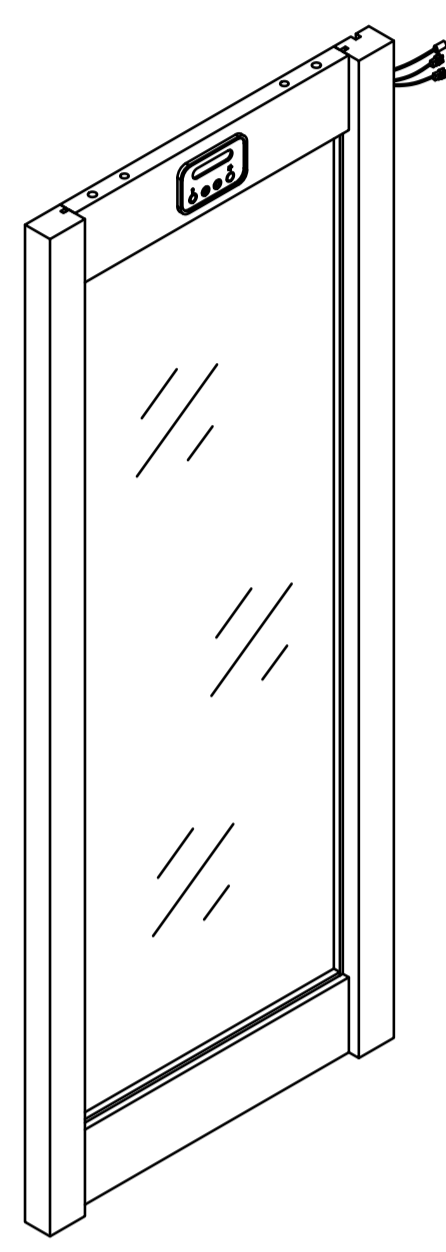
B x1



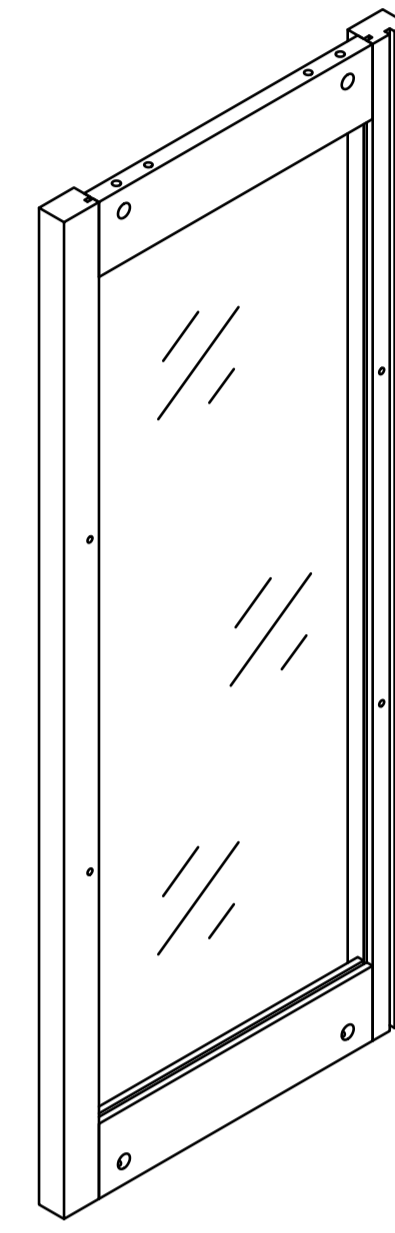
C x2



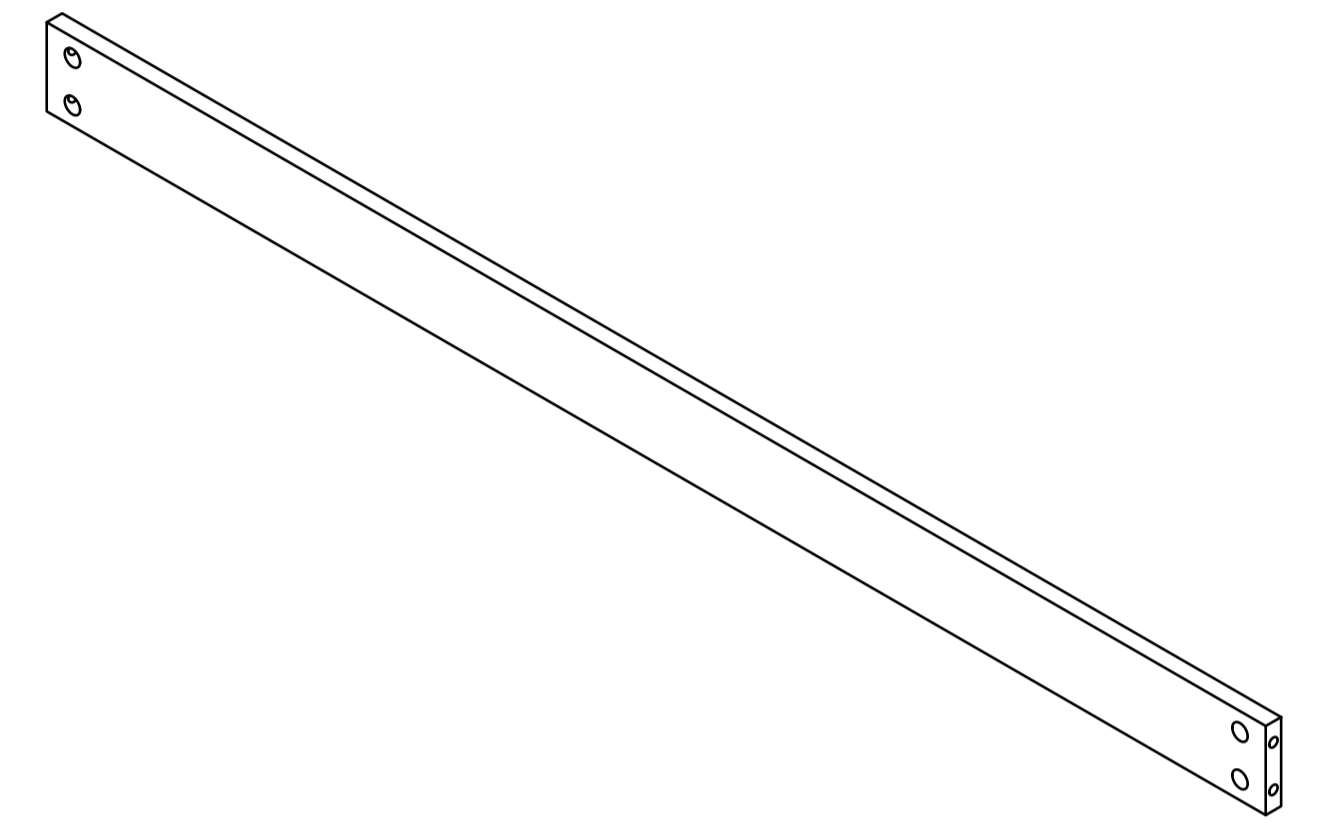
D x1



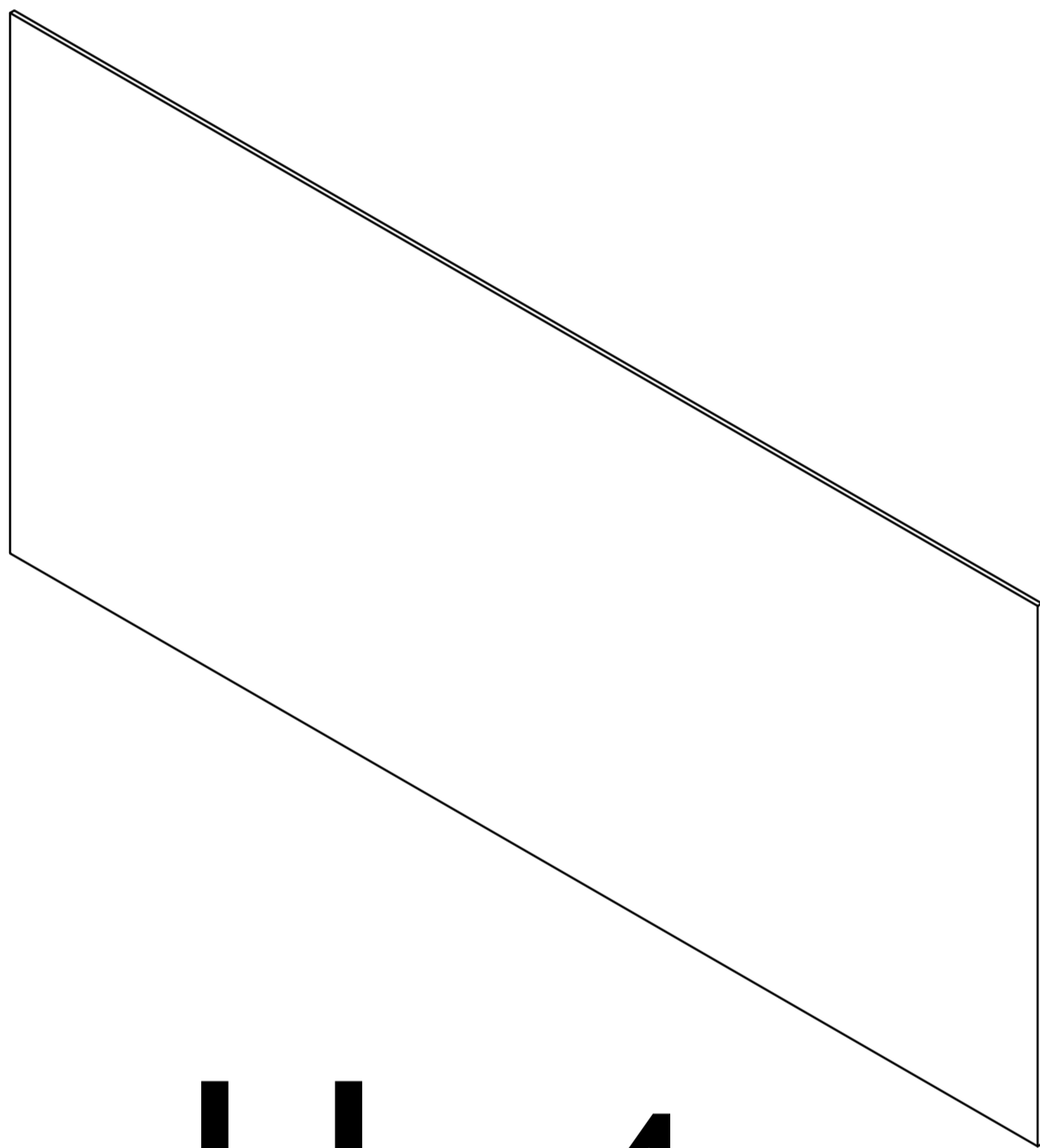
E x1



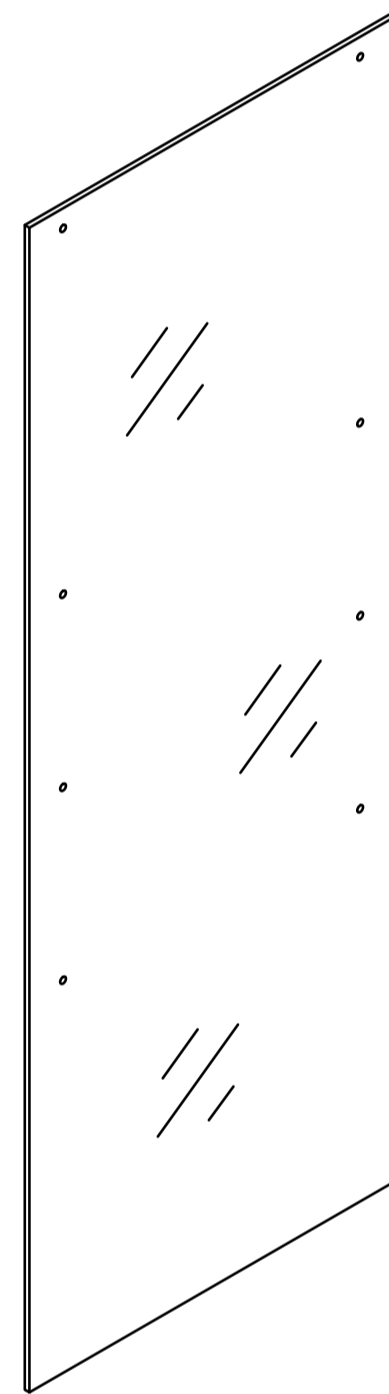
F x1



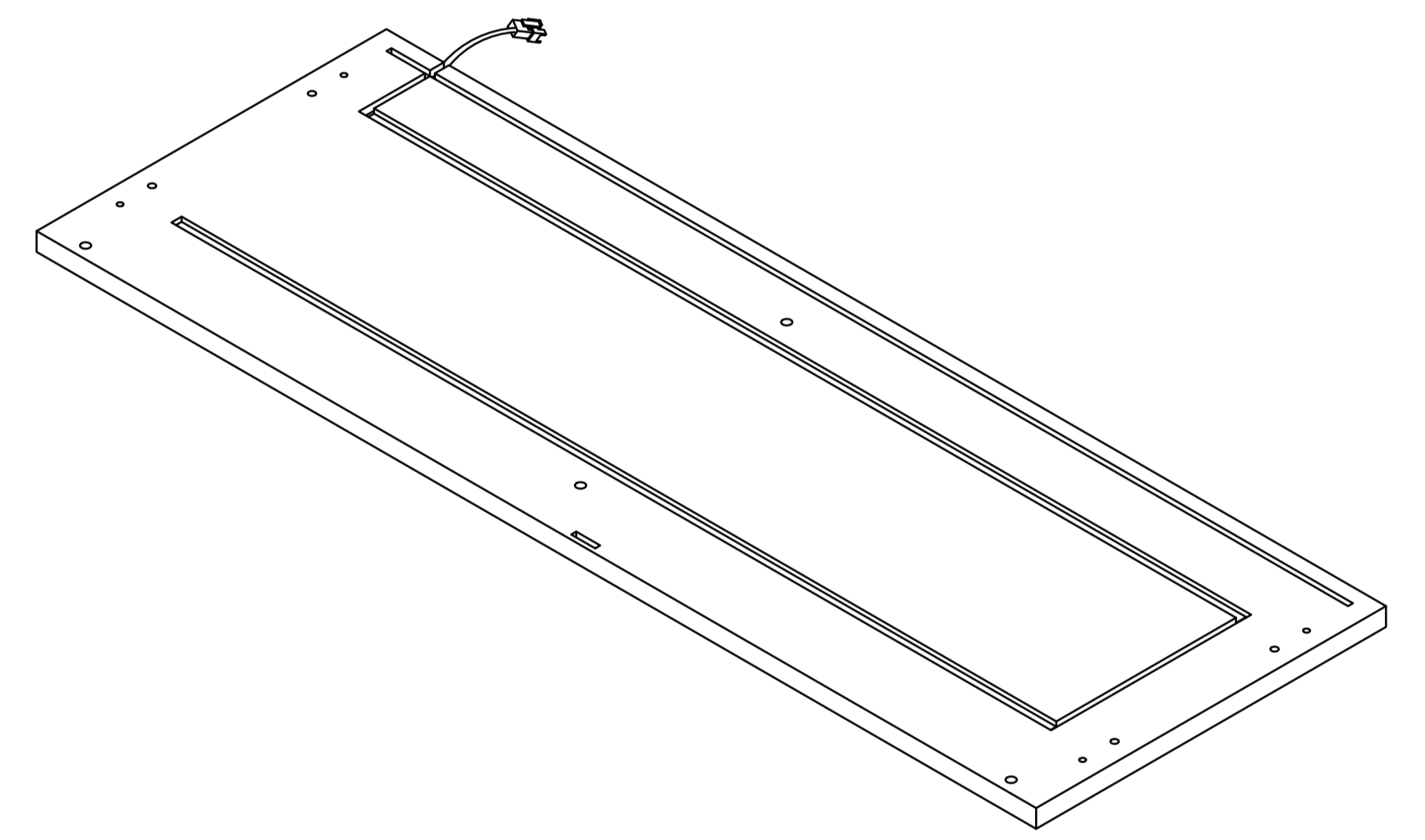
G x2



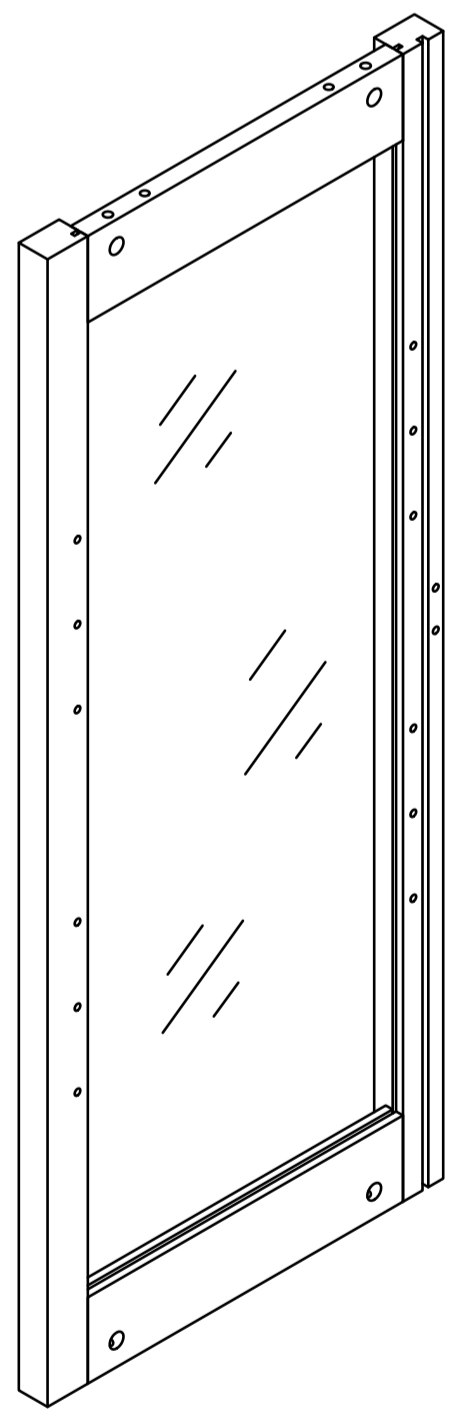
H x4



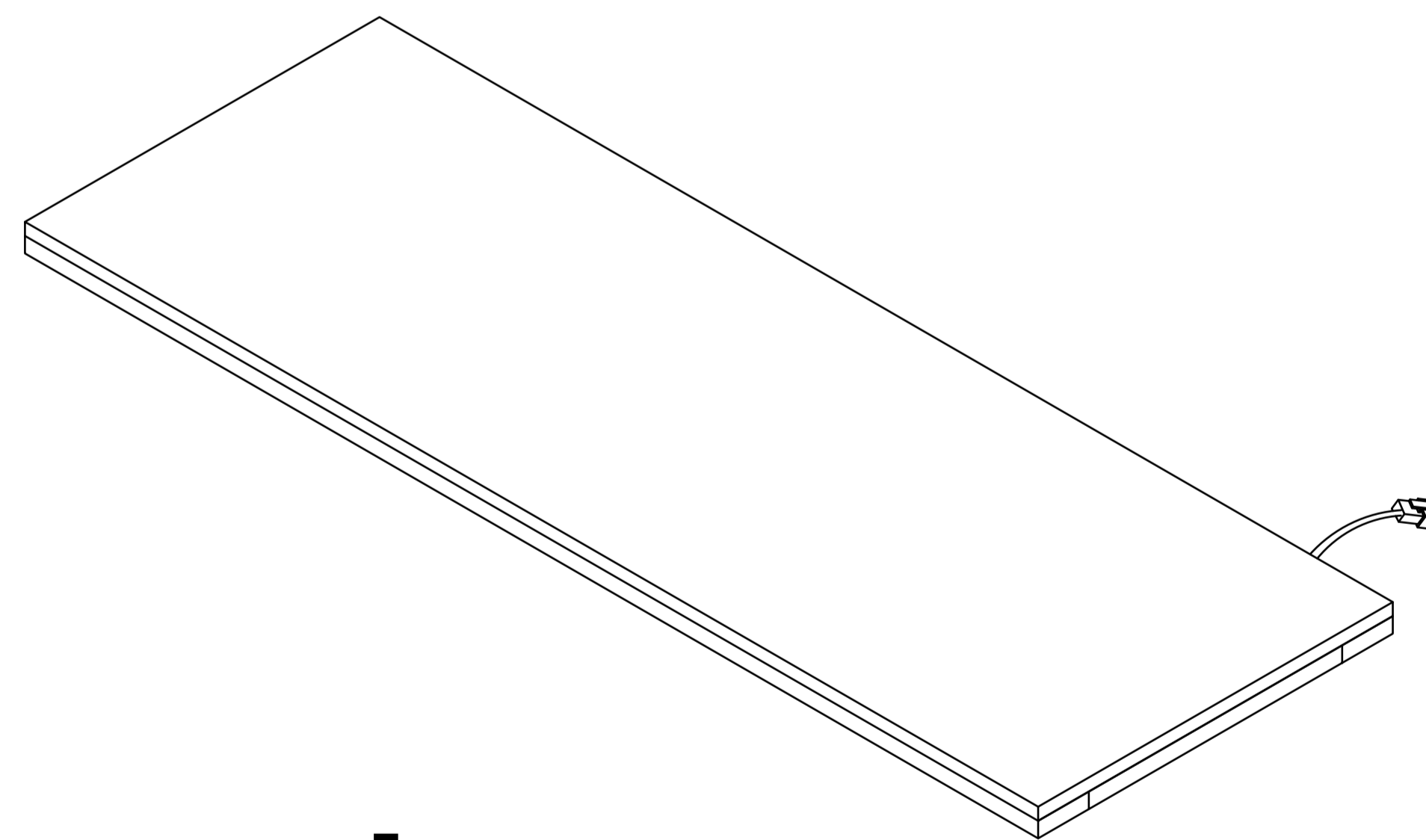
I x1



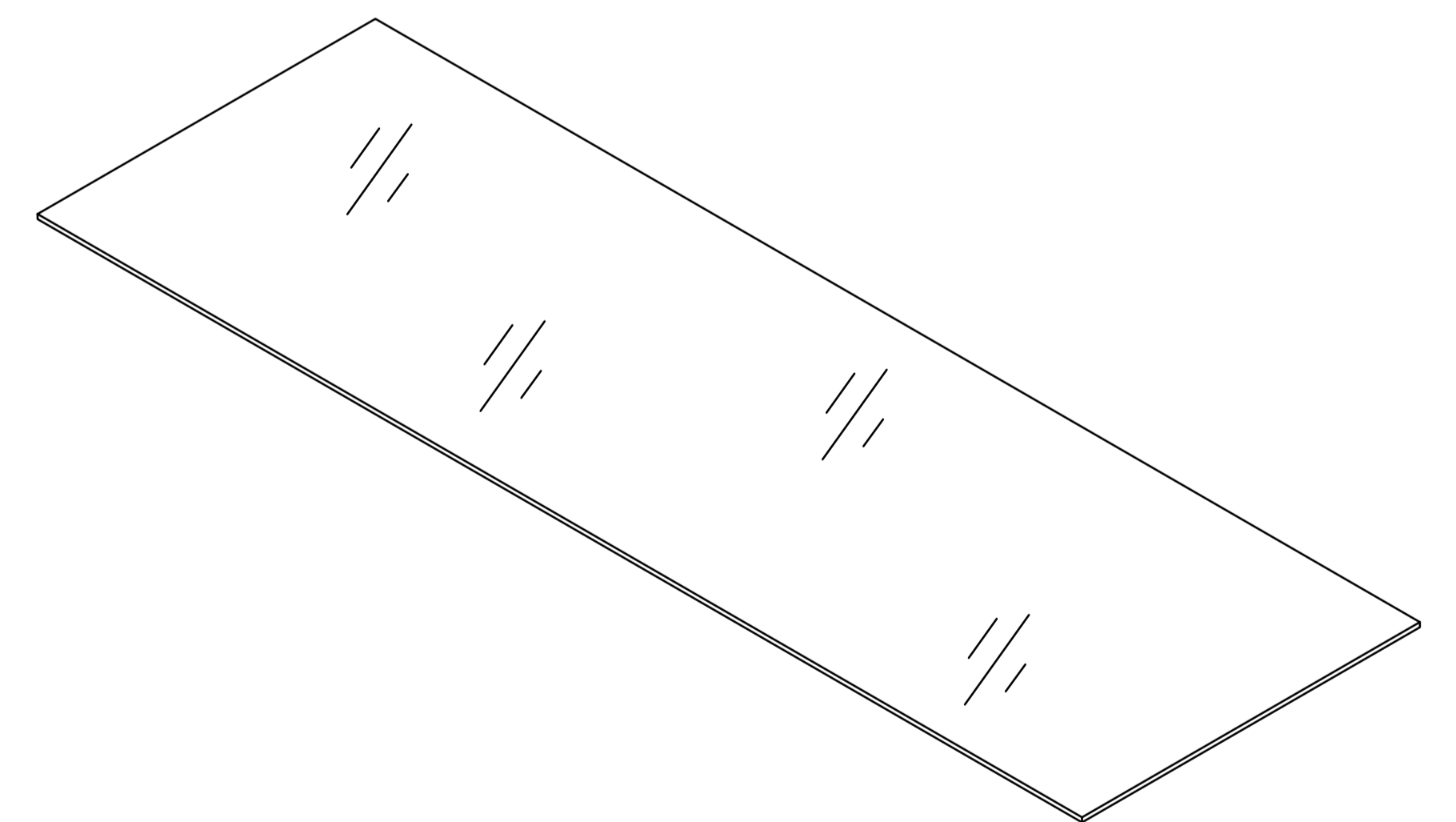
J x1



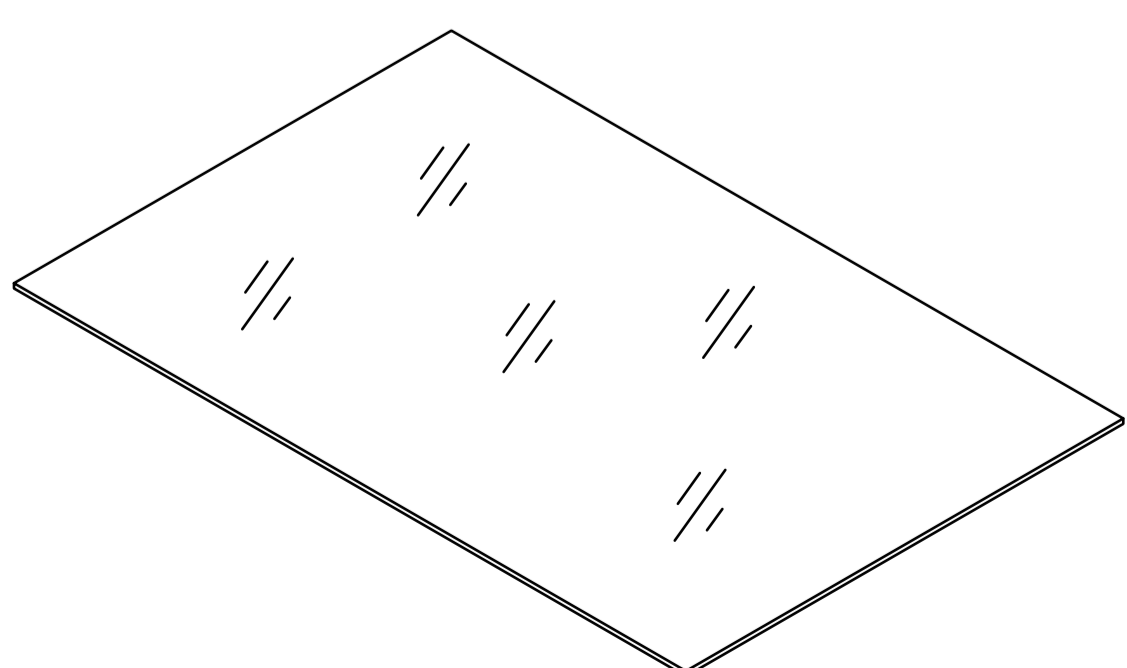
K x2



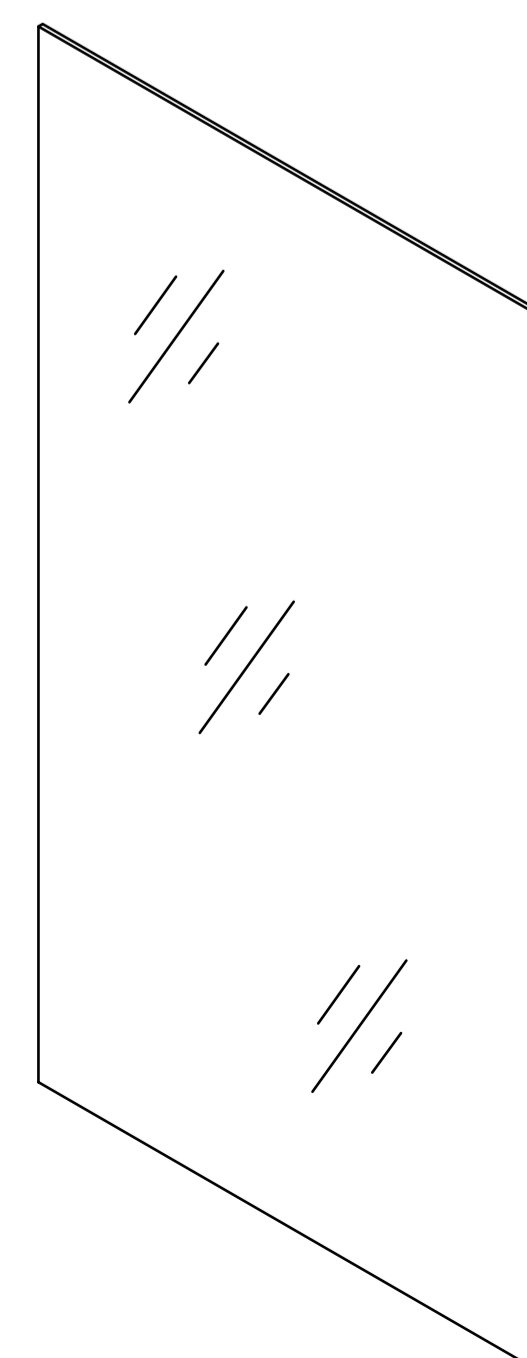
L x1



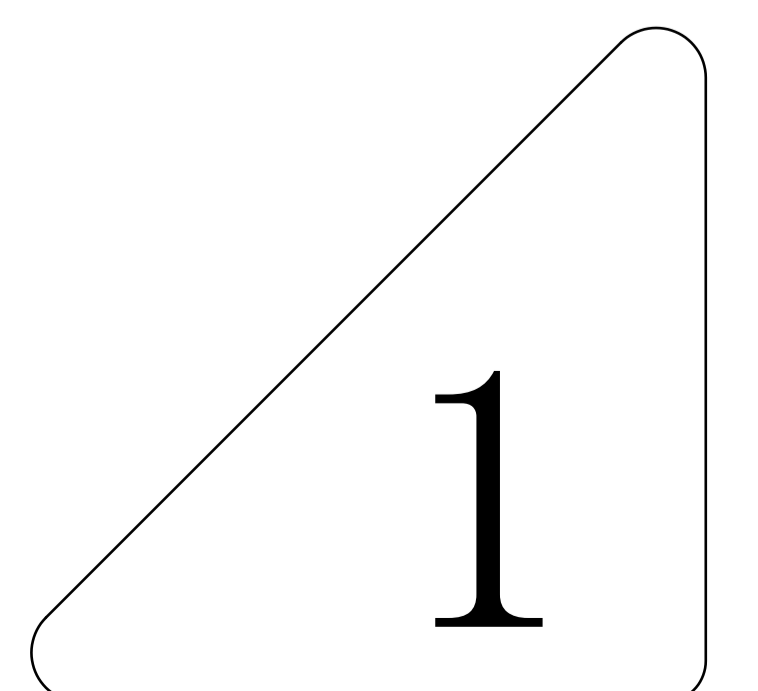
M x2



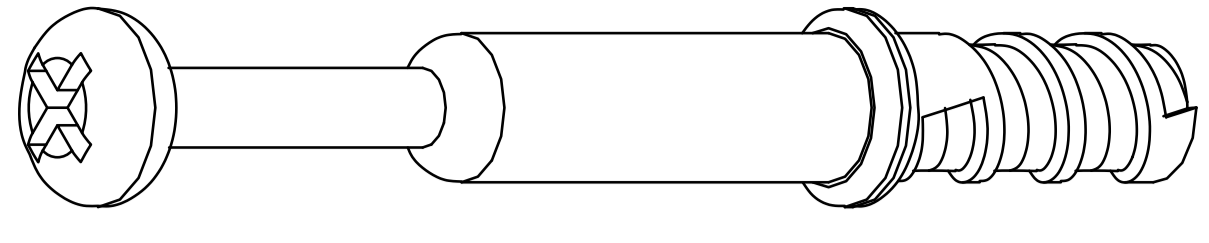
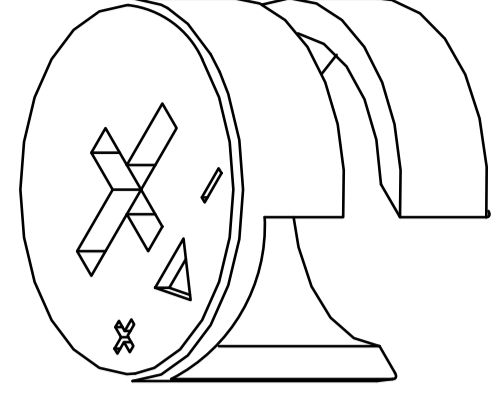

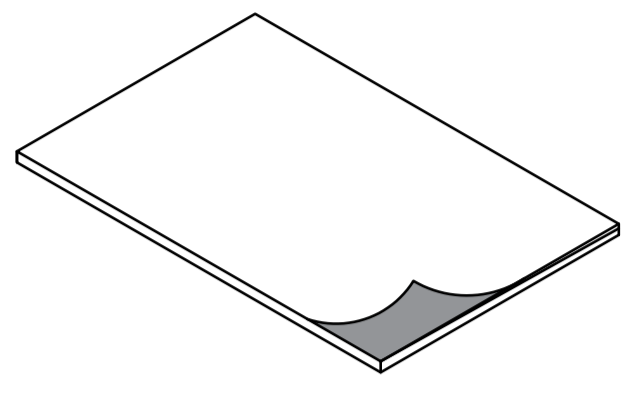
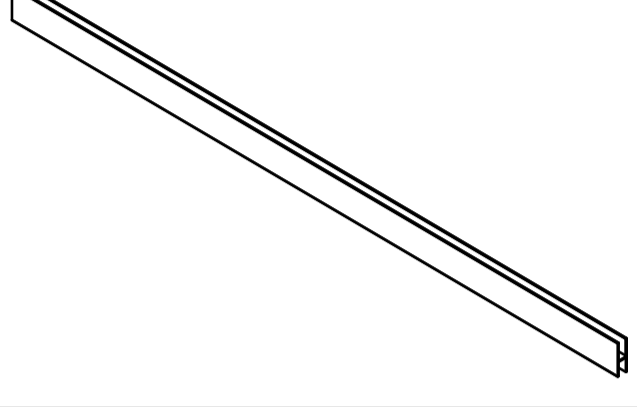
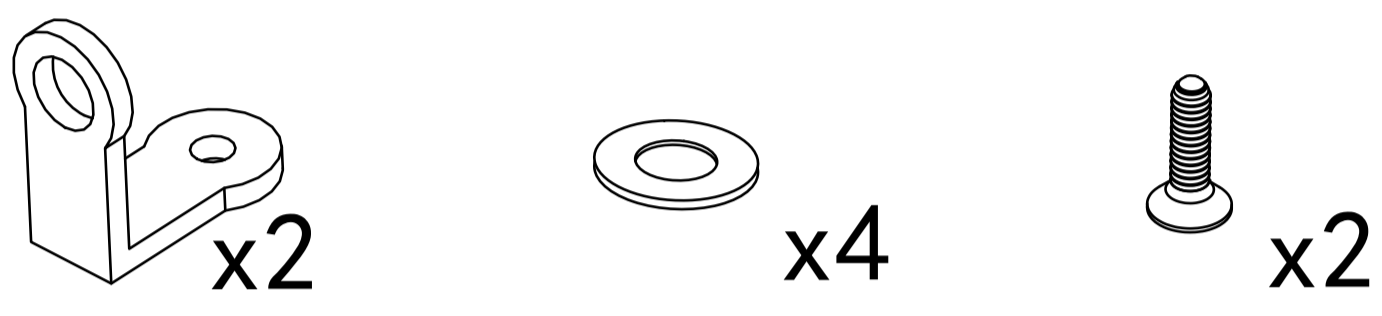
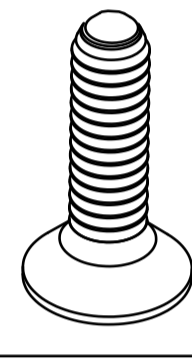
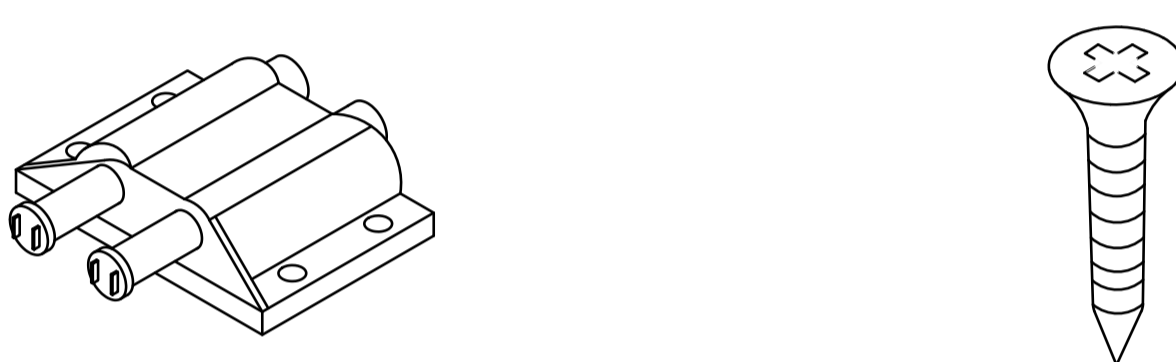
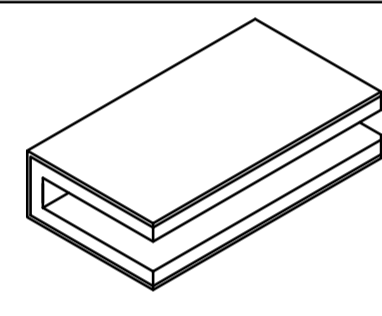
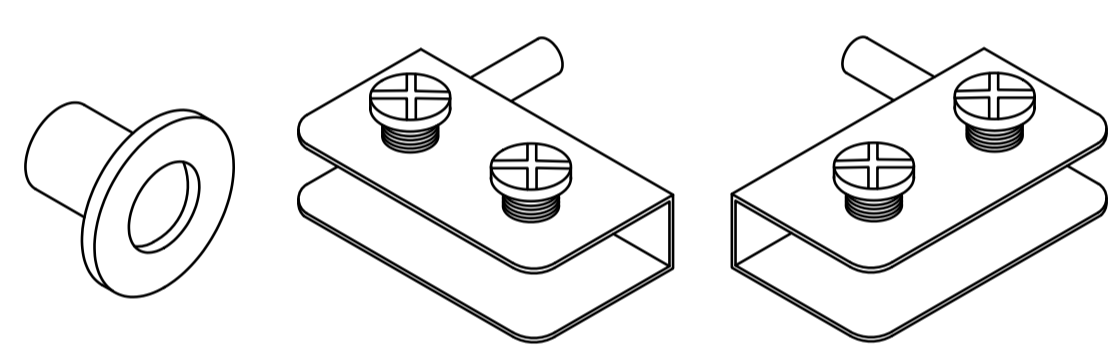

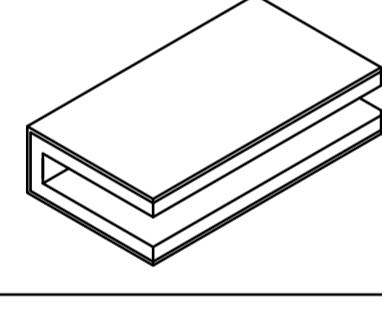
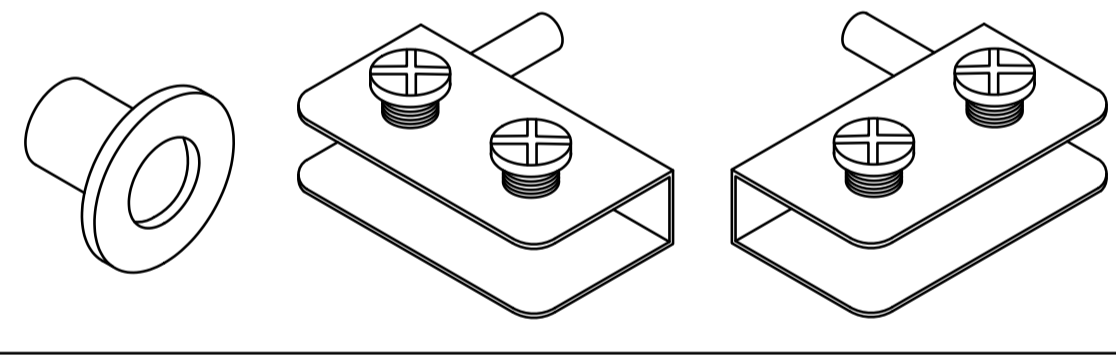
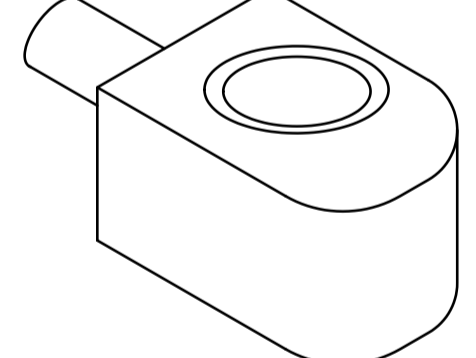
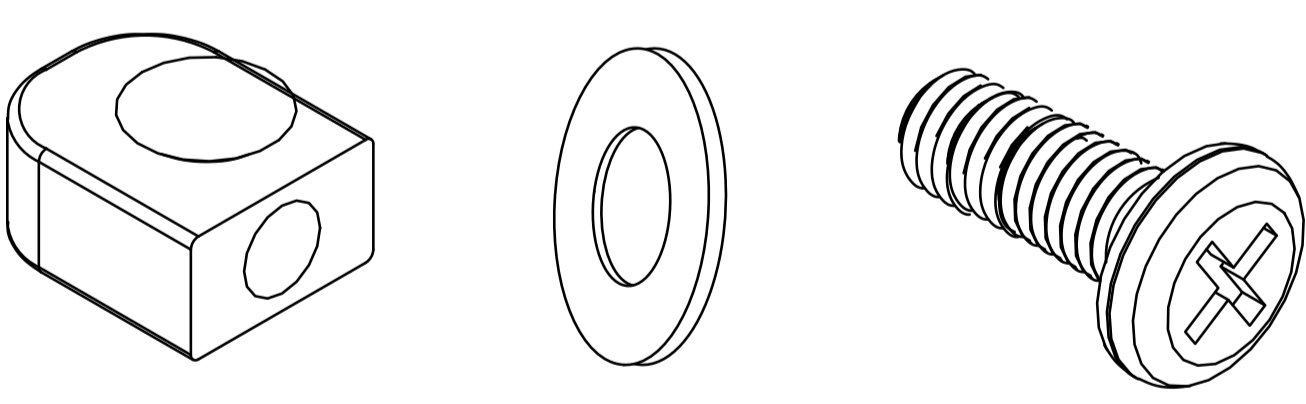
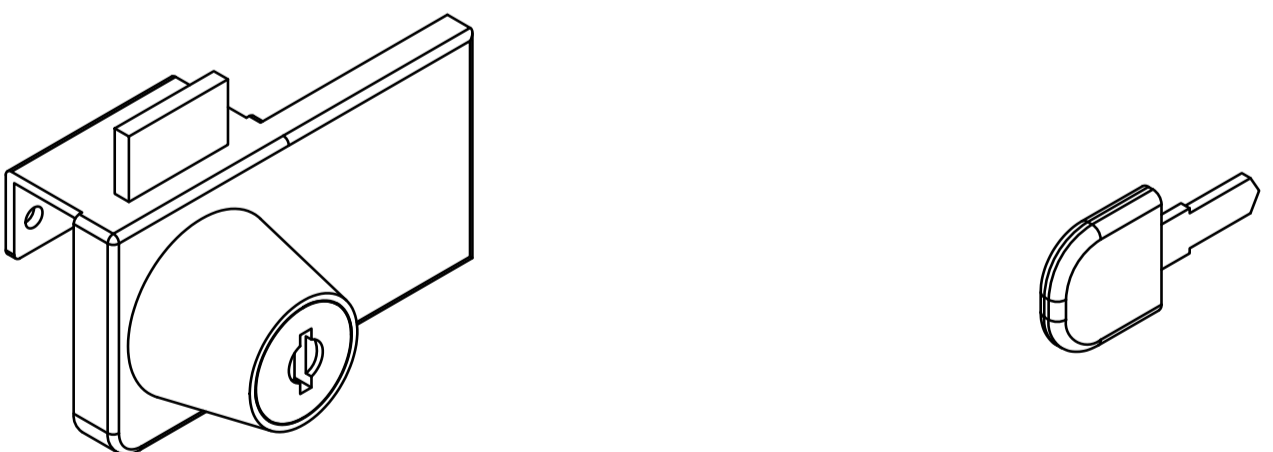

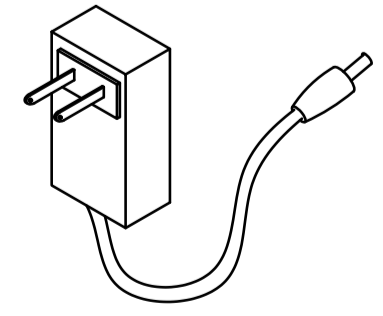
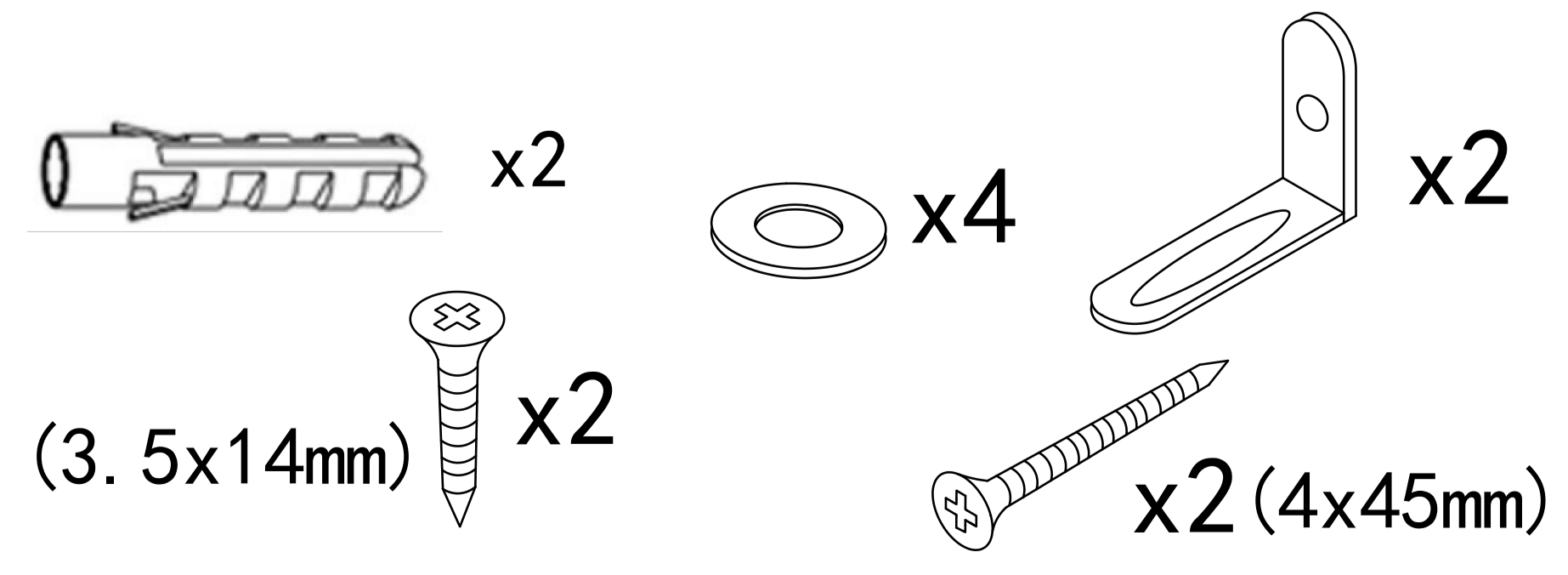
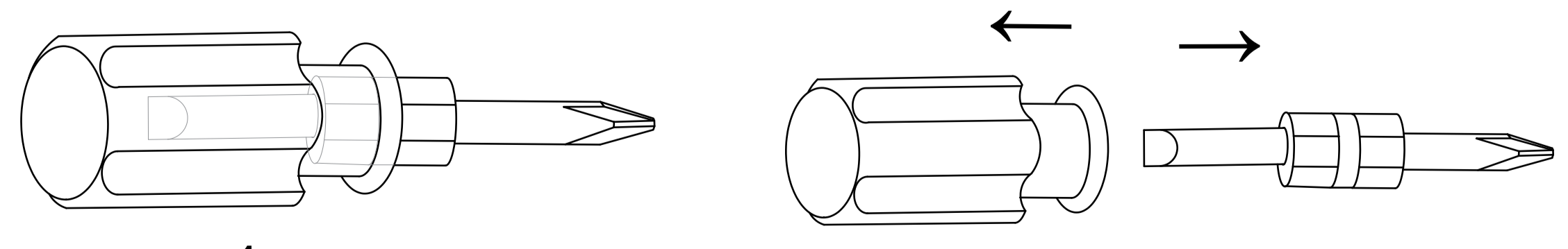
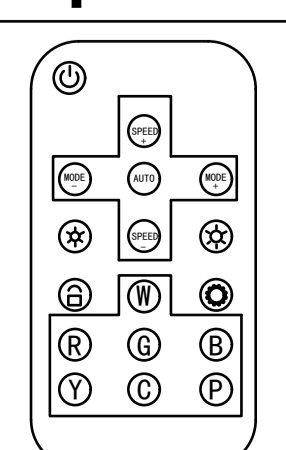
N x3

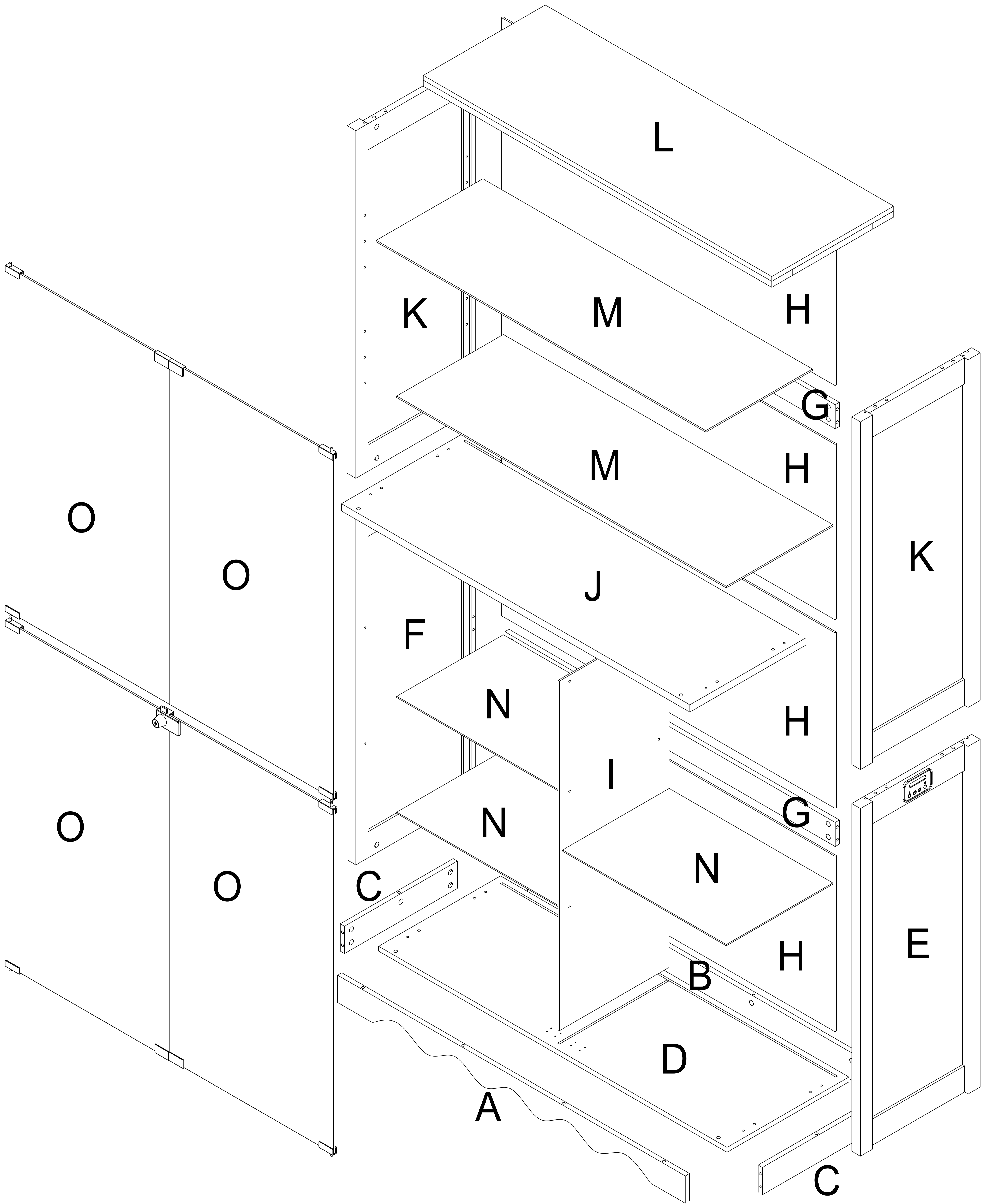


O x4



1

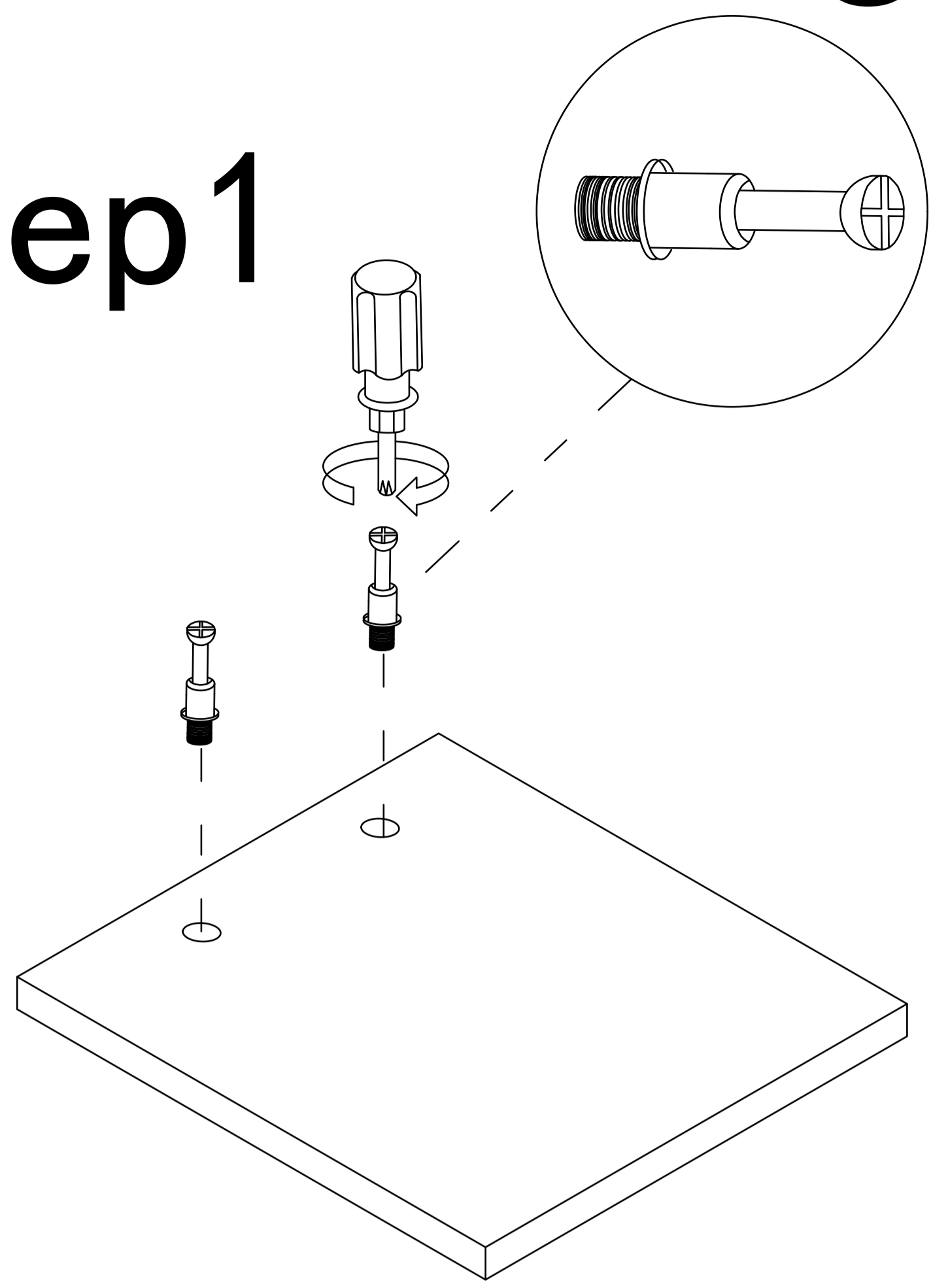
①		Two In One Screw (6x28mm)	42pcs +5pcs
②		Two In One Nut (10x12mm)	42pcs +5pcs
③		Wood Chipping (6x30mm)	16pcs +2pcs
④		Non-slip pads (50x10mm)	6pcs +2pcs
⑤		Backboard card strip (945mm)	2pcs
⑥		Corner Bracket, Screw (4x10mm)	1pcs
⑦		Screw (4x10mm)	2pcs
⑧		Rebound device & Screw (3x16mm)	4pcs +1pcs 1pcs
		Iron sheet	2pcs
		Hinge	4pcs 2pcs 2pcs
⑨		Rebound device & Screw (3x16mm)	8pcs +2pcs 2pcs
		Iron sheet	2pcs
		Hinge	4pcs 2pcs 2pcs
⑩		Laminate Support Nail	14pcs +2pcs
⑪		Laminate Support Nail & Screw (6x16mm)	6pcs +1pcs 6pcs +1pcs 6pcs
⑫		Double door glass lock & Key	2pcs 1pcs
⑬		Fixing clip & screw (3x16mm)	24pcs +3pcs
		AC/DC Adapter (12V= 3.0A)	1pcs
⑭		1pcs	 1pcs  1pcs
	Anti Fall Hardware		



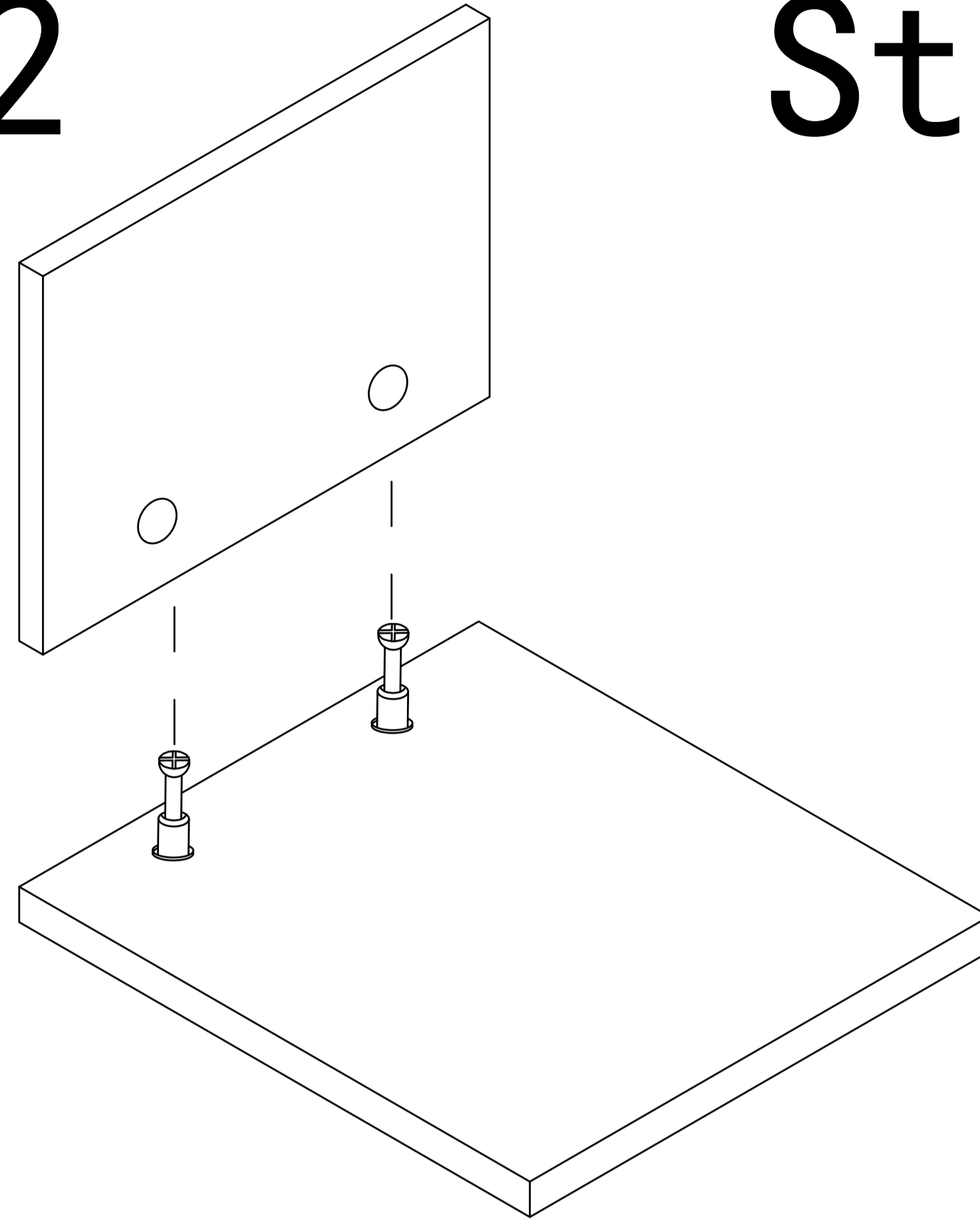
Product structure decomposition

Use parts ① and ②

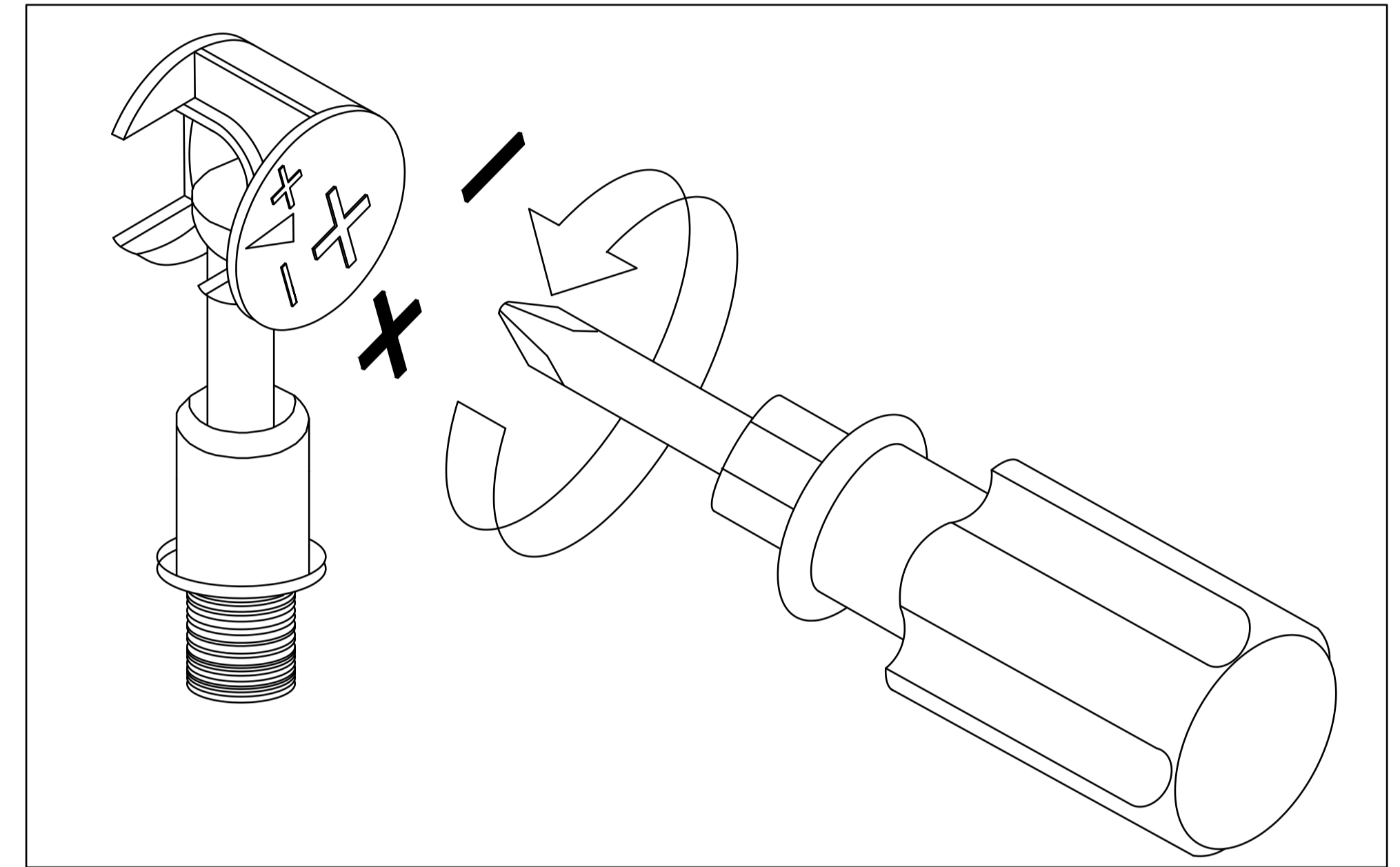
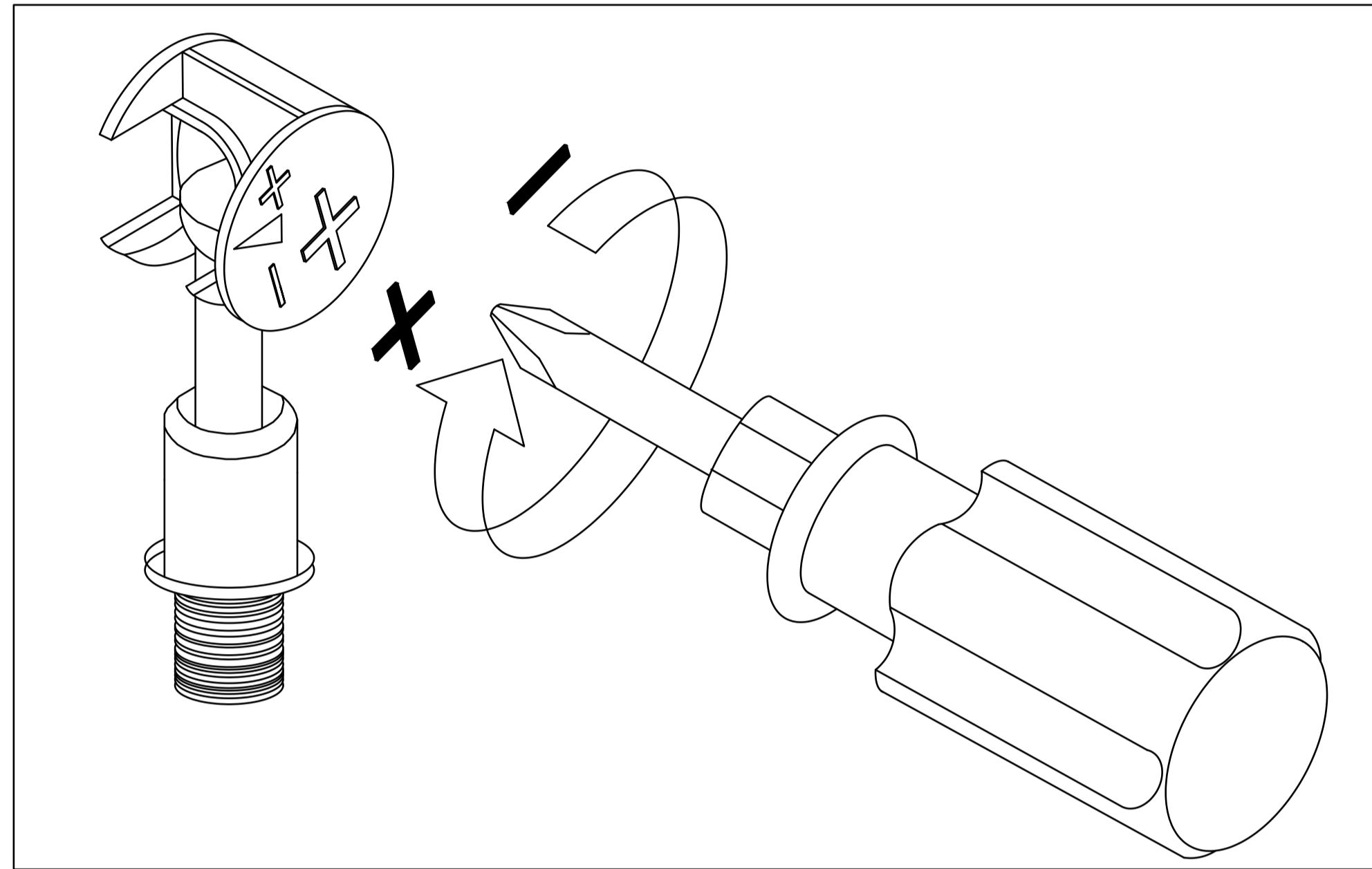
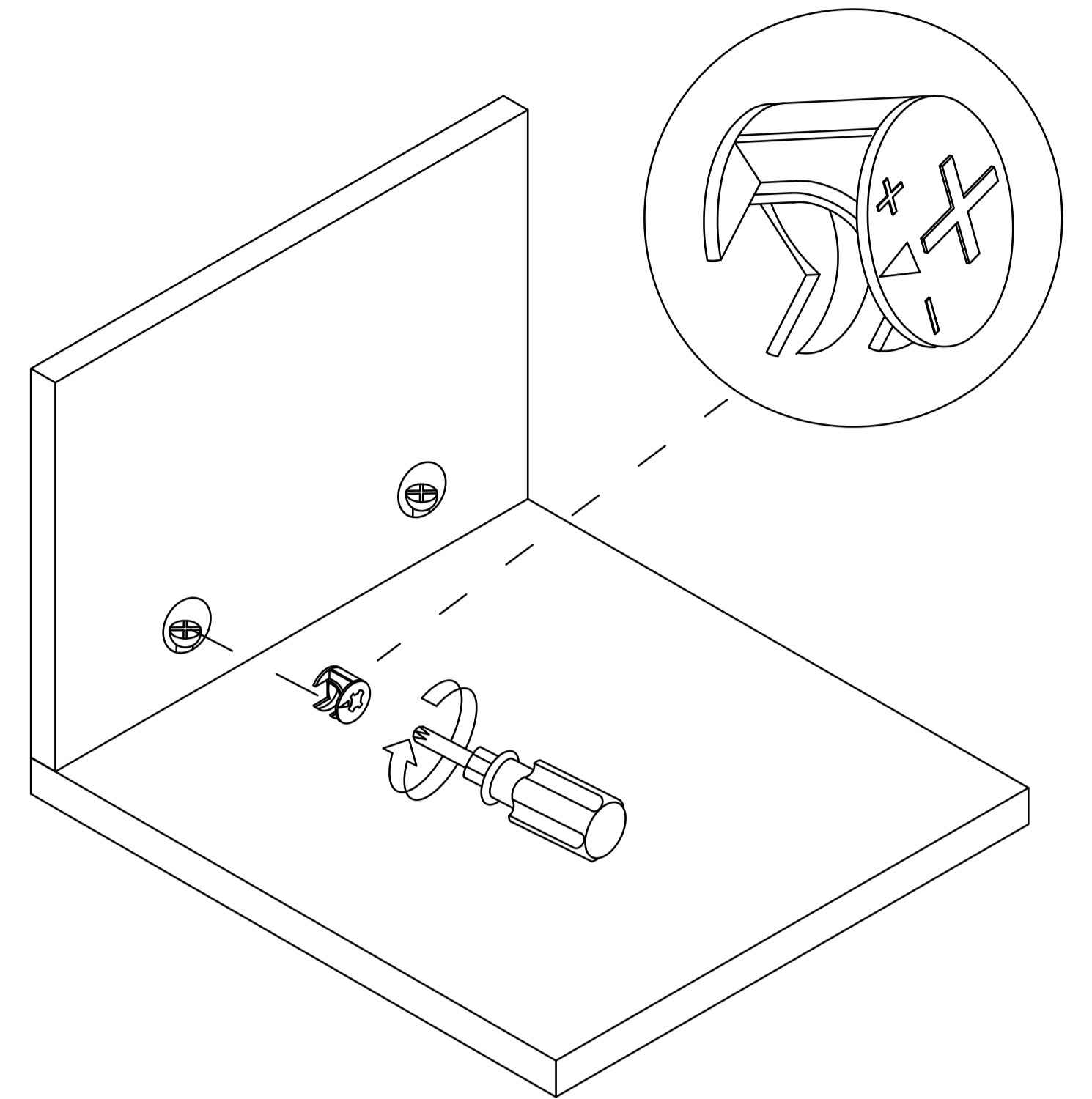
Step 1



Step 2



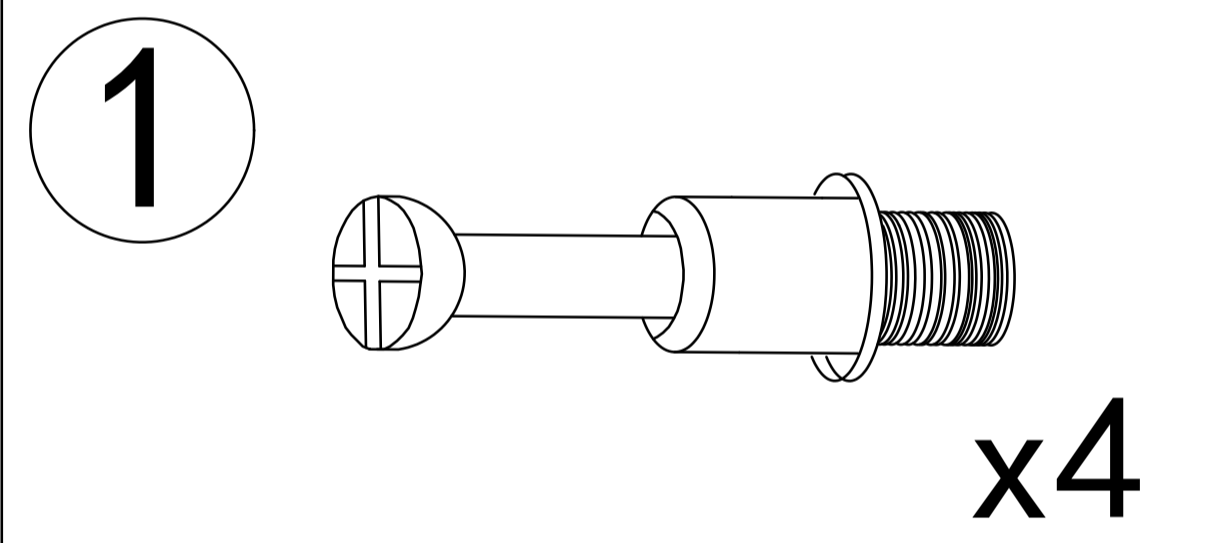
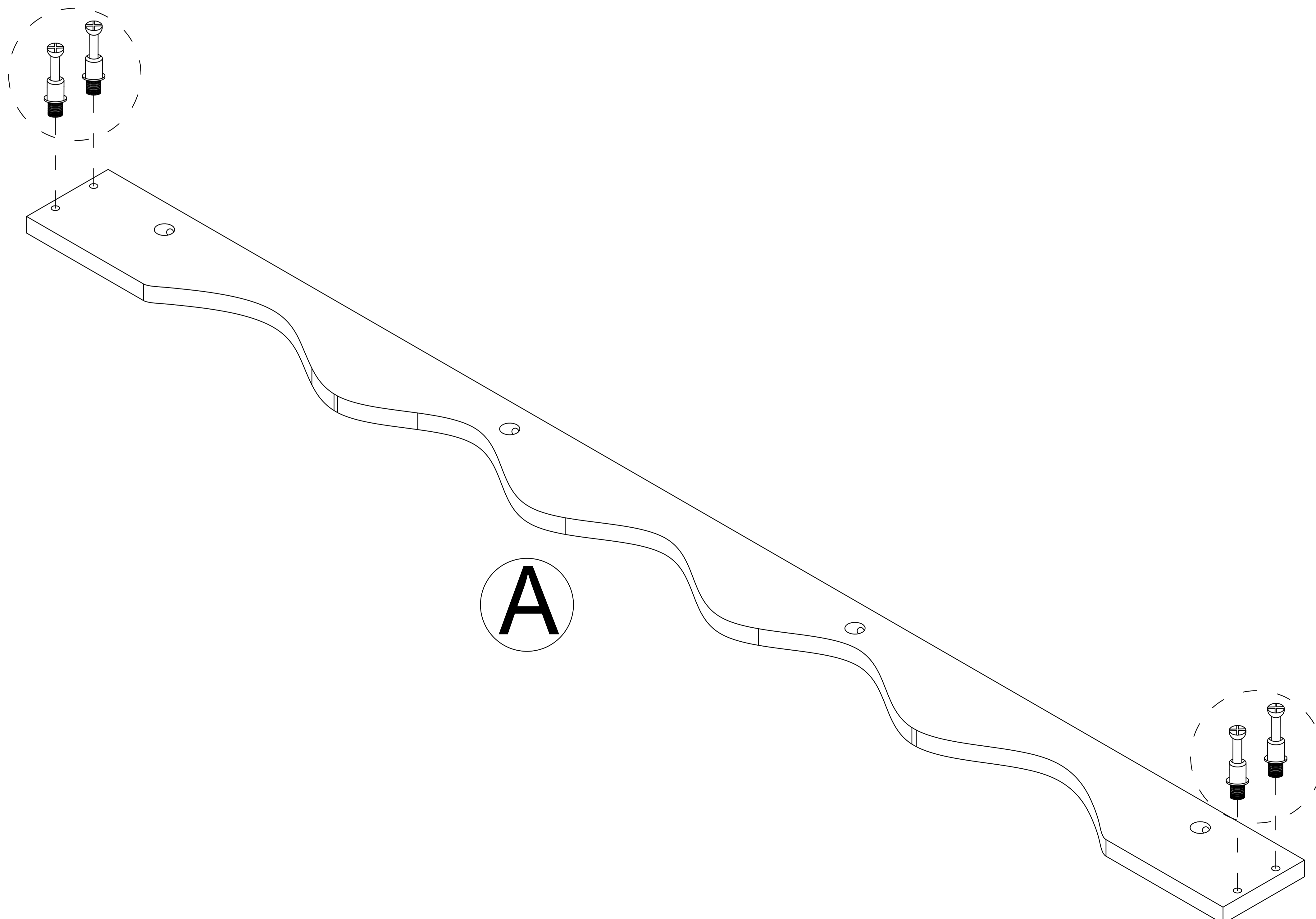
Step 3



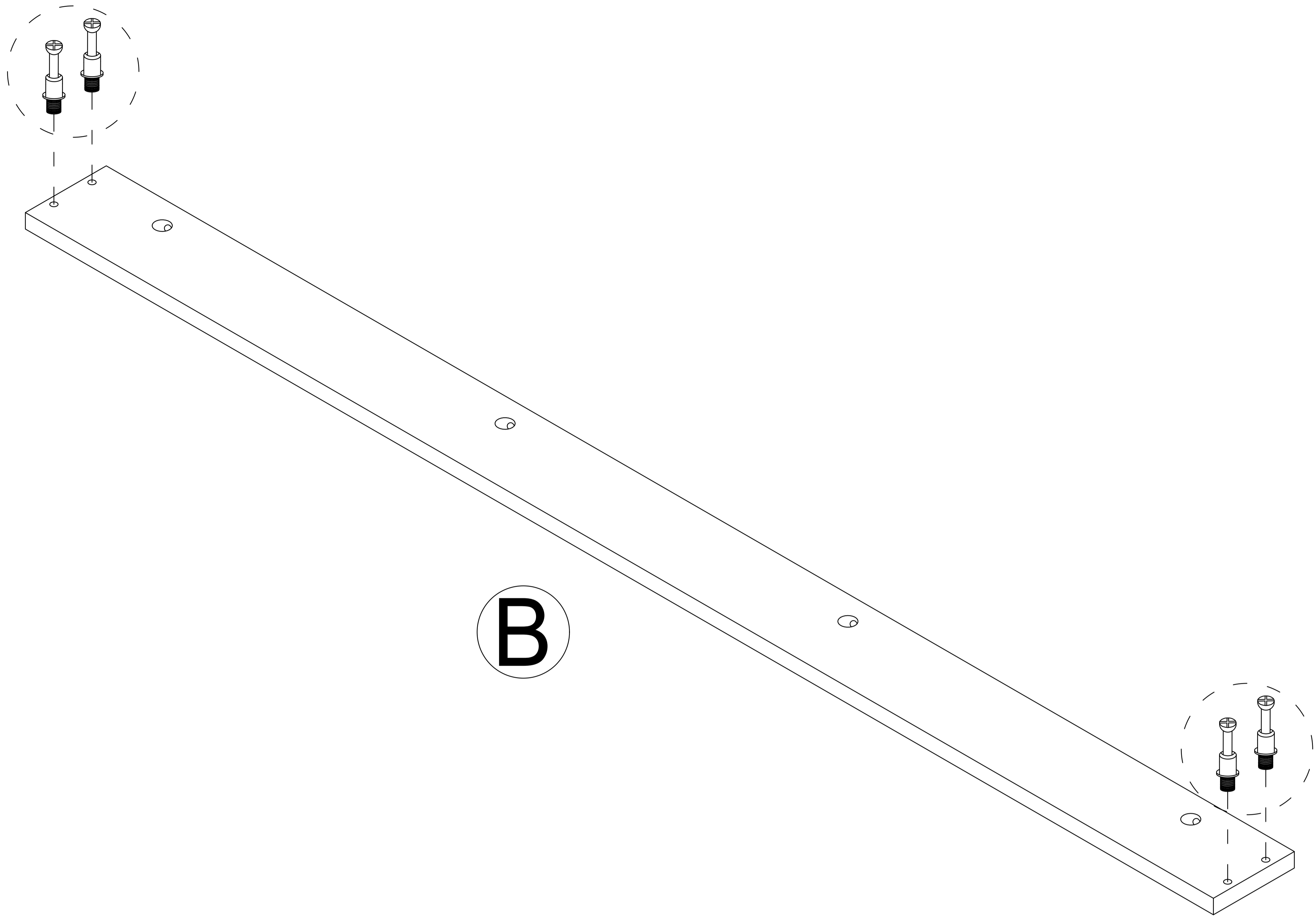
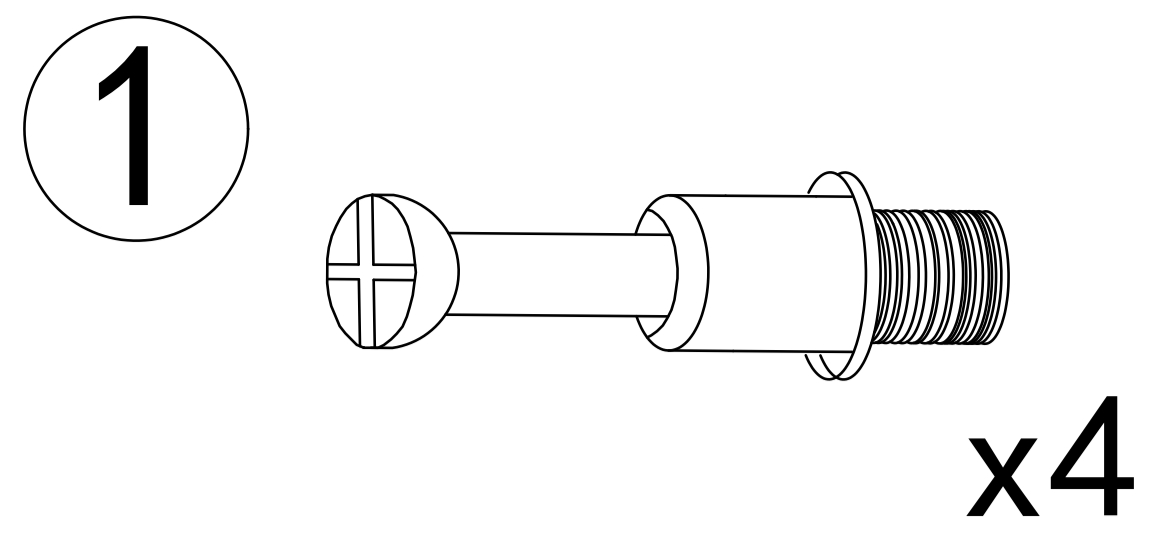
Use a screwdriver to lock in the direction of the "+" sign

Disassemble along the direction of "-" sign

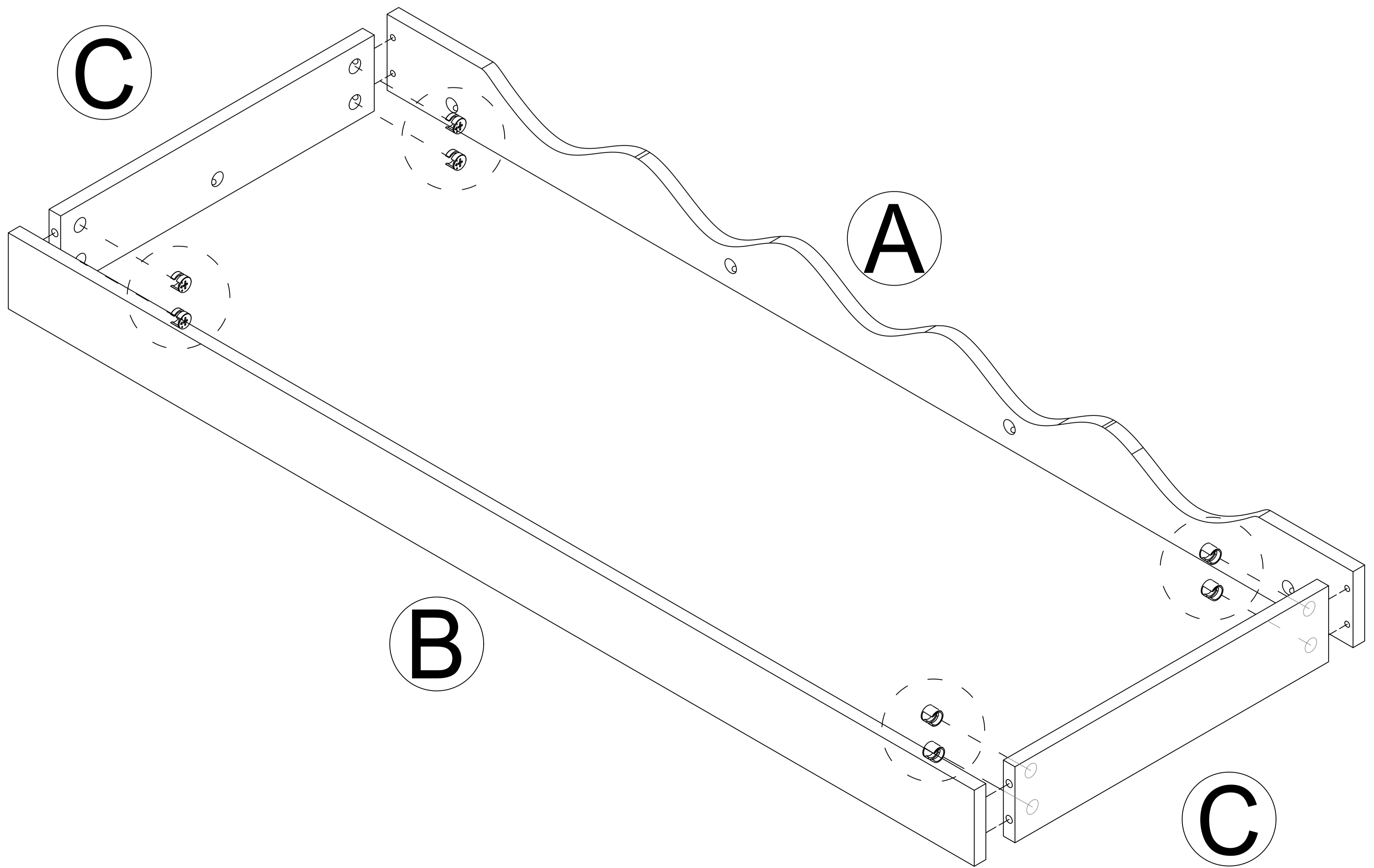
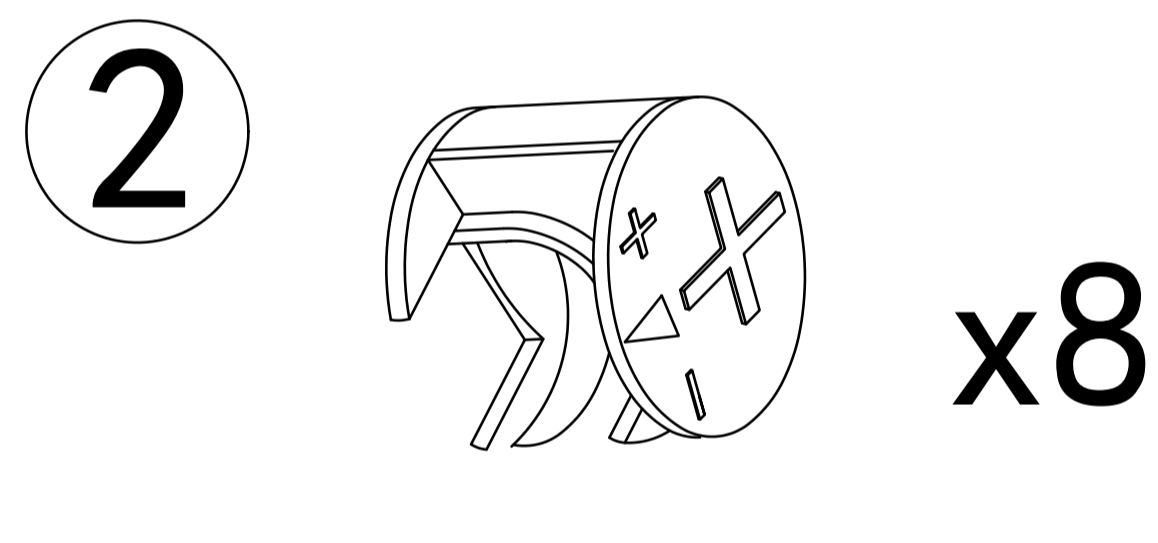
Step 1



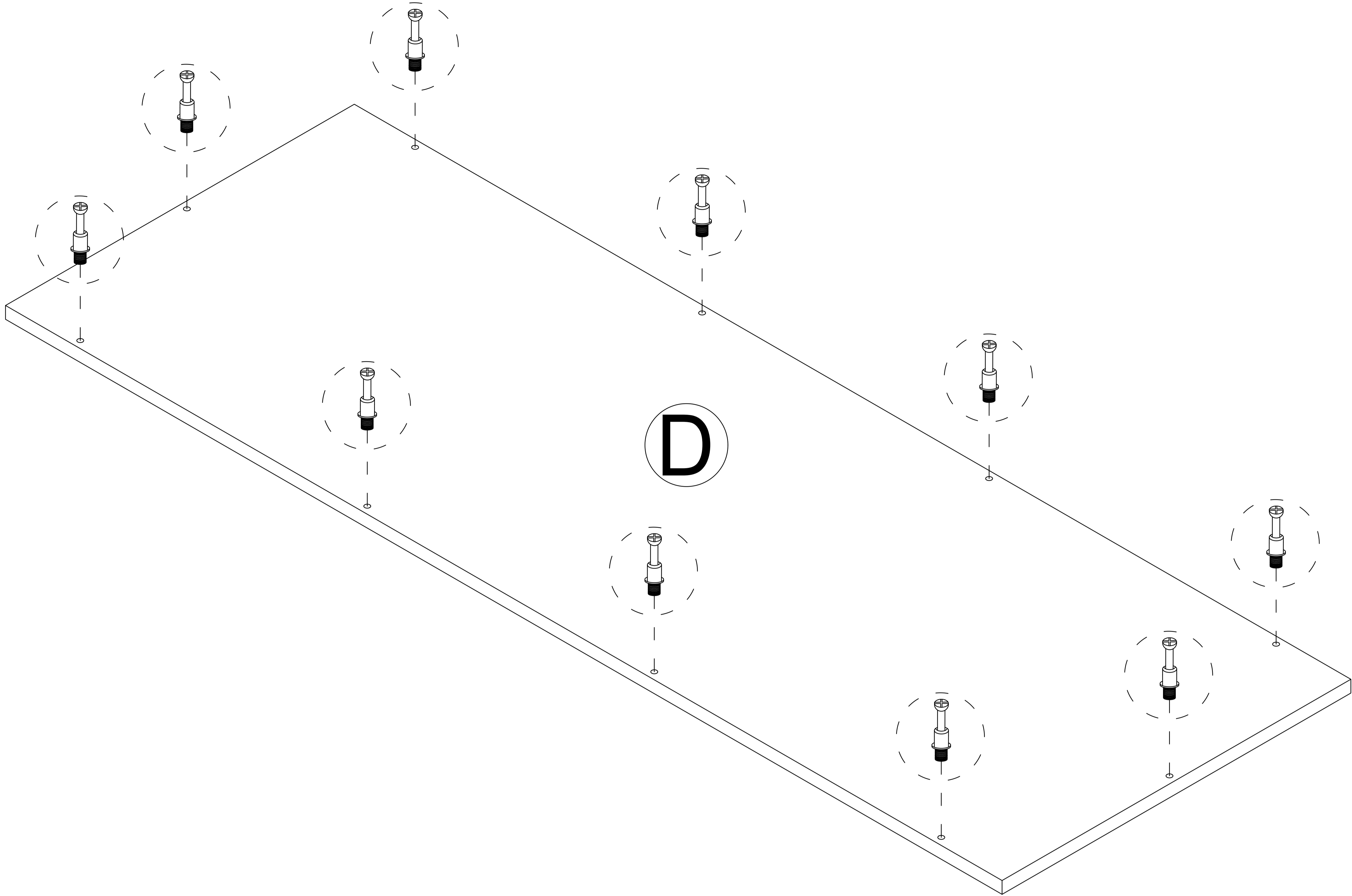
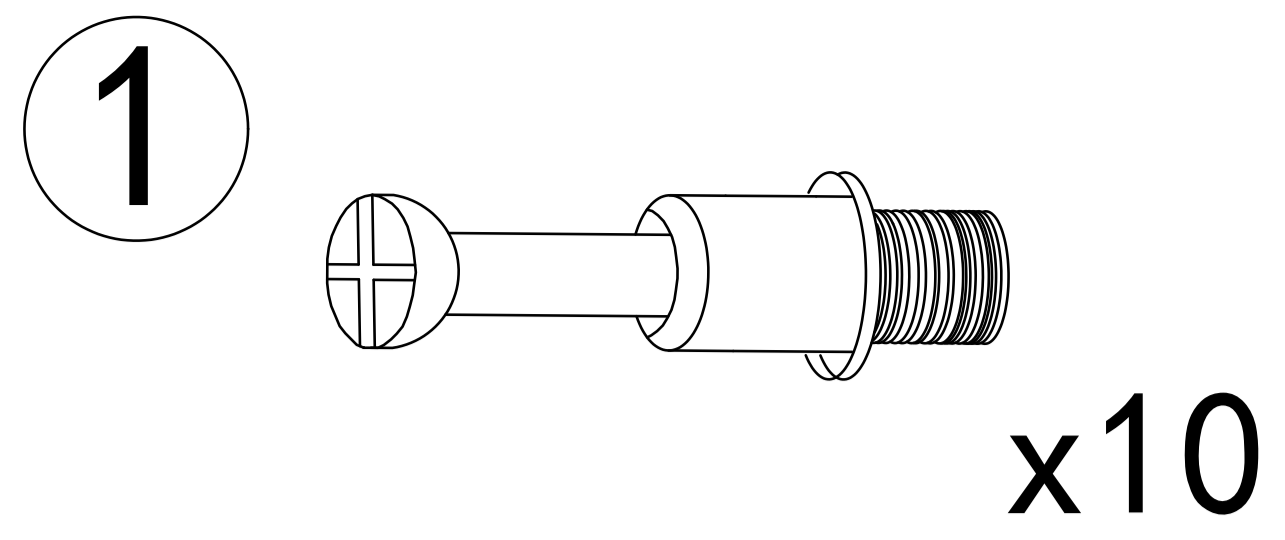
Step 2



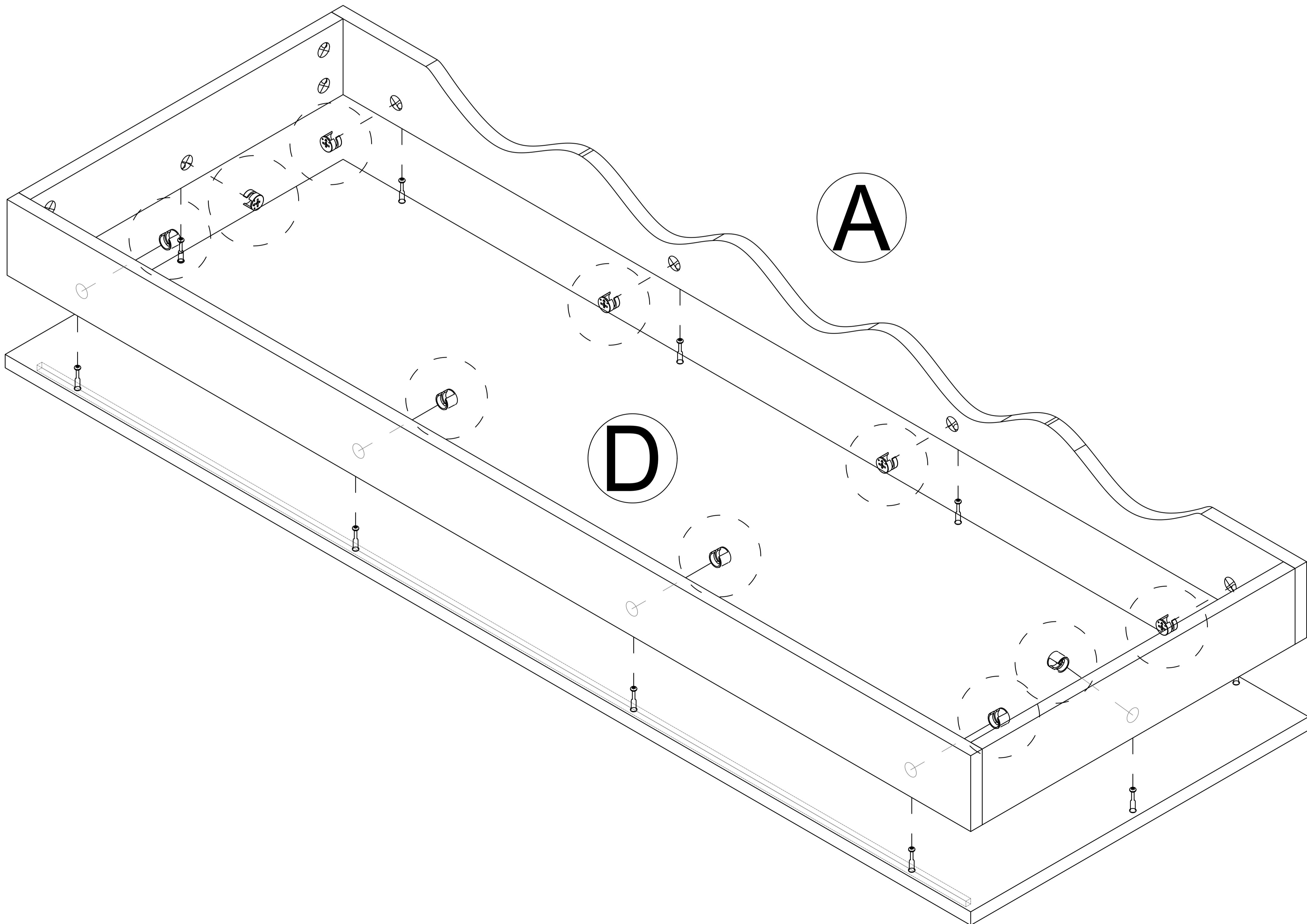
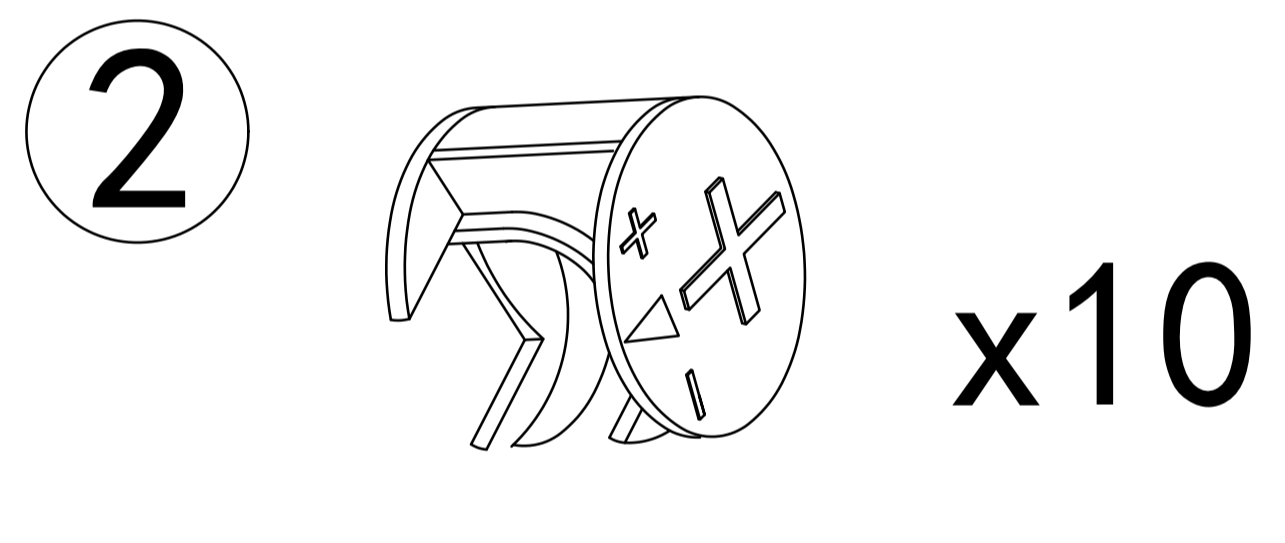
Step 3



Step 4



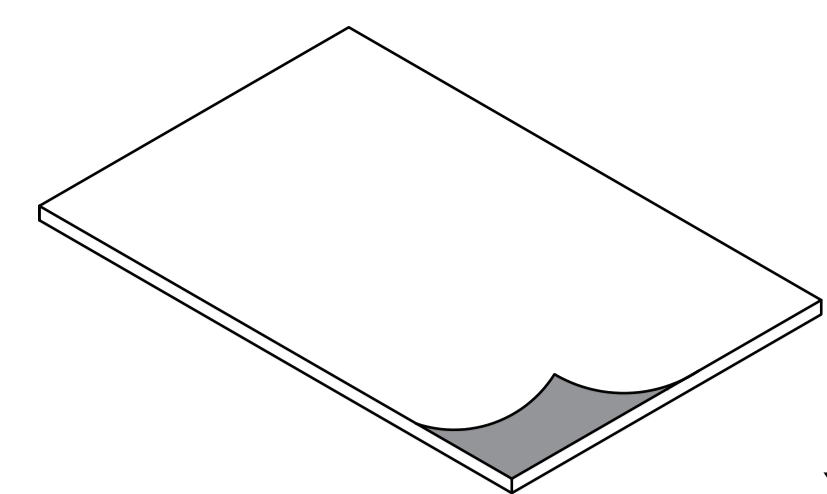
Step 5



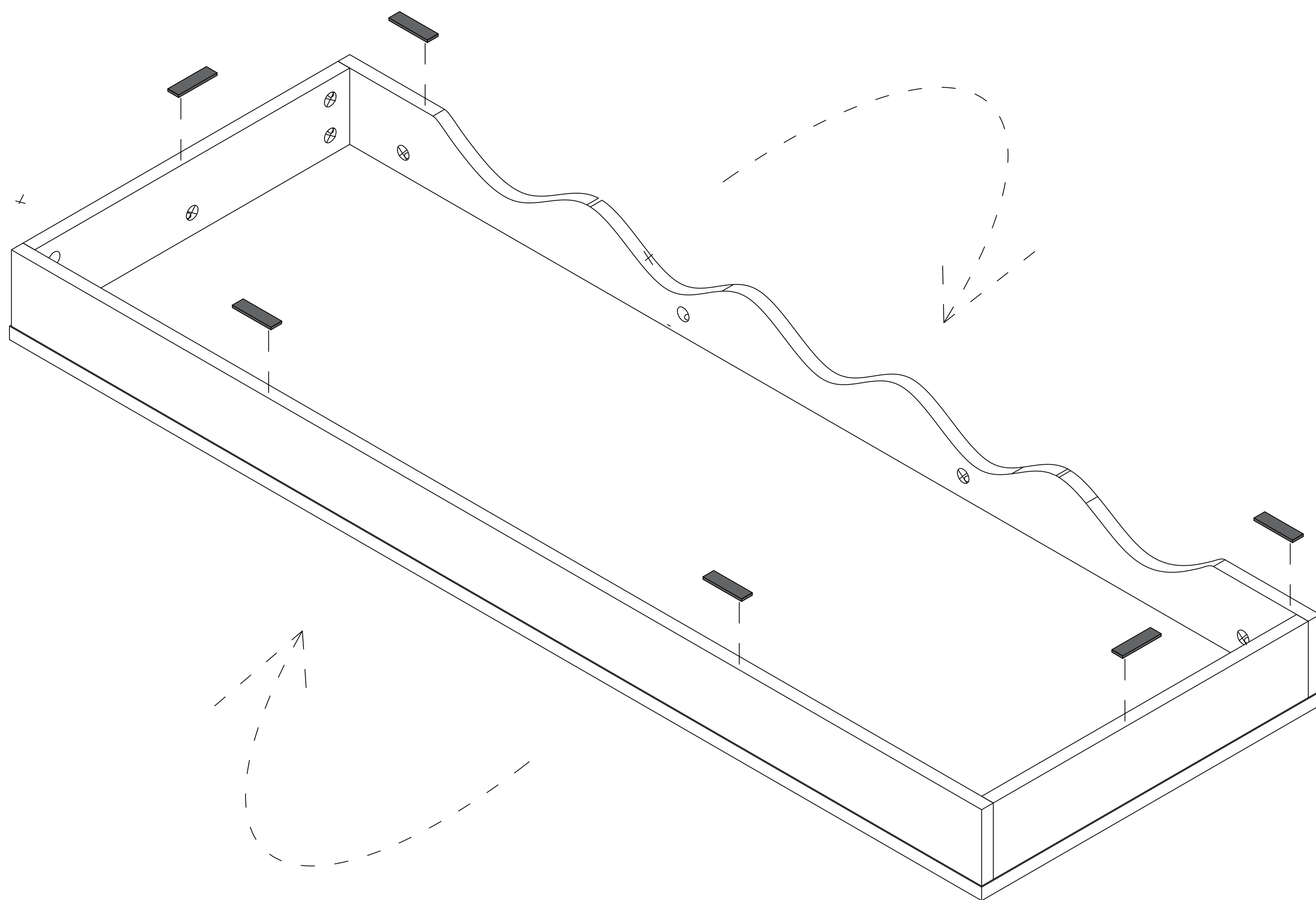
Attention: There is a groove behind the D board in the position where the D board is installed

Step 6

4



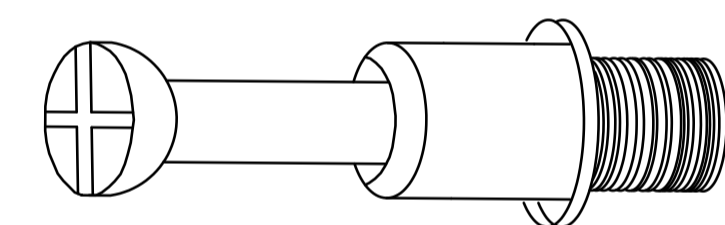
x6



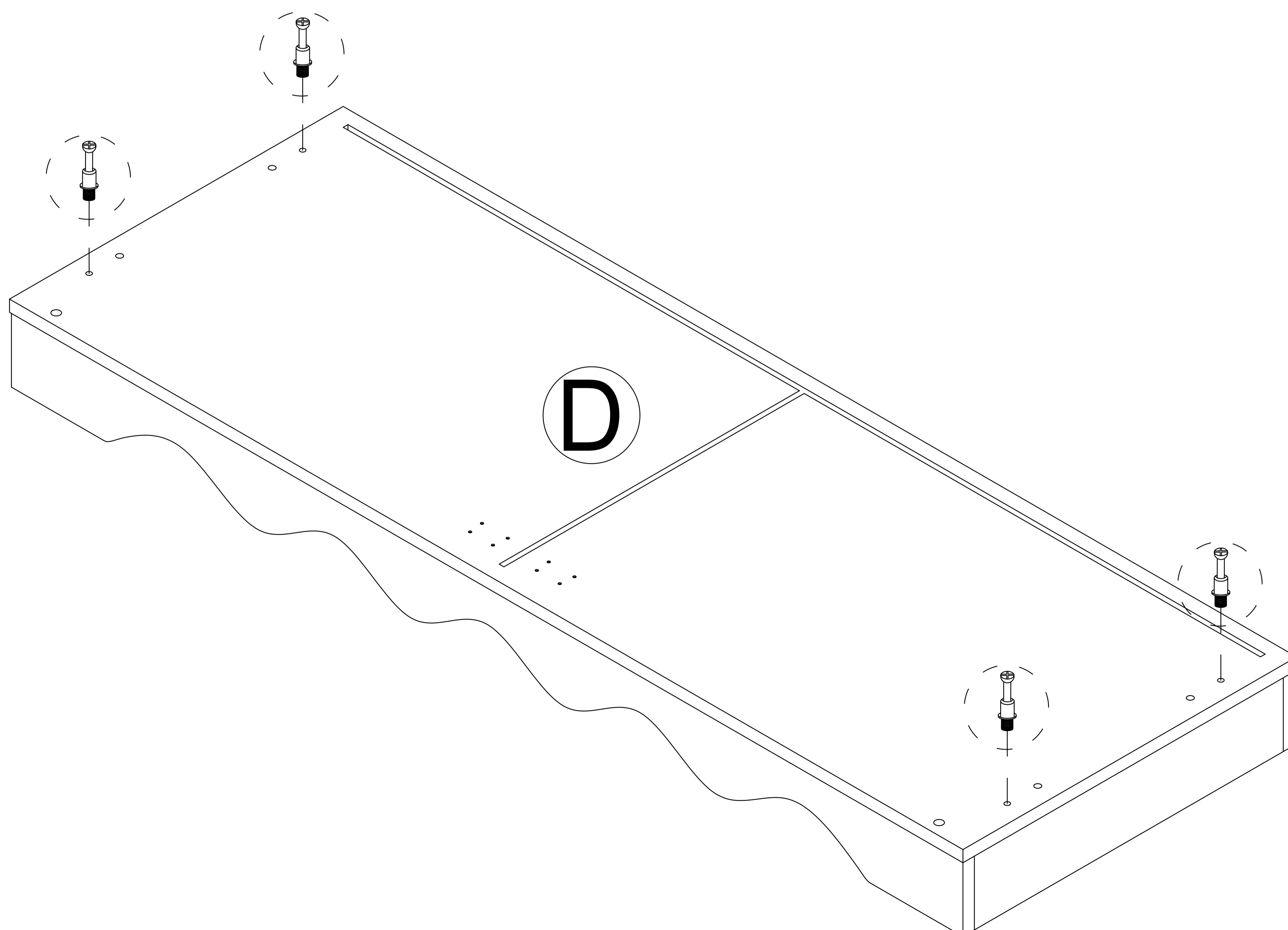
Tear off release paper and stick the black foot pad on the board

Step 7

1

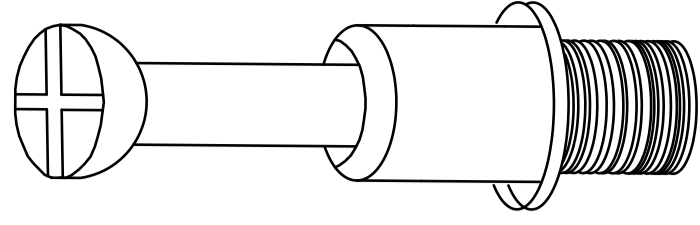
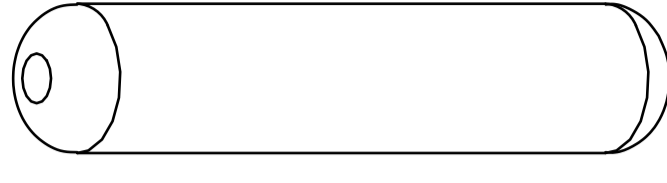


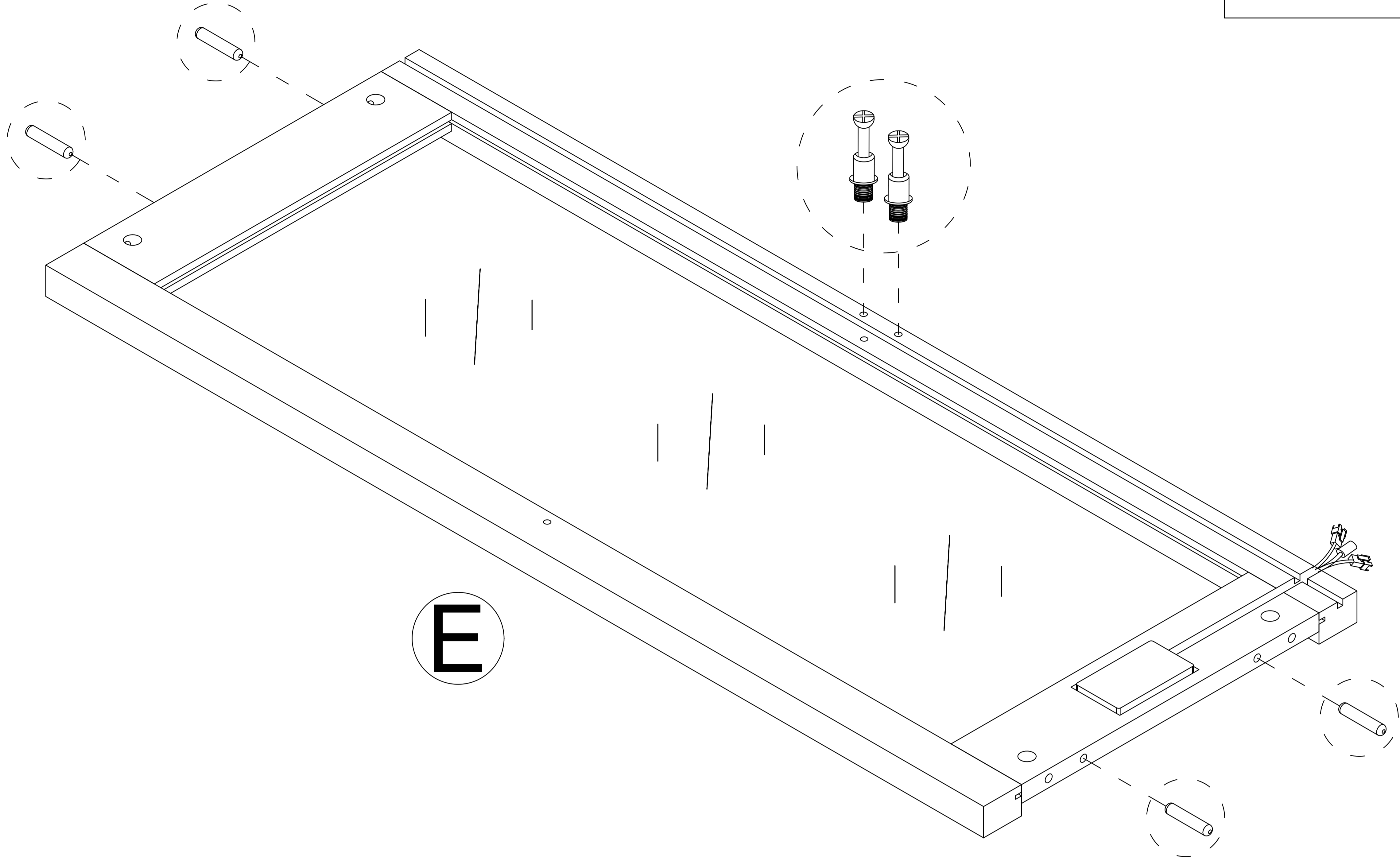
x4



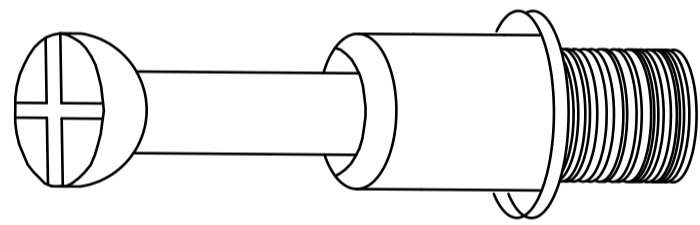
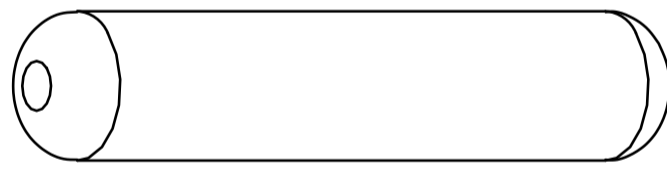
7

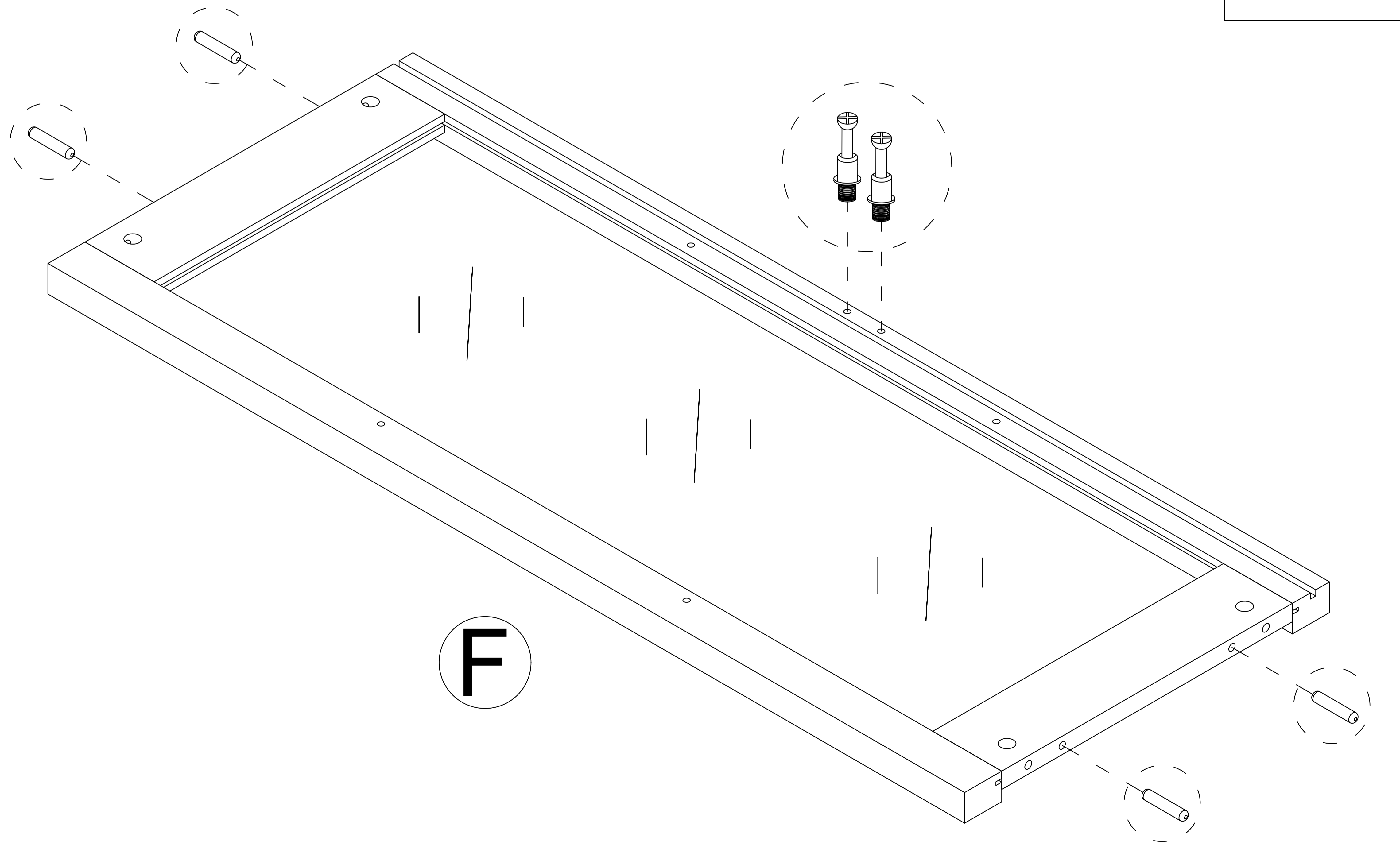
Step 8

- 1  x2
- 3  x4



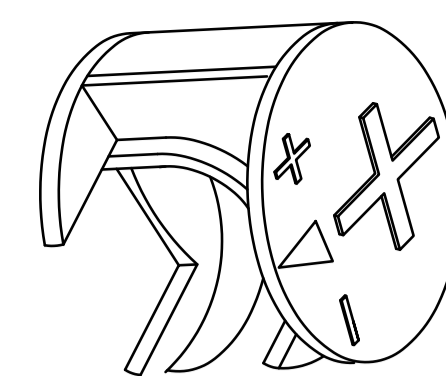
Step 9

- 1  x2
- 3  x4

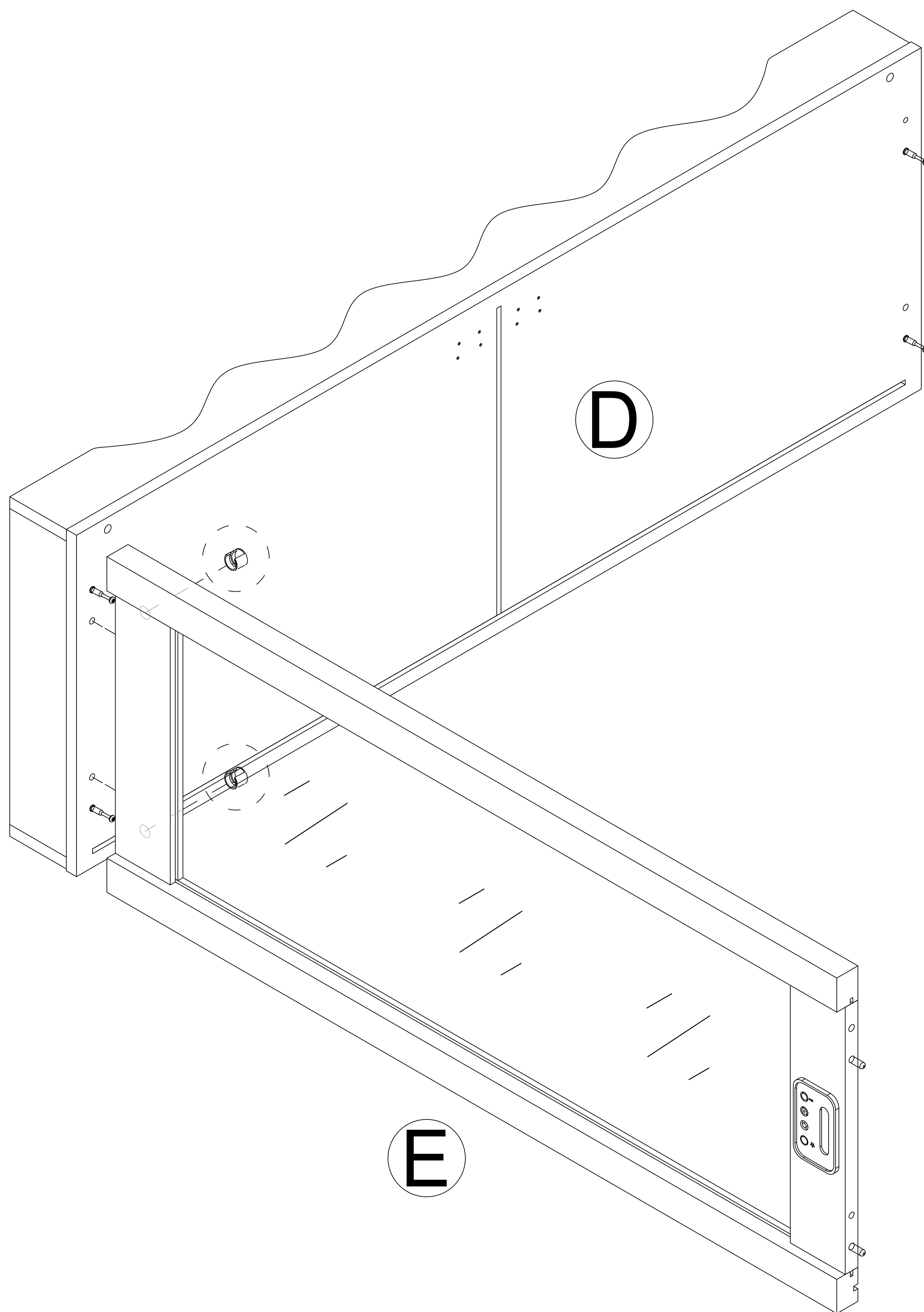


Step 10

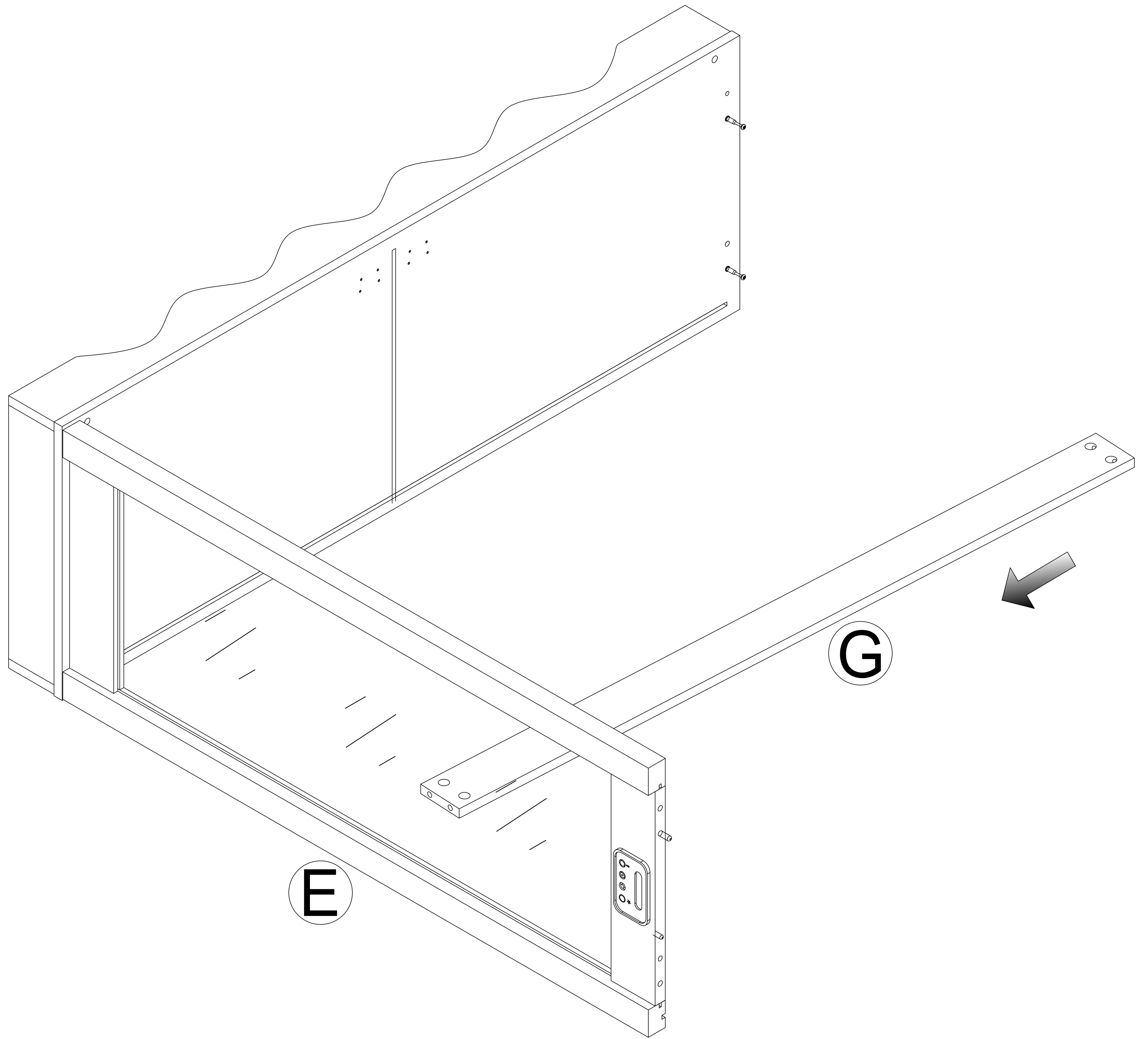
2



x2

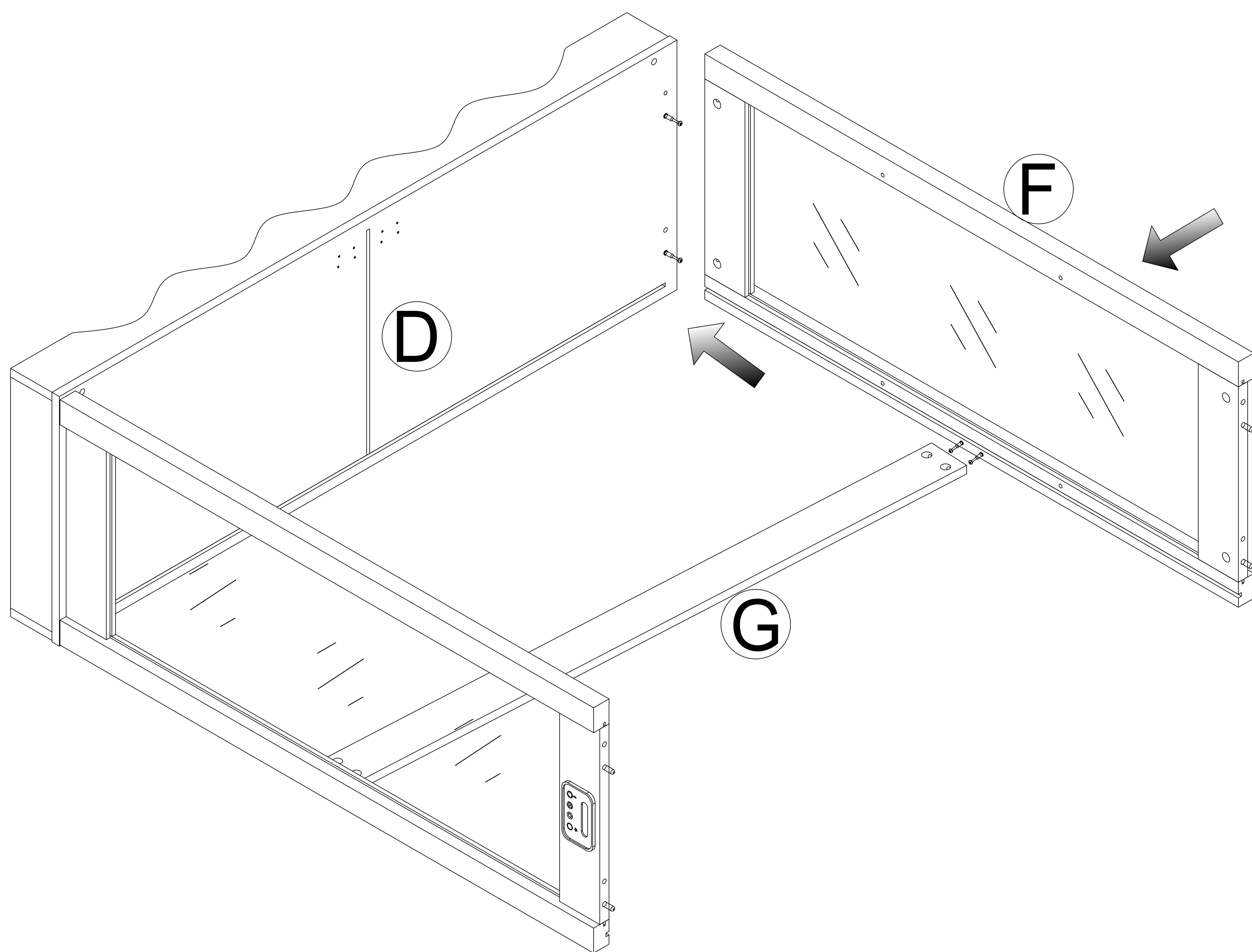


Step 11



First insert the G board into the E board

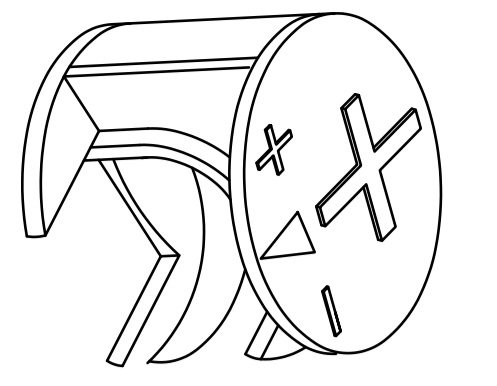
Step 12



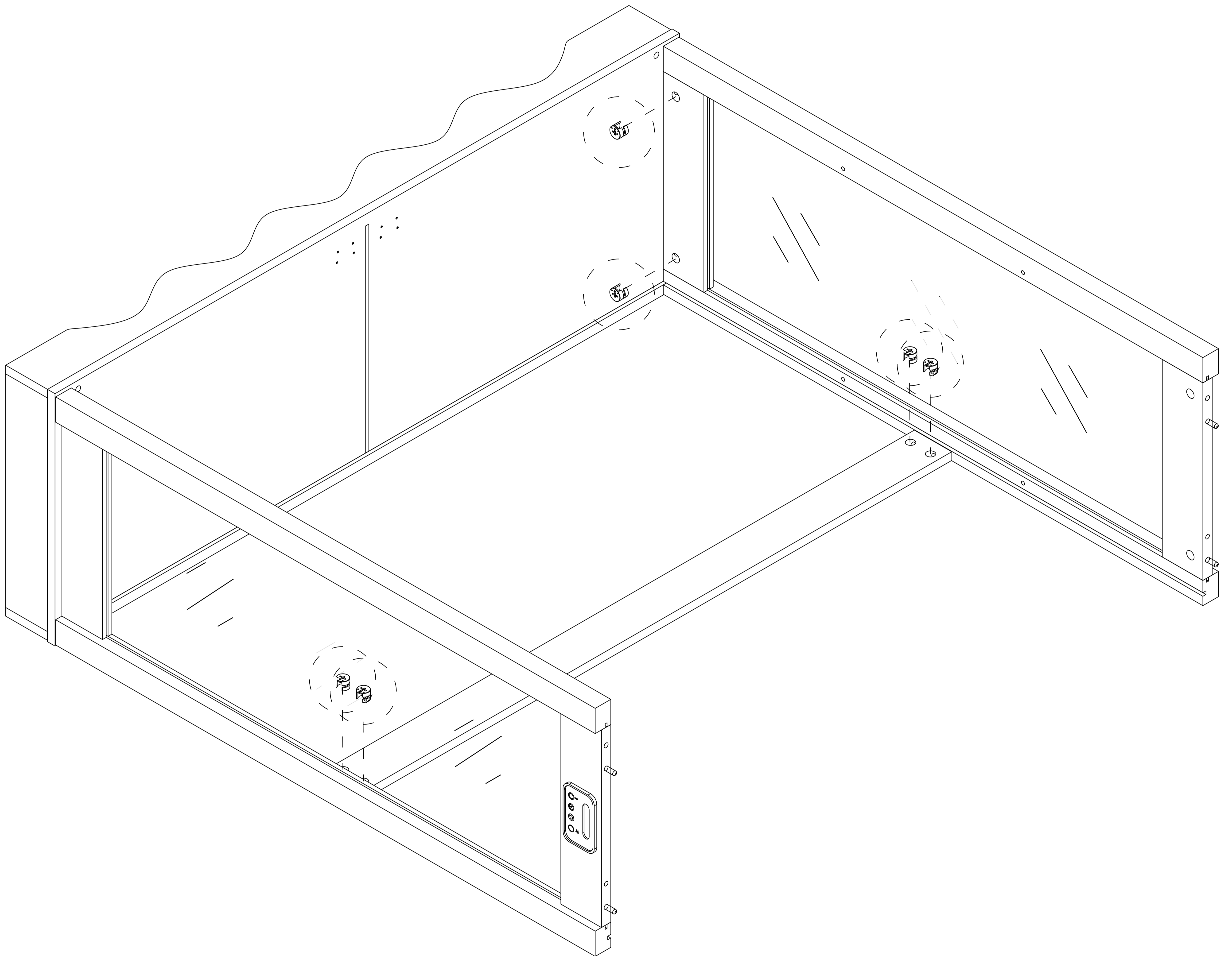
Insert board "F" into board "G", and then insert board "D"

Step 13

2

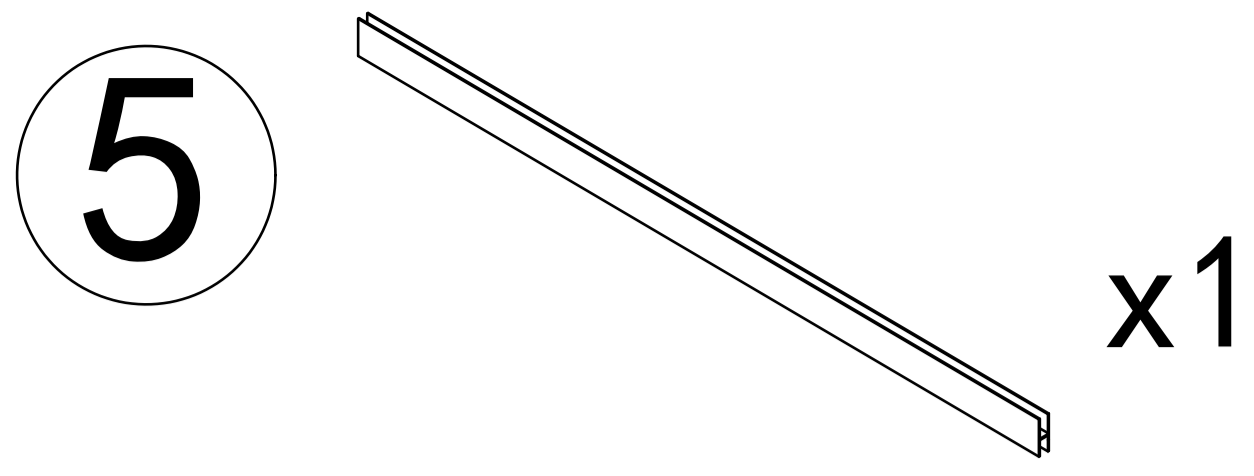


x6

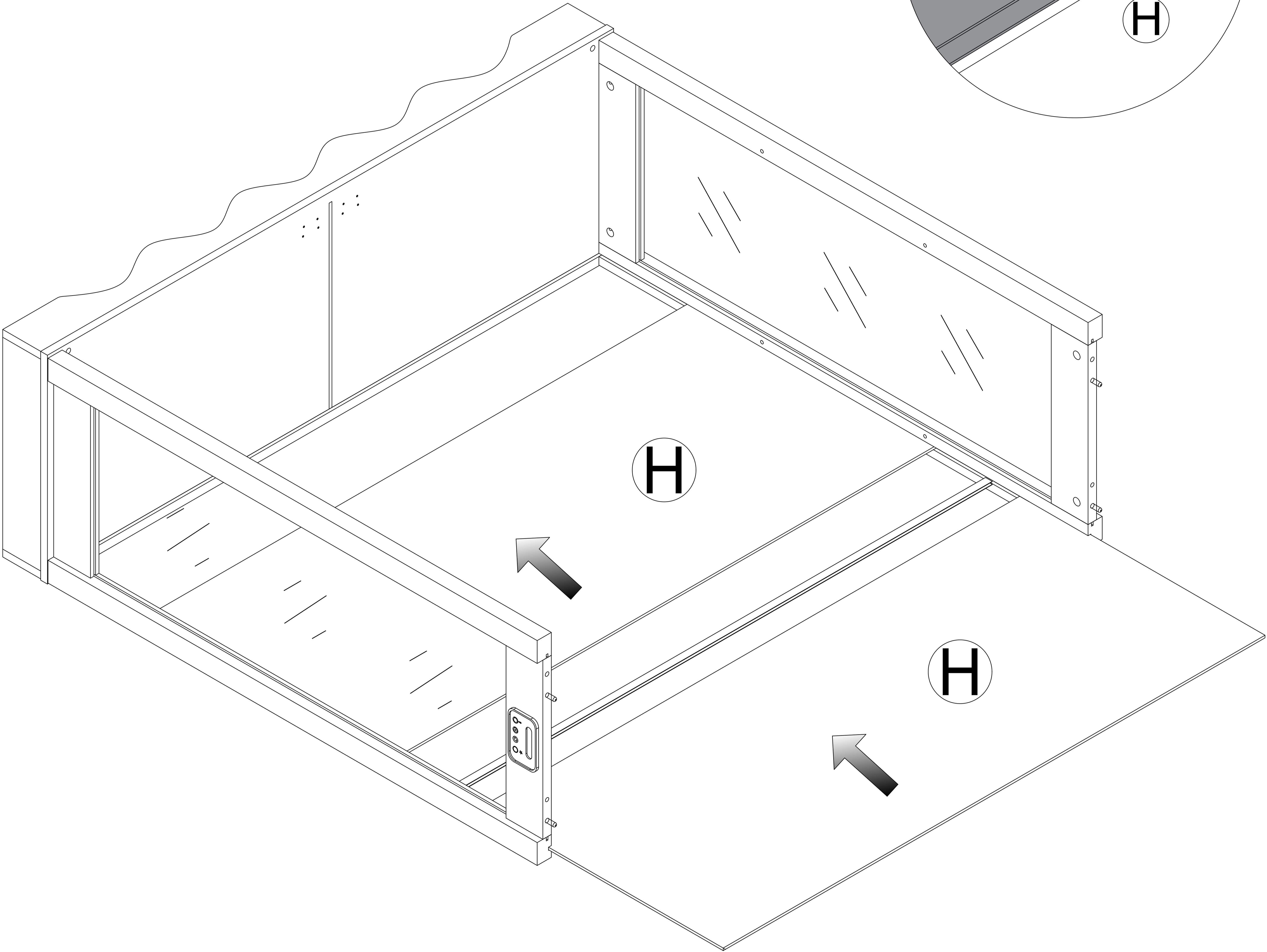
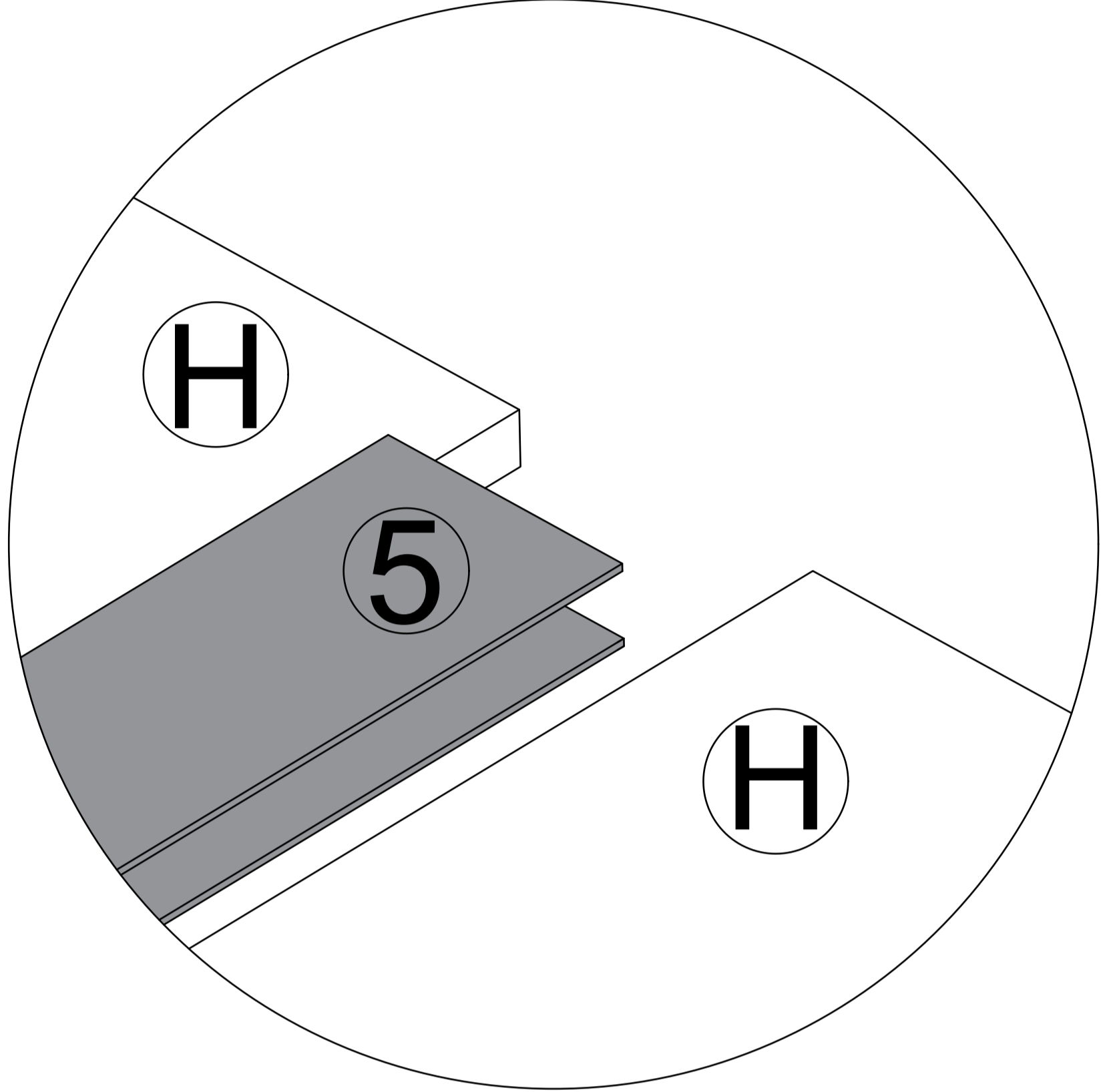


After installation, then tighten the nut

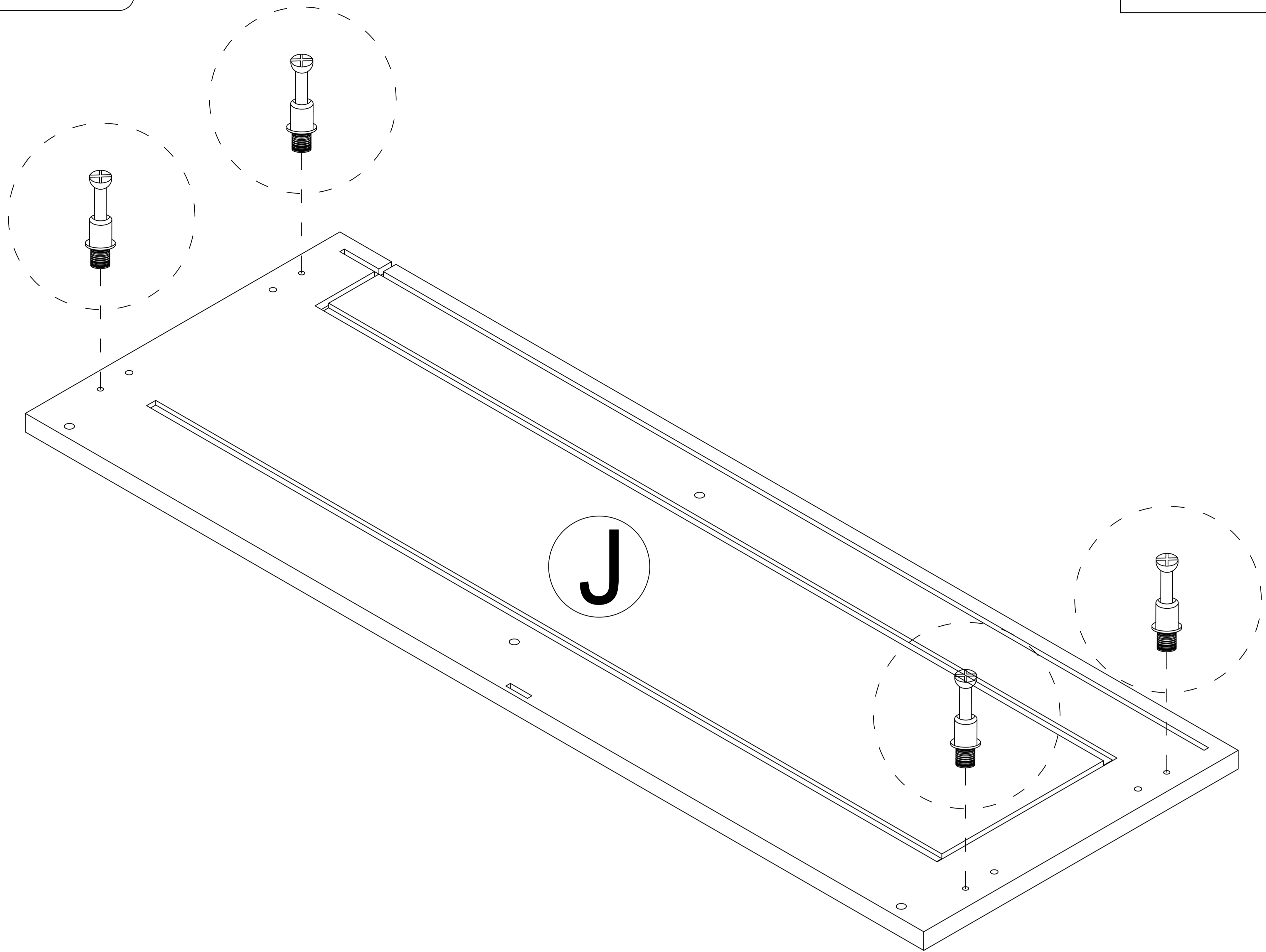
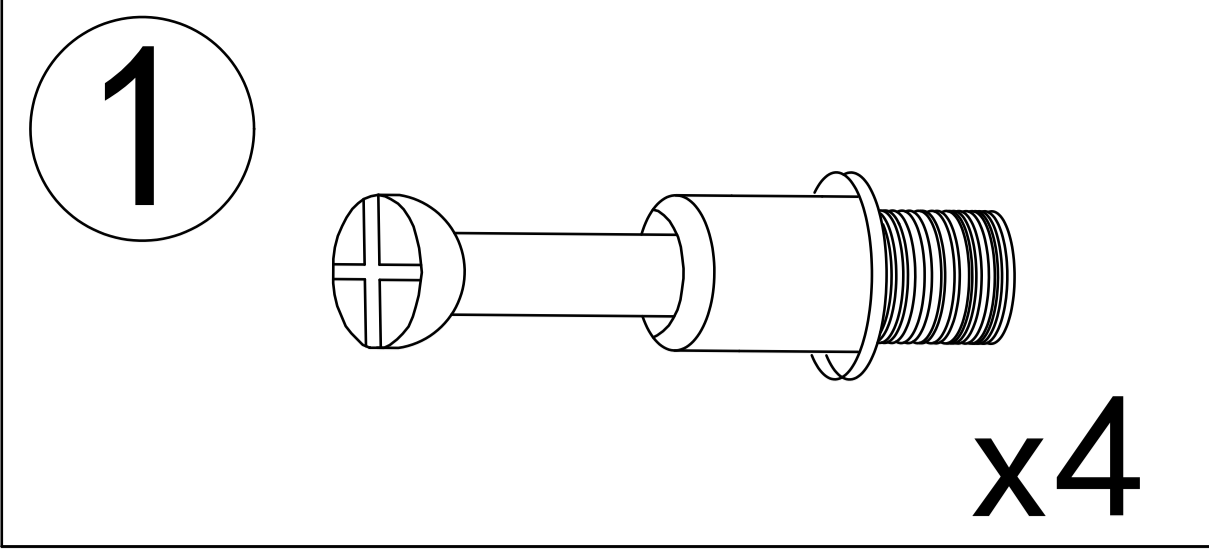
Step 14



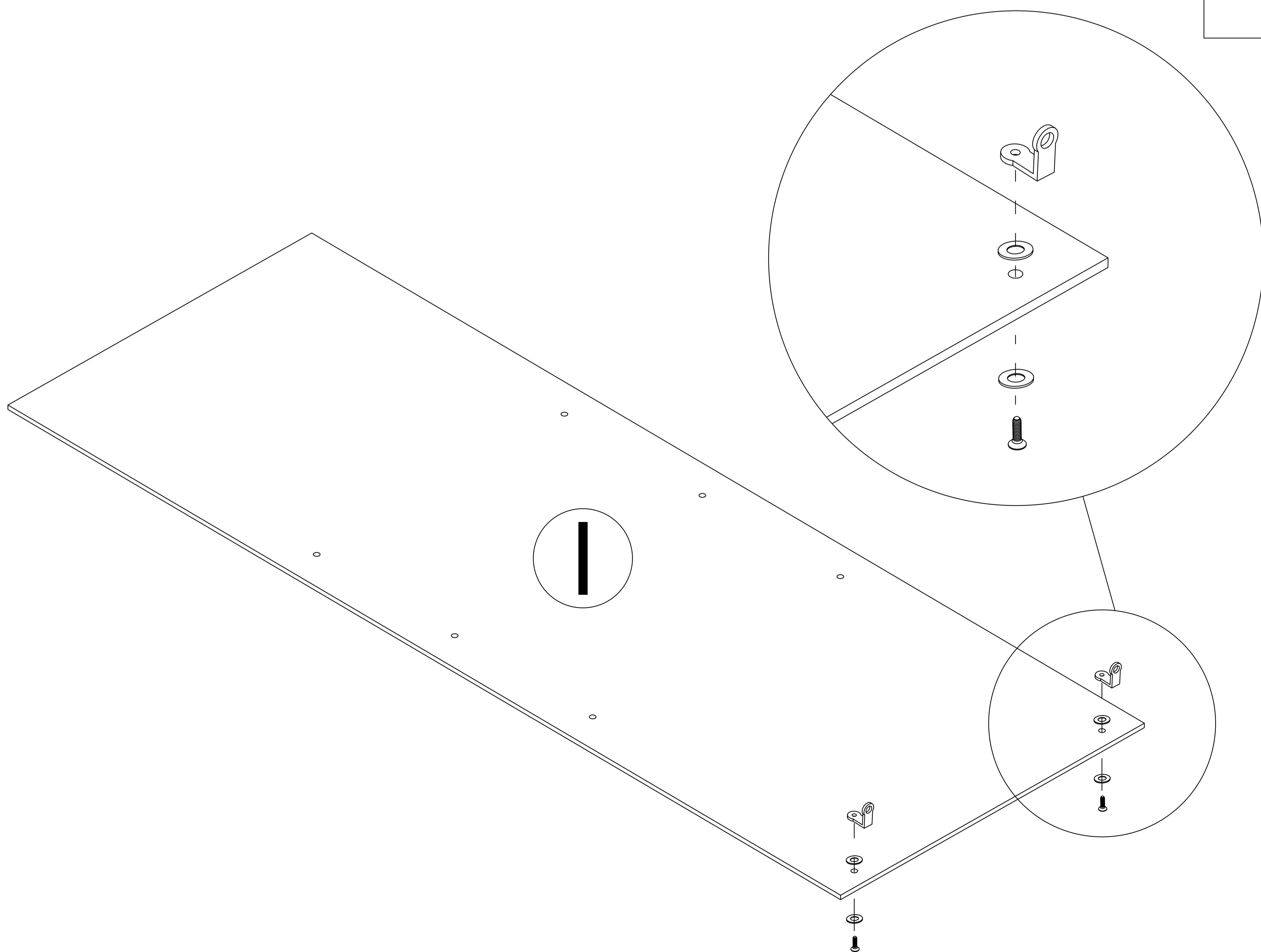
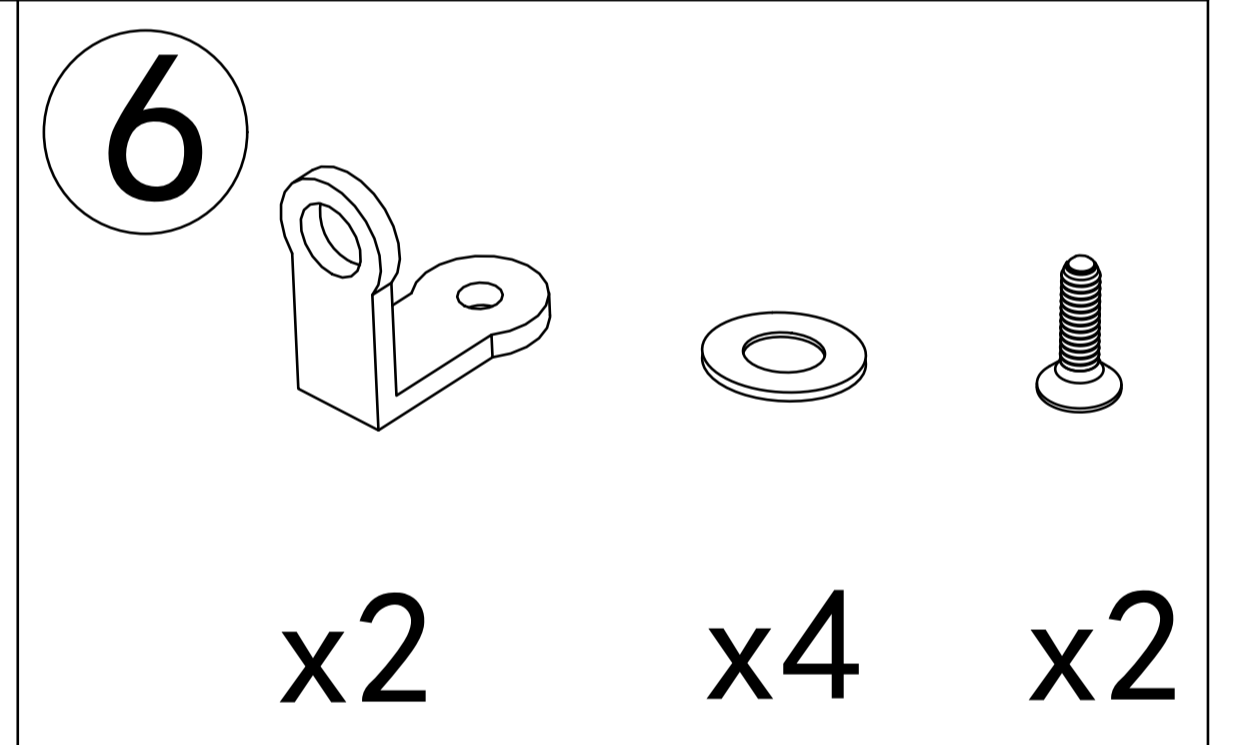
Place the H board, N0.⑤ strip, and H board in order



Step 15

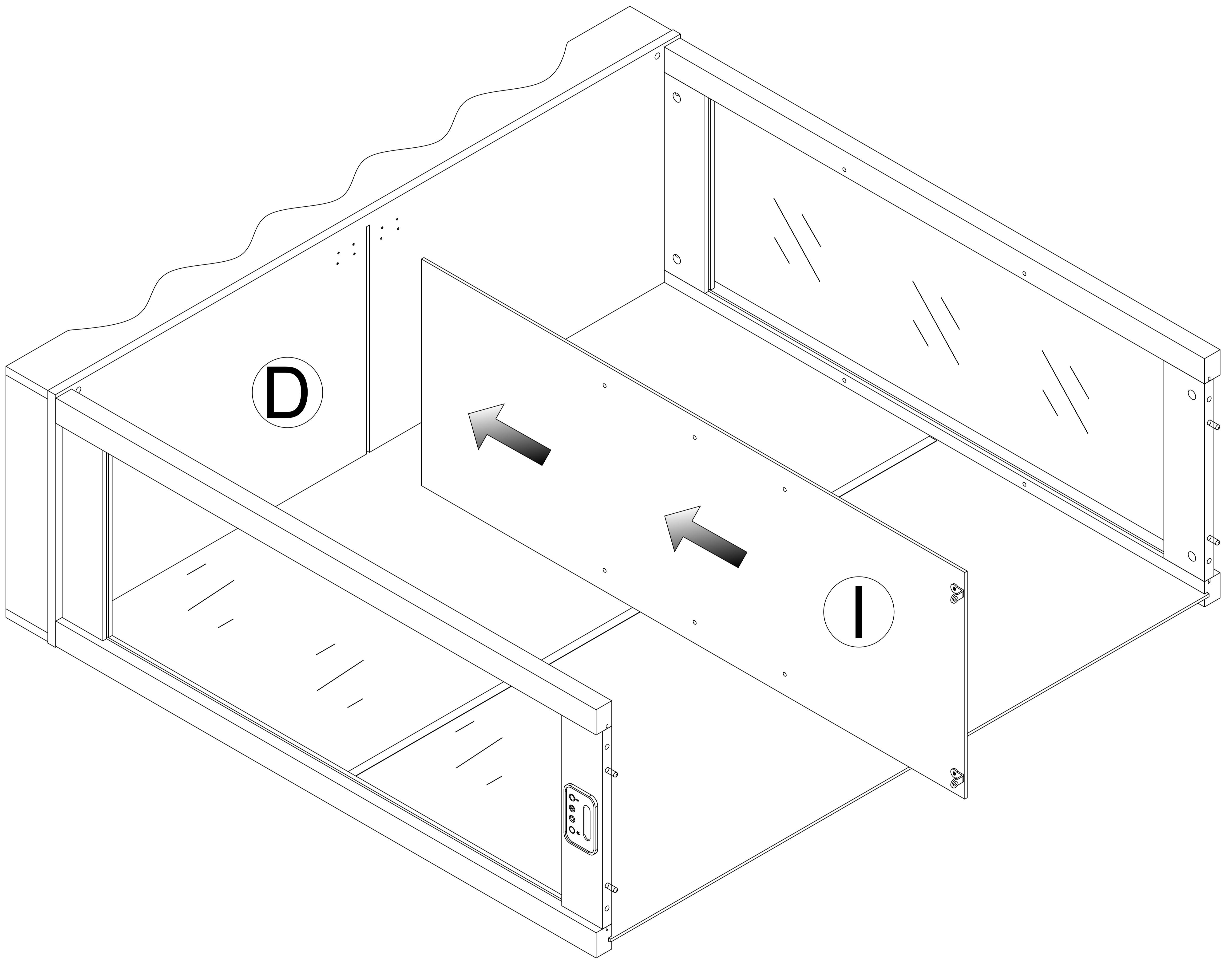


Step 16



Step 17

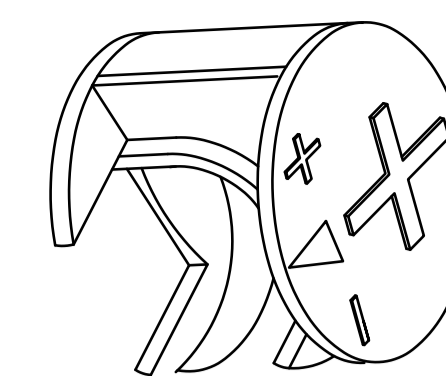
Two people are needed for installation.



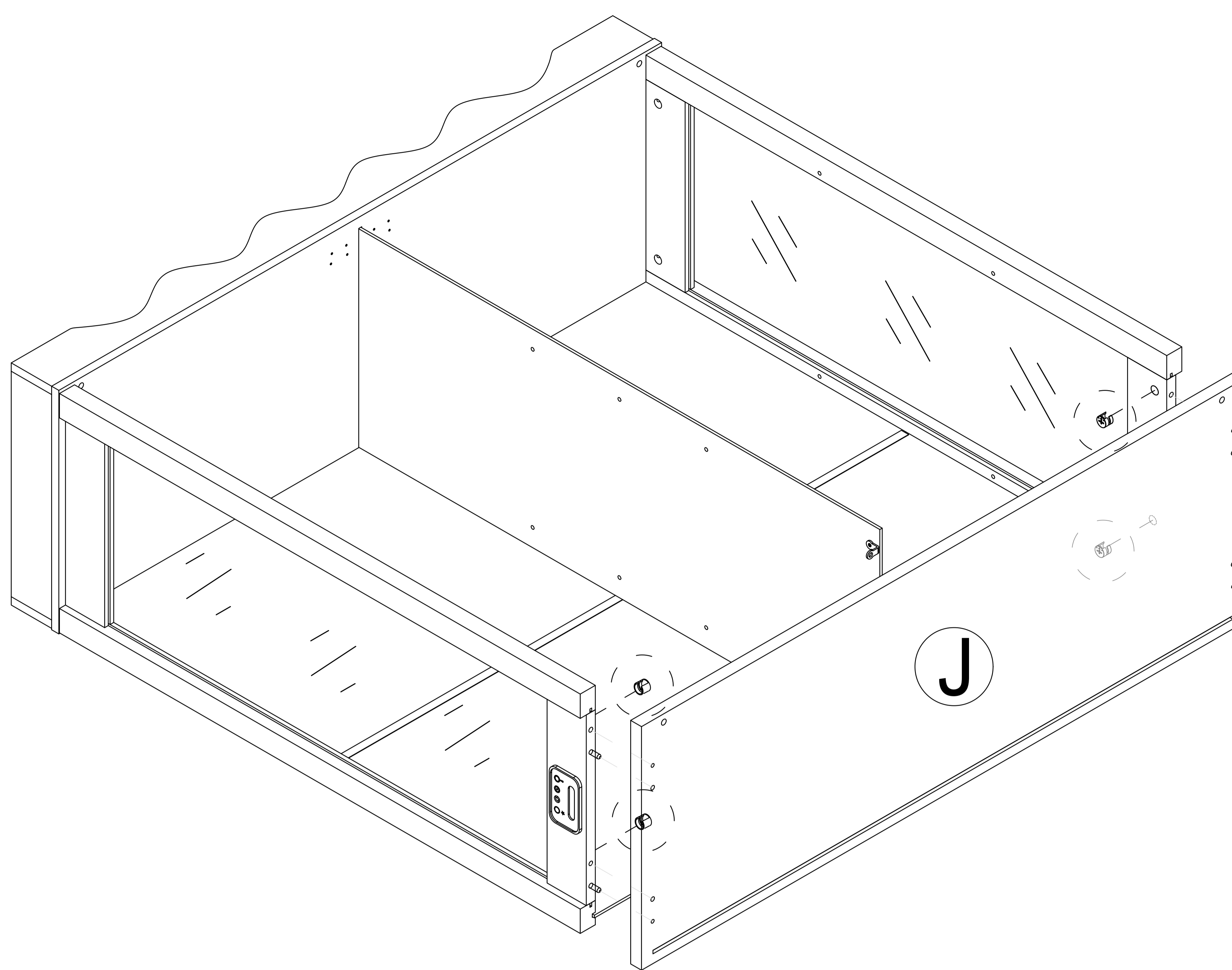
Insert the "L" glass plate into the slot of the "I" board.

Step 18

2

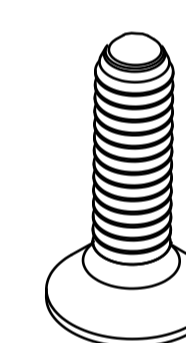


x4

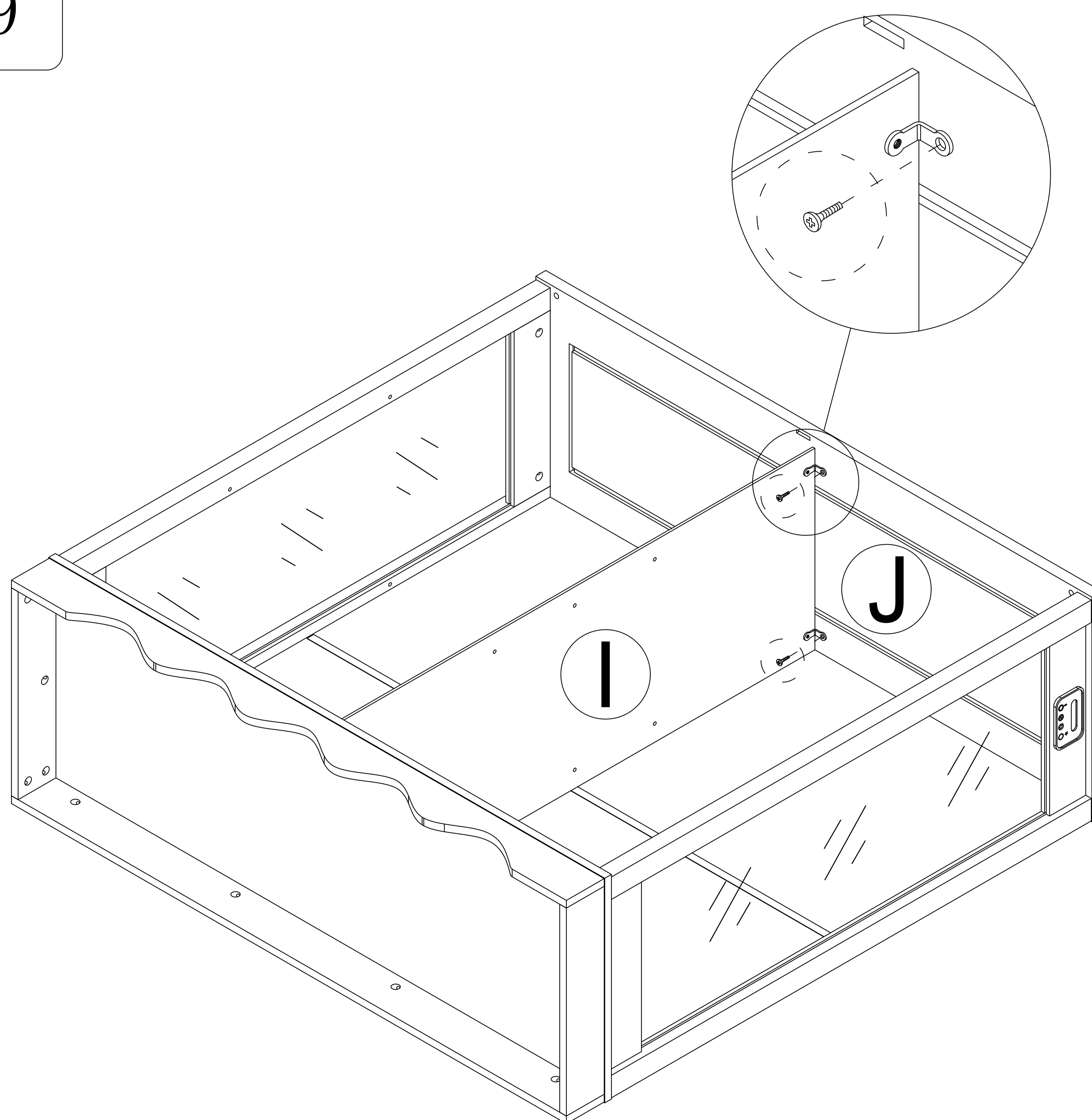


Step 19

7

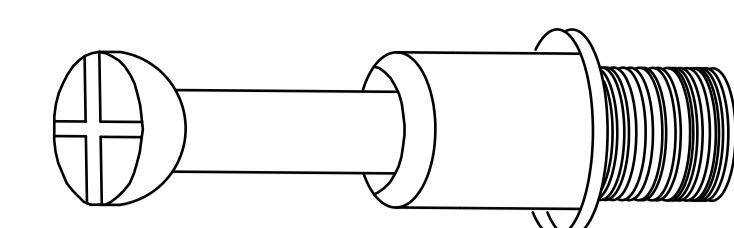


x2

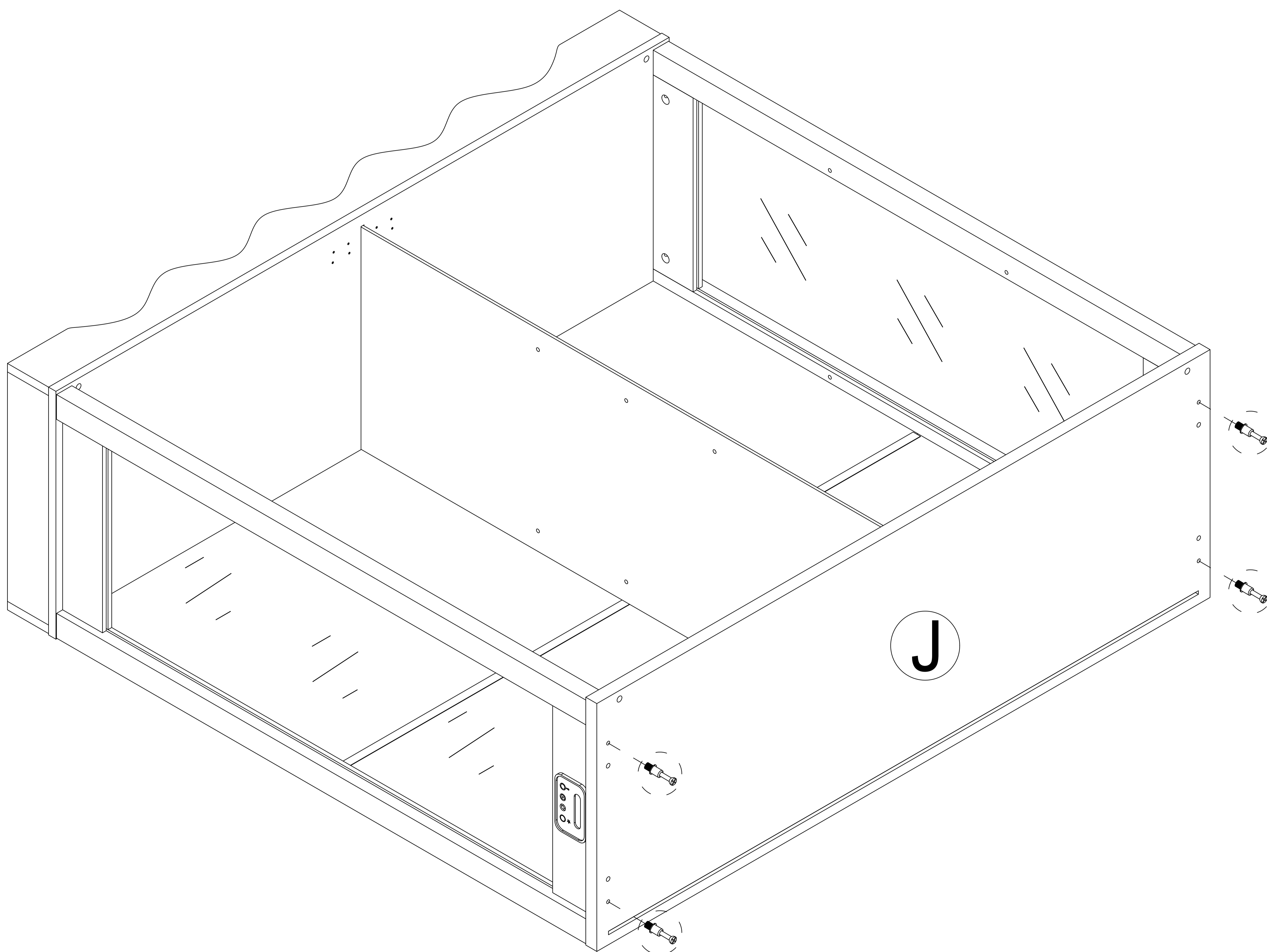


Step 20

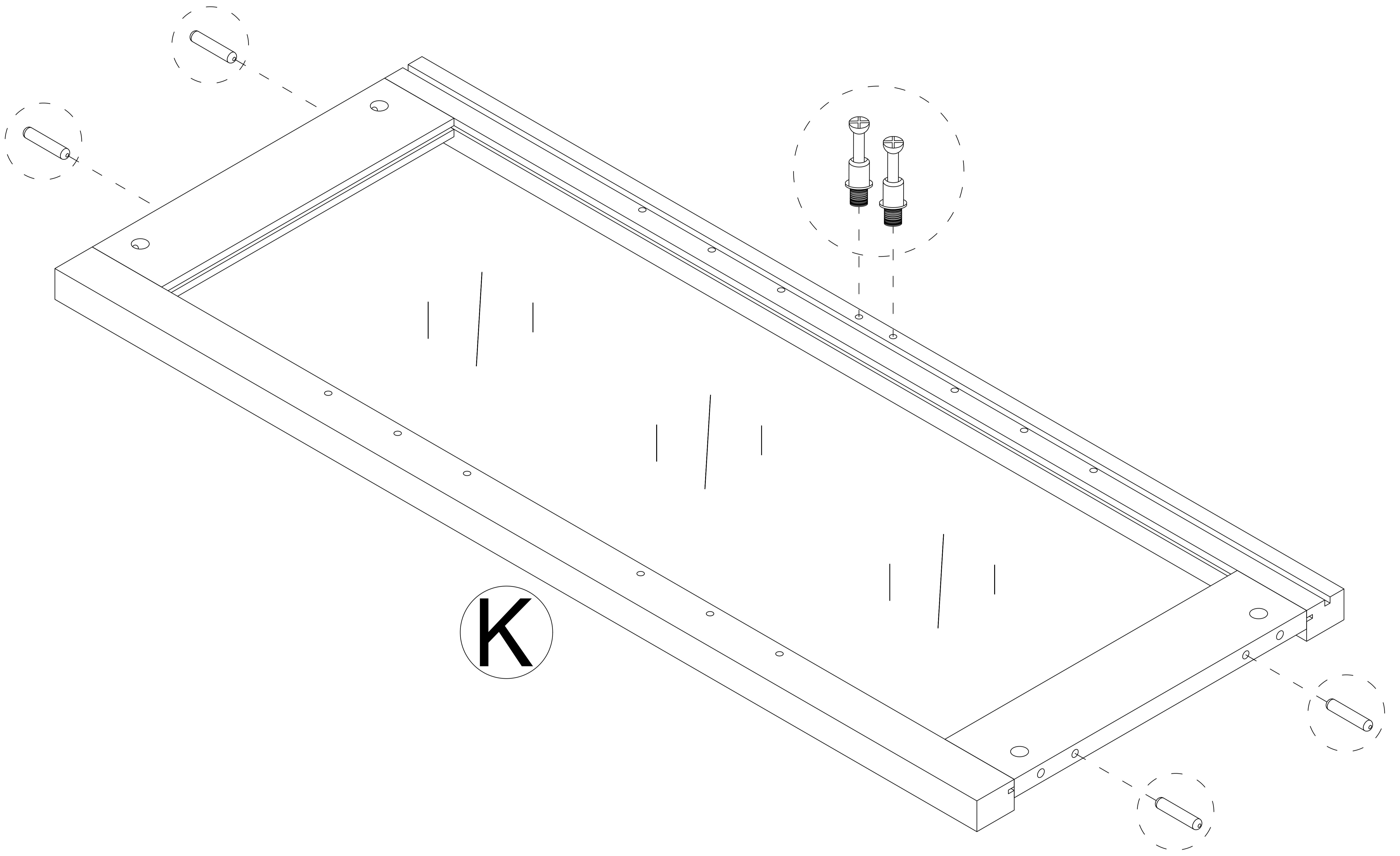
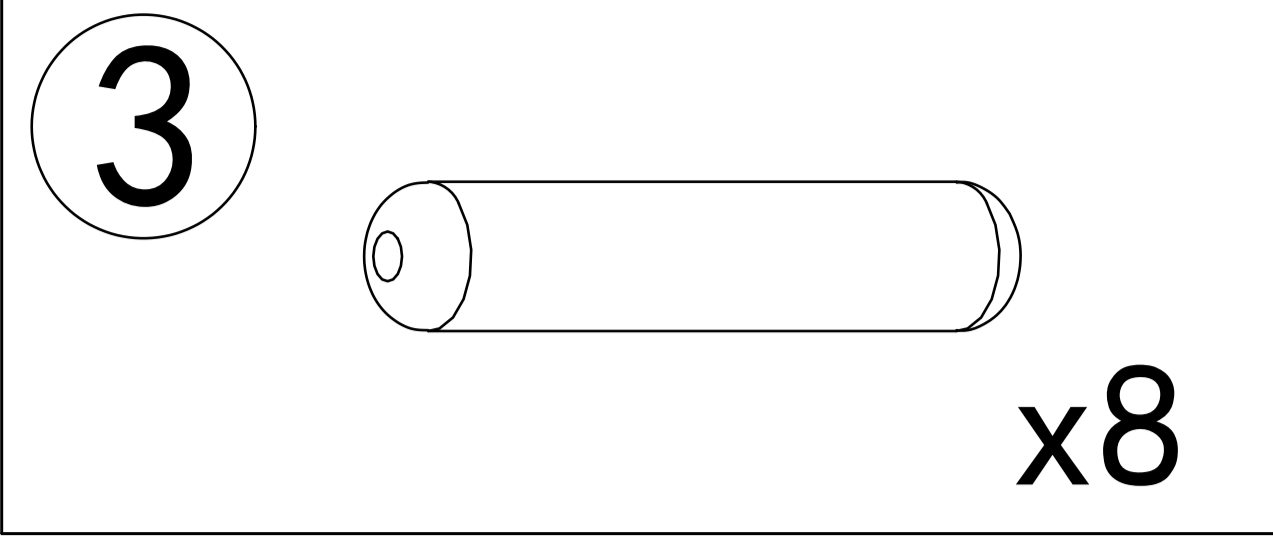
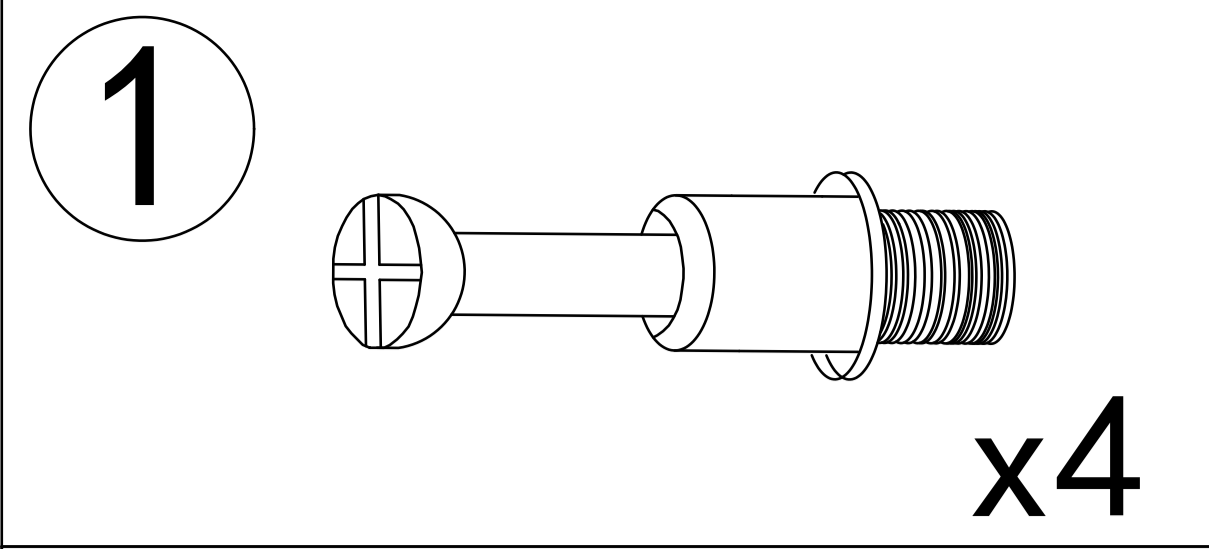
1



x4

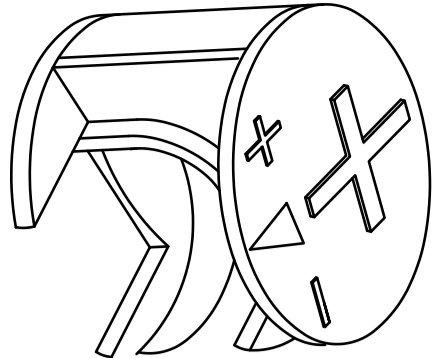


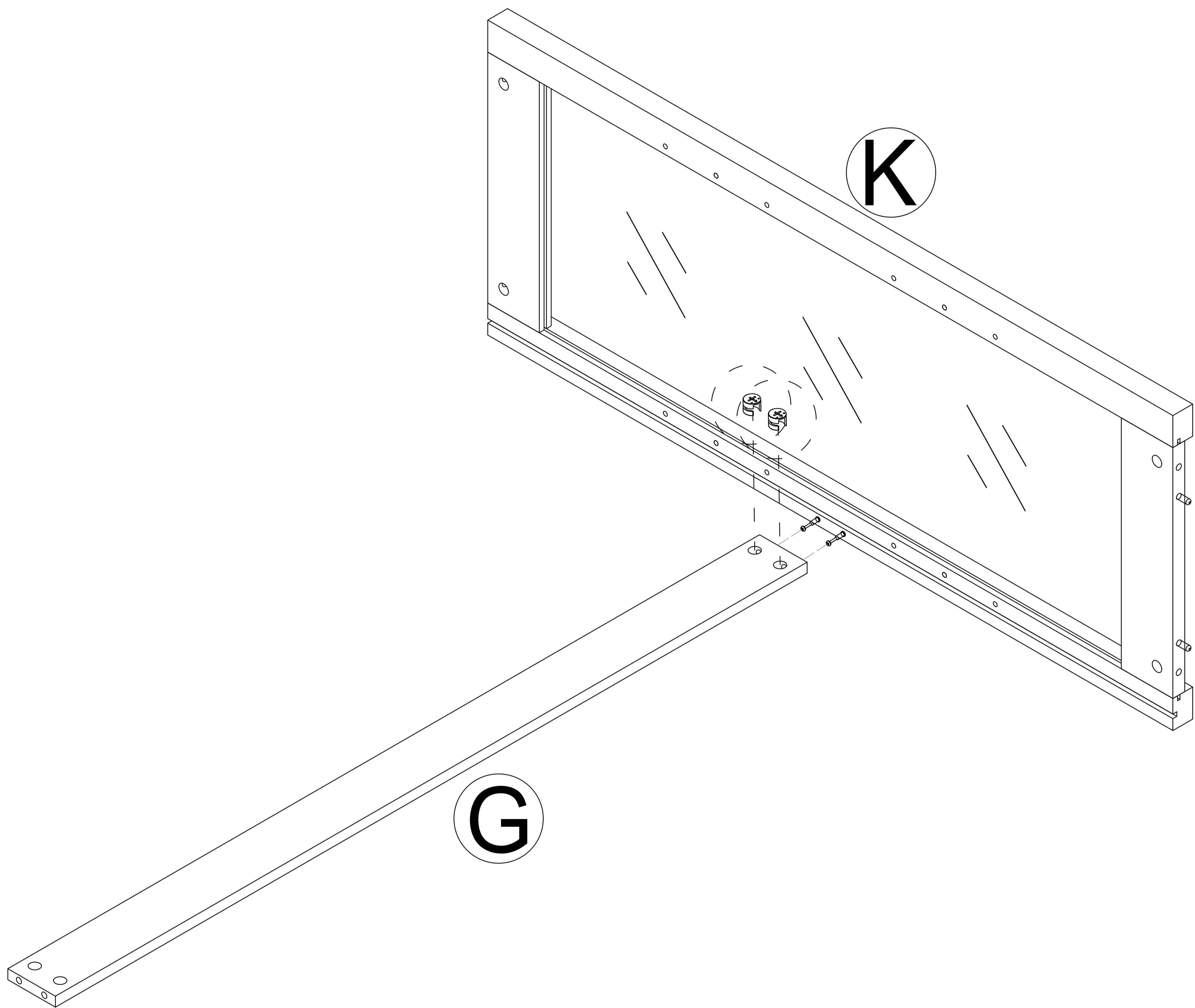
Step 21



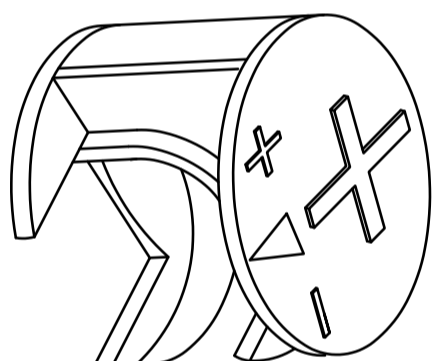
Steps and objects x2

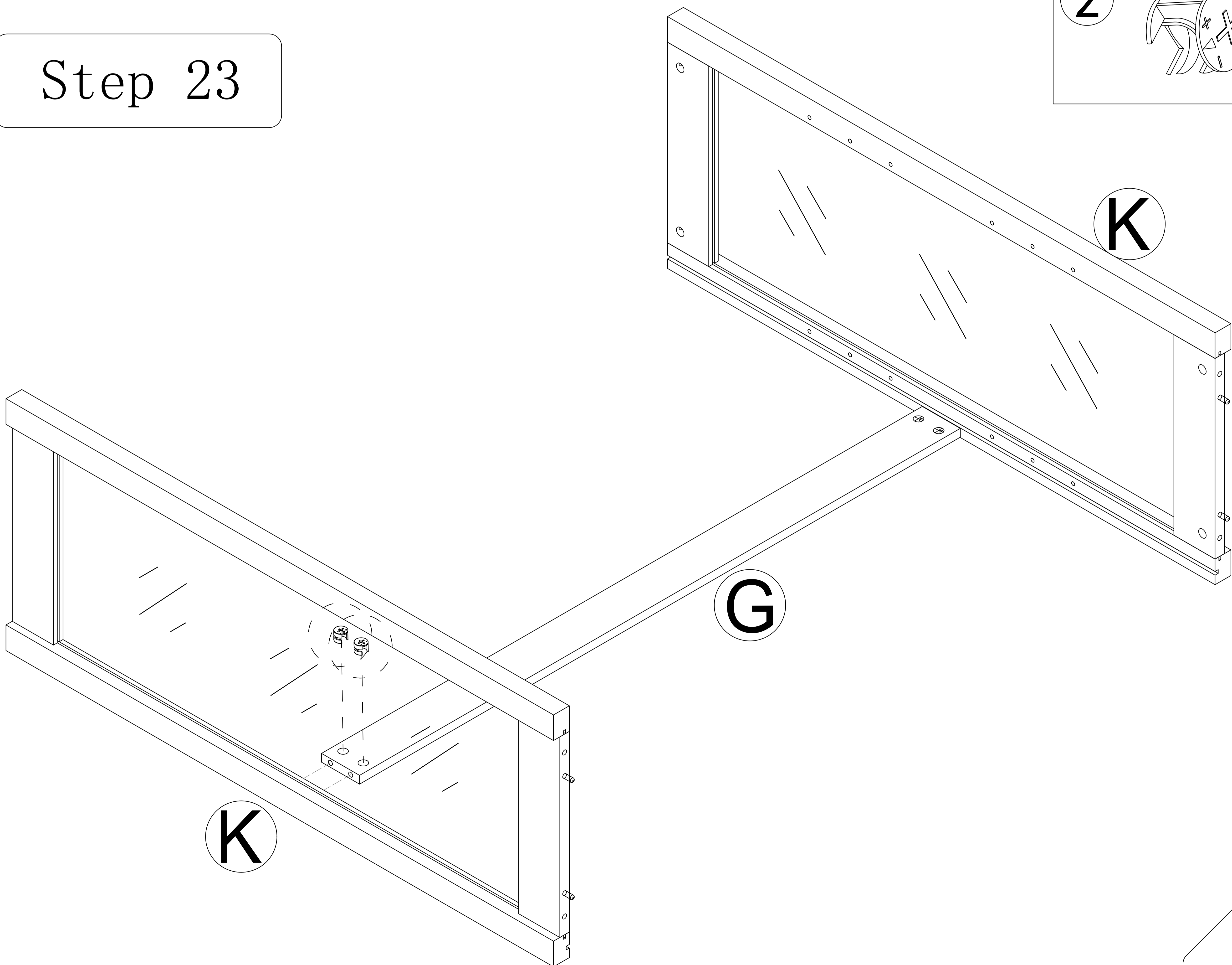
Step 22

2  x2

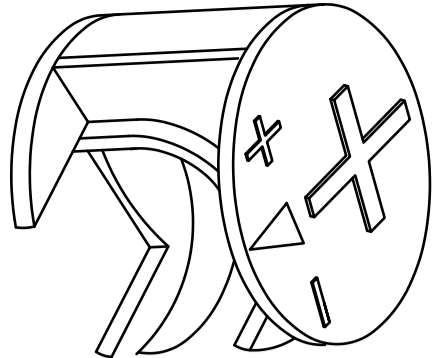


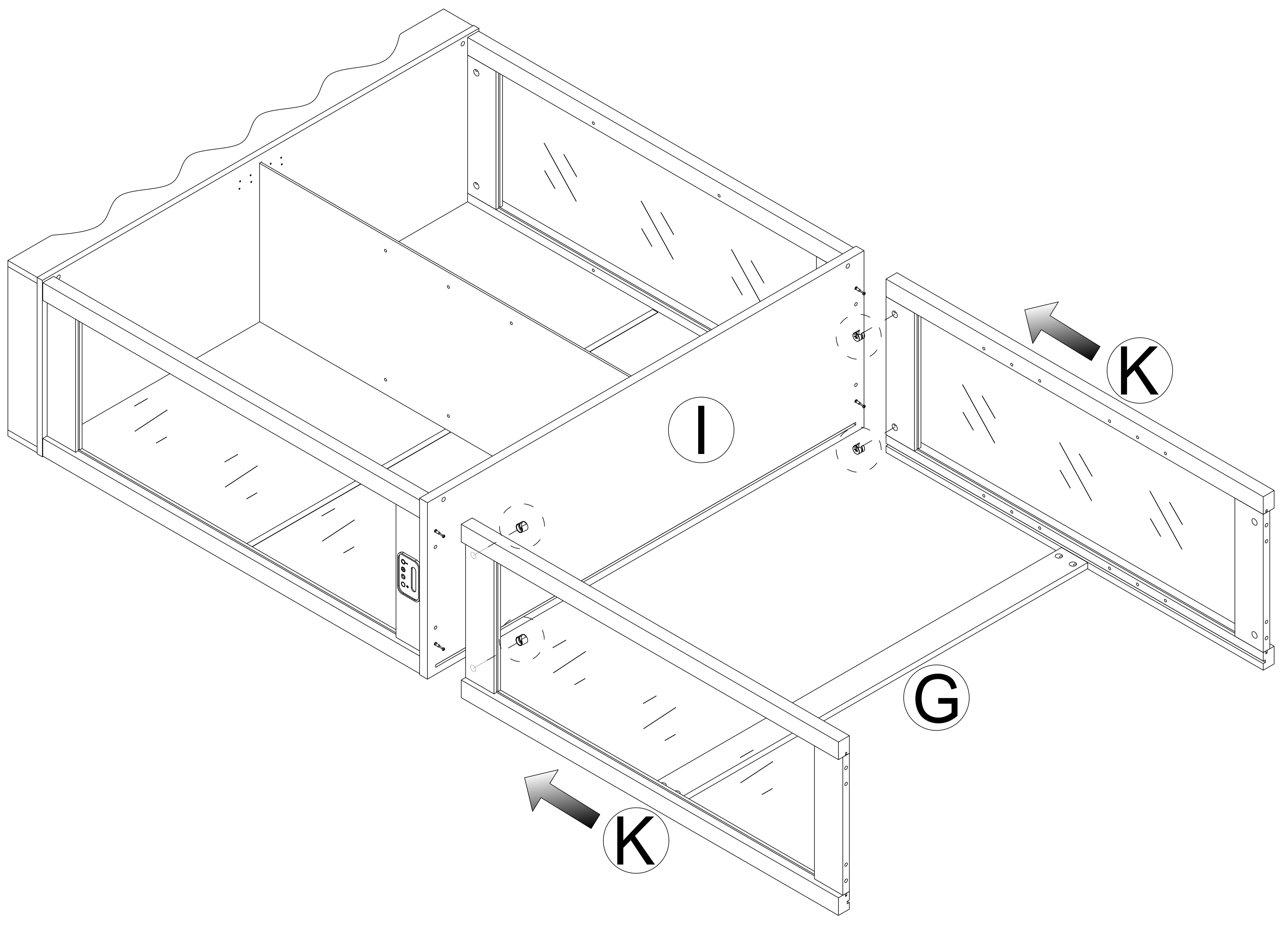
Step 23

2  x2



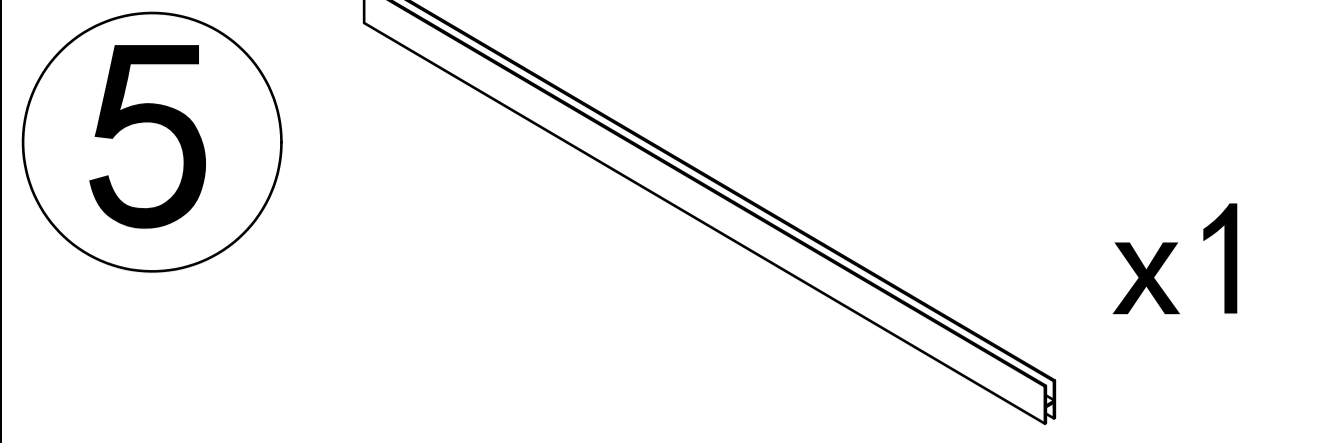
Step 24

2  x4

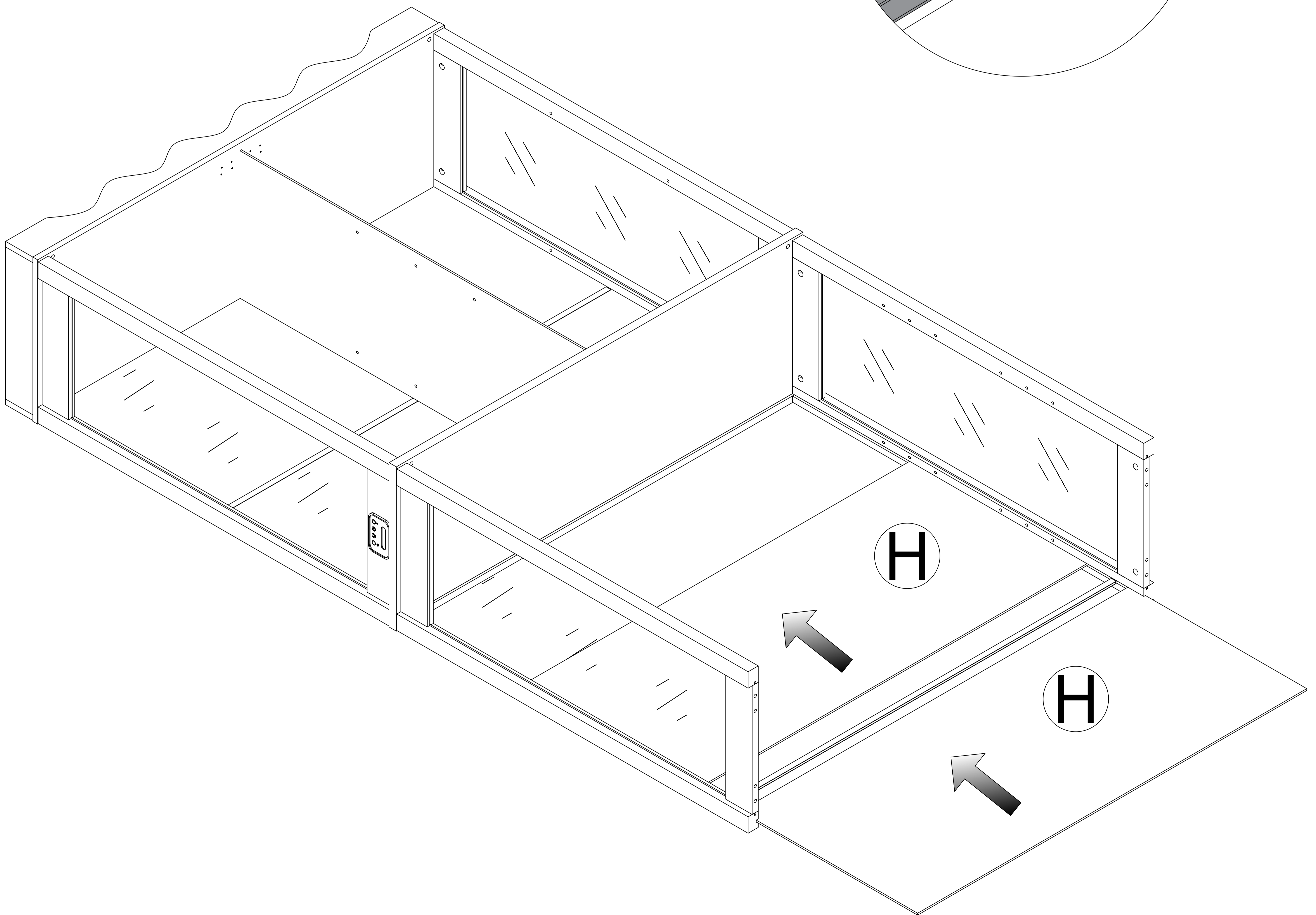
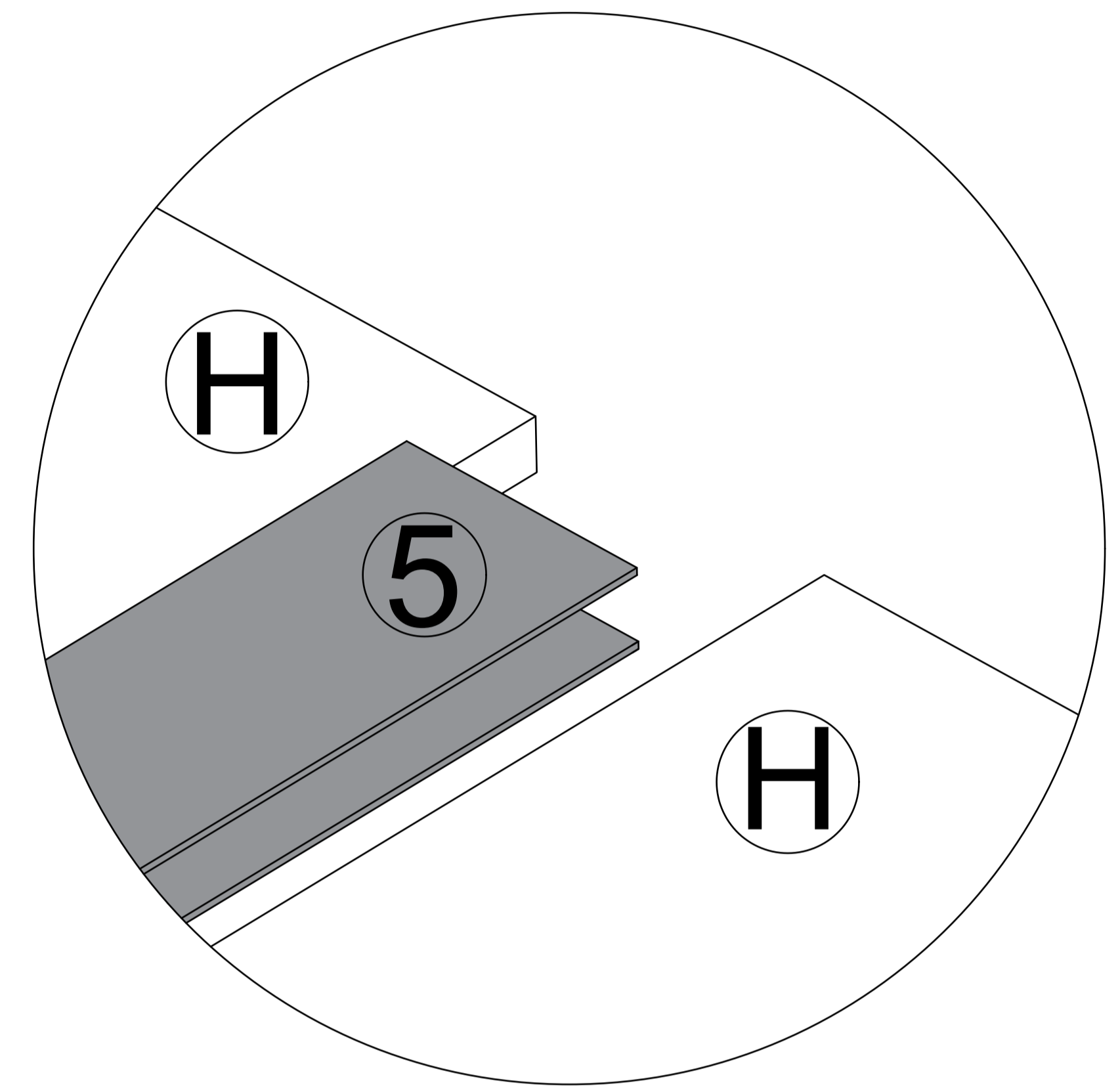


It is recommended that two people work together to install the structural wood panels.

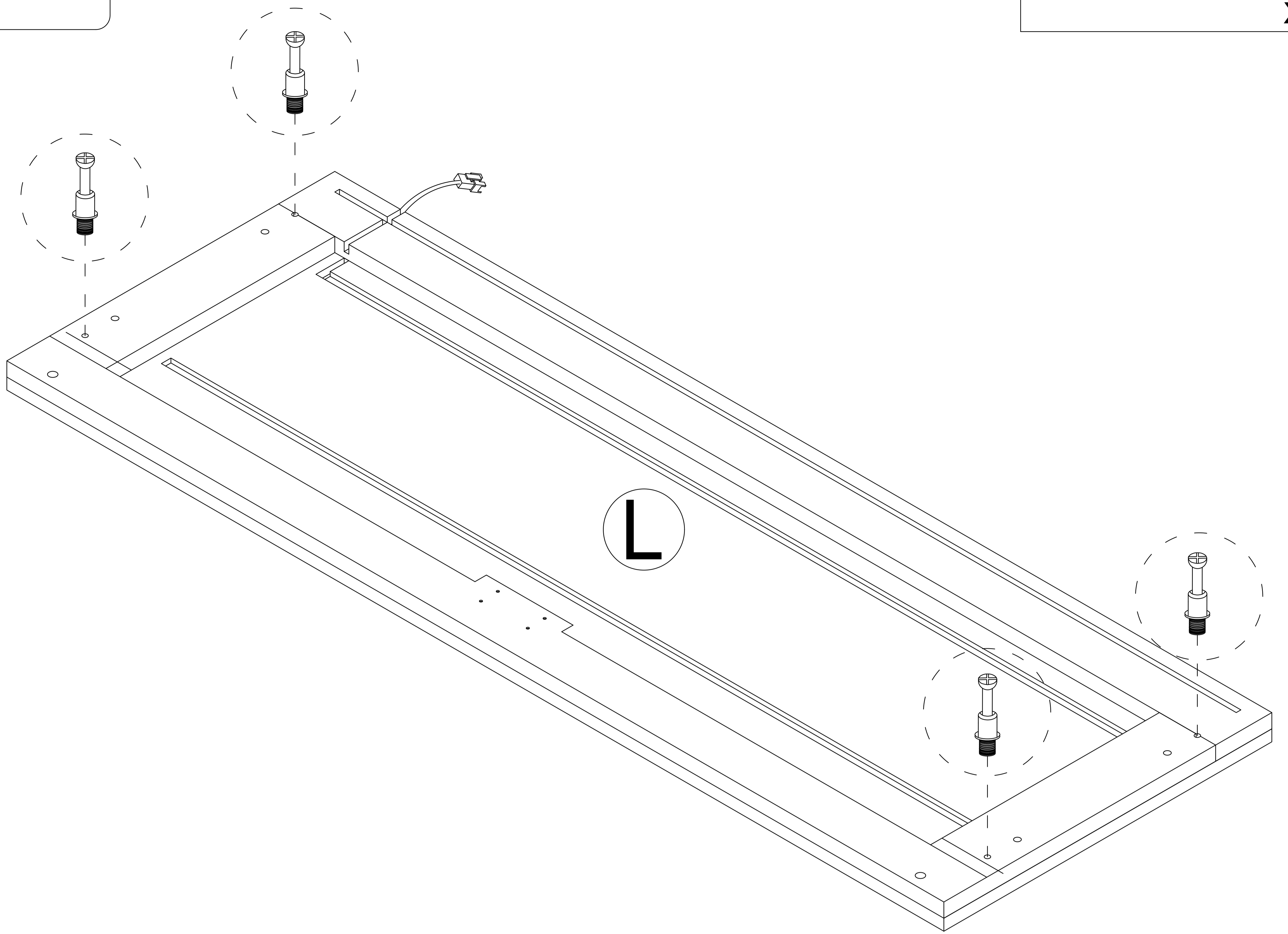
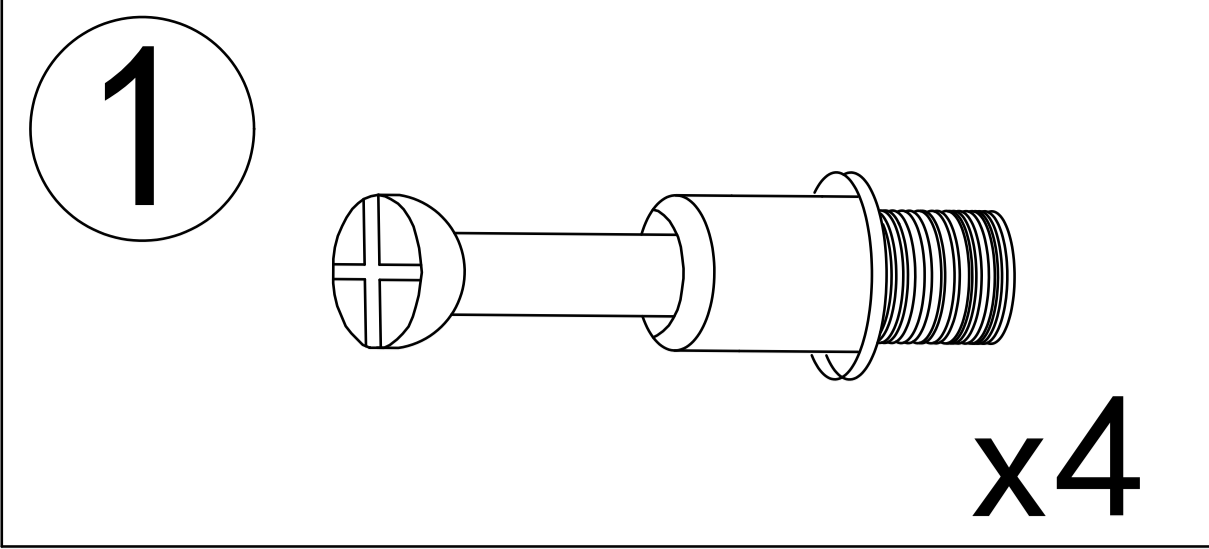
Step 25



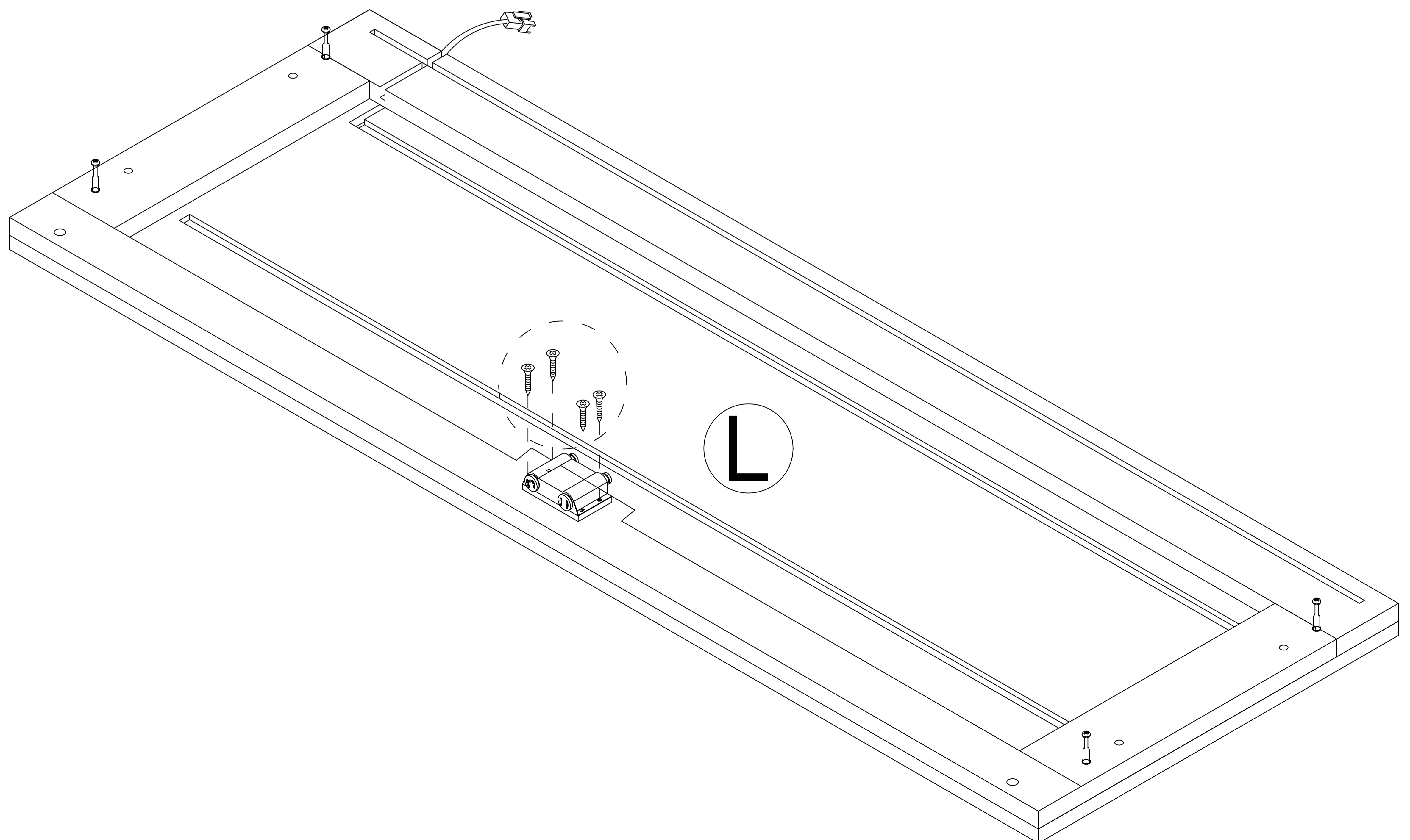
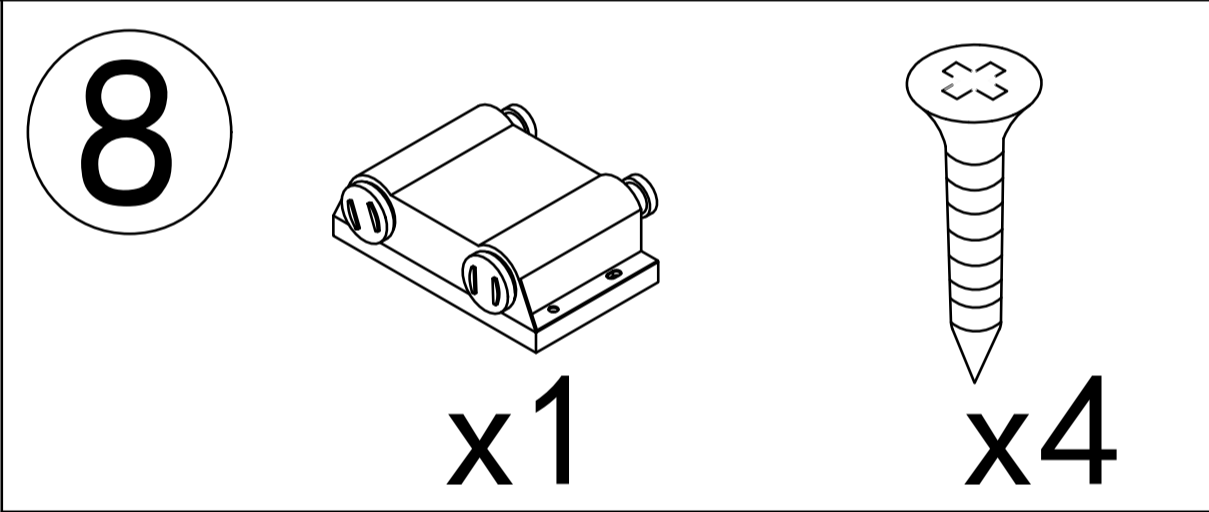
Place the H board, N0.⑤ strip, and H board in order



Step 26

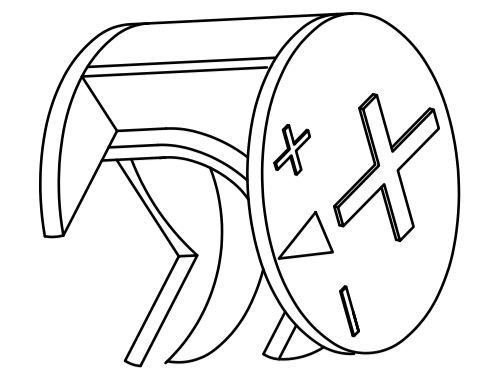


Step 27

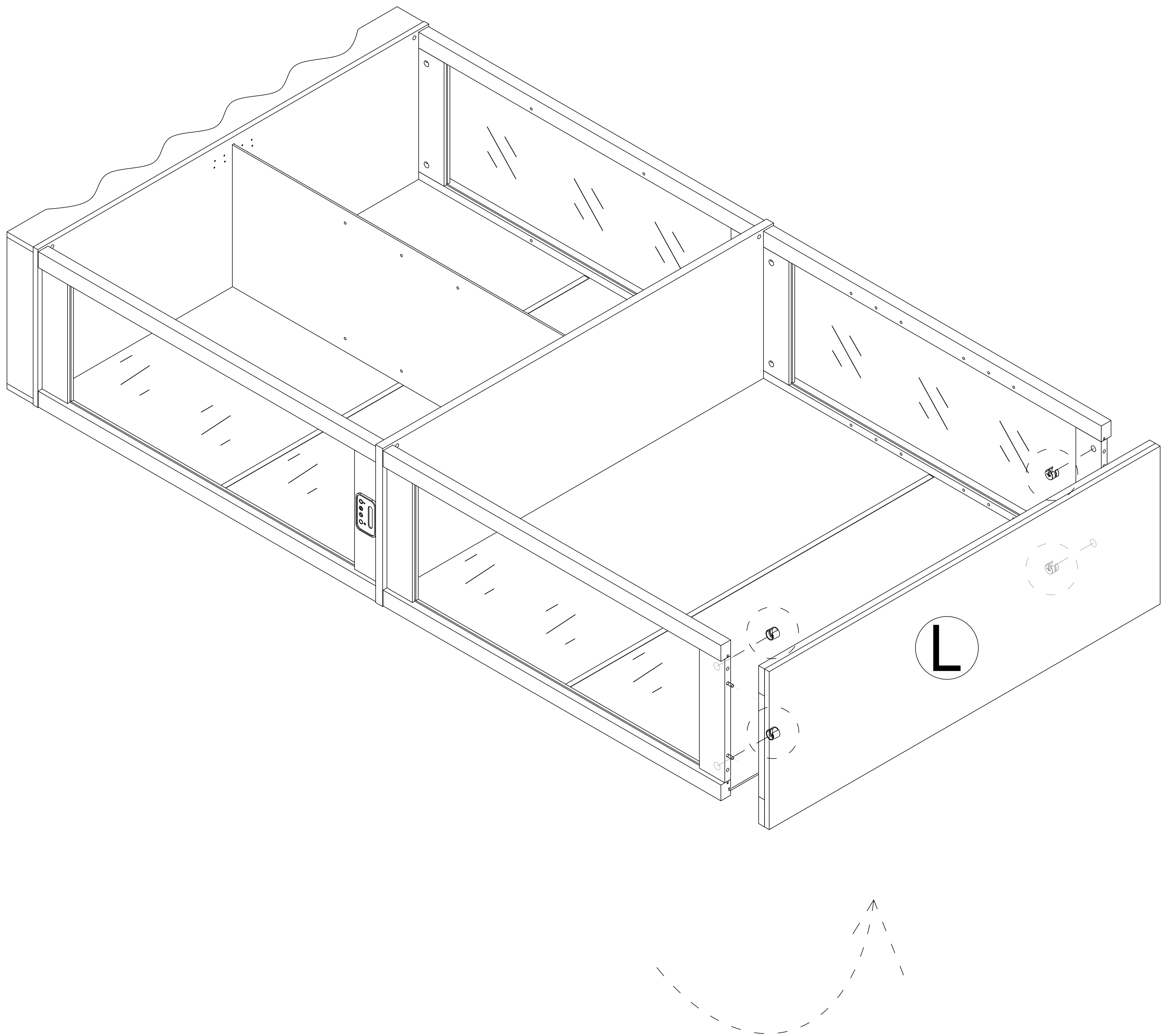


Step 28

2



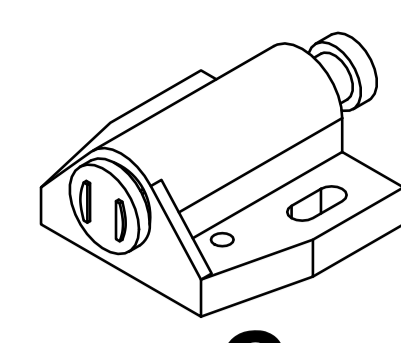
x4



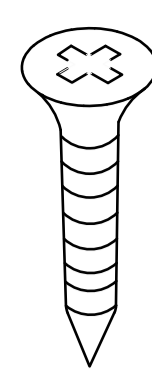
Two people are needed to assist in lifting the cabinet after installation.

Step 29

9



x2

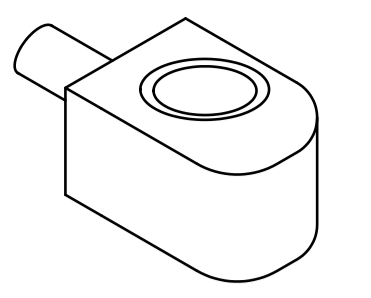


x8

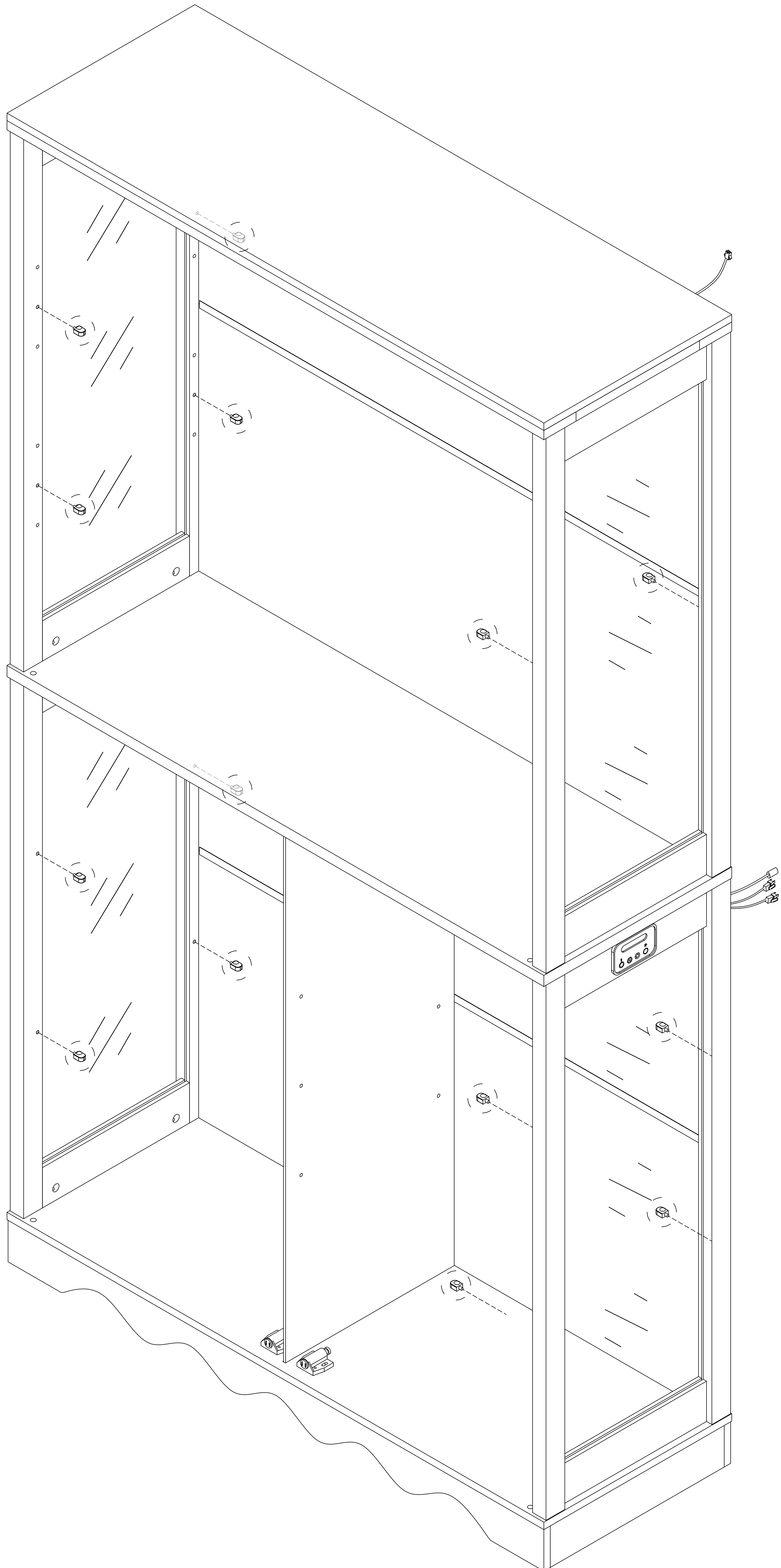


Step 30

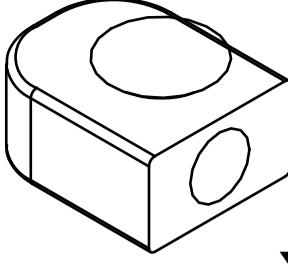
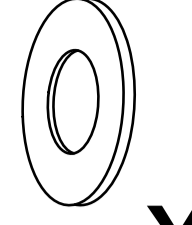
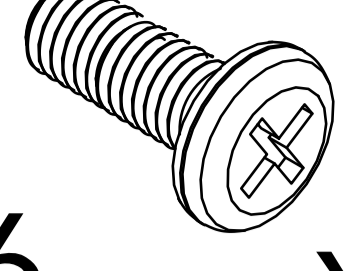
10

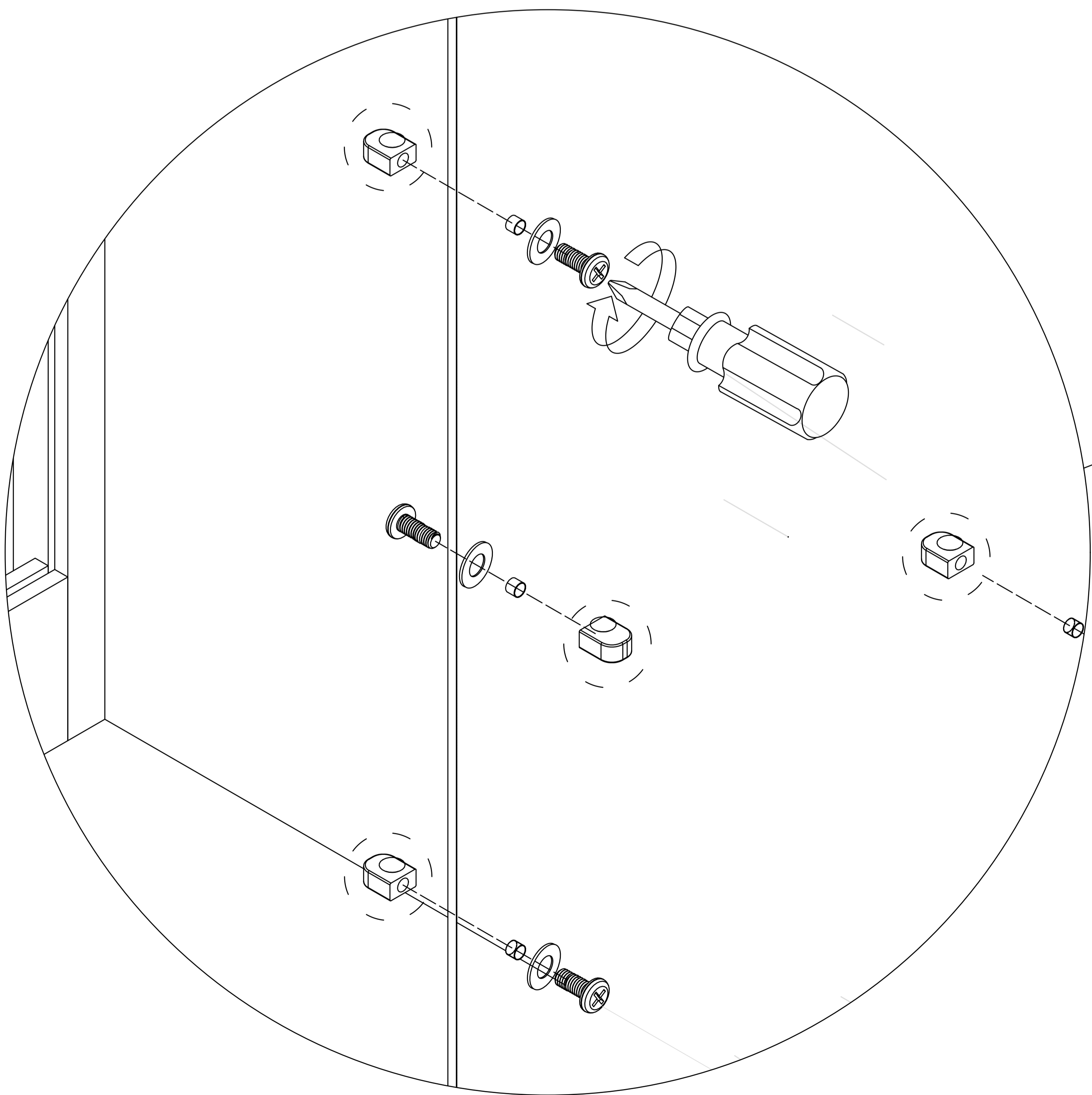
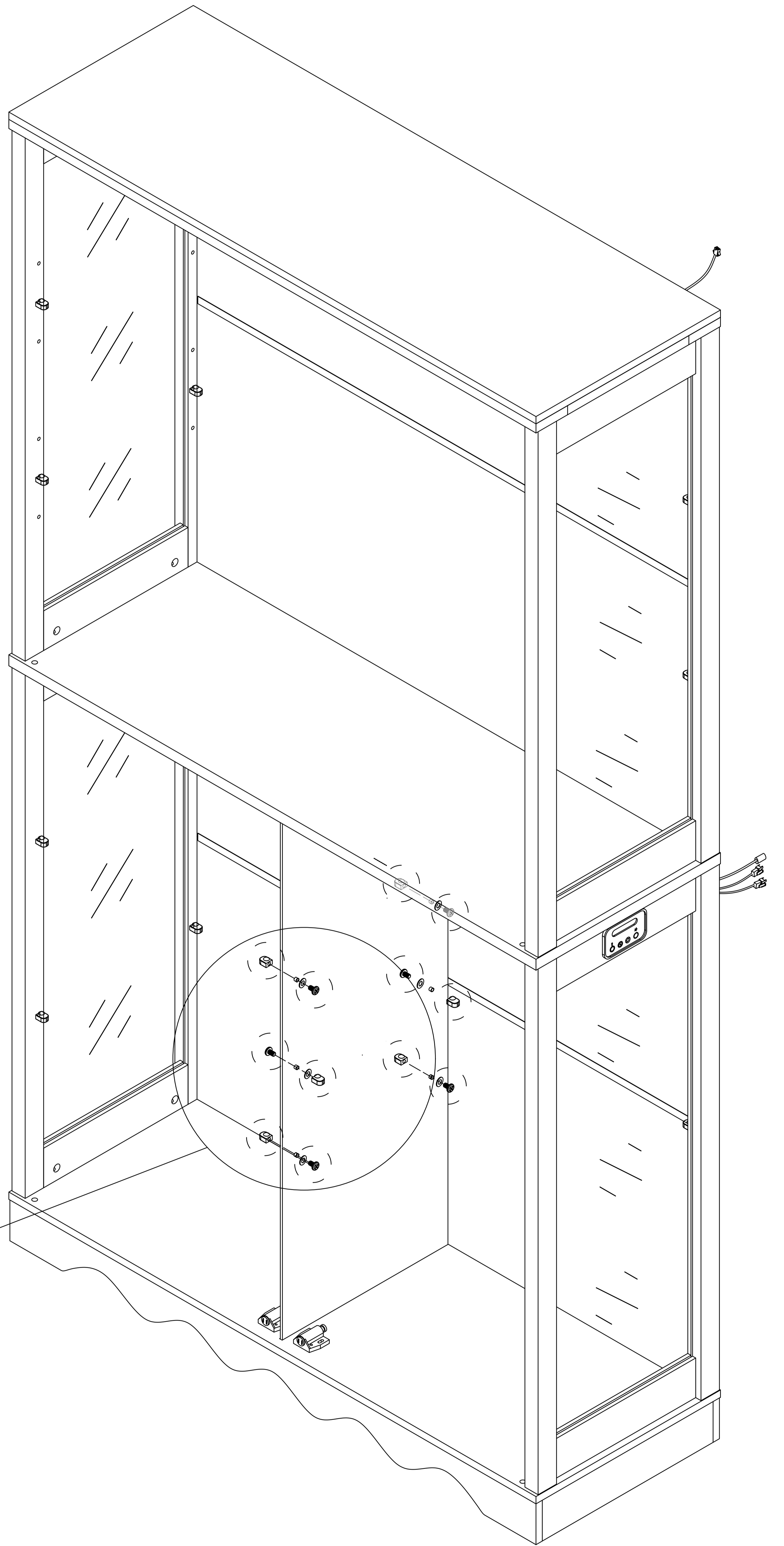
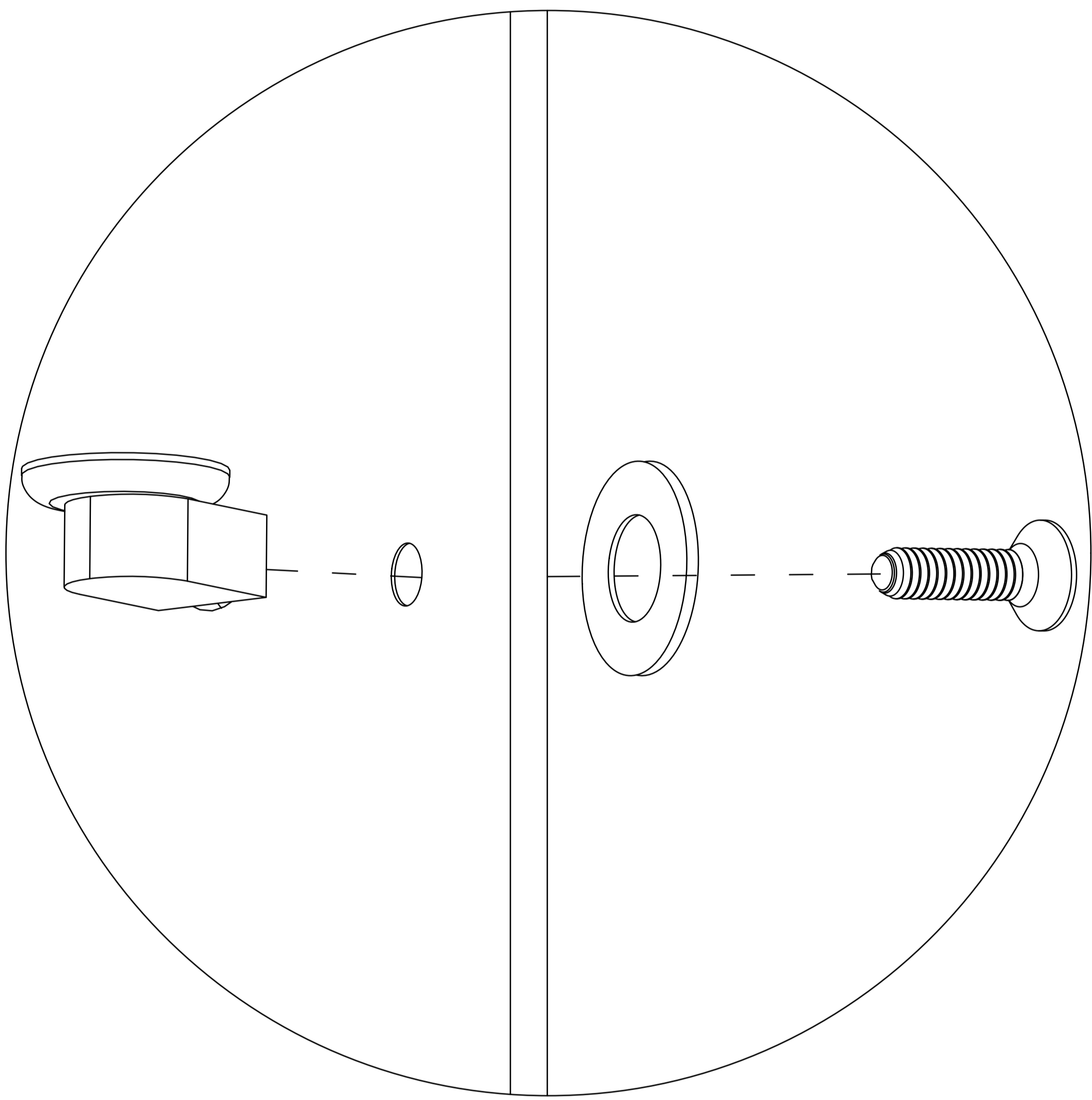


x14

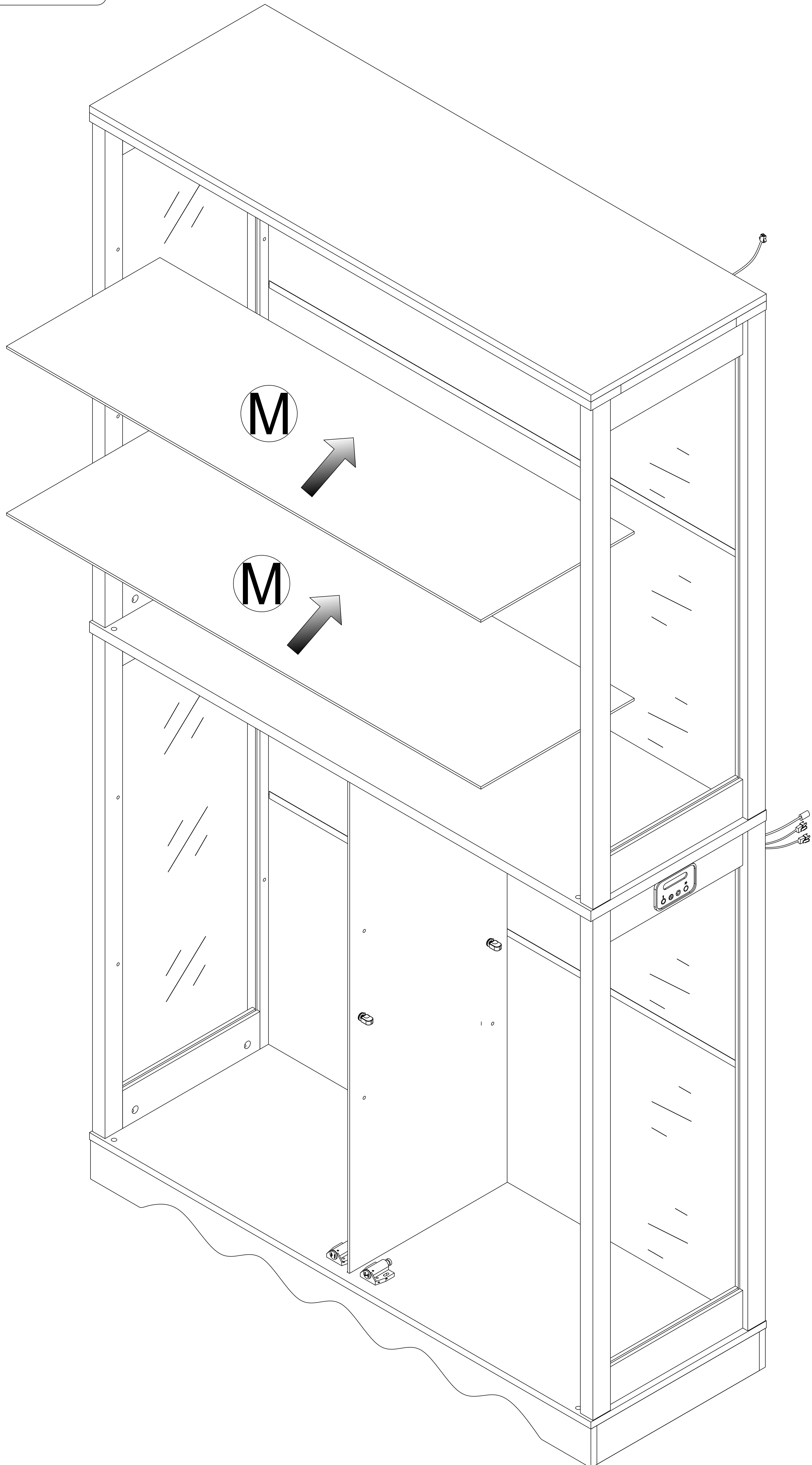


Step 31

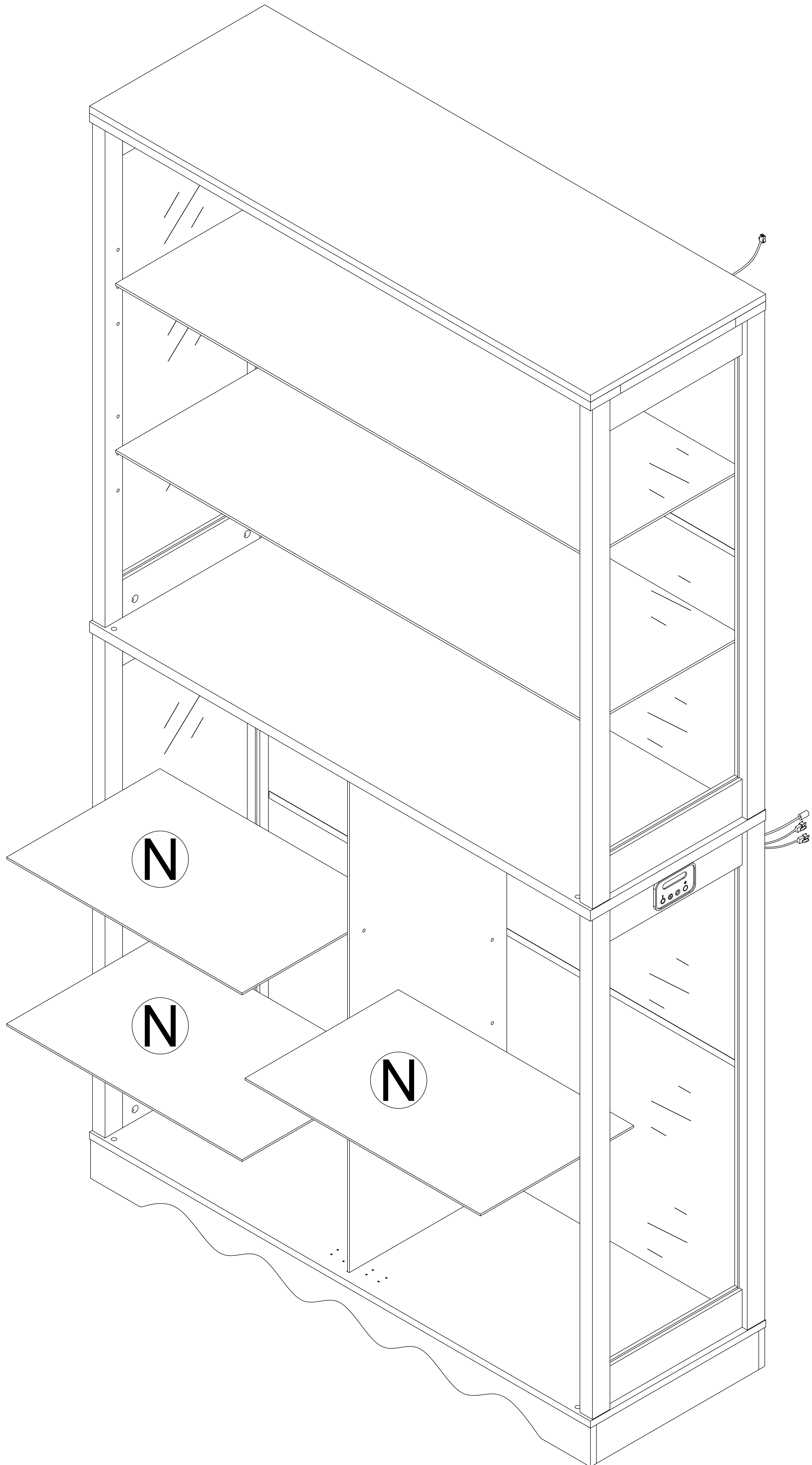
11  x6  x6  x6



Step 32

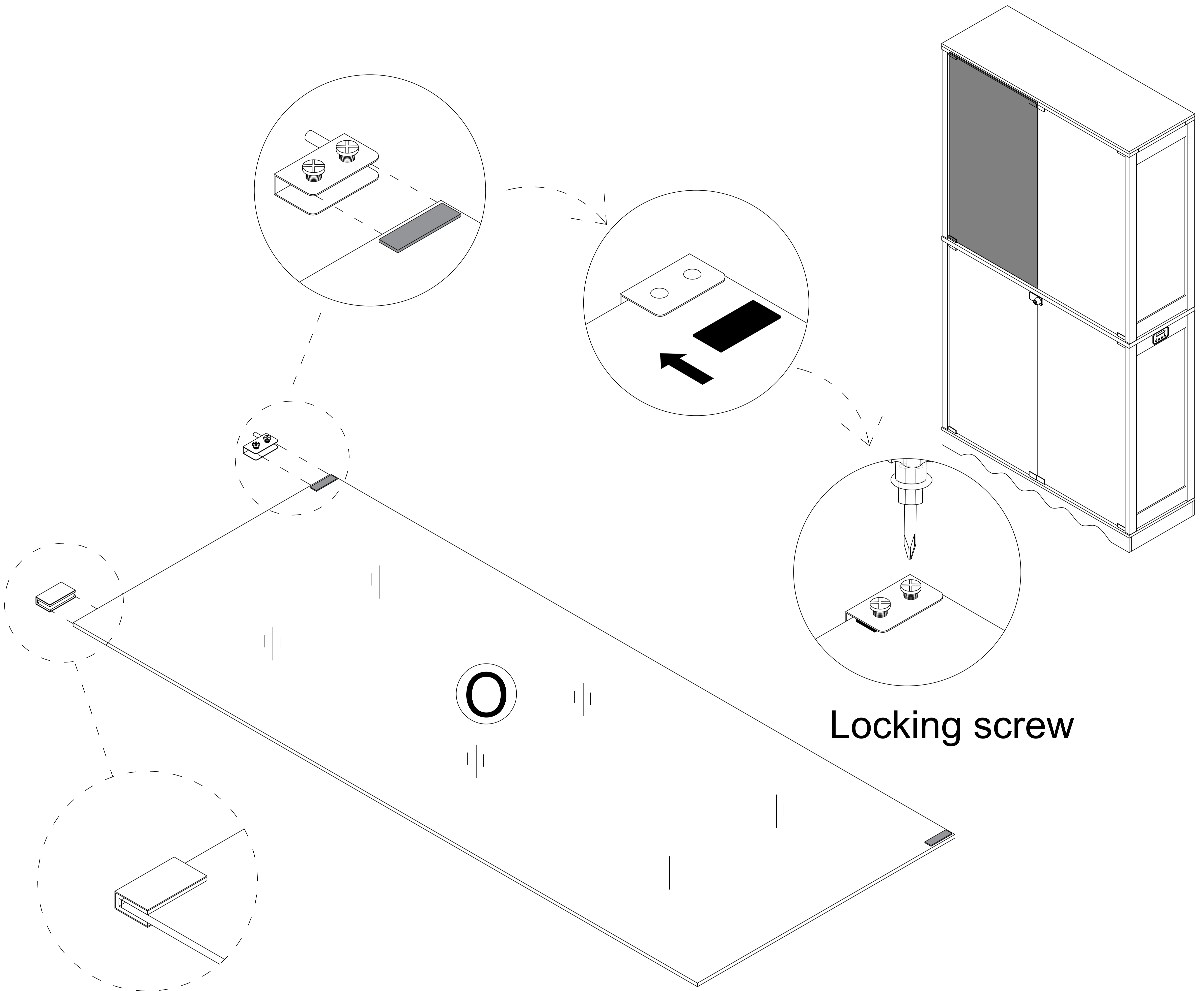
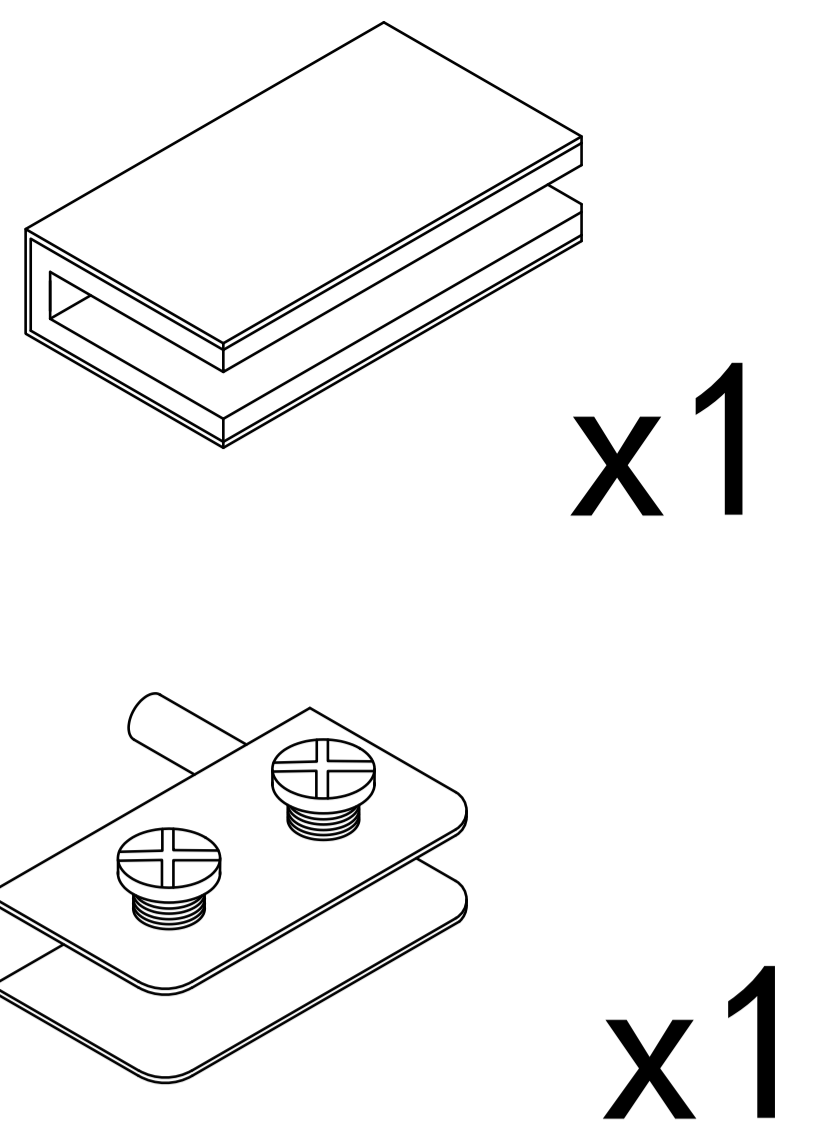


Step 33



Step 34

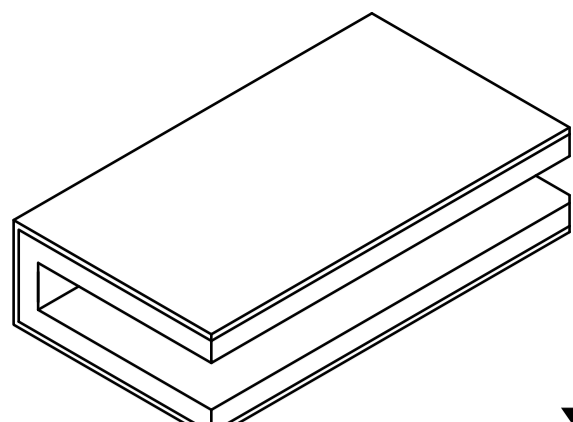
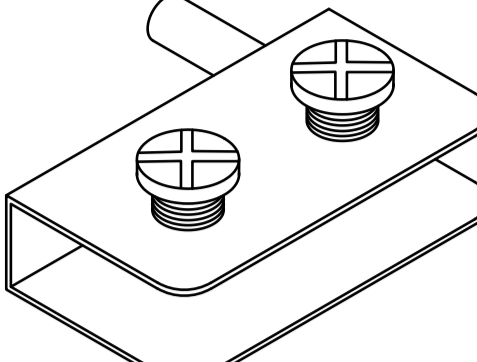
8

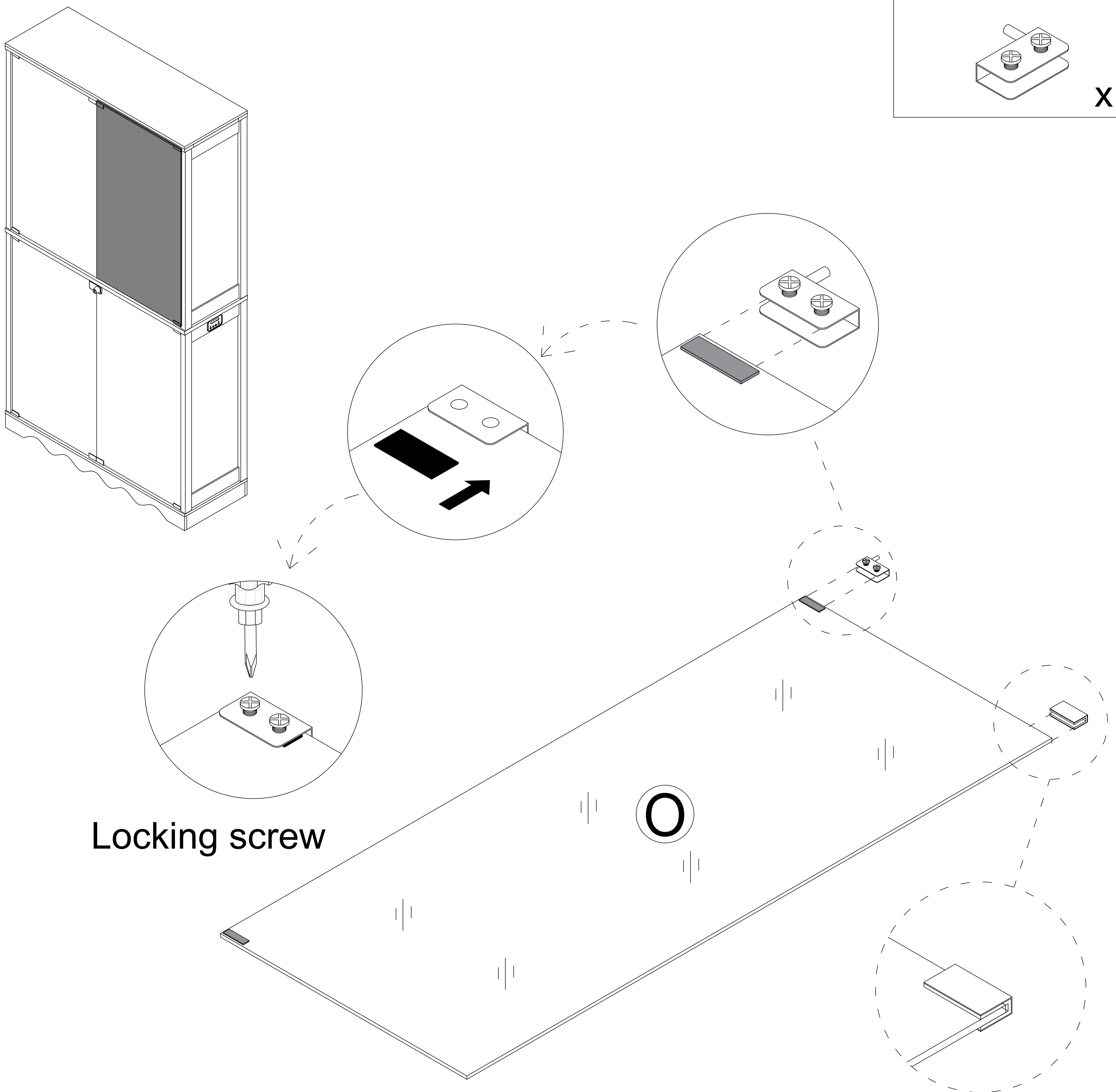


Pay attention to the direction of the door hinge, rotate the screws to compress the black gasket, and do not place it in the opposite direction

Place the black gasket on the side where the screws are installed

Step 35

- 8  x1
-  x1

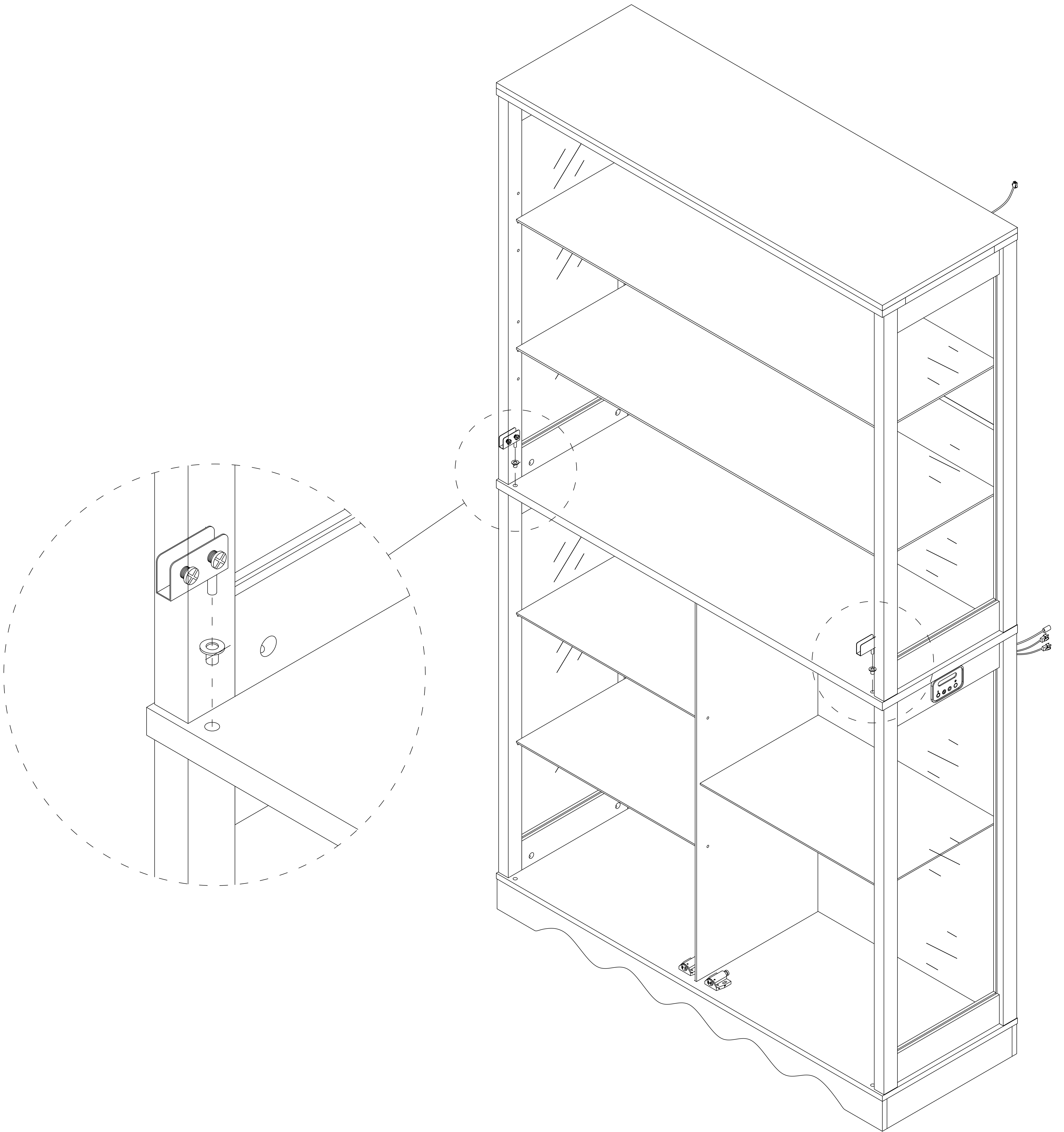
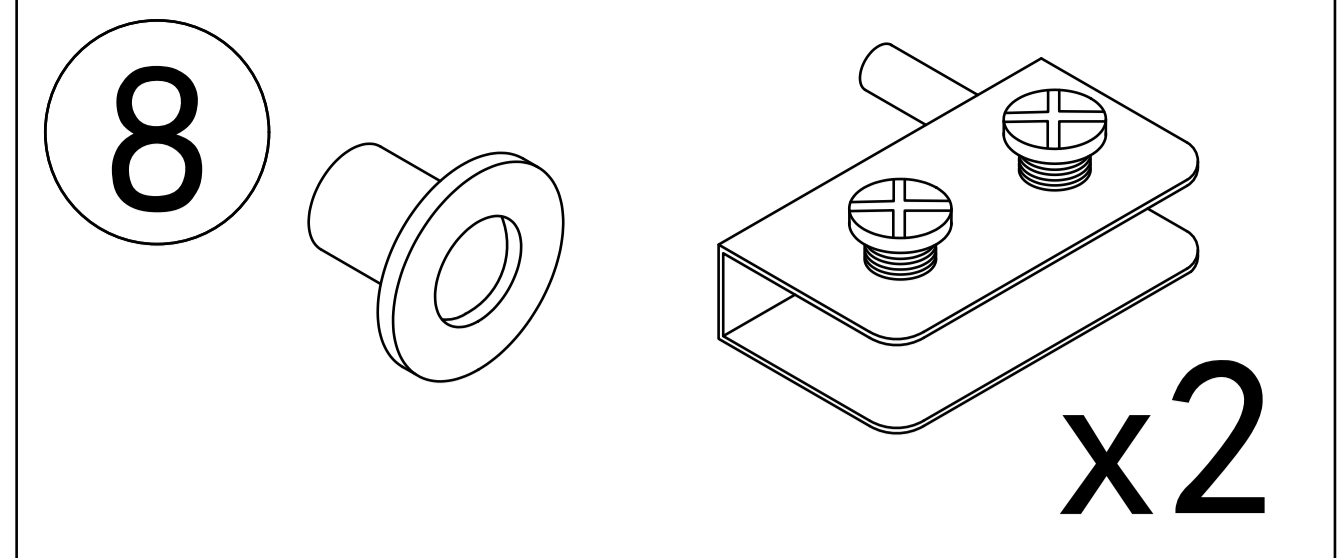


Locking screw

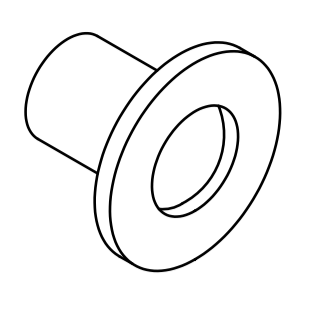
Pay attention to the direction of the door hinge, rotate the screws to compress the black gasket, and do not place it in the opposite direction

Place the black gasket on the side where the screws are installed

Step 36



8

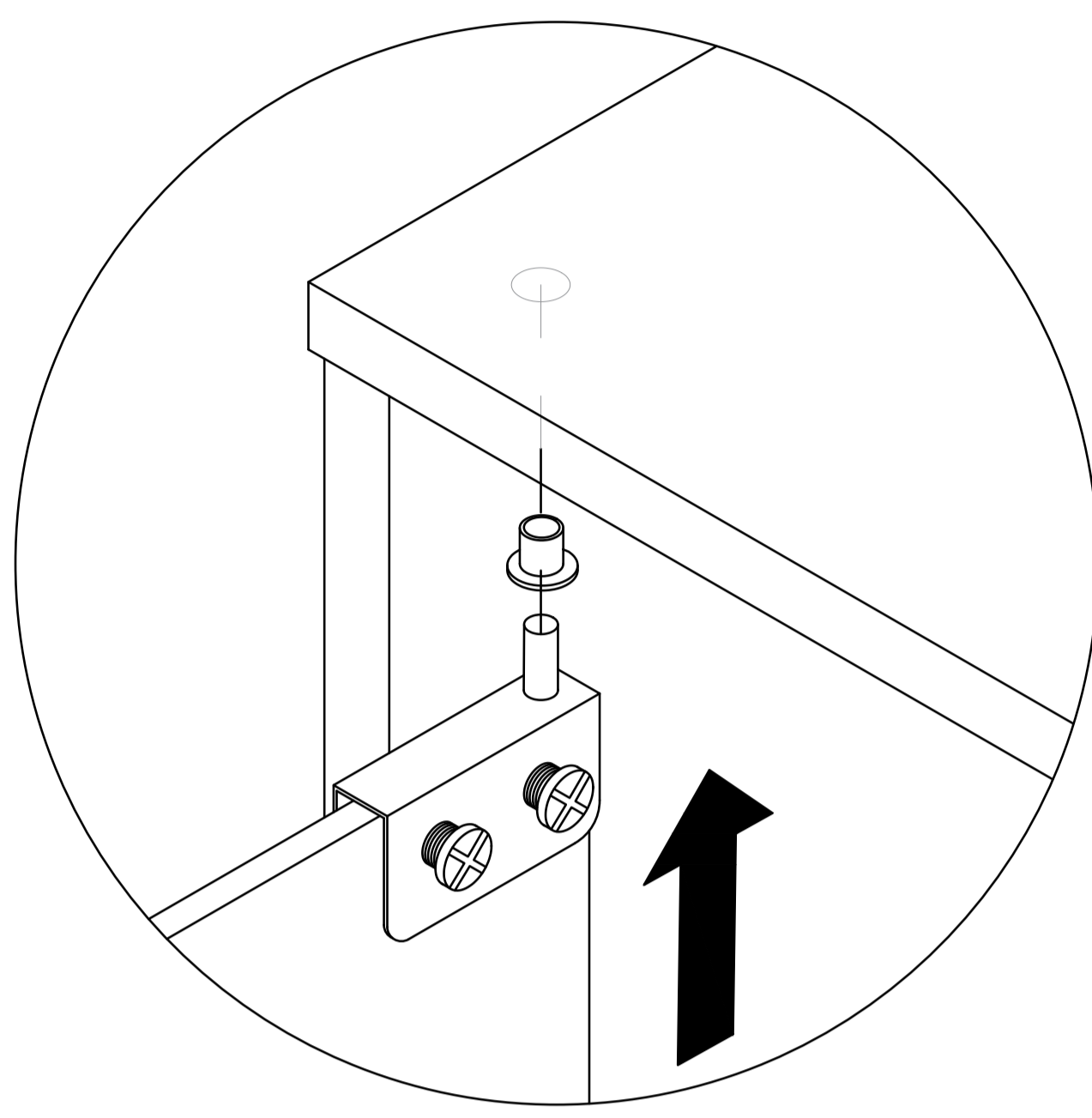


x2

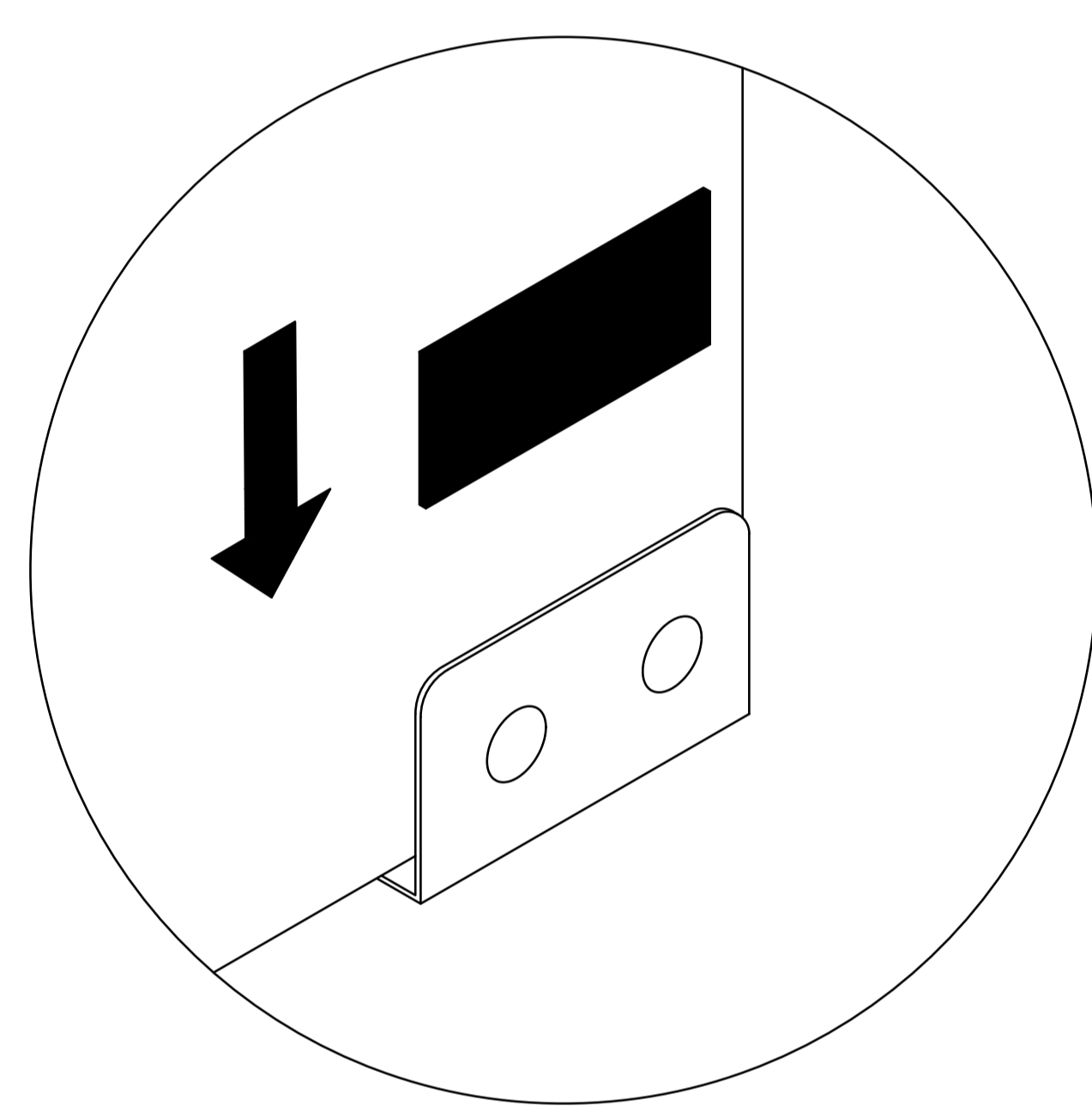
Step 37

Pay attention to the direction of the door hinge during installation

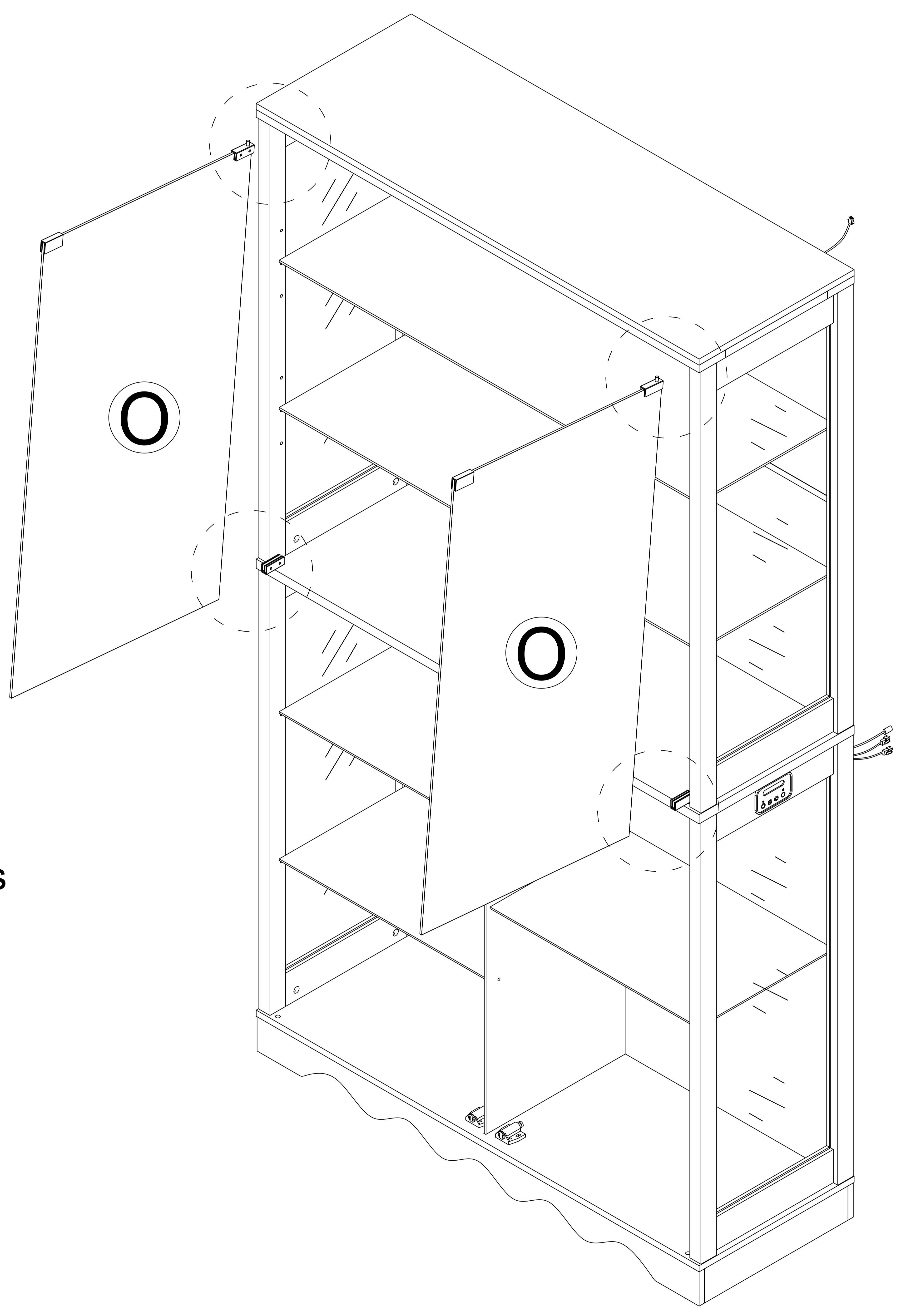
When installing a glass door, it is recommended to have two people install it to avoid the glass door colliding or hitting oneself.



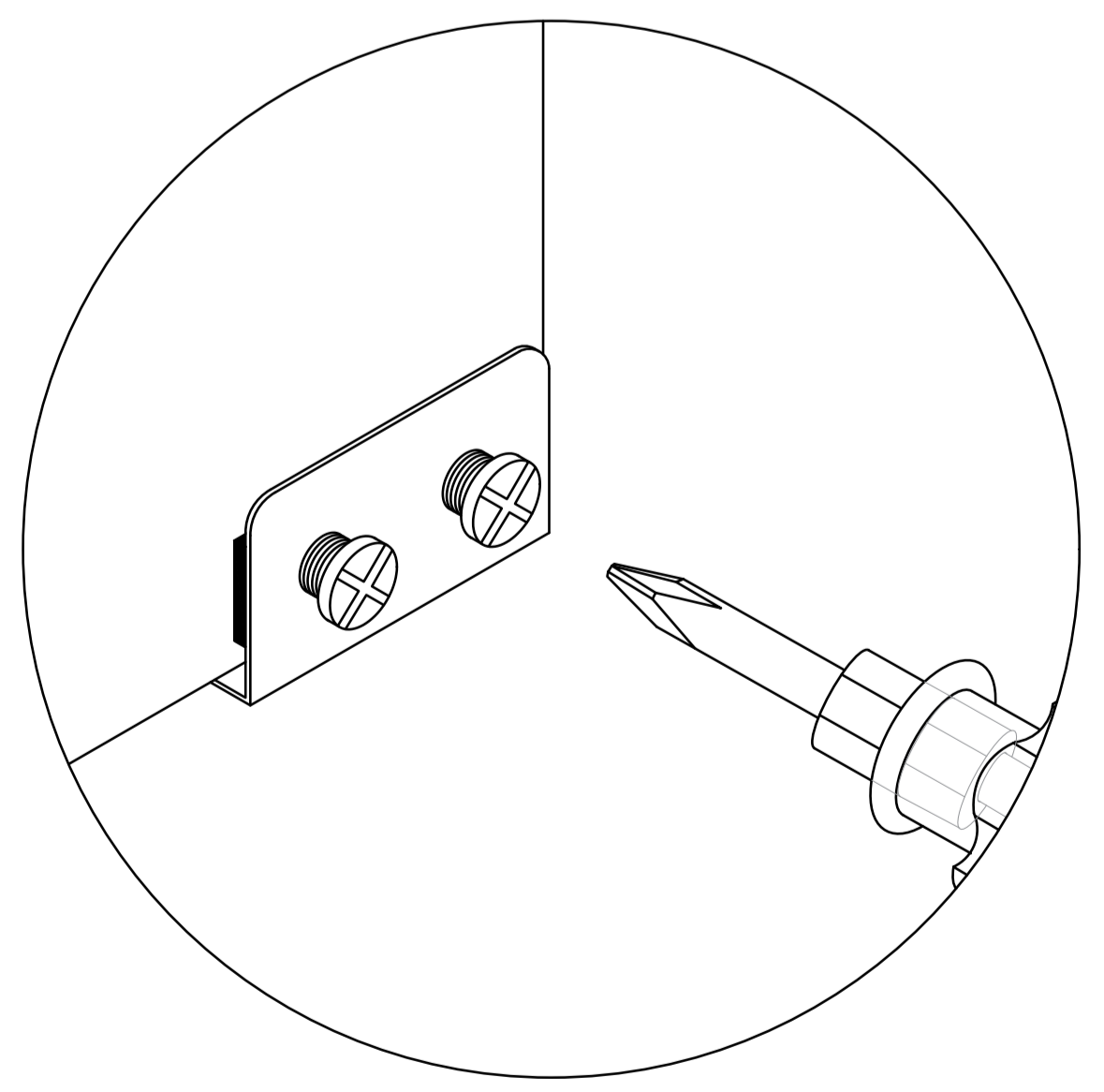
first



second



After installing the glass door, place the black gasket on the side where the screws are installed

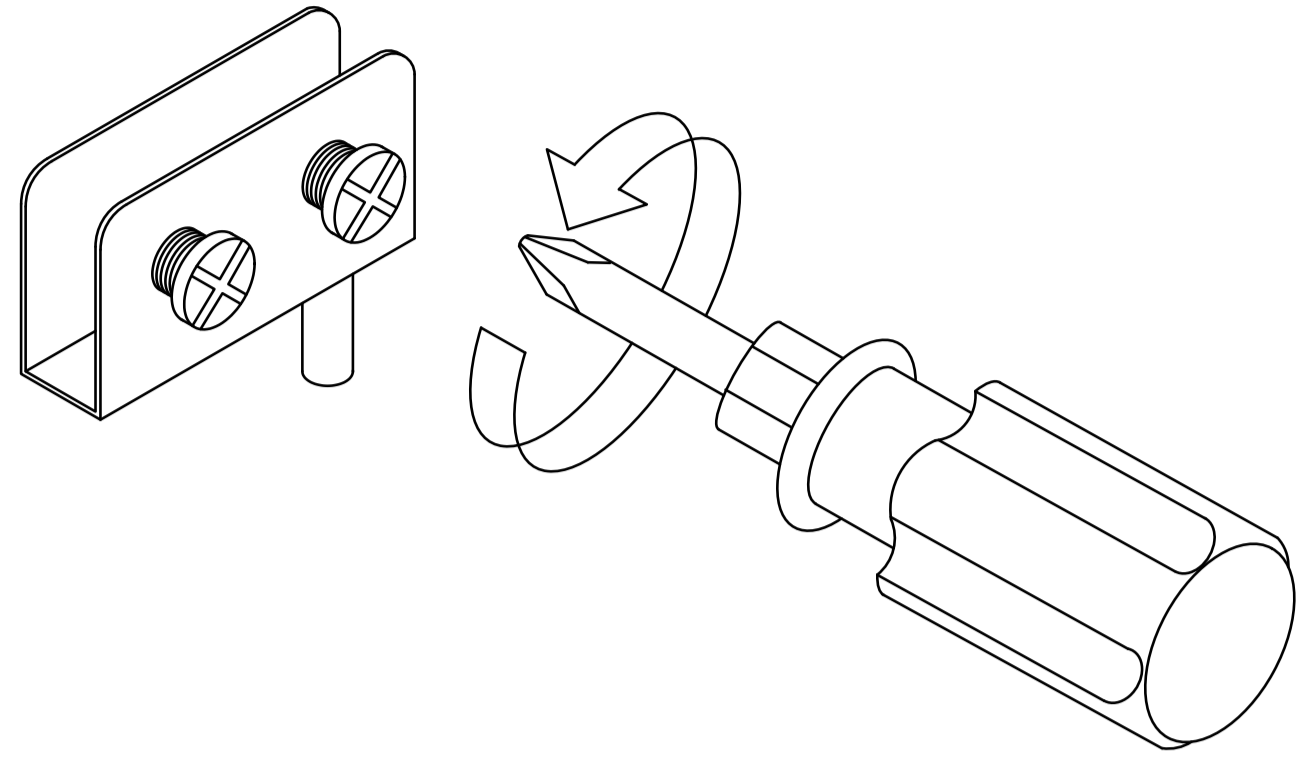


third

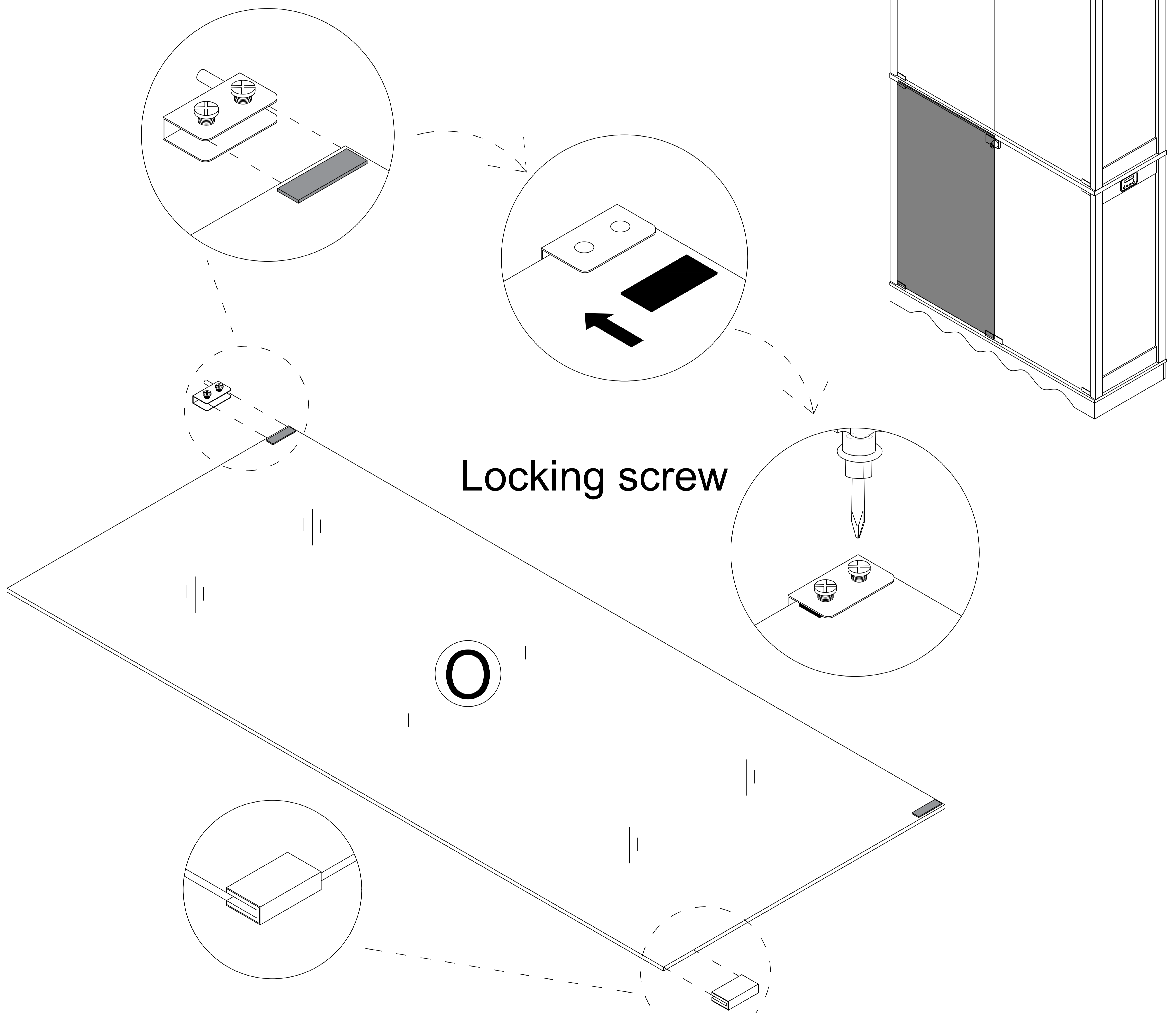
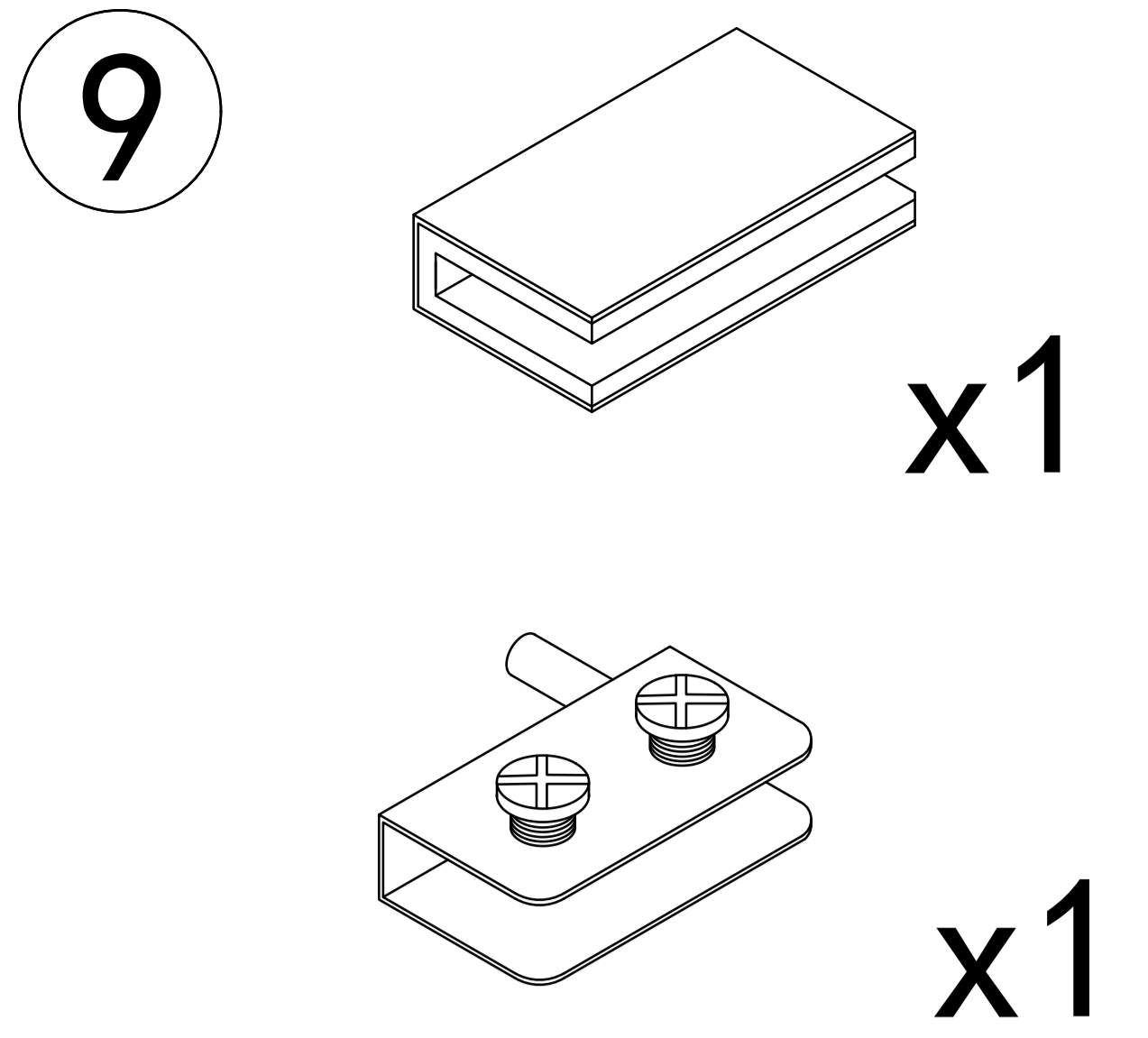
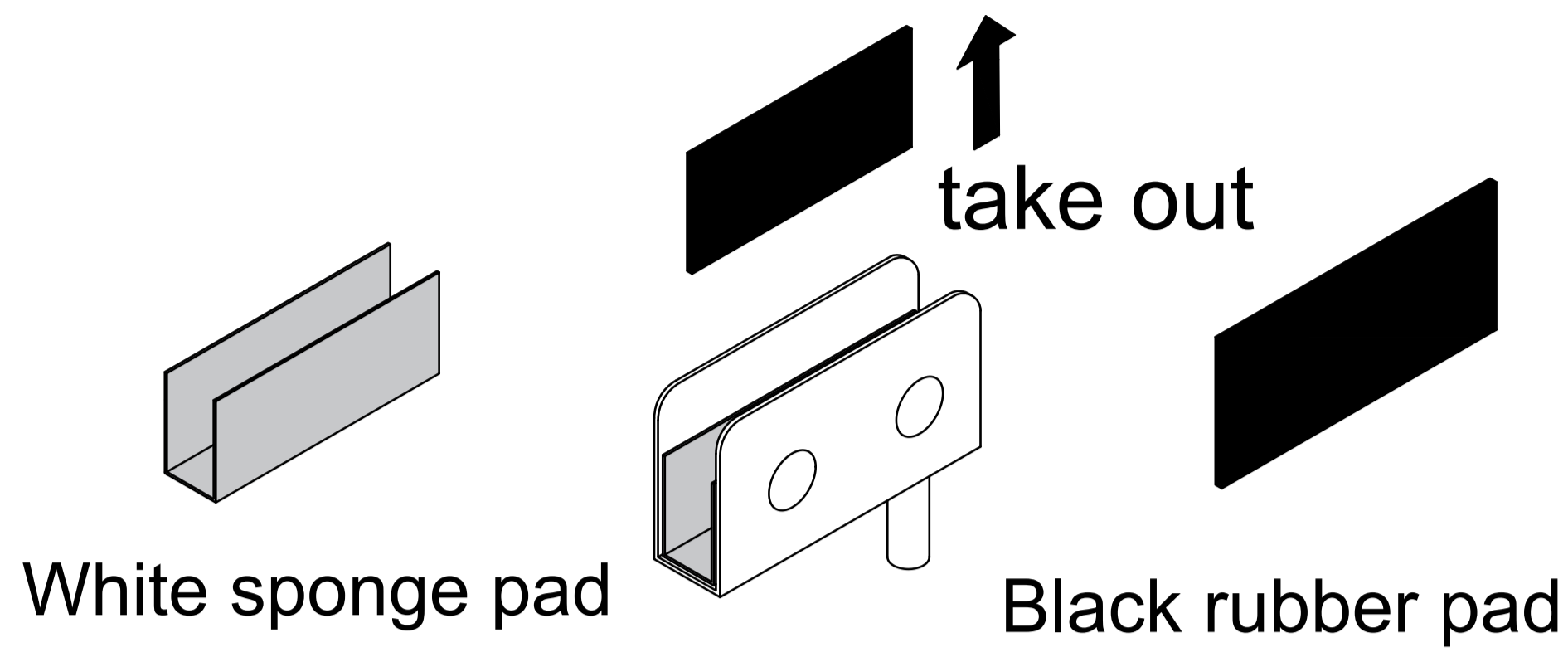
Locking screw

Step 38

First, completely unscrew the screws on the parts



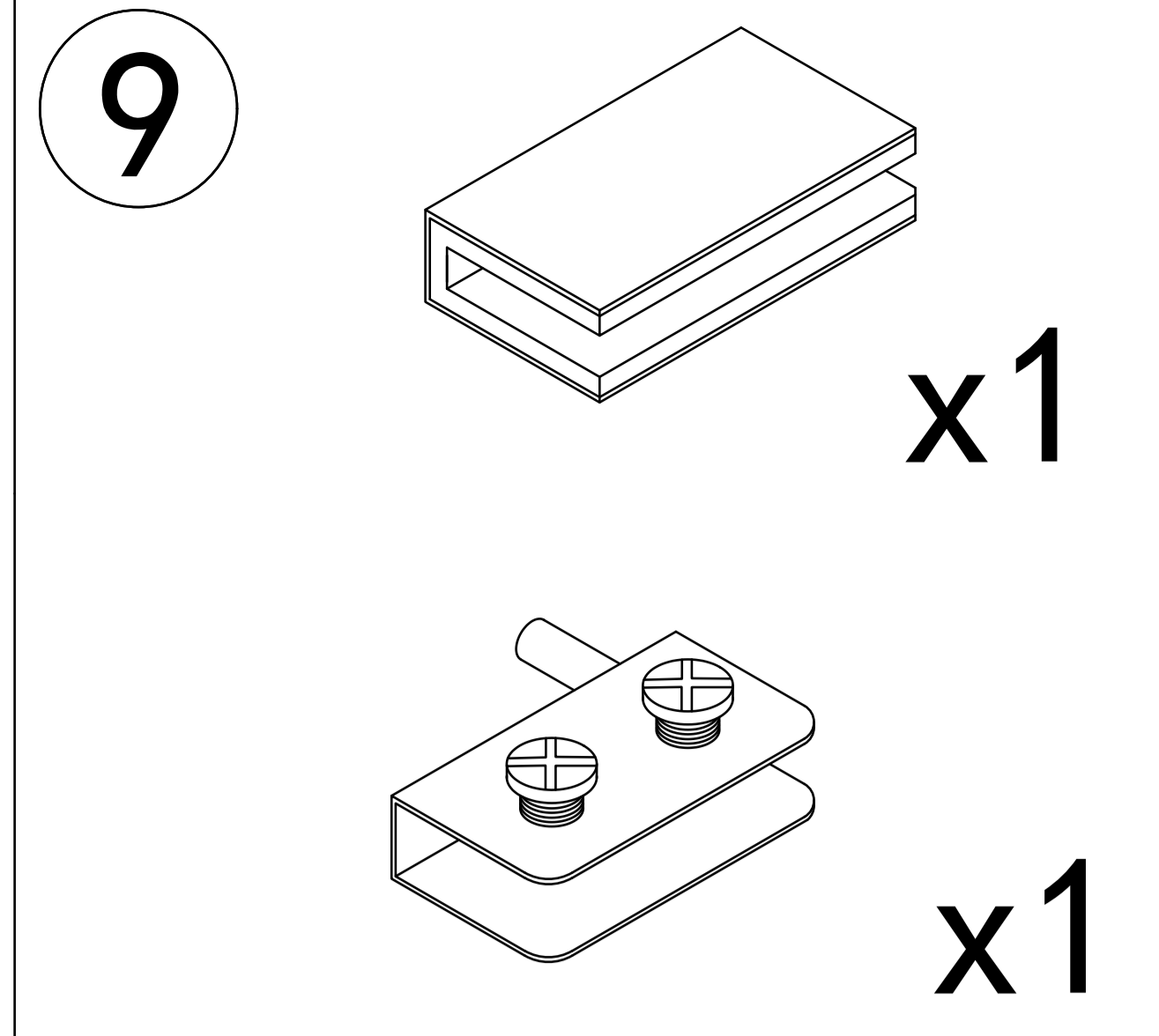
Then take out the black rubber pad from the inside of the part, and the white sponge remains unchanged inside the part.



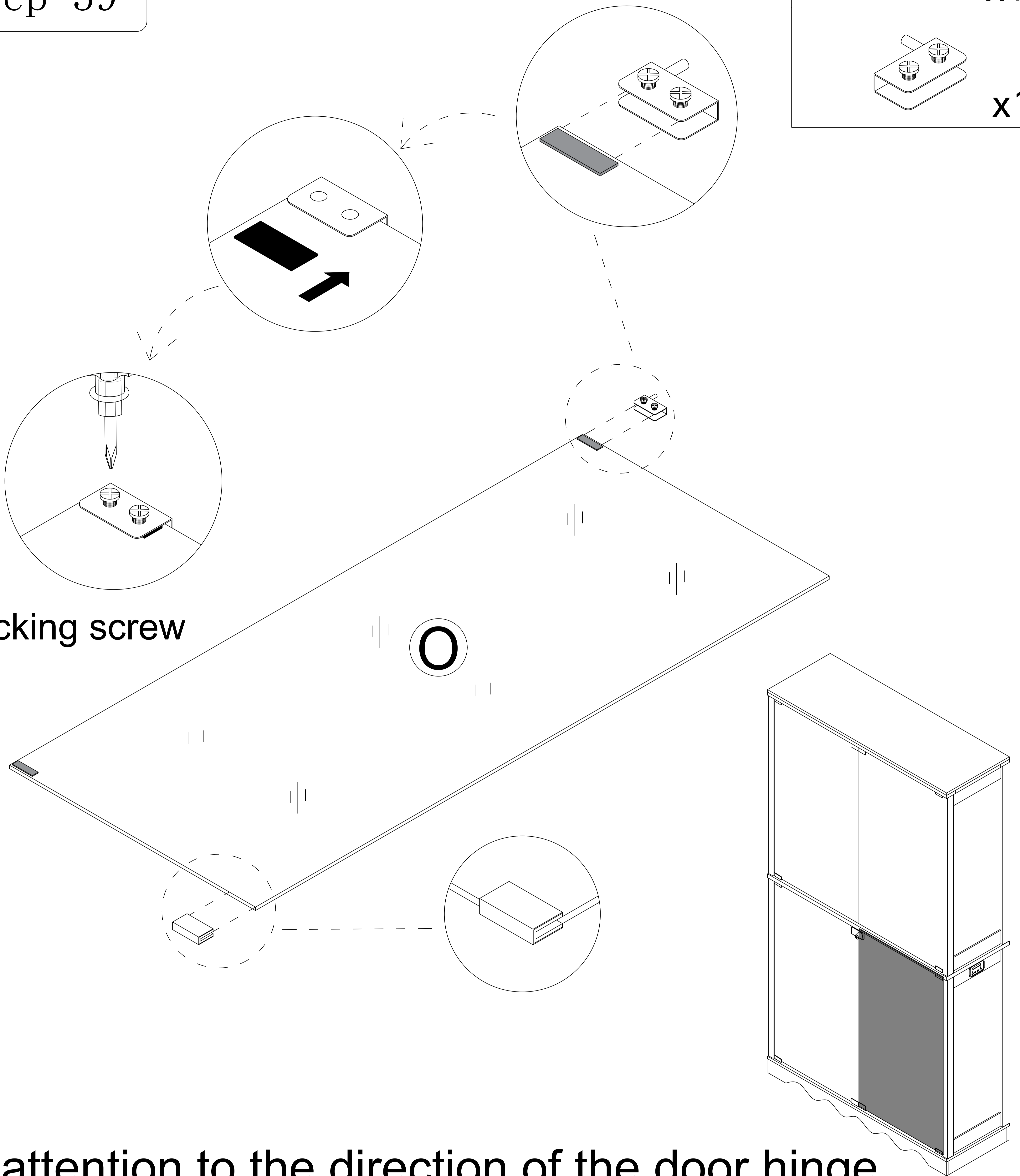
Pay attention to the direction of the door hinge, rotate the screws to compress the black gasket, and do not place it in the opposite direction

Place the black gasket on the side where the screws are installed

Step 39



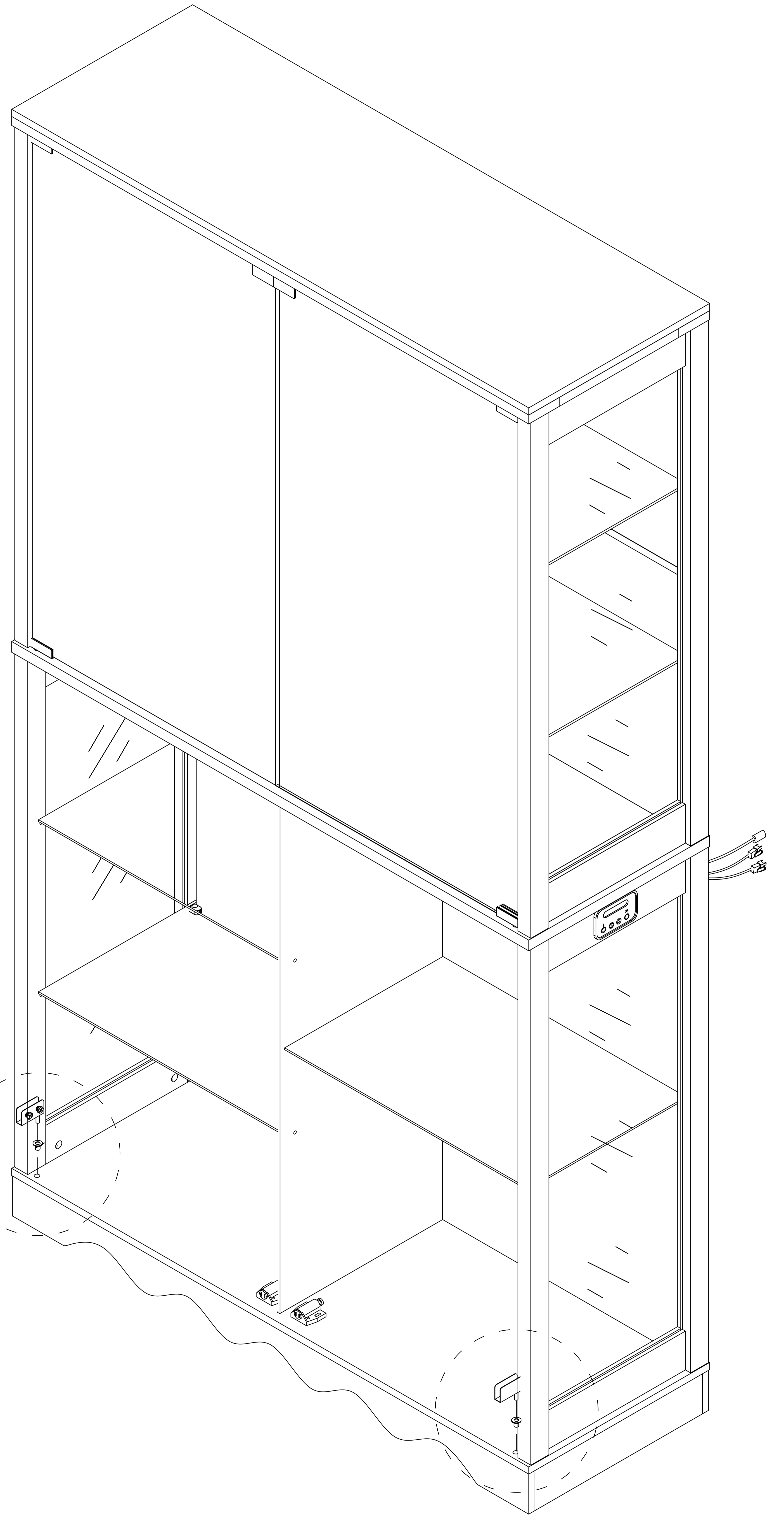
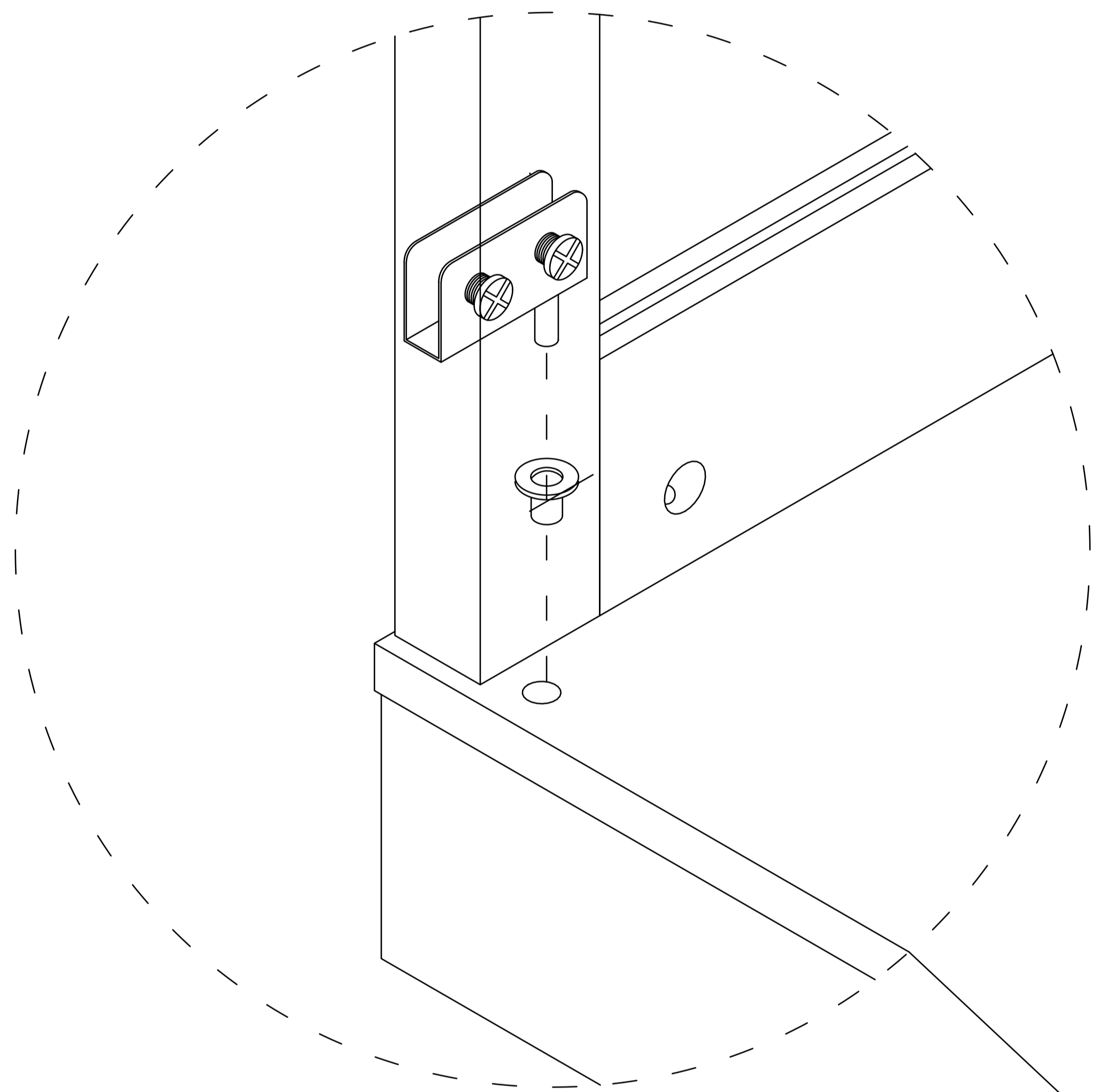
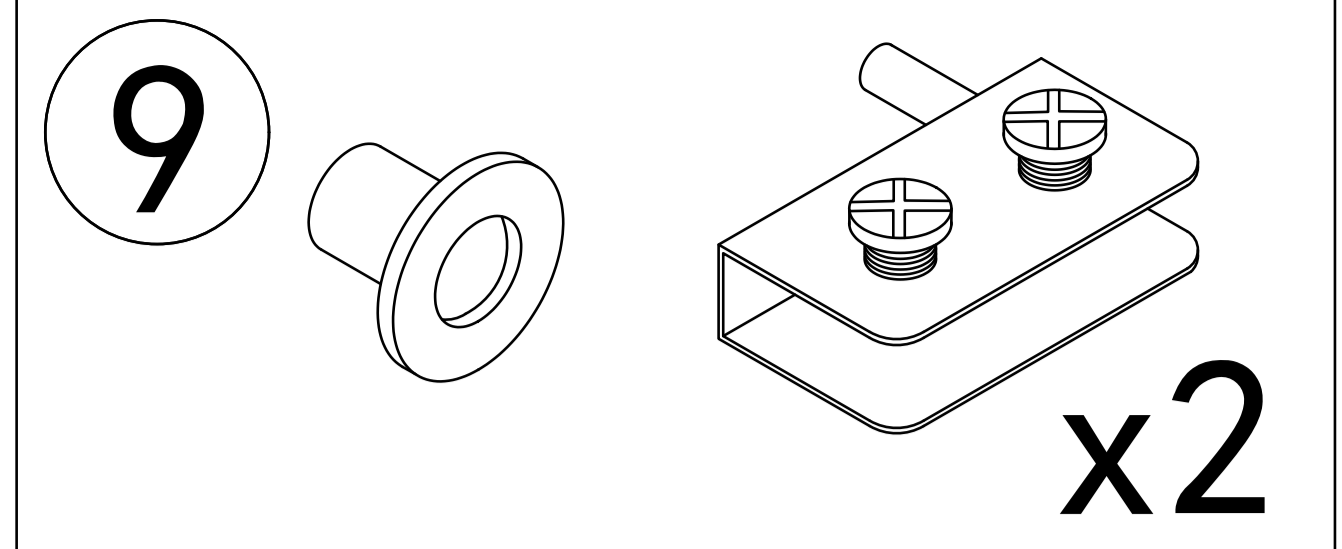
Locking screw



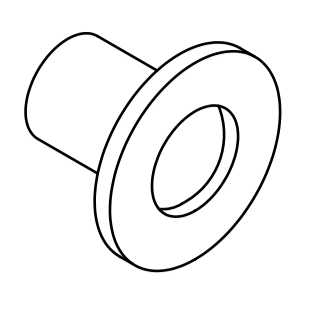
Pay attention to the direction of the door hinge, rotate the screws to compress the black gasket, and do not place it in the opposite direction

Place the black gasket on the side where the screws are installed

Step 40



9

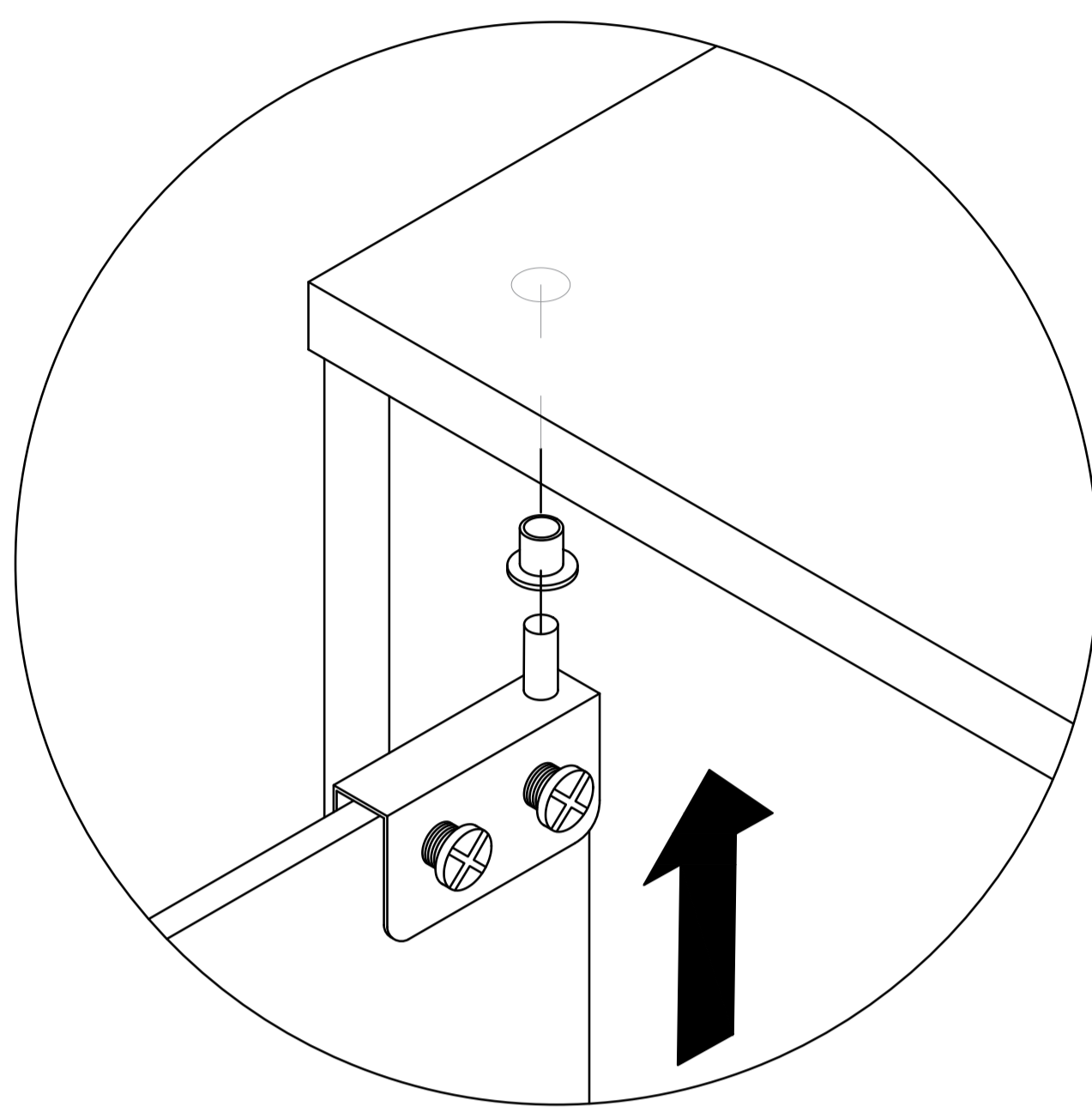


x2

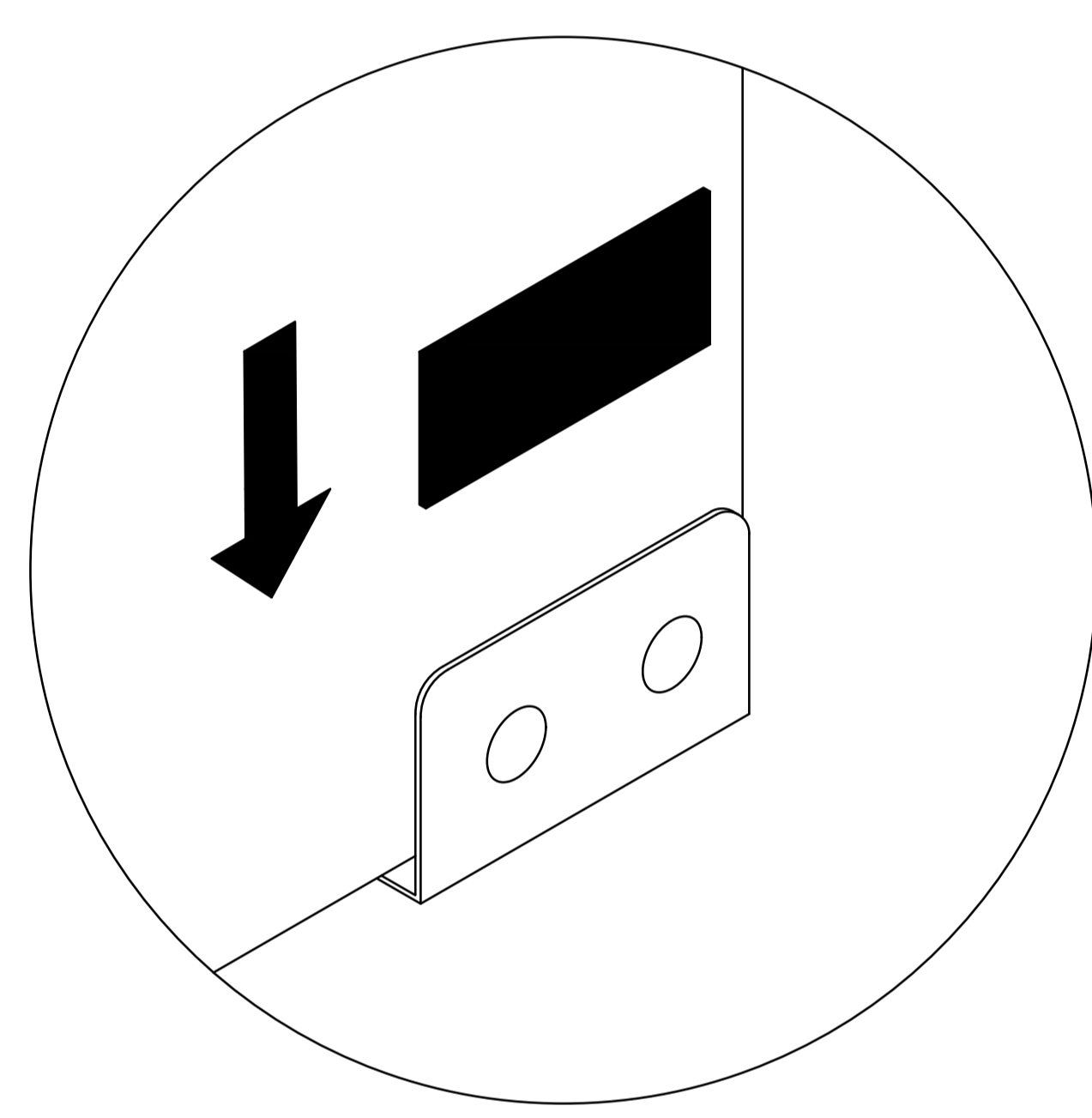
Step 41

Pay attention to the direction of the door hinge during installation

When installing a glass door, it is recommended to have two people install it to avoid the glass door colliding or hitting oneself.

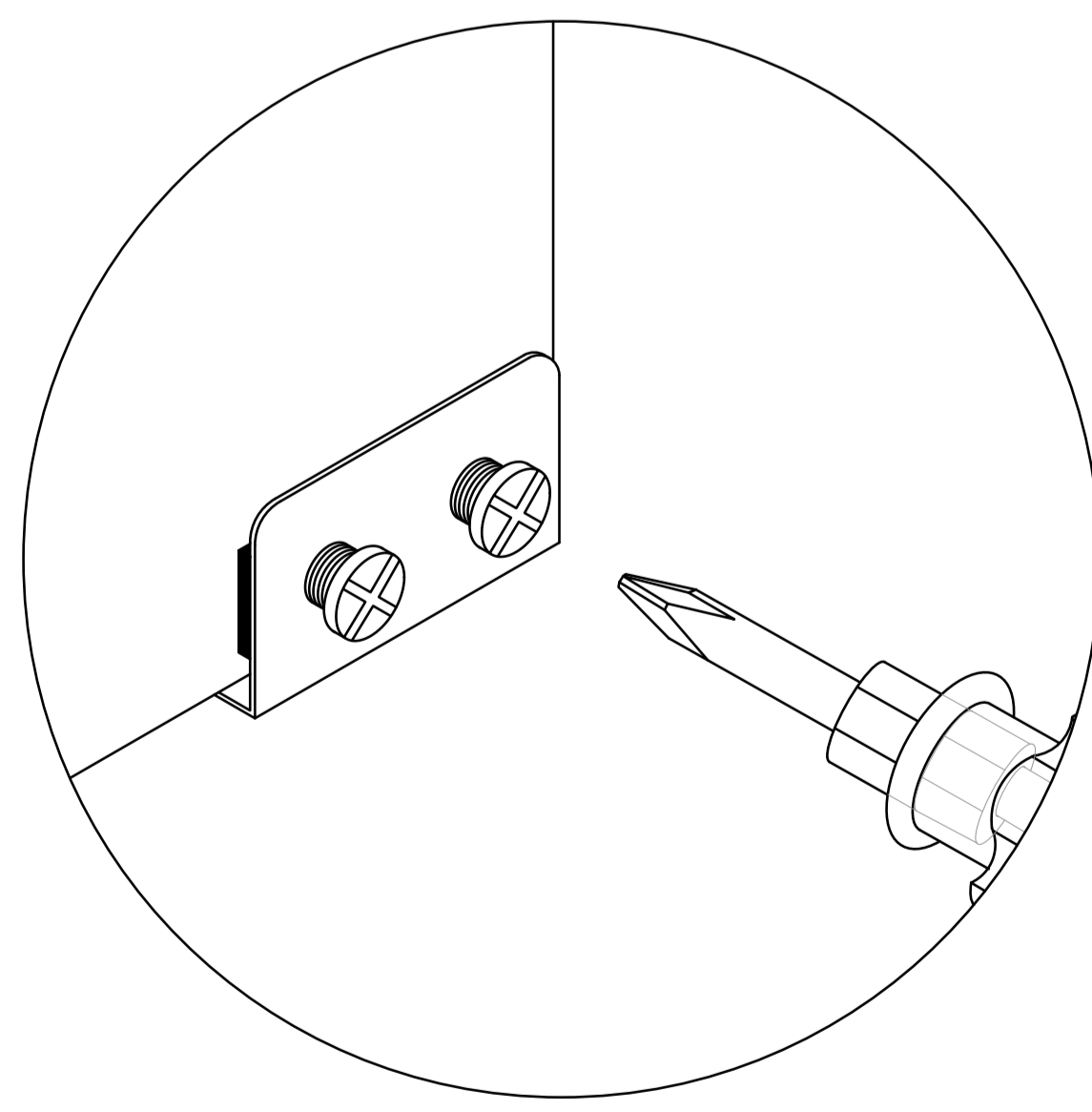


first



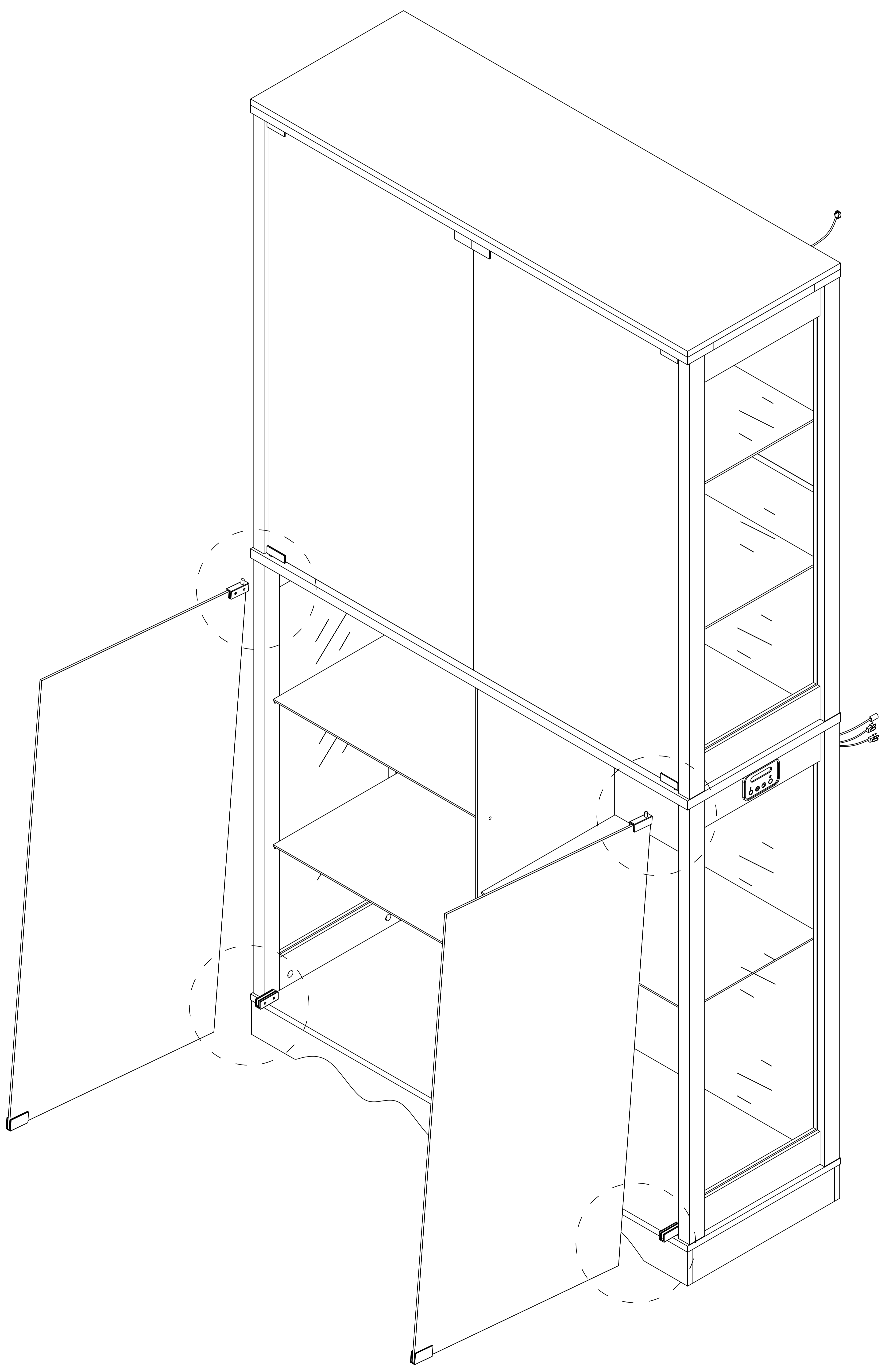
second

After installing the glass door, place the black gasket on the side where the screws are installed

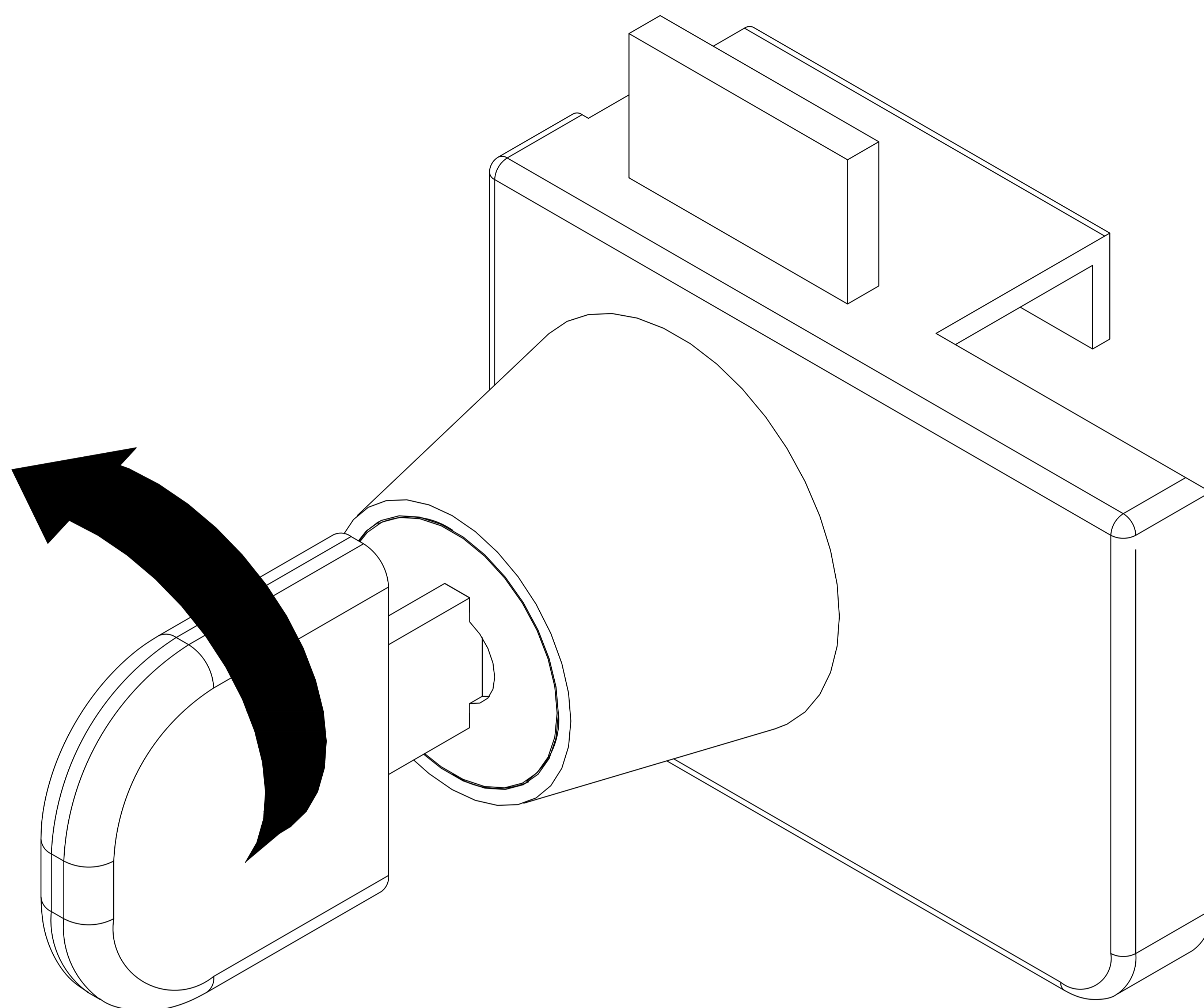


third

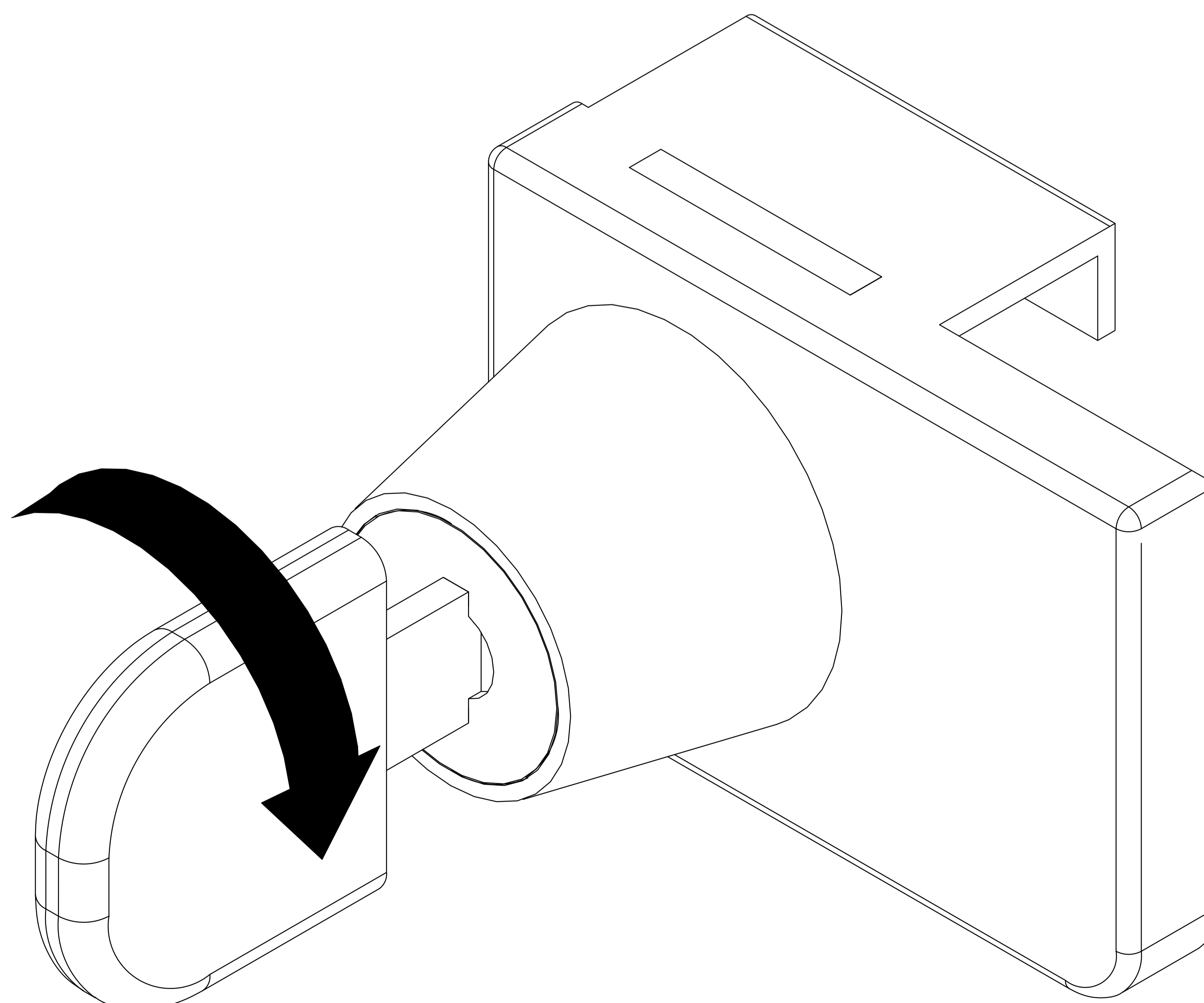
Locking screw



Tip: Turning the door lock to the right will close it

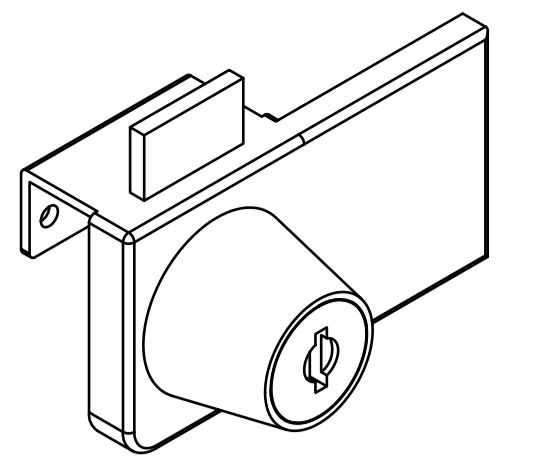


Tip: Turning the door lock to the left opens it



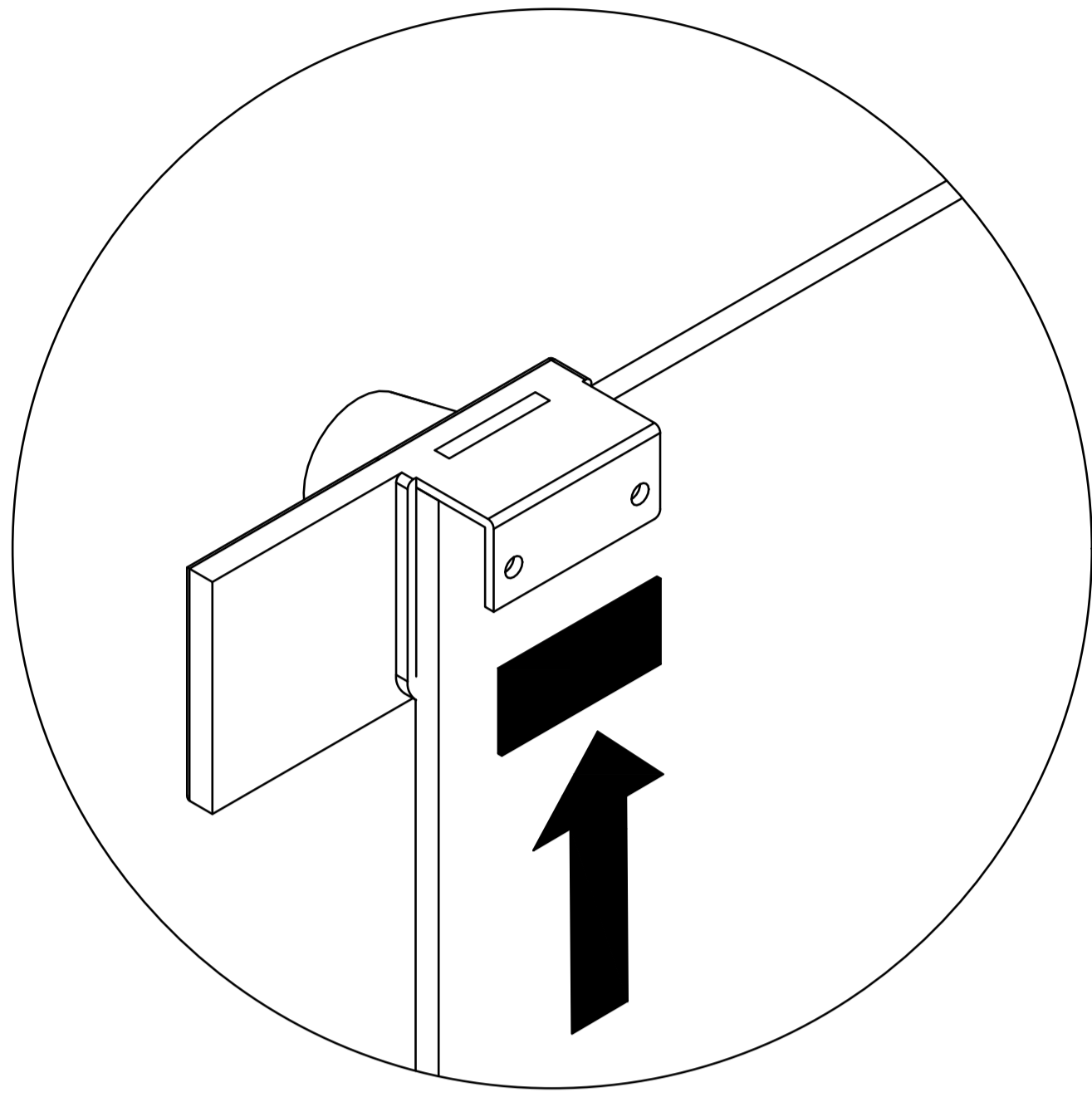
Step 42

12

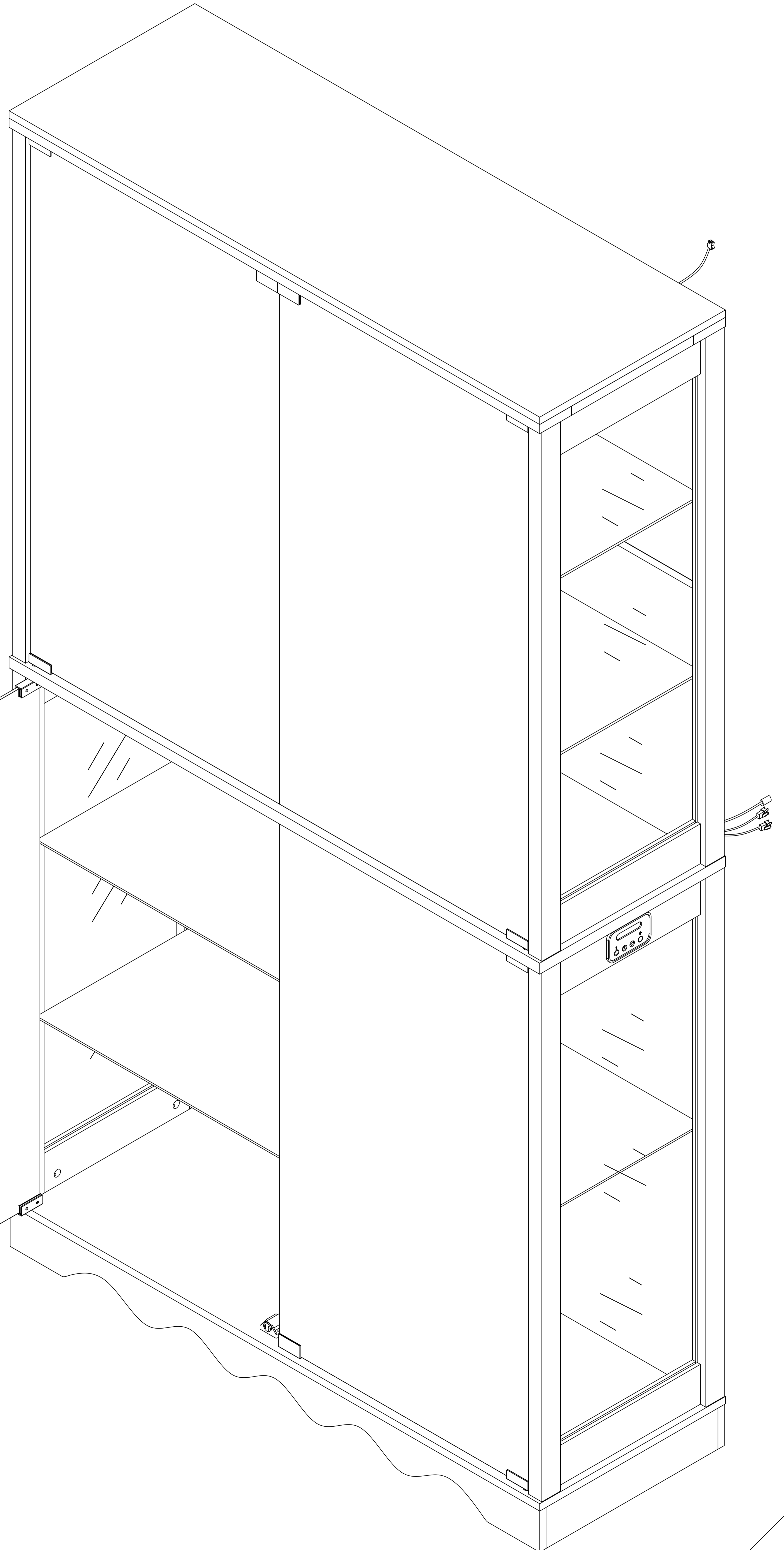
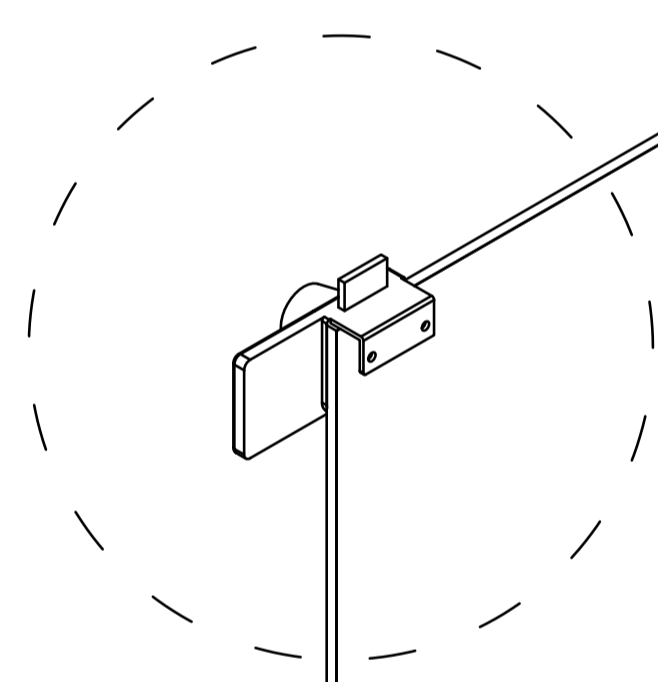
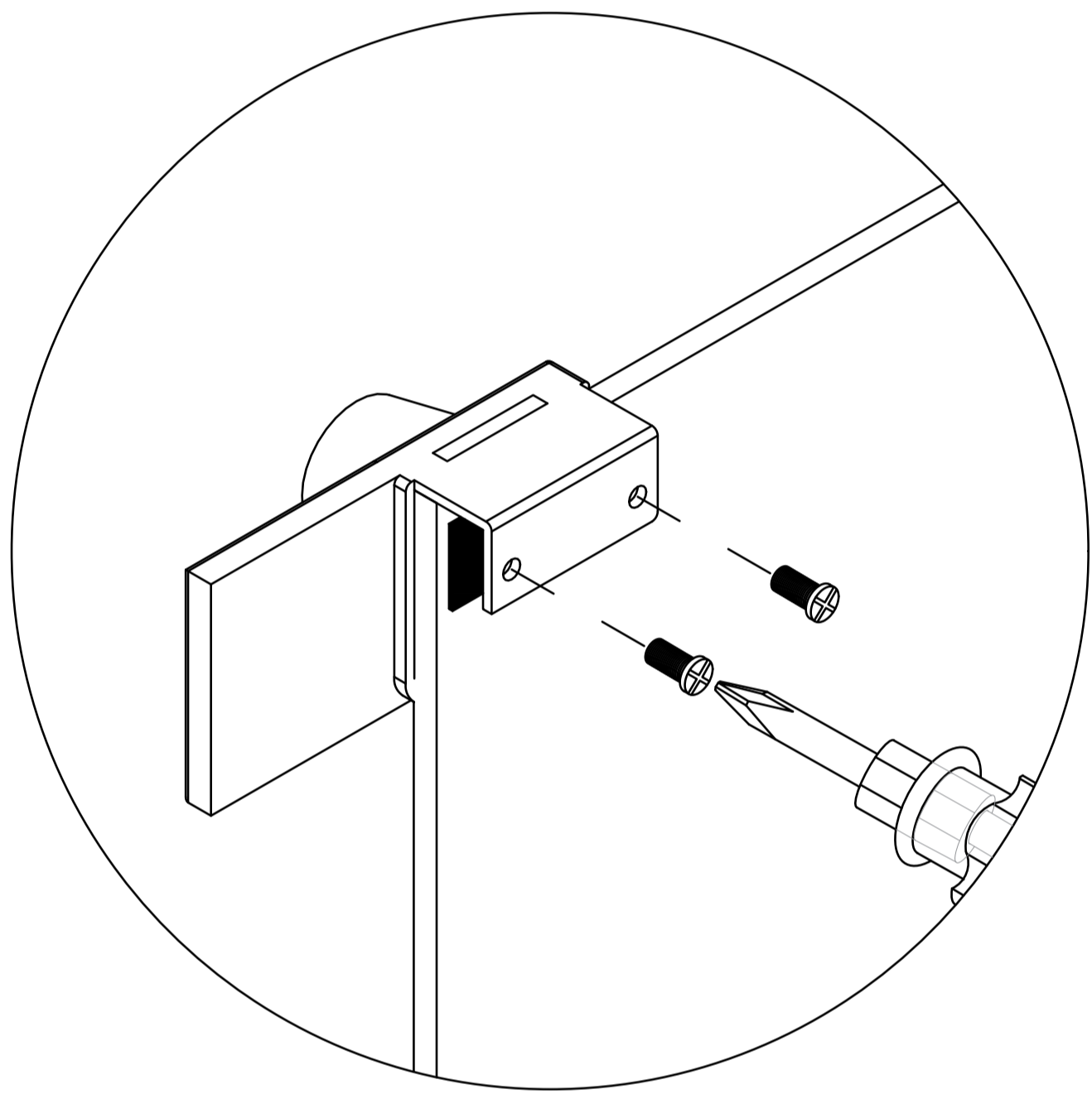


x1

first

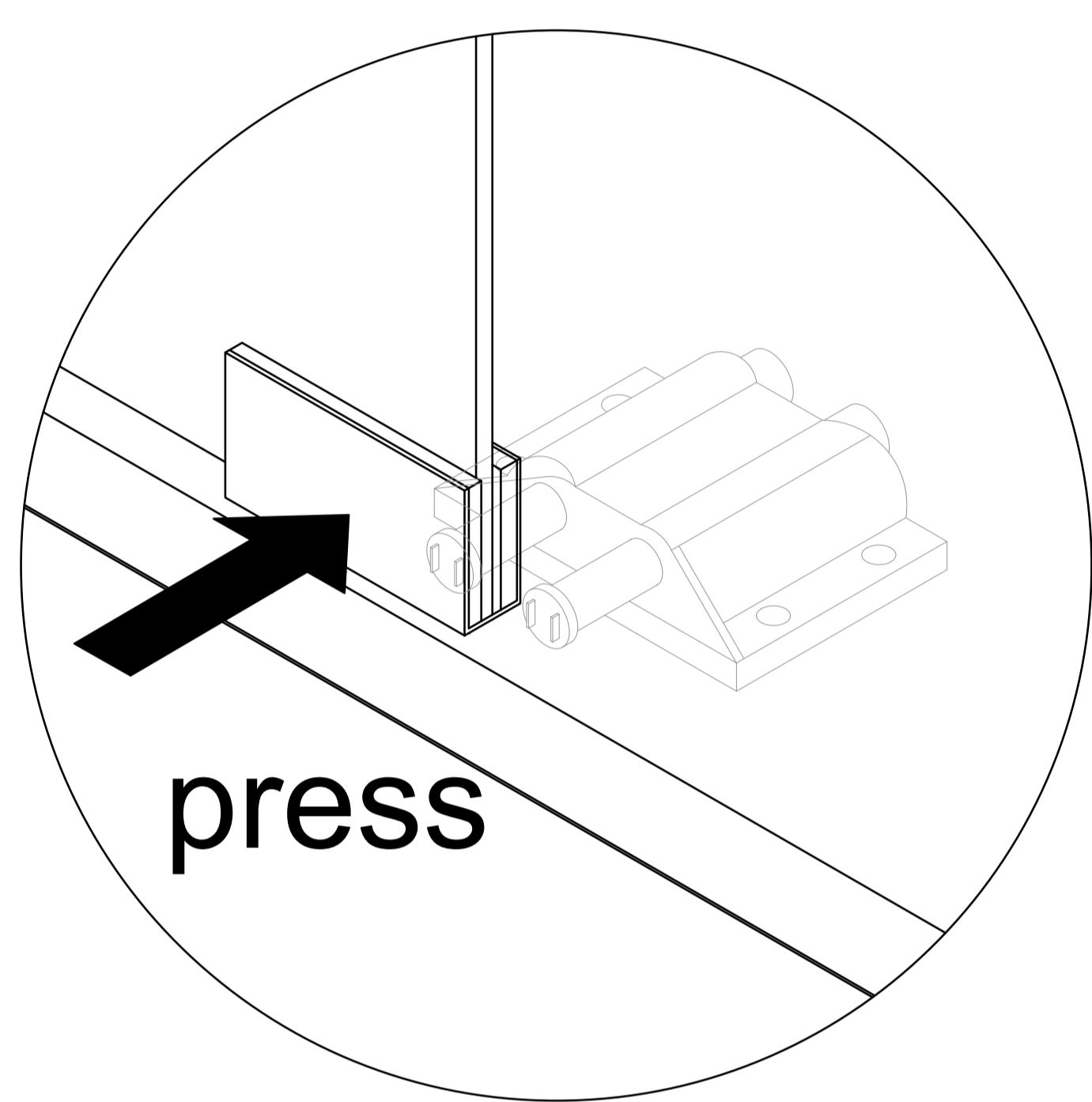


second

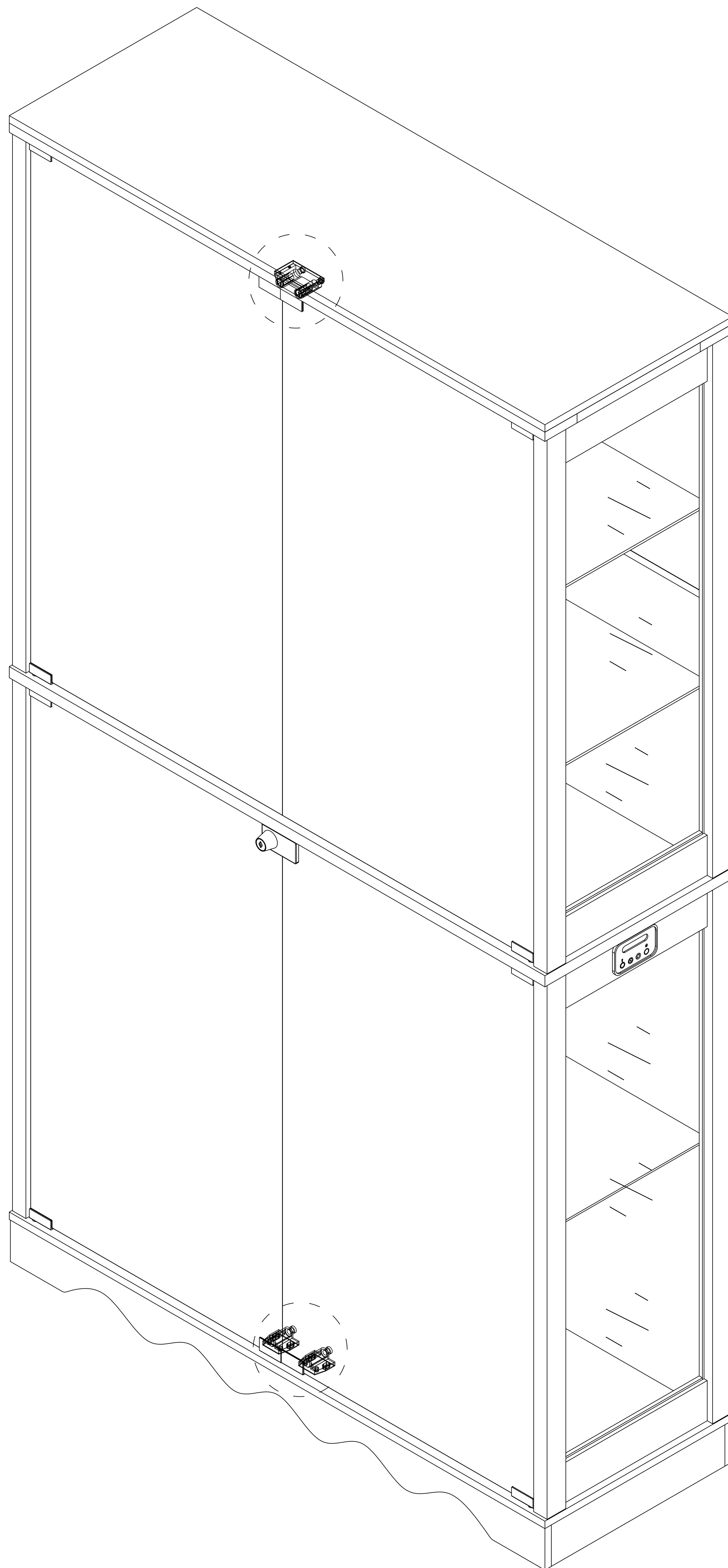
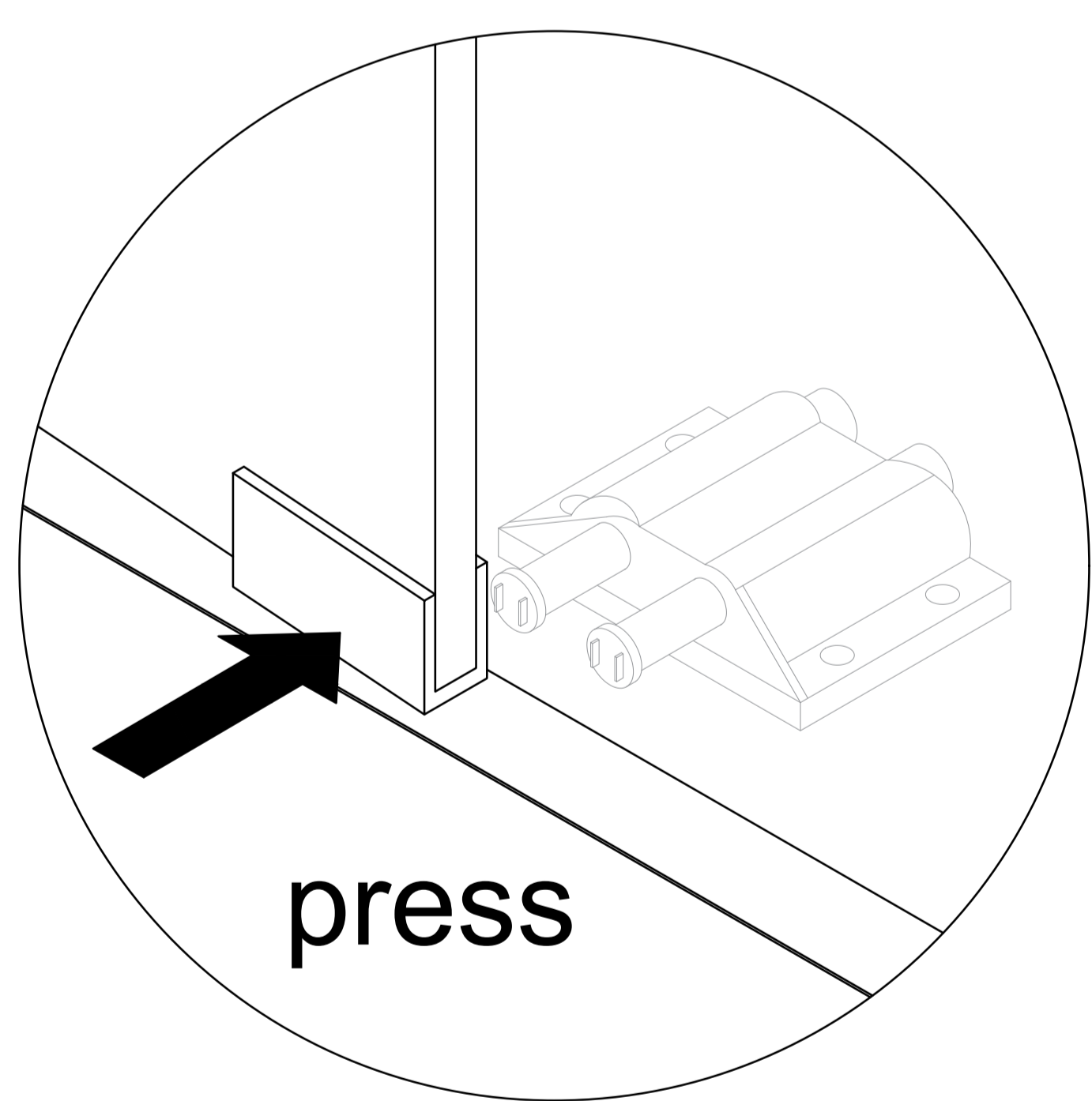


Step 43

Open the glass door

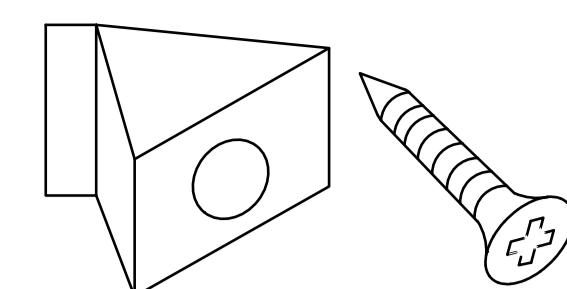


Close the glass door

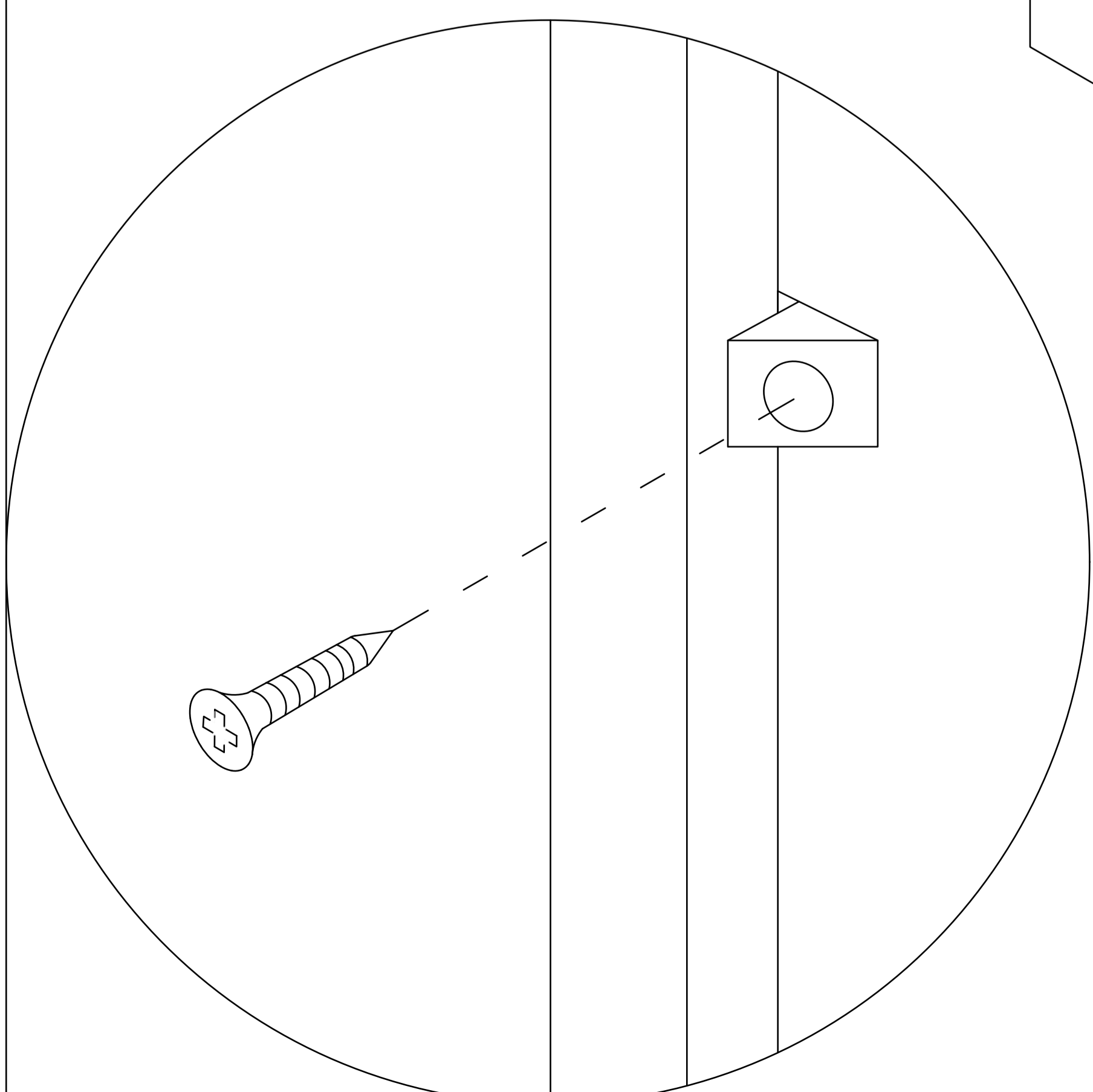
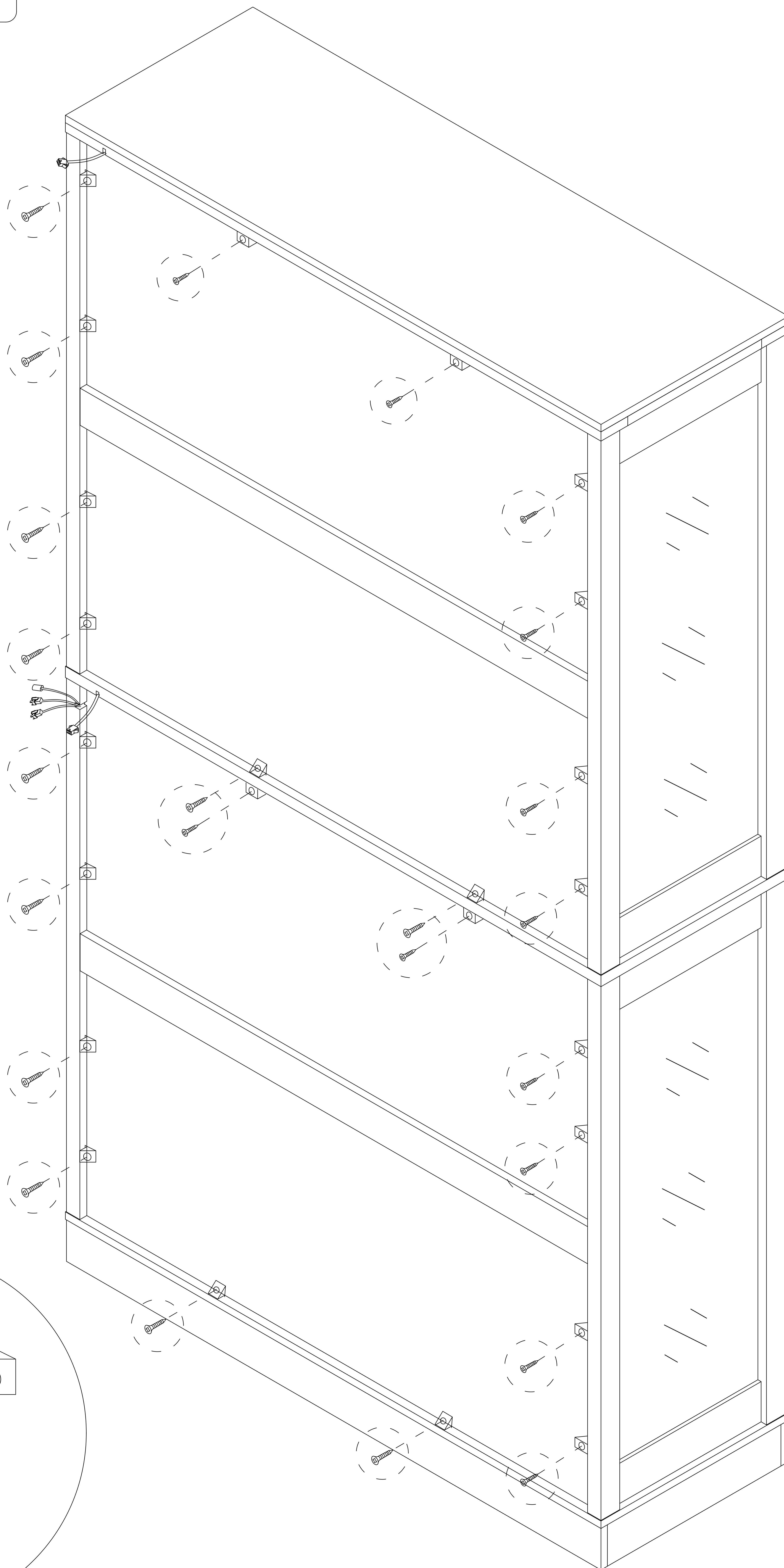


Step 44

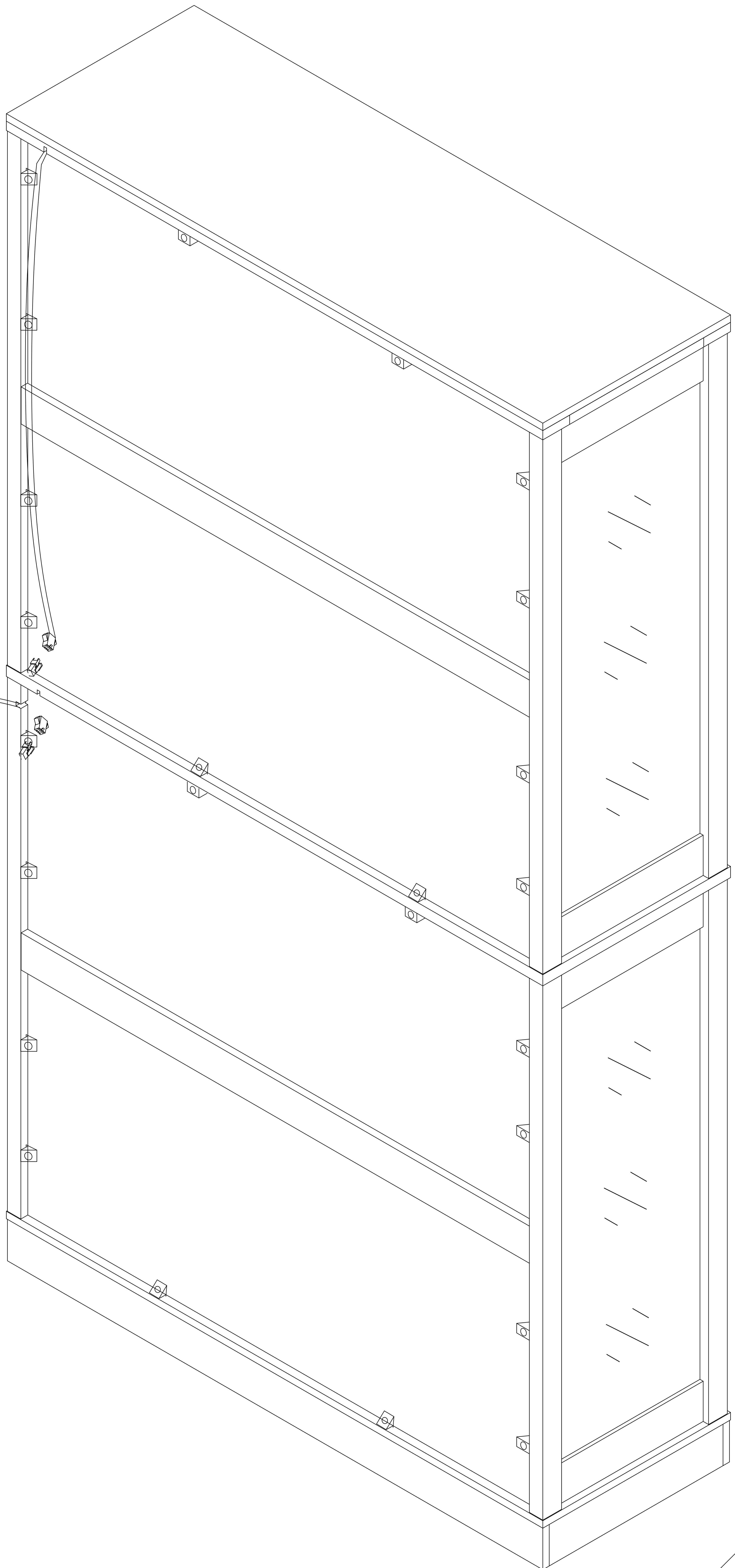
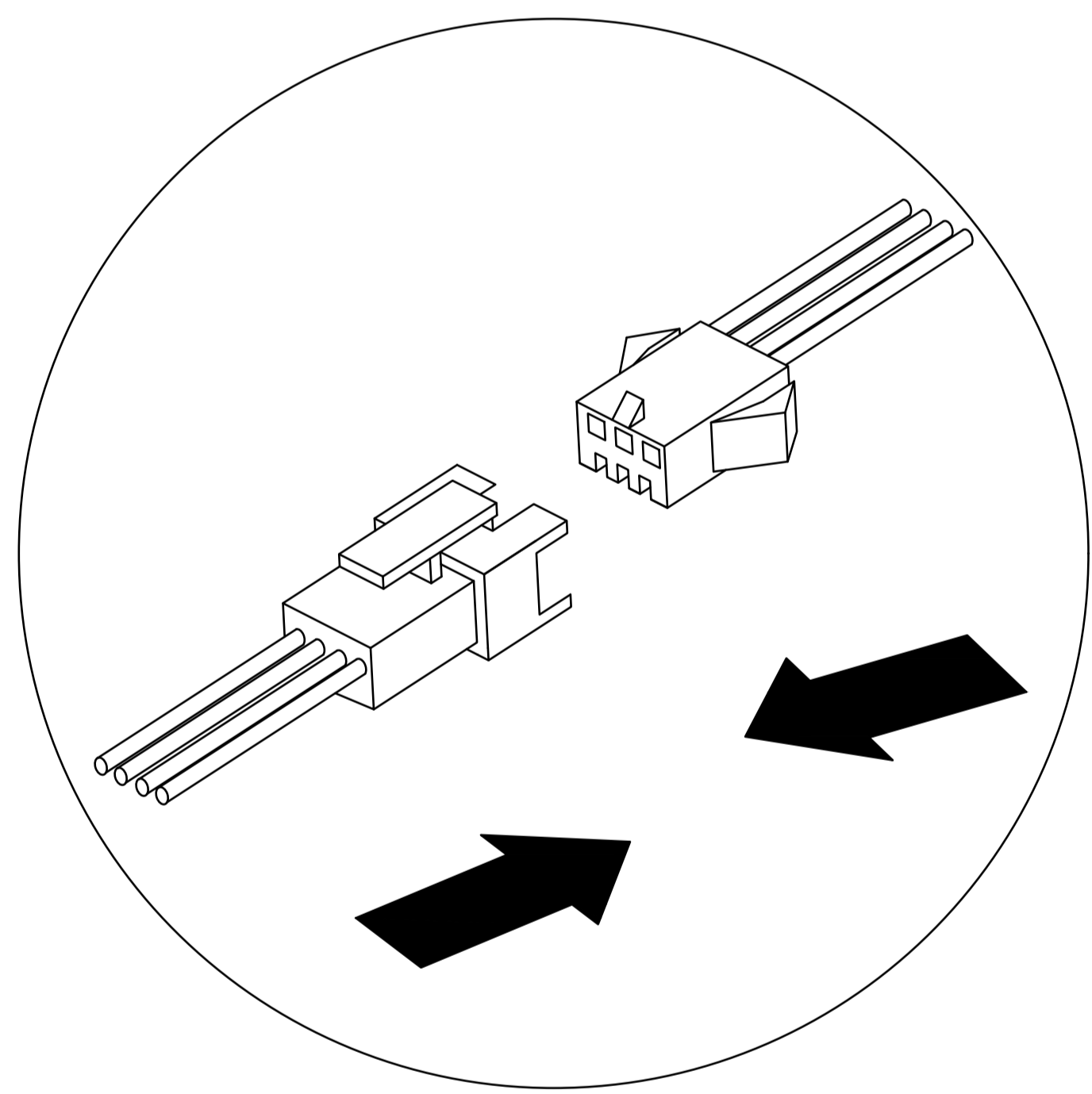
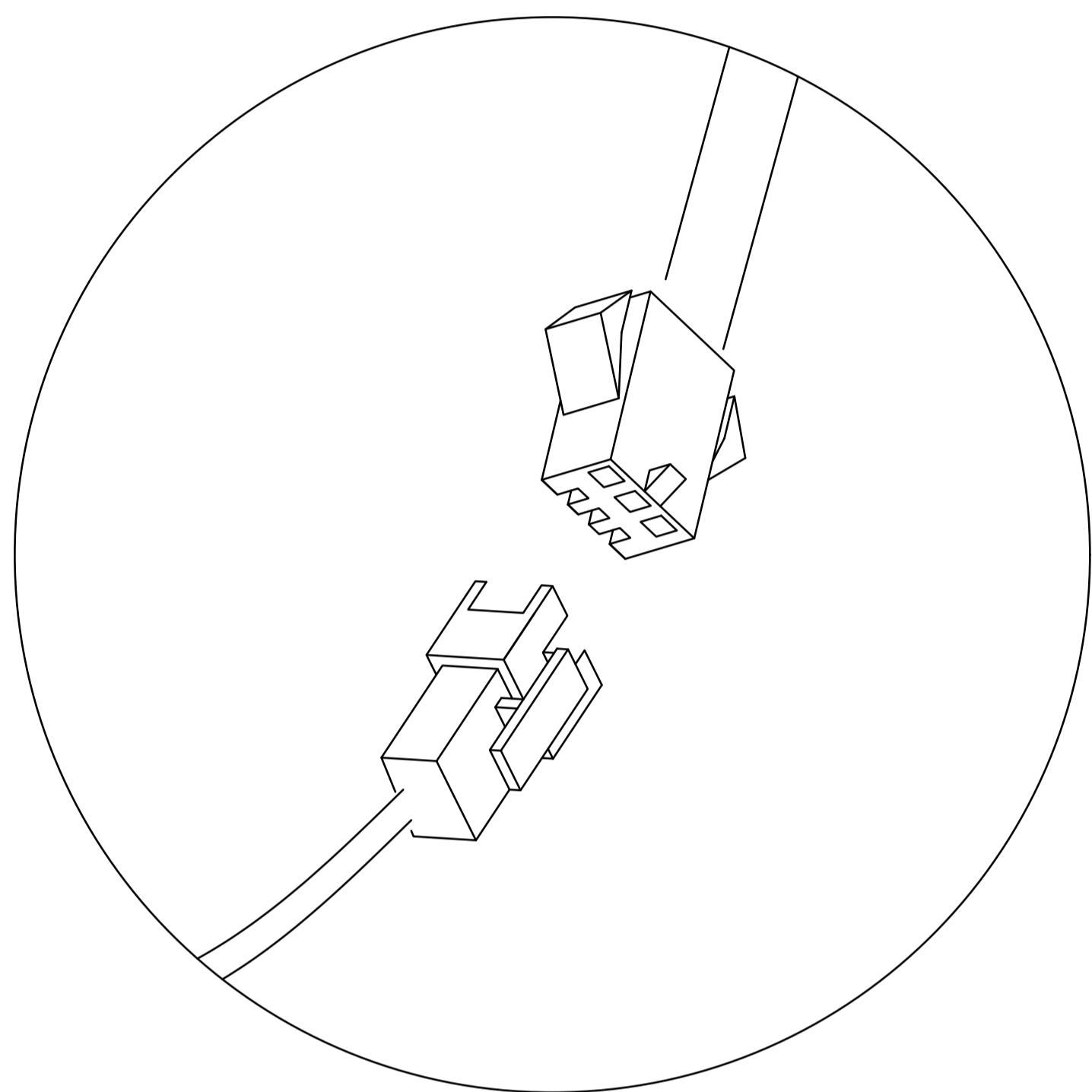
13

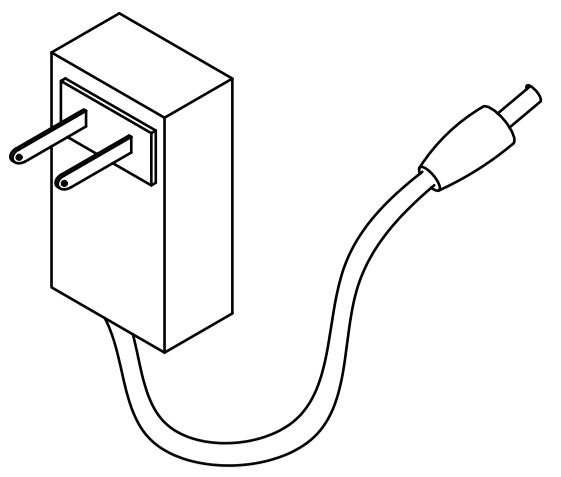


x24



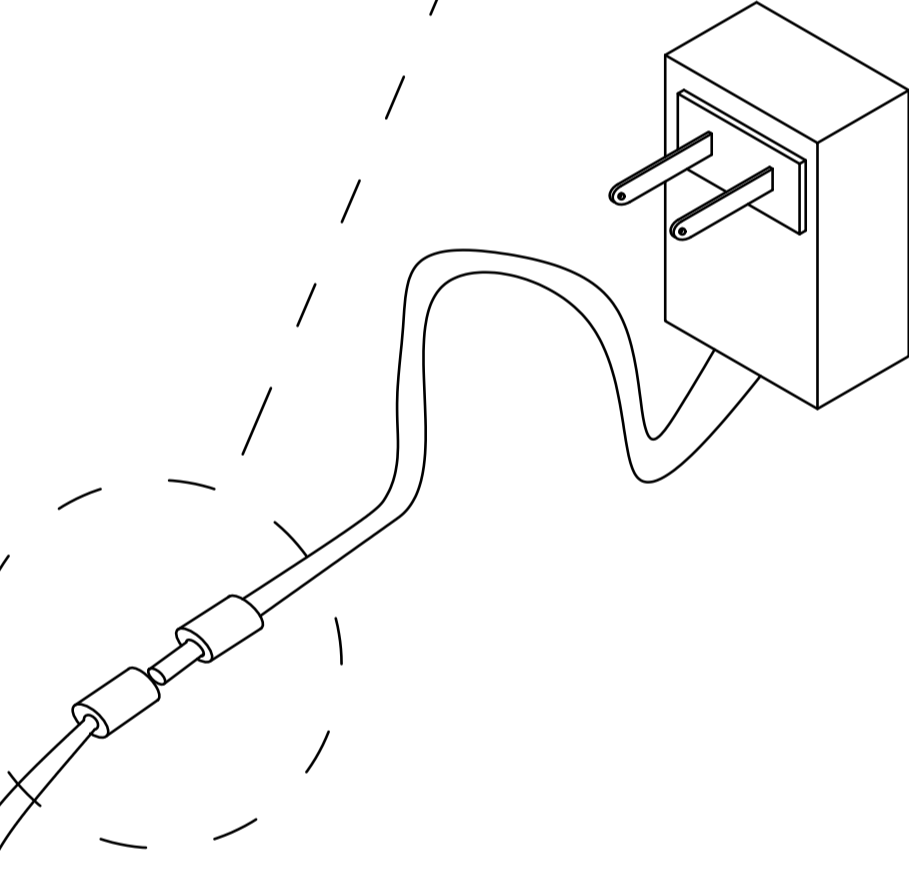
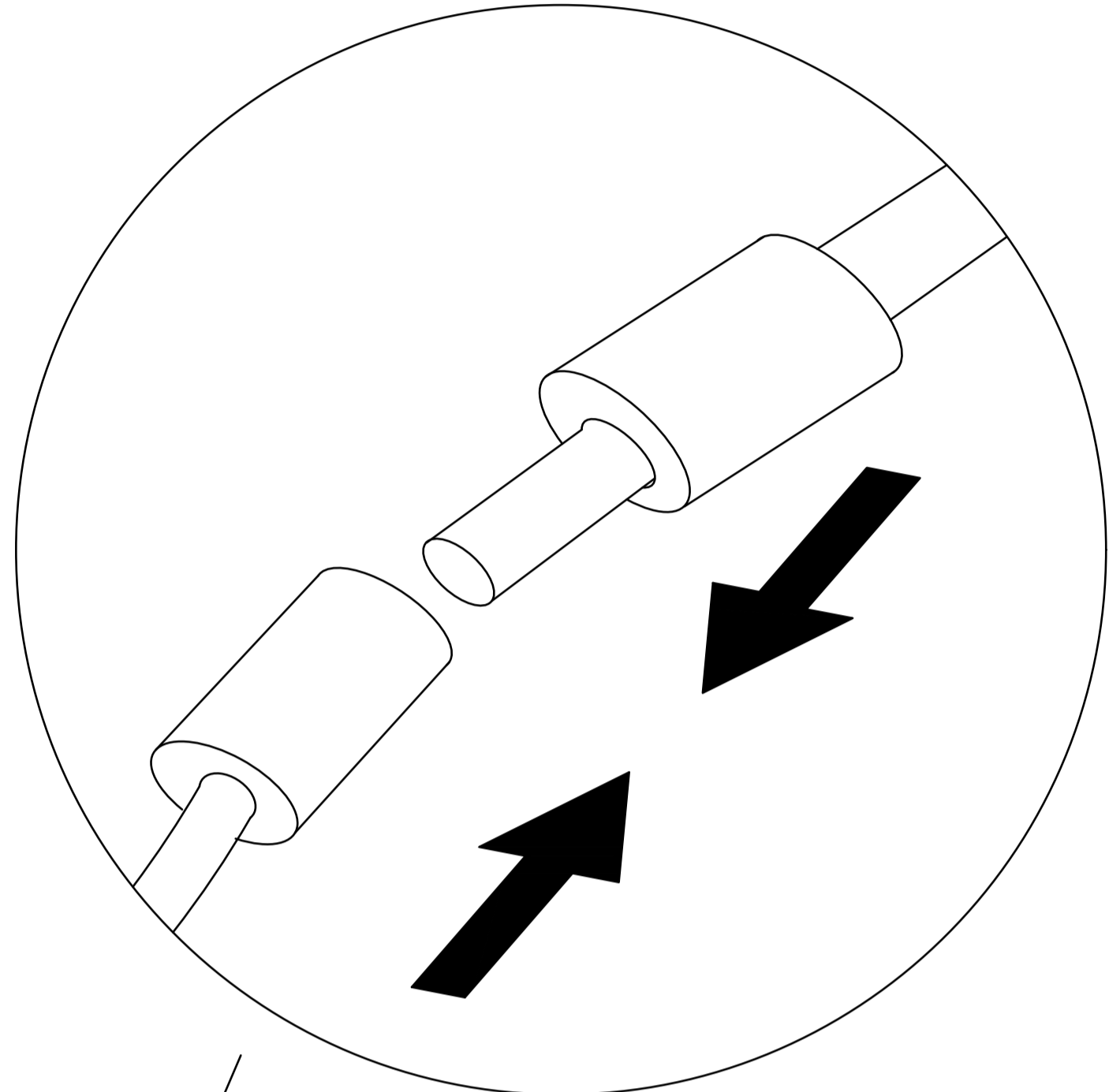
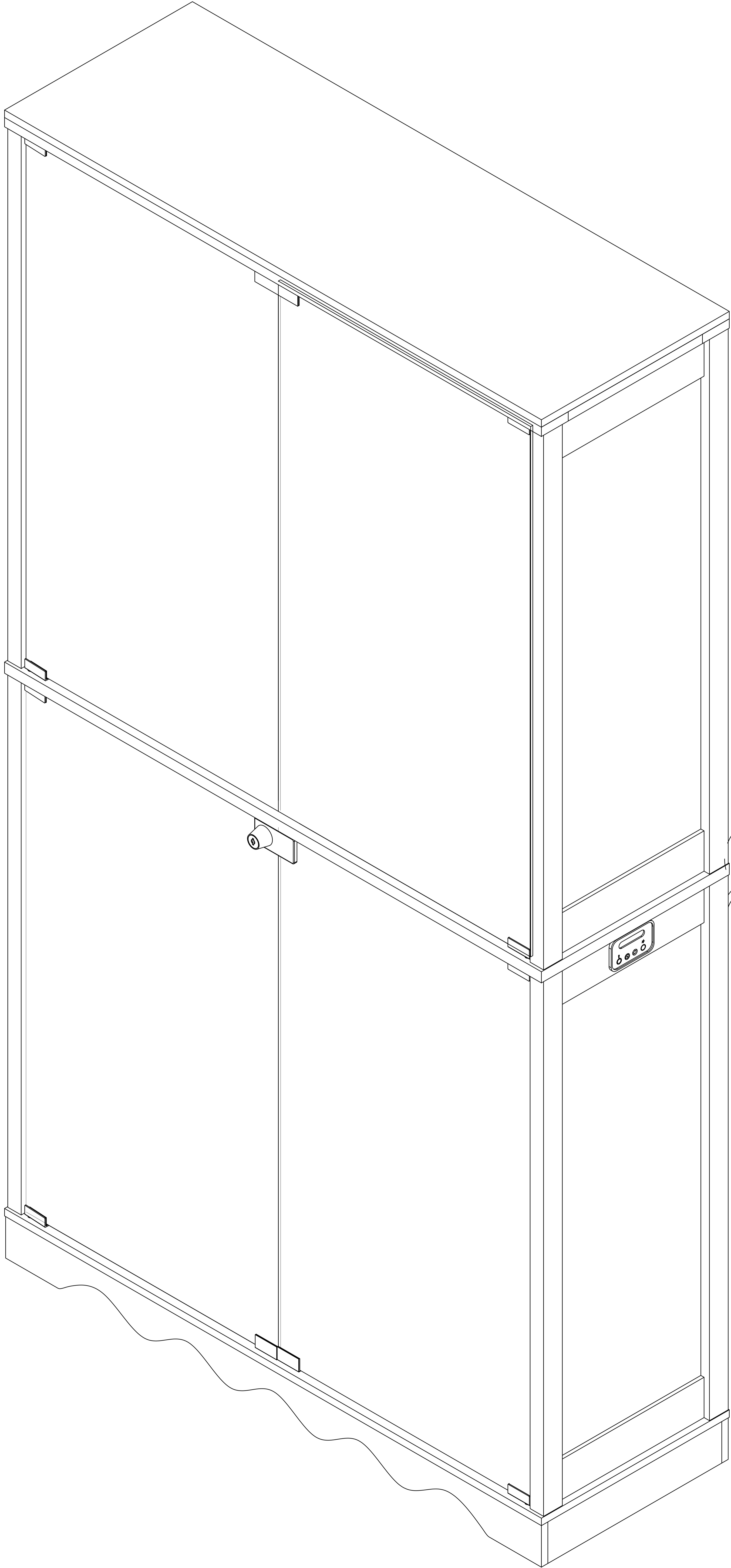
Step 45





x1

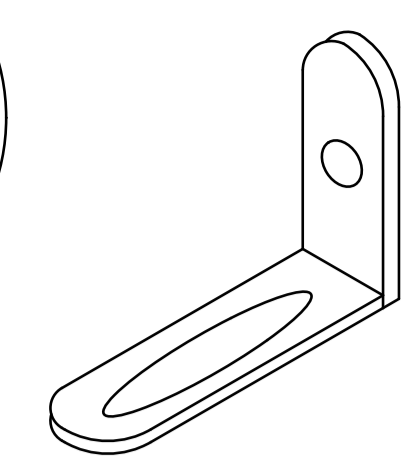
Step 46



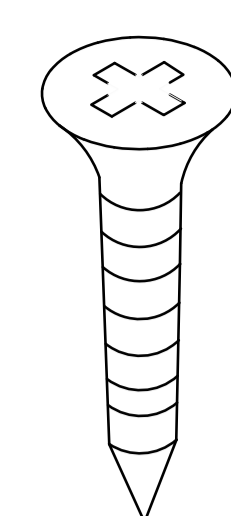
Step 47

Install as required

14



x2

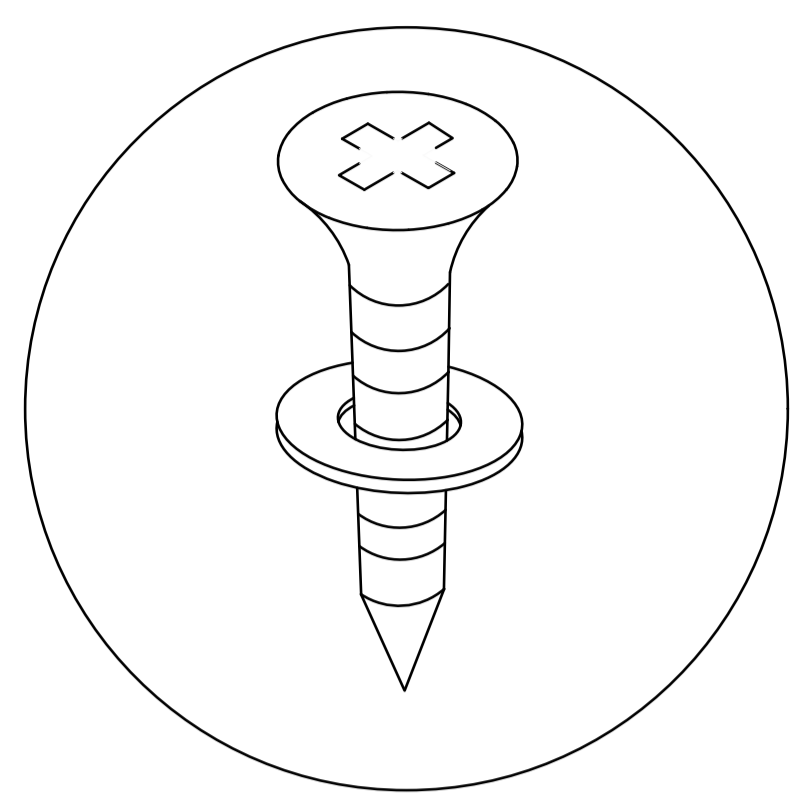


x2

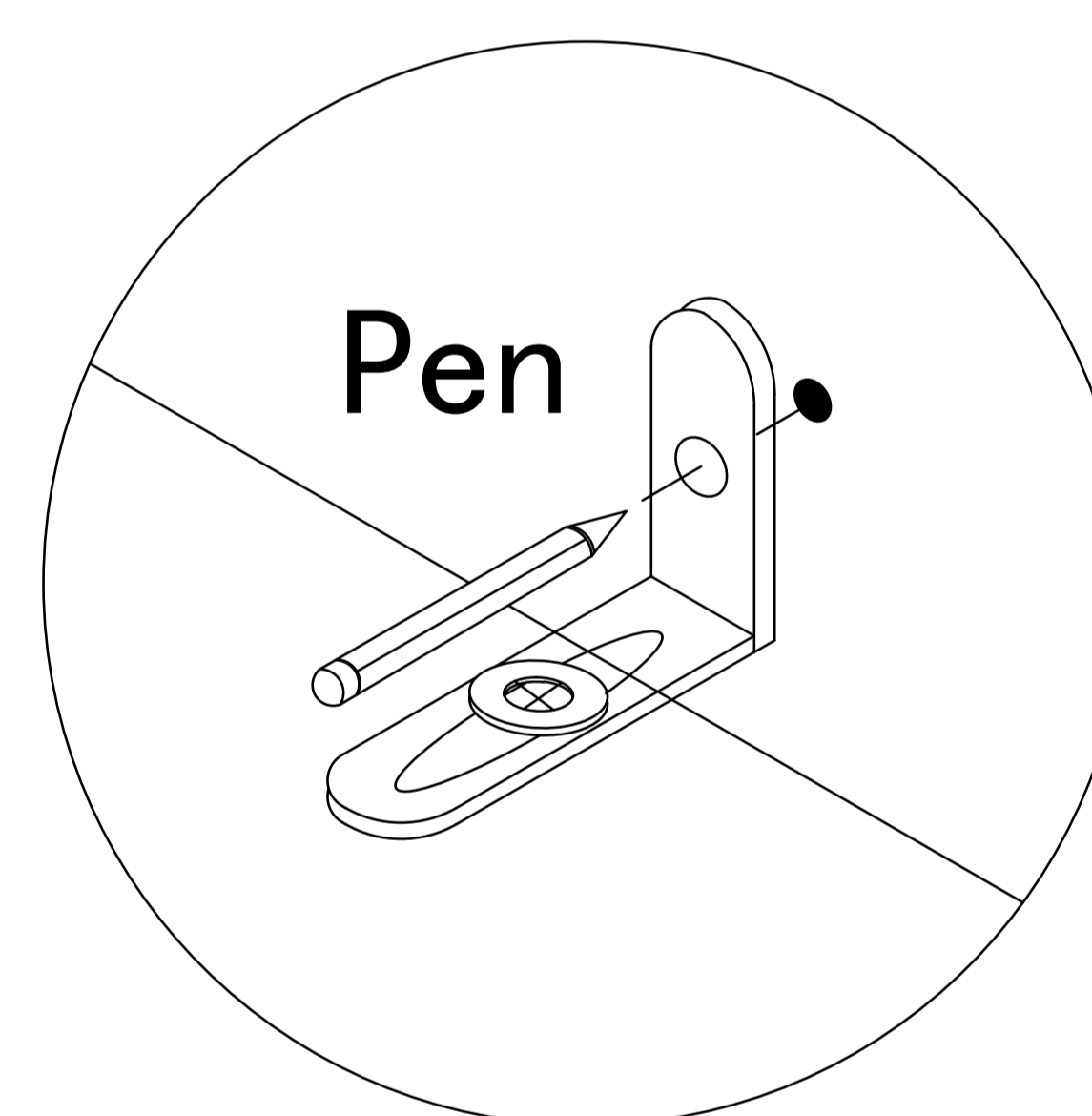
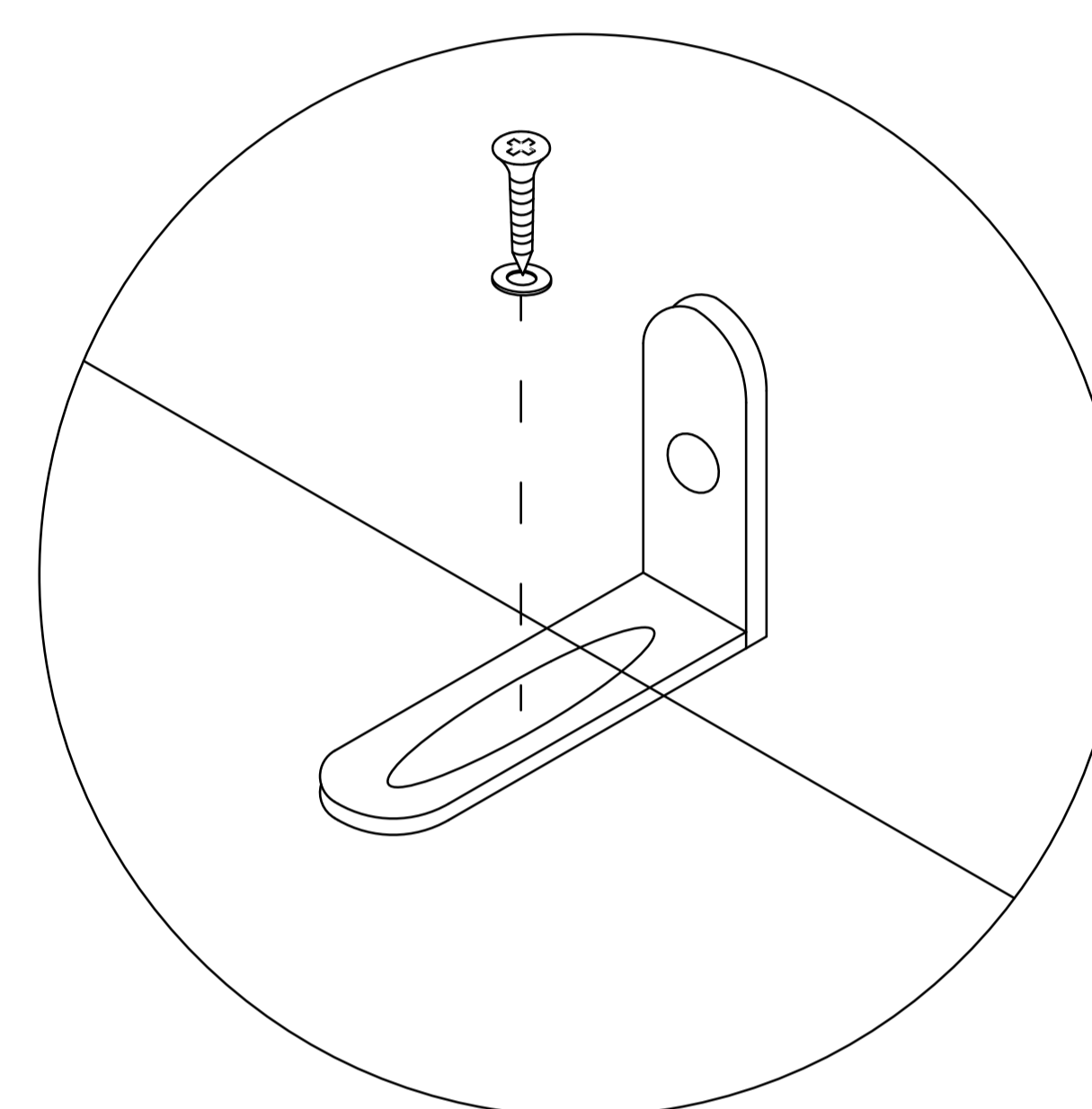
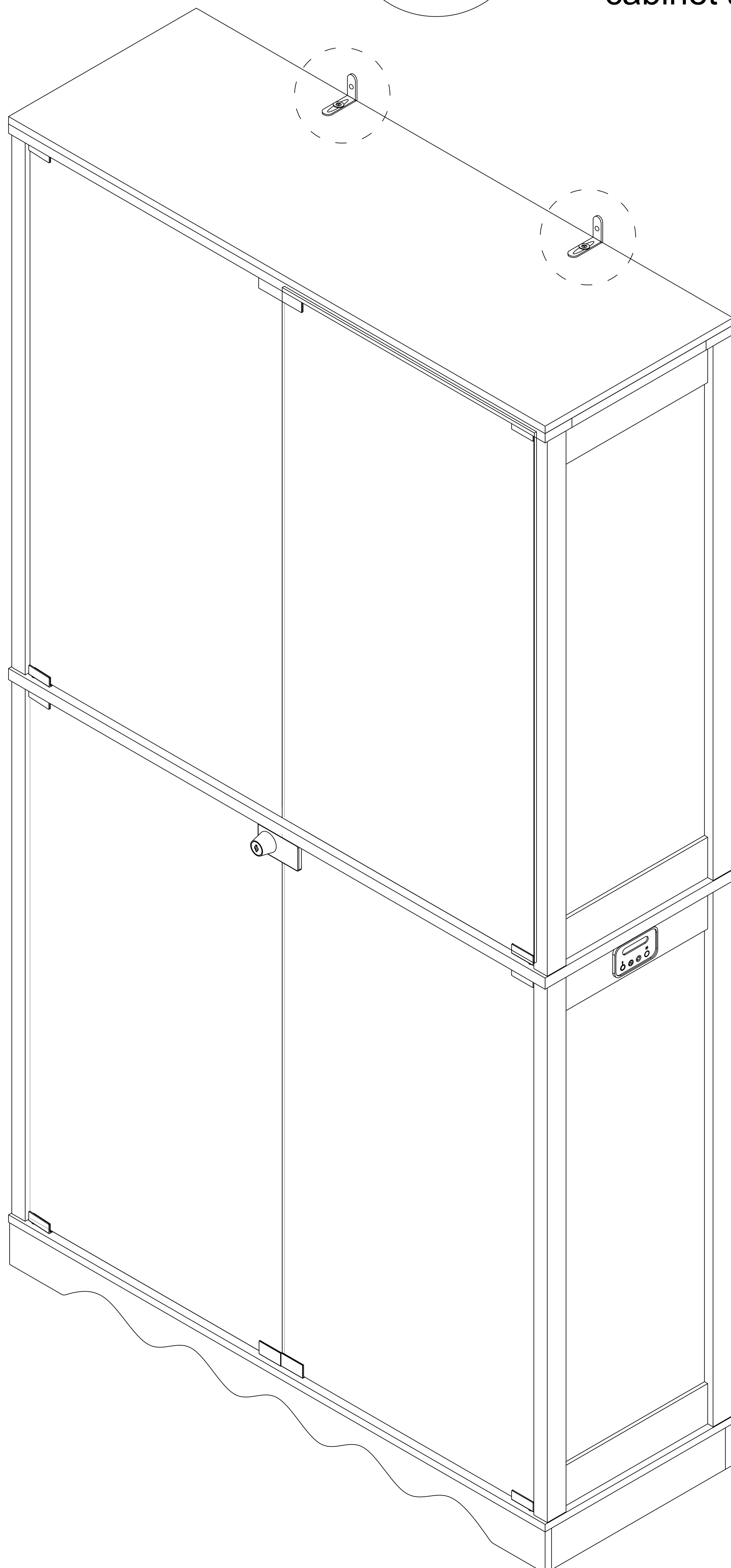


x2

3.5x14mm



Install the anti fall hardware on the cabinet as shown in the picture first




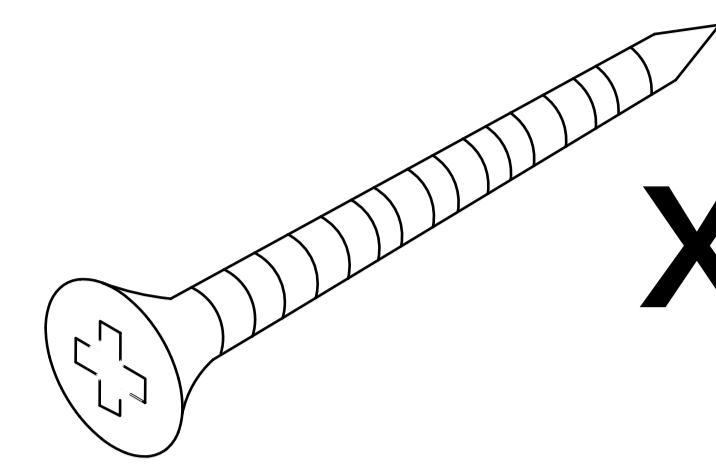
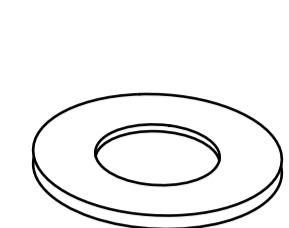
Pen

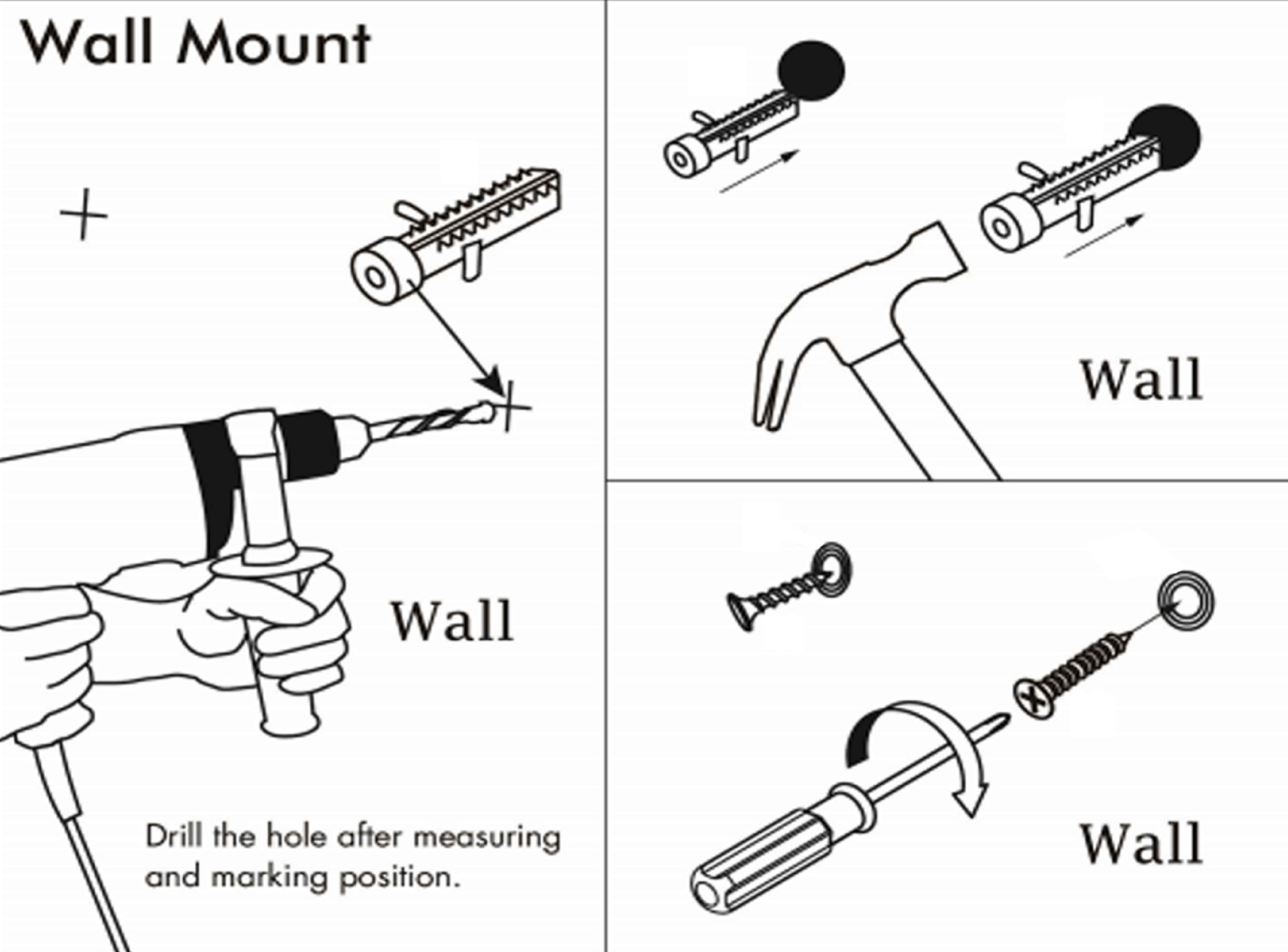
Then mark the wall with a pen through the holes in the anti-fall hardware

Step 48

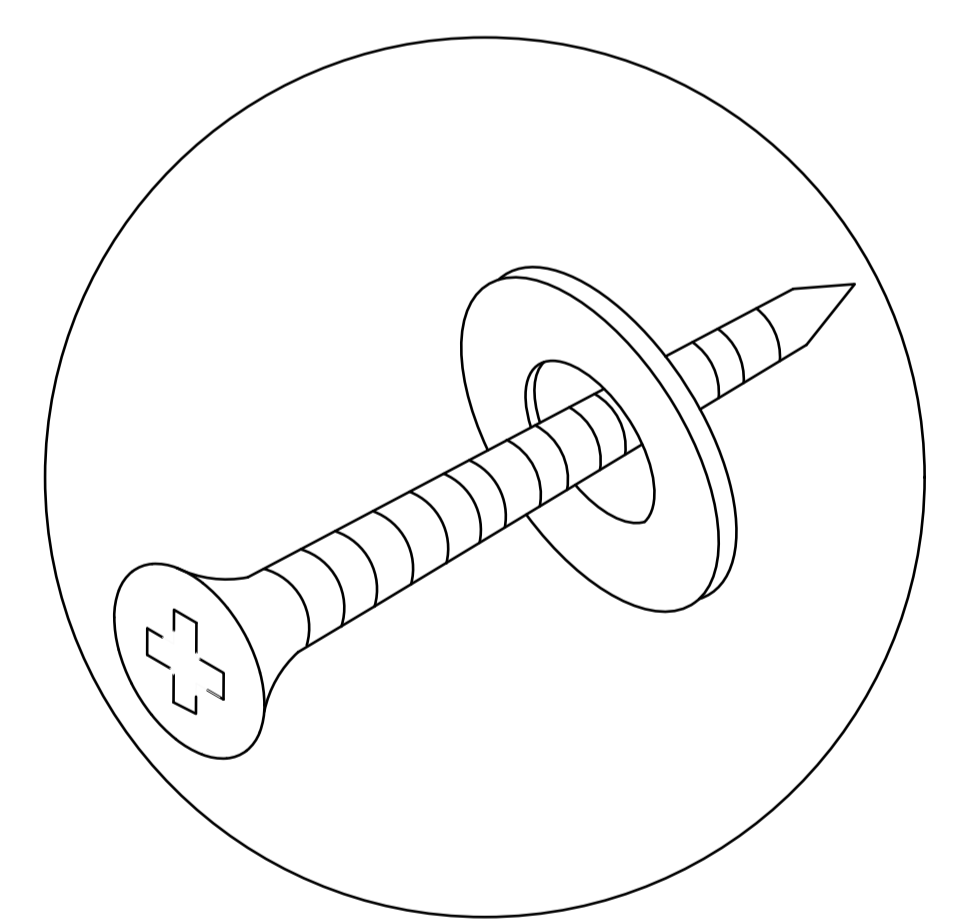
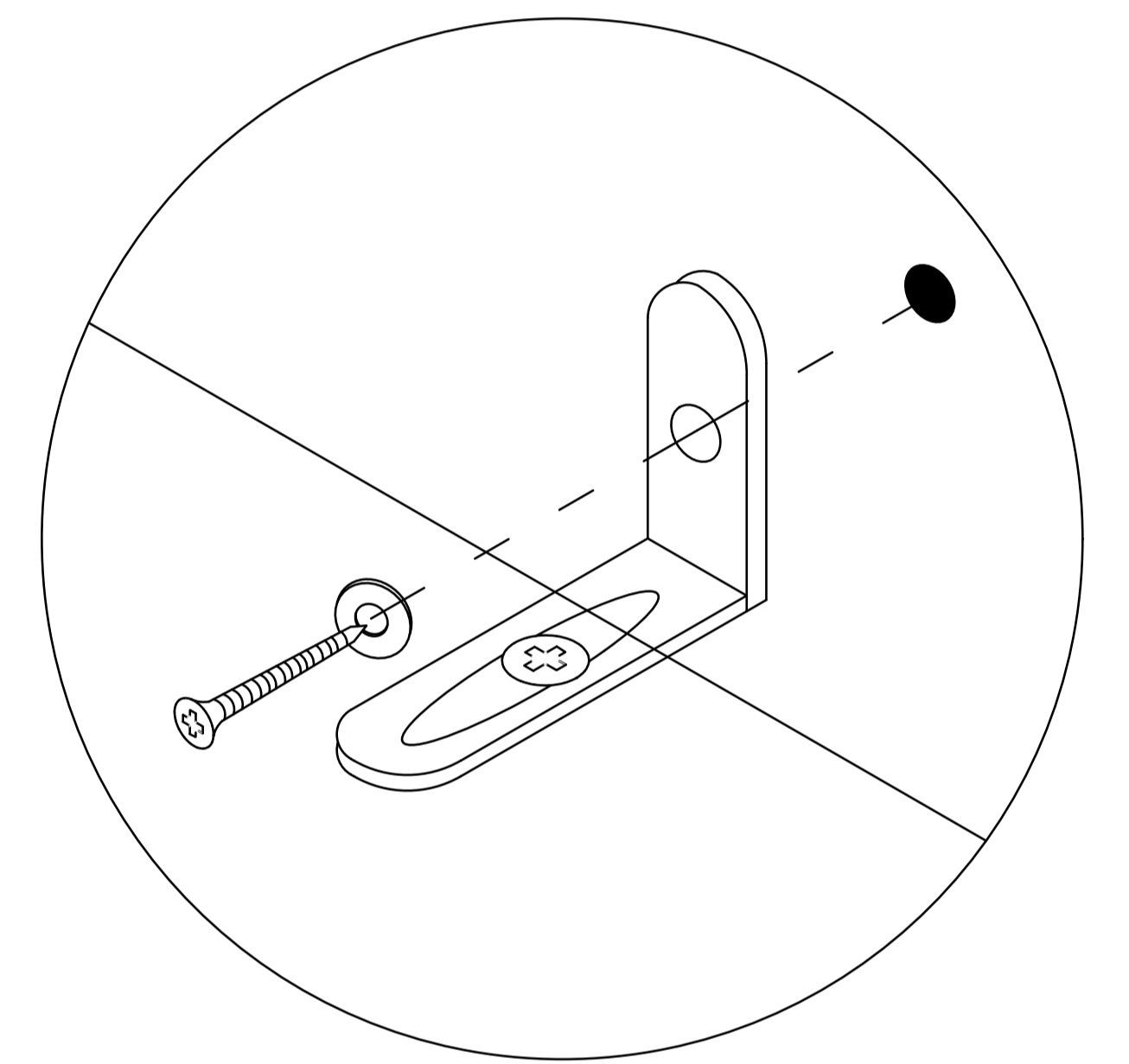
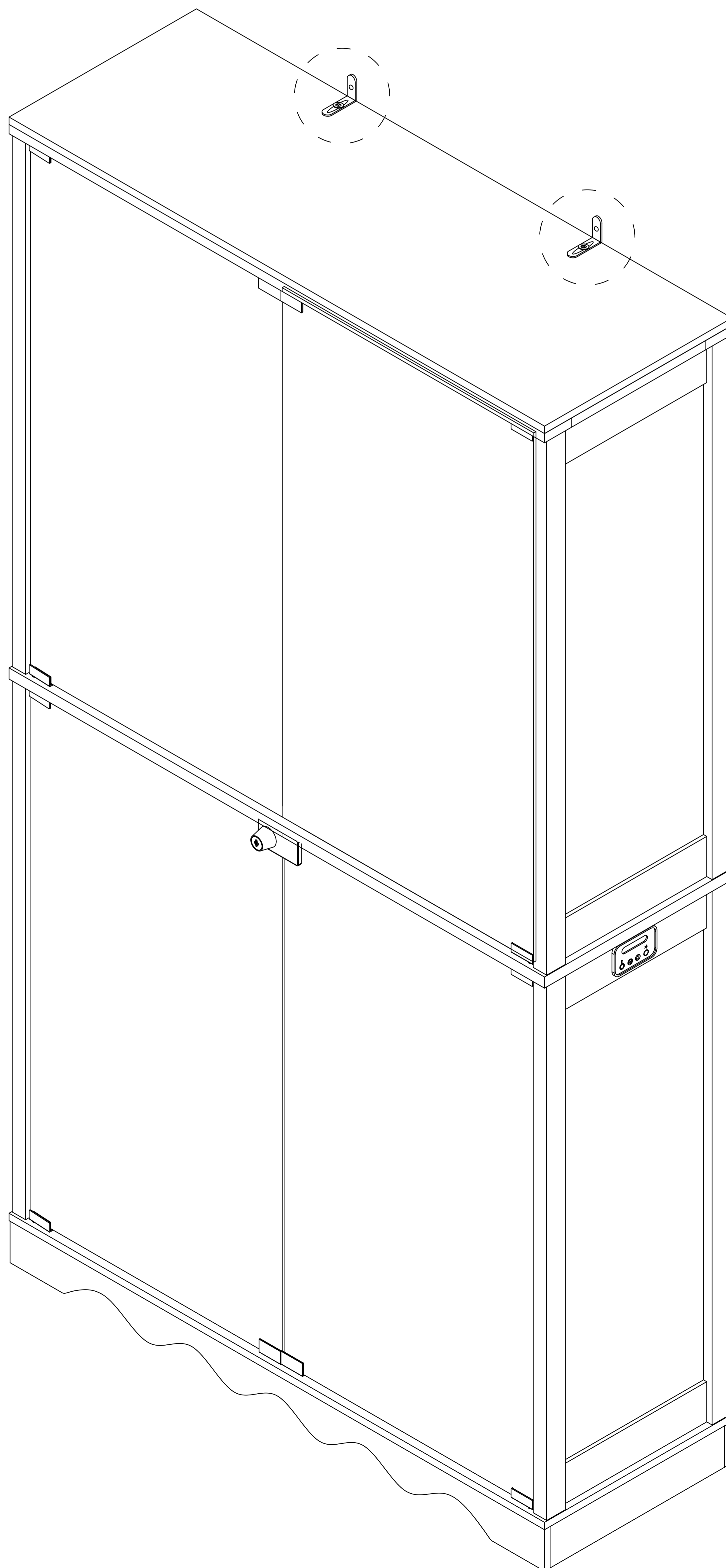
14

 x2

 x2  x2



Drill the hole with an electric drill and punch in the colloidal particles



4x45mm

Fix the dressing table to the wall

User's Guide

Thank you for purchasing this product.

To use this product, please plug it into a 12V DC power supply.

Please use if the product works normally after connecting to power.

Introduction

The box is an intelligent controller. With 5 touch buttons, it can turn ON/OFF the light and turn ON/OFF the induction function, change light colors, and adjust the light luminance.



Operation



This touch button is the master switch of the smart box,

which can turn off all functions of the box and control the light strips on/off operation.

The operation that can be turned on and off with just a light tap. Press and hold to adjust the brightness.

Upon first power-up, the default light will be set to white.



This touch button is used to turn on/off the induction function.

A. touch this button once to turn on the induction function (indicator light on).

After the person leaves or remains stationary for more than 30 seconds, the light strip goes out; people and objects within a range of 1 meters move will light up the light strip.

B. Long press this button for 0.5 seconds to turn off the human body induction function (the indicator light goes out).

At this point, Keep the light strip as it was before turning off and no longer be affected by human and object activities.

By default, induction function is enabled when powered on.



This touch button is the Dynamic Phantom Color Mode, which includes 5 magical lighting effects.

Simply tap to cycle through the options. (Attention: This mode cannot adjust the brightness)



This touch button controls the single-color switching function of the light strips,

offering 7 different colors to choose from.



This area controls the color switching function.

You can tap or slide to any color bar position to change the color.

Color Palette



Induction Button

Phantom Color Mode Button

Master Switch Button

7-Color Mode Button



ATTENTION PLEASE

1. If there is no touch response suddenly, Re-plug the power to reset the touch static electricity.
2. If bubbles appear on the panel, remove the protective film.
3. If you have any questions when installing, please feel free to contact us. Thank you.