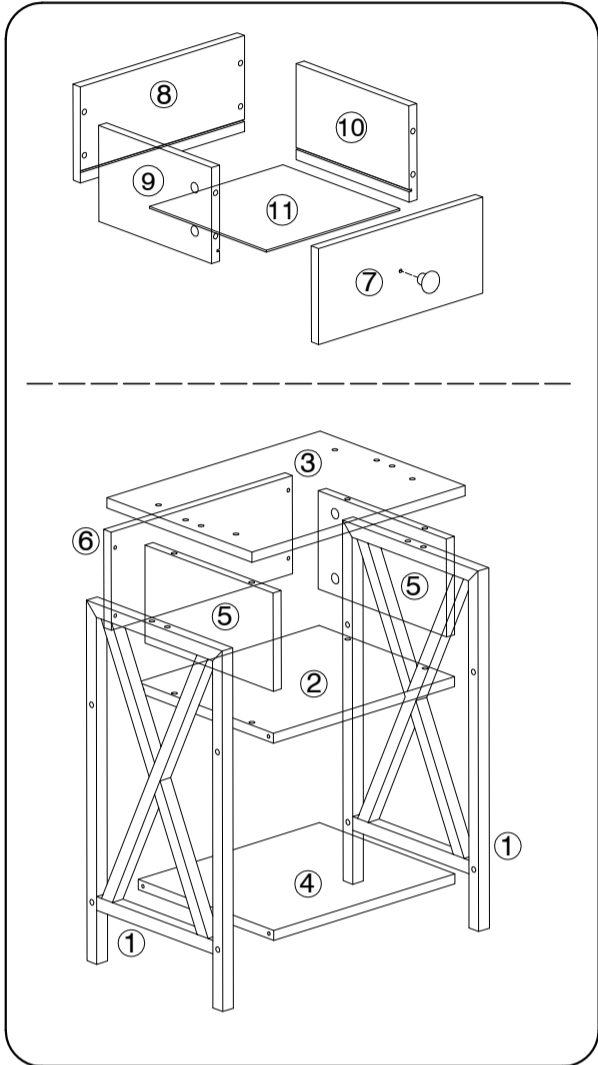


Assembly Instructions

Tips!

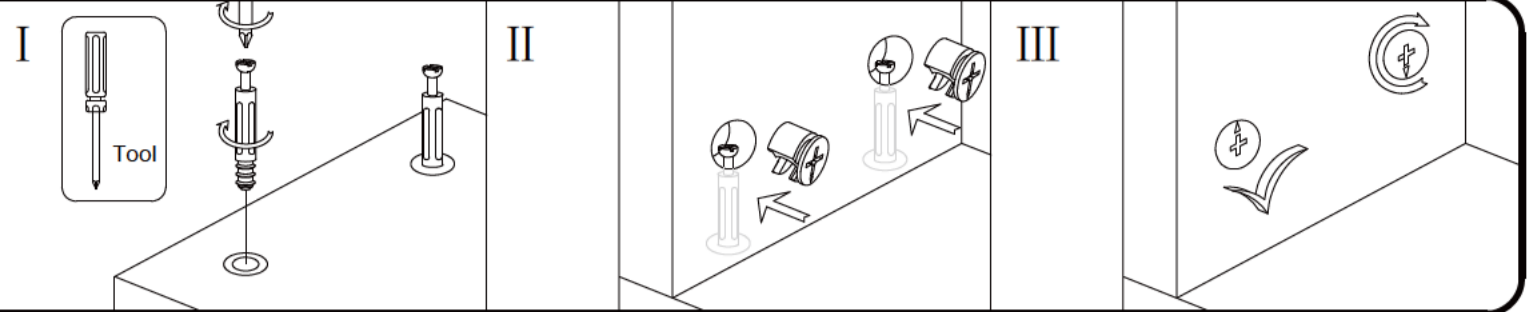
Check all the components & screws before assembly. **Do not install in case part is missing, contact us to get.**



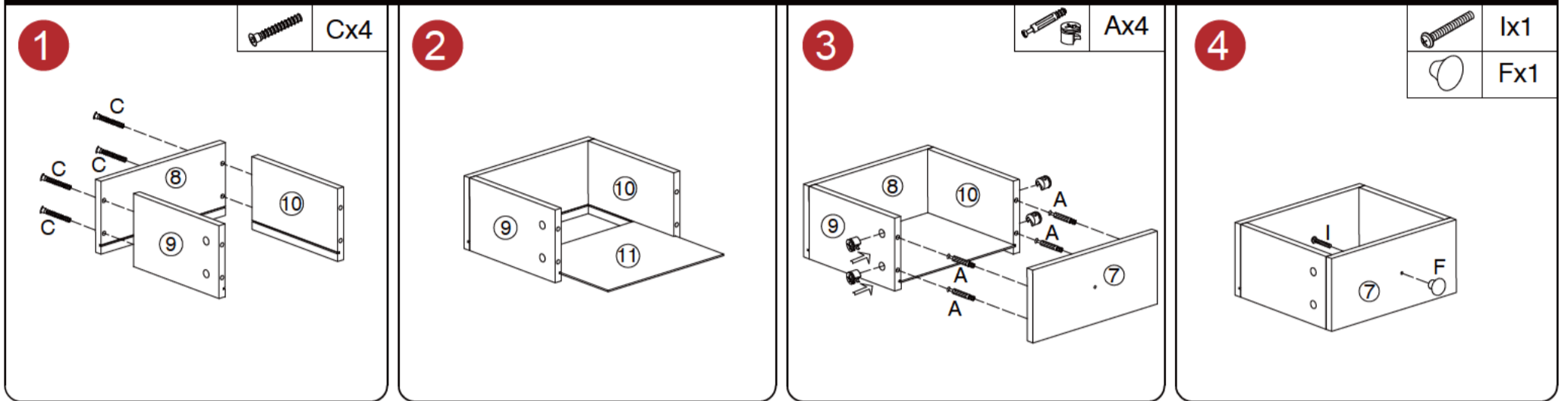
1		2	2		1
3		1	4		1
5		2	6		1
7		1	8		1
9		1	10		1
11		1			

A		8	B		8	C		12	D		4	E		2
F		1	G		4	H		1	I		1	J		1

"A" Hardware installation example

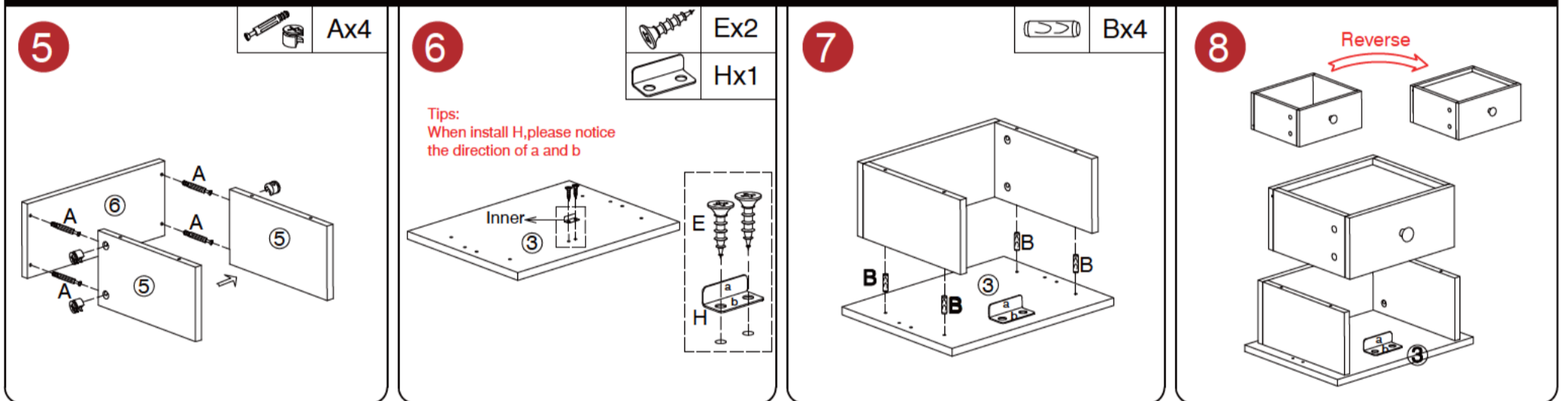


StepA:Drawer Assembly

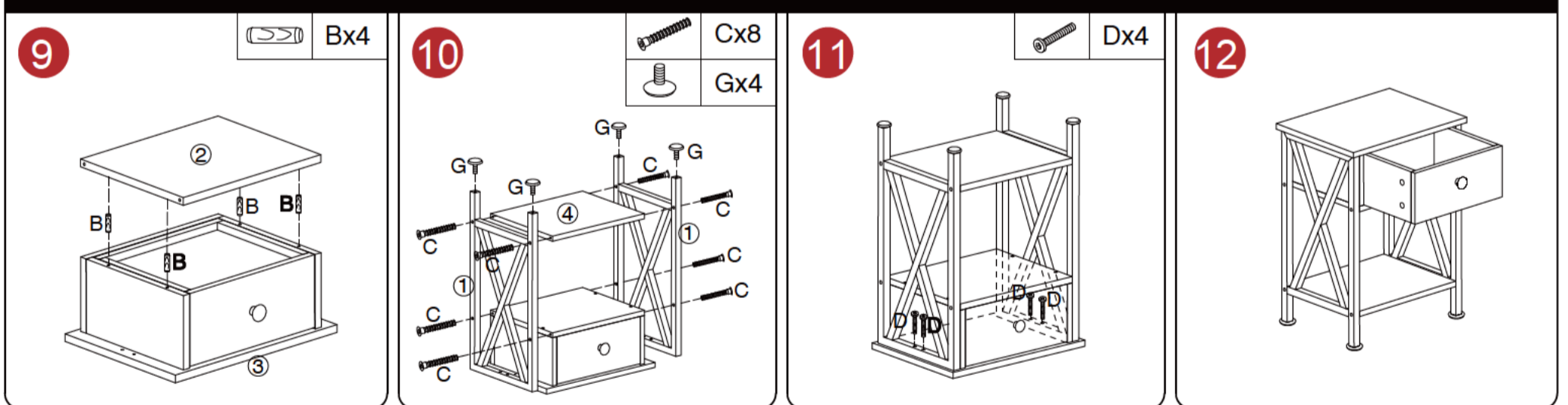


StepB:Drawer Outer Frame Assembly (5 6 7)

StepC:Assemble Drawer Embed in Drawer Outer Frame(8)



StepD:Main frame assembly



StepE:Check and tighten all screws

