

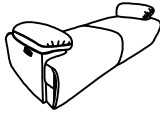
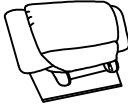


Assembly Instruction

Power Double Reclining Love Seat With Charging Ports



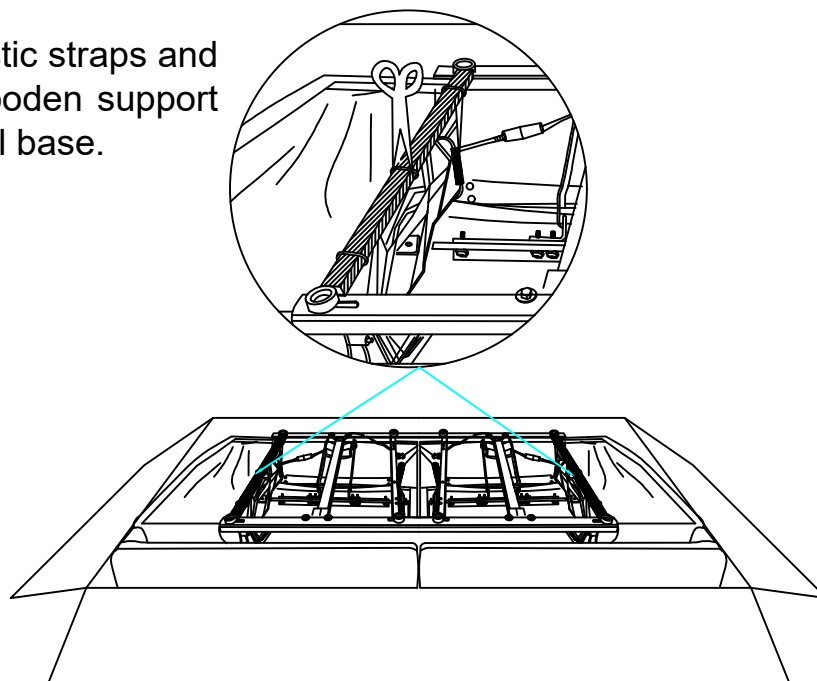
Note: Do not use power tools for assembly. Power tools increase the risk of over tightening which lead to splitting or cracking the wood.

Component list

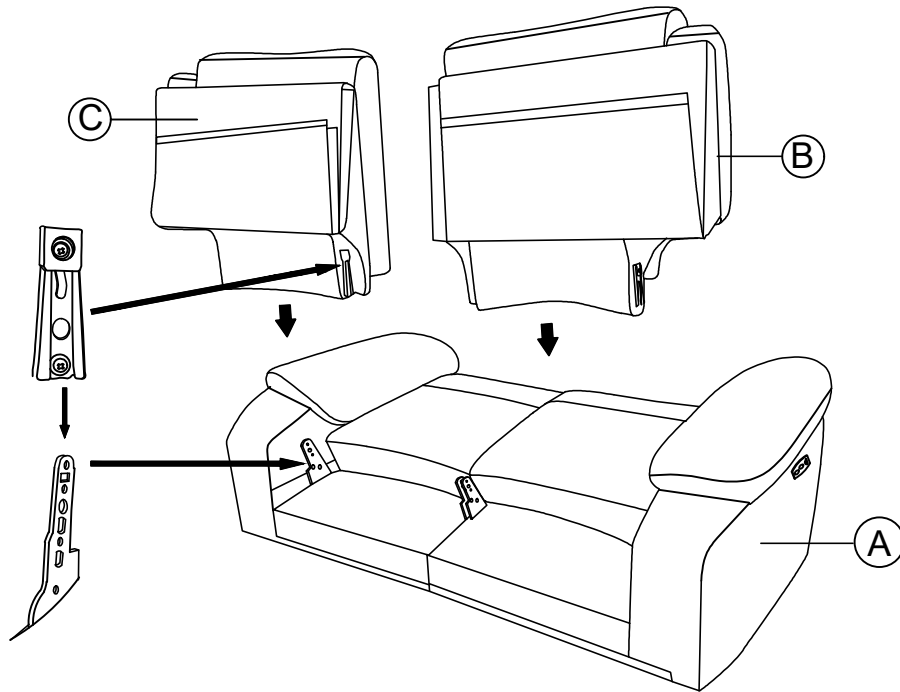
No.	Drawing	Description	Qty
A		Seat	1 PC
B		LSF Backrest	1 PC
C		RSF Backrest	1 PC
D		Adapter	1 PC

STEP #1

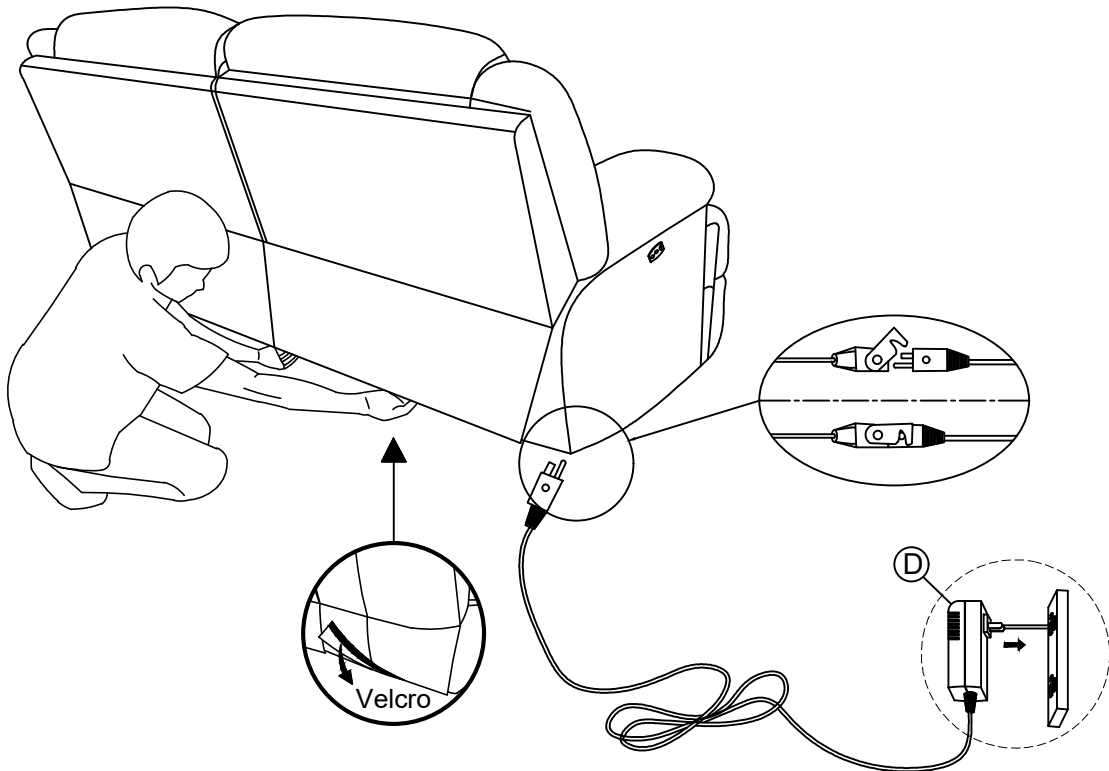
Cut off the plastic straps and remove the wooden support out of the metal base.



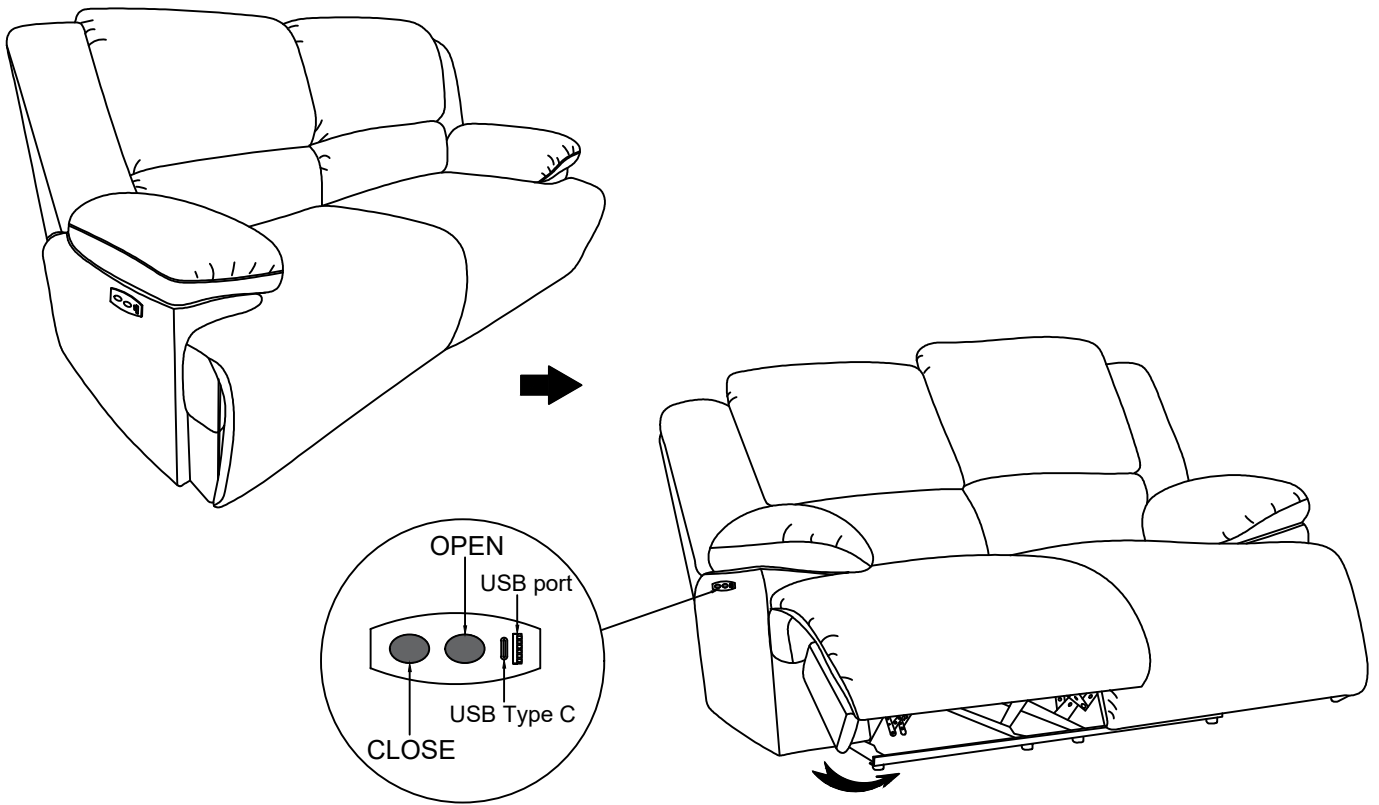
STEP #2



STEP #3



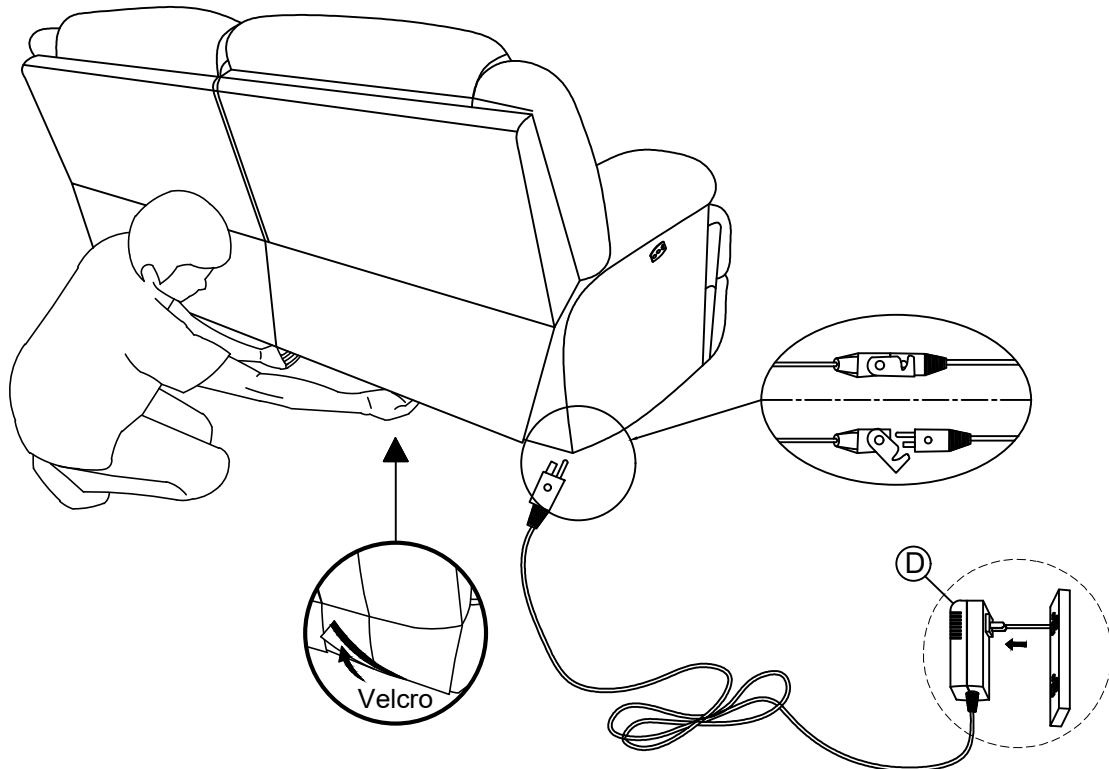
COMPLETED



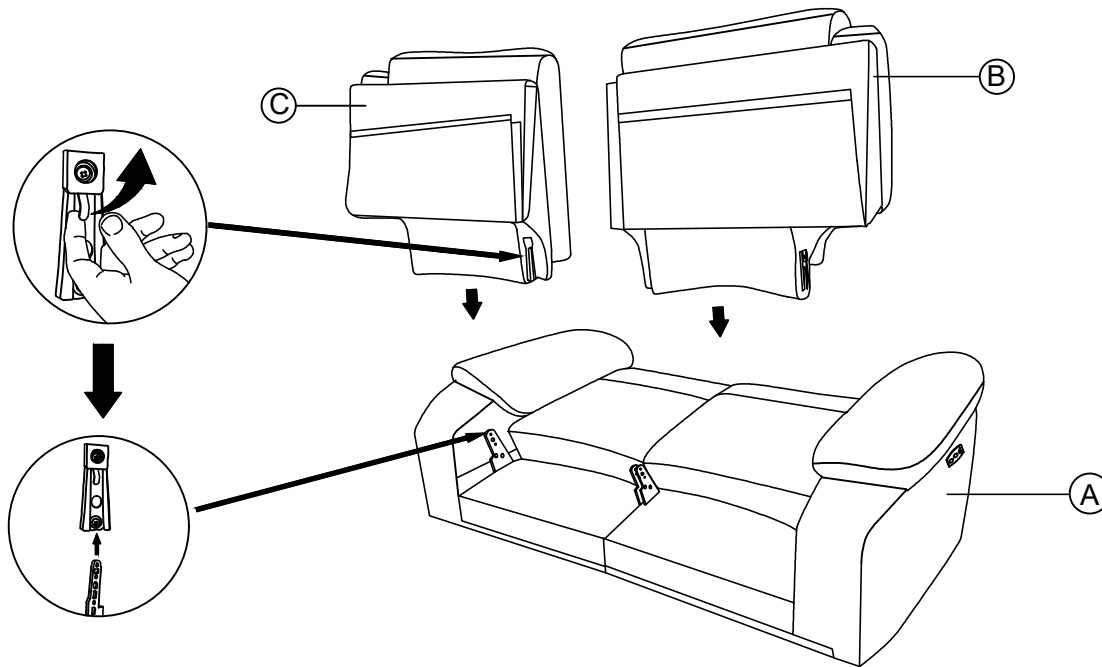
Disassemble the back

Unplug all electrical parts before disassembling back rest.

STEP #1 Back Rest remove.



STEP #2 To unlock the back of the recliner from its base, push up on the small metal hook built into the side of the recliner



Care Instructions for Textured microfiber Furniture:

In order to maintain the original appearance of your Textured microfiber Furniture, please follow below simple care procedures:

- Avoid exposing furniture directly to sunlight or heating and air conditioning outlets. Sunlight and/or exposure to heating and air conditioning outlets will fade/damage Textured microfiber.
- Vacuum or wipe with a soft cloth to remove dust.
- Hardware may loosen over time. Periodically check to make sure all connections are tight, Re-tighten if necessary.



For items use on wooden floor, hard surfaces or carpets, it is recommended to install protective pads under all legs and supports to avoid/prevent from damages/scratches and discoloration.

CAUTION: Changes or modification not expressly approved by the party responsible for compliance could void the user's authority to operate the equipment.

Note: This equipment has been tested and found to comply with the limits for a Class B digital device, pursuant to part 15 of the FCC Rules. These limits are designed to provide reasonable protection against harmful interference in a residential installation. This equipment generates, uses and can radiate radio frequency energy and, if not installed and used in accordance with the instructions, may cause harmful interference to radio communications. However, there is no guarantee that interference will not occur in a particular installation. If this equipment does cause harmful interference to radio or television reception, which can be determined by turning the equipment off and on, the user is encouraged to try to correct the interference by one or more of the following measures:

- Reorient or relocate the receiving antenna.
- Increase the separation between the equipment and receiver.
- Connect the equipment into an outlet on a circuit different from that to which the receiver is connected.
- Consult the dealer or an experienced radio/TV technician for help.



WARNING: To avoid serious injury:

- Carefully and strictly follow assembly instructions. Improper assembly of furniture can result in structural failure, instability of the product or tip-over.

- Monitor and carefully control the assembly components. These include small parts and hardware that may present a choking hazard to small children.

- Where provided, wall mounting hardware should always be used as prescribed in these instructions to anchor furniture to walls. Proper use of the wall mounting can significantly reduce the potential for furniture tip-over and crush injuries.

Technique Parameter

- USB Input voltage: 5V/2.0A
- USB output voltage: 5V/1.5 - 2.0A
- Charging efficiency: 75% MAX

FCC Responsible Party:
RMT TECHNOLOGY INC
3325 White Drive
Belden, MS 38826
Office: 662-346-4999
Cell: 662-308-0829
rmtusa@rm-motion.com





Assembly Instruction

Power Double Reclining Sofa With Charging Ports



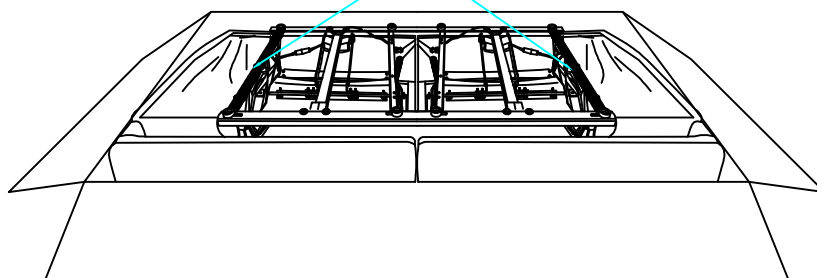
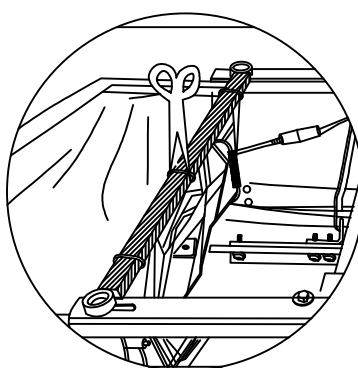
Note: Do not use power tools for assembly. Power tools increase the risk of over tightening which lead to splitting or cracking the wood.

Component list

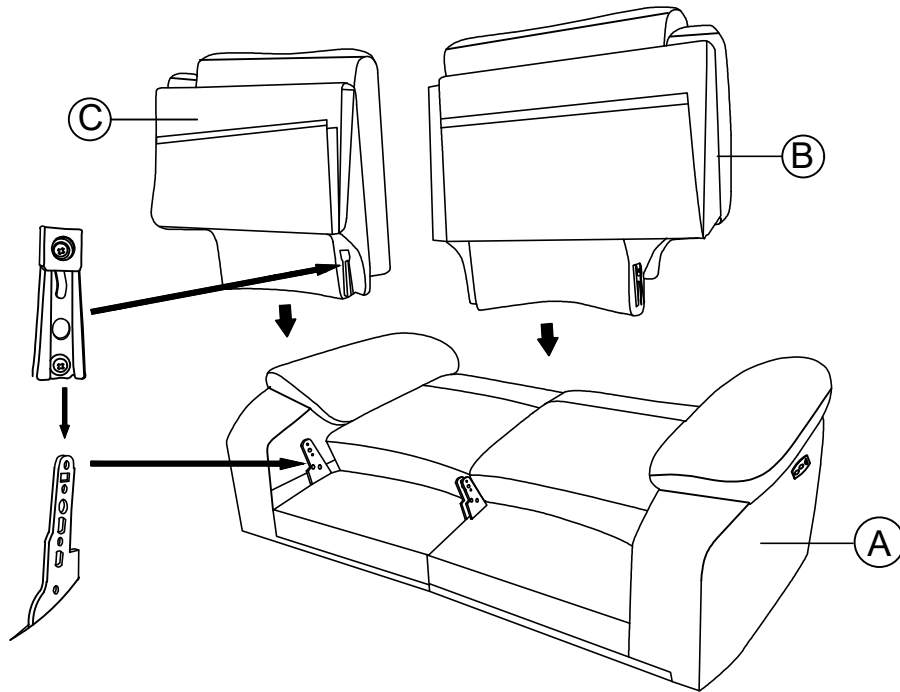
No.	Drawing	Description	Qty
A		Seat	1 PC
B		LSF Backrest	1 PC
C		RSF Backrest	1 PC
D		Adapter	1 PC

STEP #1

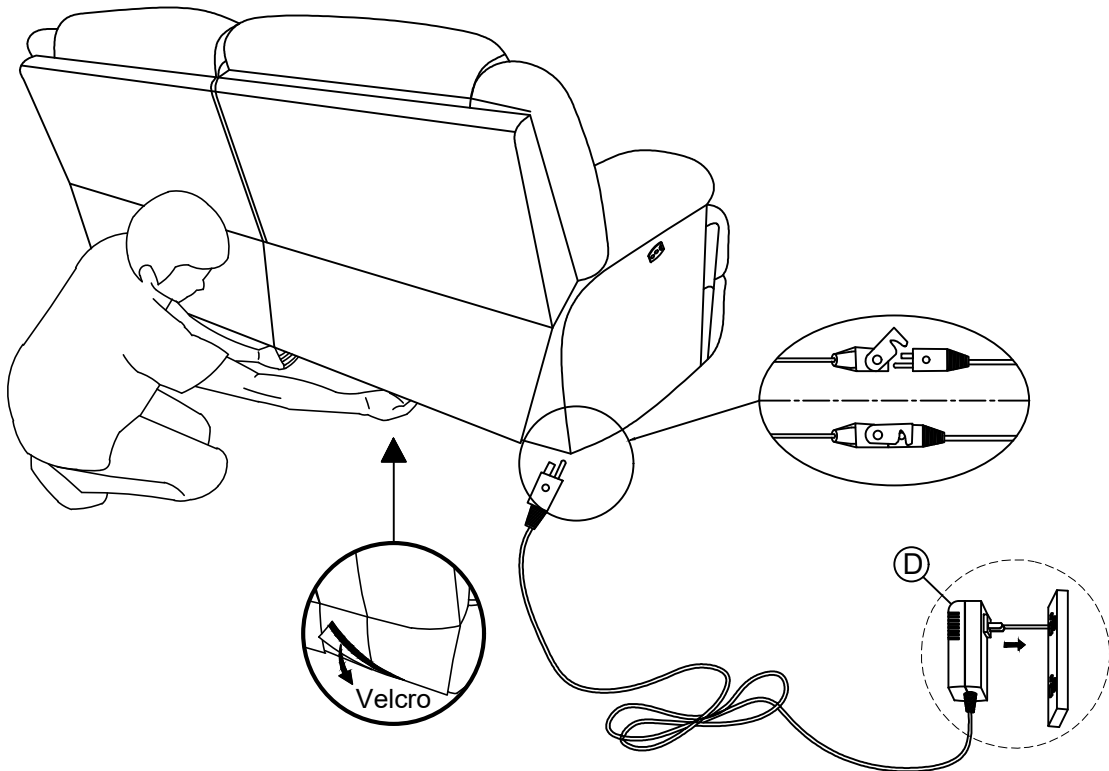
Cut off the plastic straps and remove the wooden support out of the metal base.



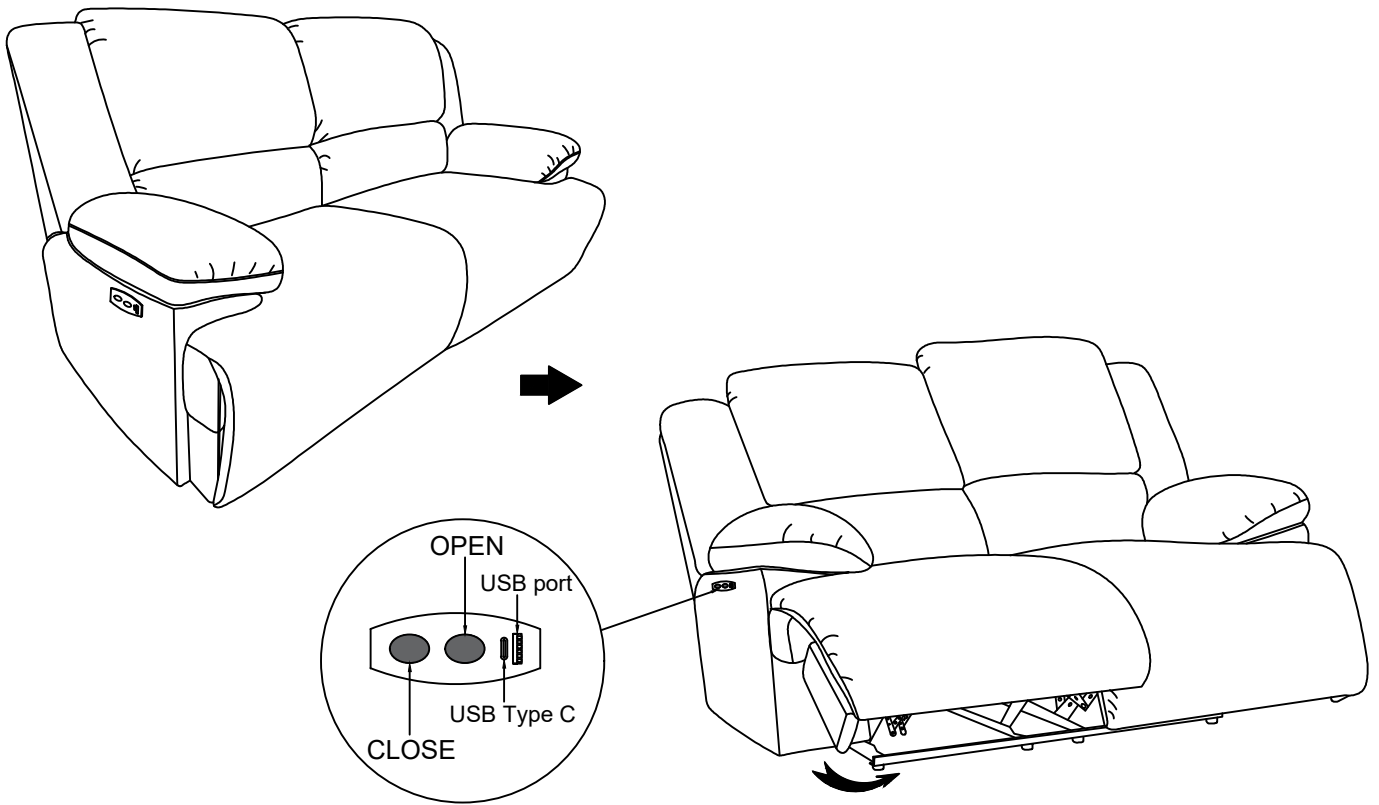
STEP #2



STEP #3



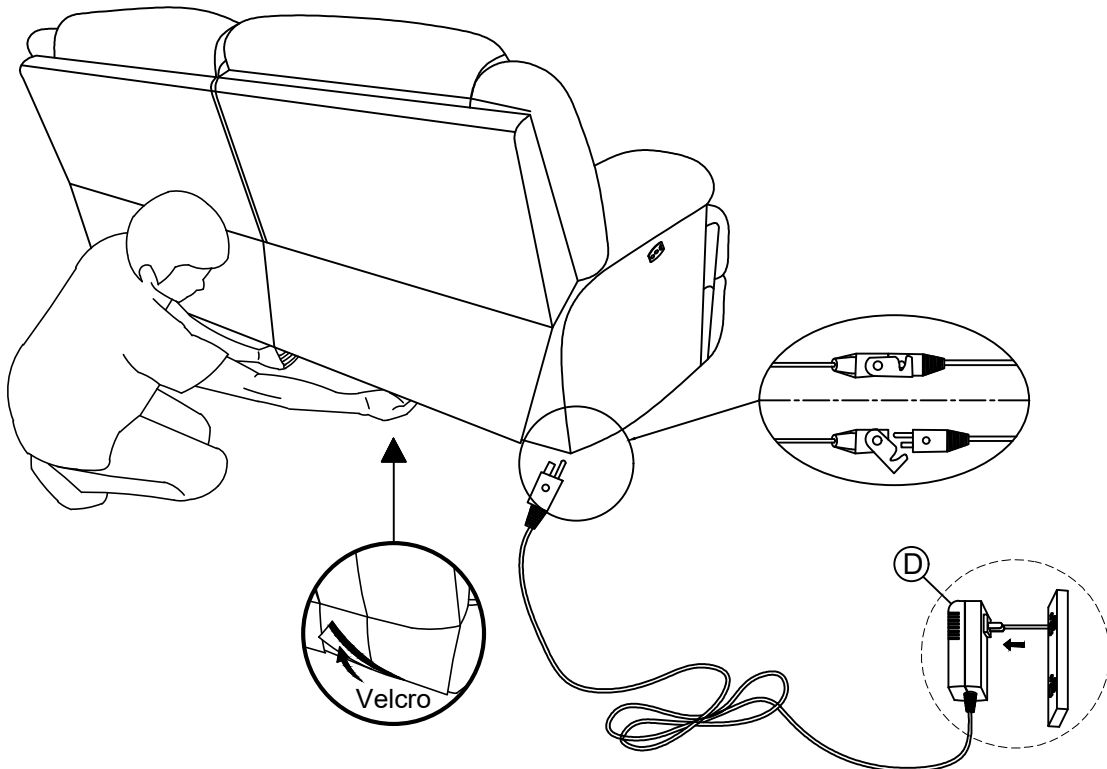
COMPLETED



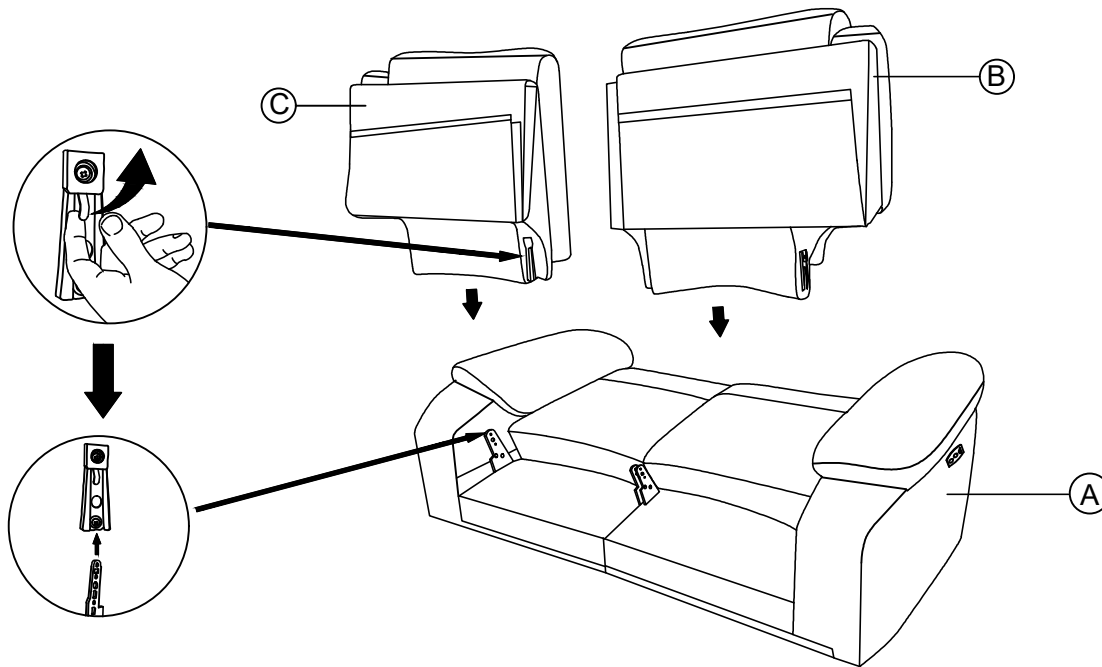
Disassemble the back

Unplug all electrical parts before disassembling back rest.

STEP #1 Back Rest remove.



STEP #2 To unlock the back of the recliner from its base,
push up on the small metal hook built into the side of the recliner



Care Instructions for Textured Microfiber Furniture:

In order to maintain the original appearance of your Textured Microfiber Furniture, please follow below simple care procedures:

- Avoid exposing furniture directly to sunlight or heating and air conditioning outlets. Sunlight and/or exposure to heating and air conditioning outlets will fade/damage Textured microfiber.
- Vacuum or wipe with a soft cloth to remove dust.
- Hardware may loosen over time. Periodically check to make sure all connections are tight, Re-tighten if necessary.



For items use on wooden floor, hard surfaces or carpets, it is recommended to install protective pads under all legs and supports to avoid/prevent from damages/scratches and discoloration.

CAUTION: Changes or modification not expressly approved by the party responsible for compliance could void the user's authority to operate the equipment.

Note: This equipment has been tested and found to comply with the limits for a Class B digital device, pursuant to part 15 of the FCC Rules. These limits are designed to provide reasonable protection against harmful interference in a residential installation. This equipment generates, uses and can radiate radio frequency energy and, if not installed and used in accordance with the instructions, may cause harmful interference to radio communications. However, there is no guarantee that interference will not occur in a particular installation. If this equipment does cause harmful interference to radio or television reception, which can be determined by turning the equipment off and on, the user is encouraged to try to correct the interference by one or more of the following measures:

- Reorient or relocate the receiving antenna.
- Increase the separation between the equipment and receiver.
- Connect the equipment into an outlet on a circuit different from that to which the receiver is connected.
- Consult the dealer or an experienced radio/TV technician for help.



WARNING: To avoid serious injury:

- Carefully and strictly follow assembly instructions. Improper assembly of furniture can result in structural failure, instability of the product or tip-over.

- Monitor and carefully control the assembly components. These include small parts and hardware that may present a choking hazard to small children.

- Where provided, wall mounting hardware should always be used as prescribed in these instructions to anchor furniture to walls. Proper use of the wall mounting can significantly reduce the potential for furniture tip-over and crush injuries.

Technique Parameter

- USB Input voltage: 5V/2.0A
- USB output voltage: 5V/1.5 - 2.0A
- Charging efficiency: 75% MAX

FCC Responsible Party:
RMT TECHNOLOGY INC
3325 White Drive
Belden, MS 38826
Office: 662-346-4999
Cell: 662-308-0829
rmtusa@rm-motion.com