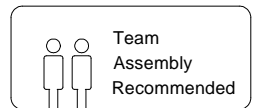
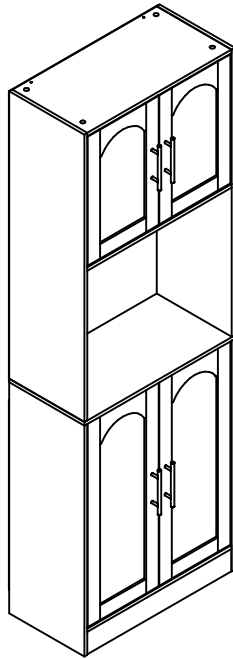


SKU: PH0_15U0DKVW



Trouble shooting:

Missing / Wrong / Broken parts and installation issues



Send email with your question, pic and order **NO.** to **support@idealhouse.VIP**




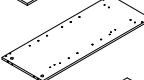

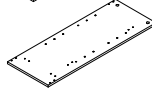
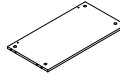
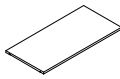
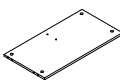

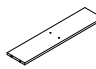
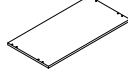
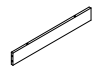
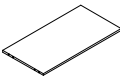
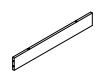
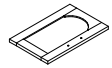
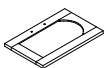
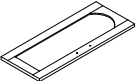
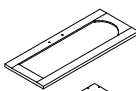
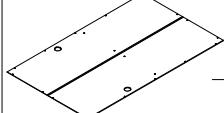
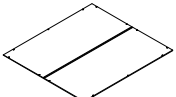
Respond within 24 hours









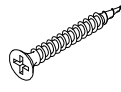
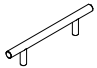
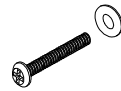
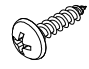

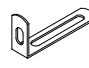
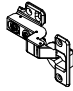

Issue resolved

Note: Do not tighten all screws in advance; tighten the screws after operating all steps.

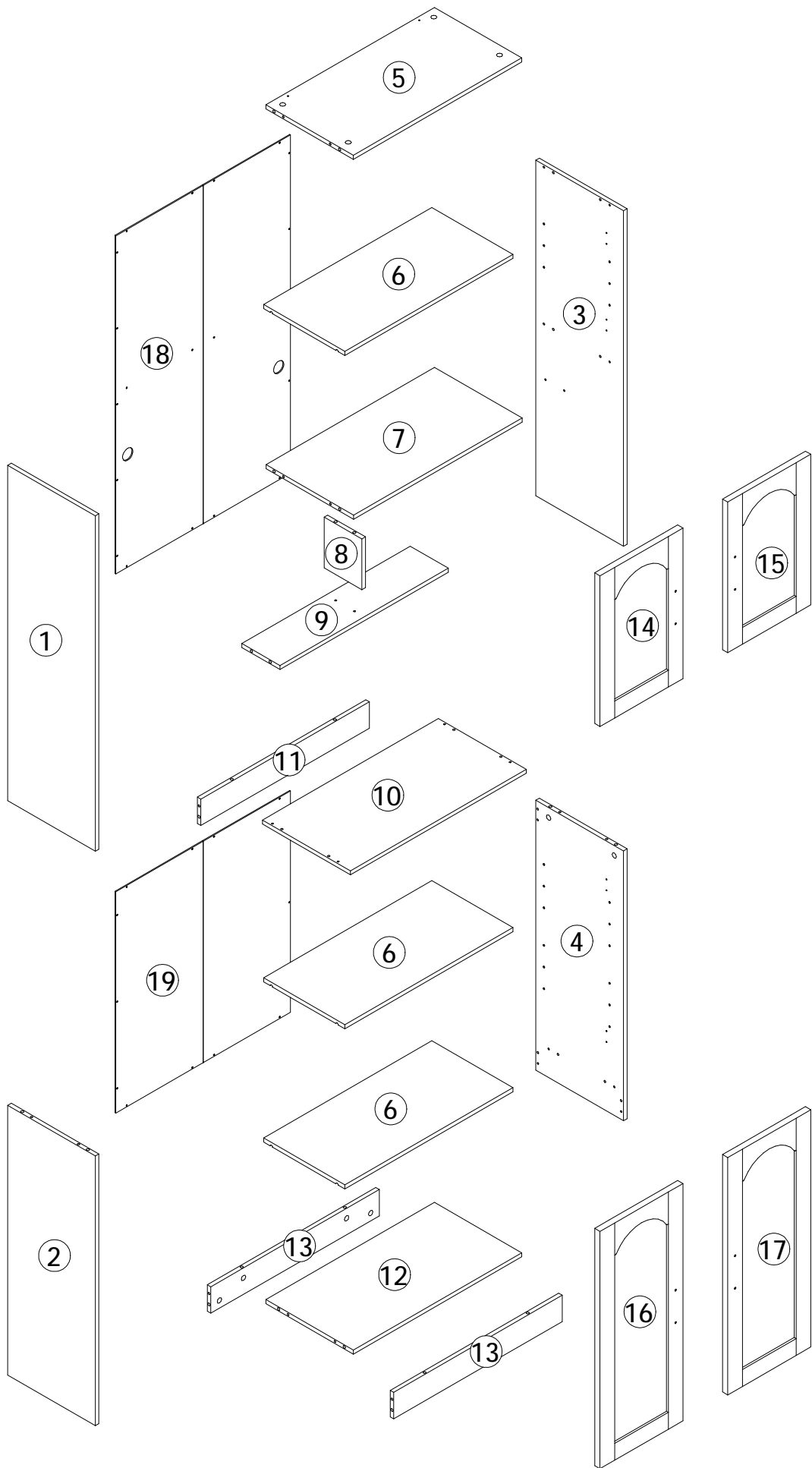
Componets

	991*299mm	1	x 1
	797*299mm	2	x 1
	991*299mm	3	x 1
	797*299mm	4	x 1
	575*298mm	5	x 1
	574*277mm	6	x 3
	575*299mm	7	x 1
	150*129mm	8	x 1
	575*130mm	9	x 1
	600*300mm	10	x 1
	575*78mm	11	x 1
	575*298mm	12	x 1
	575*78mm	13	x 2
	445*283mm	14	x 1
	445*283mm	15	x 1
	701*283mm	16	x 1
	701*283mm	17	x 1
	999*596mm	18	x 1
	654*596mm	19	x 1

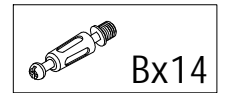
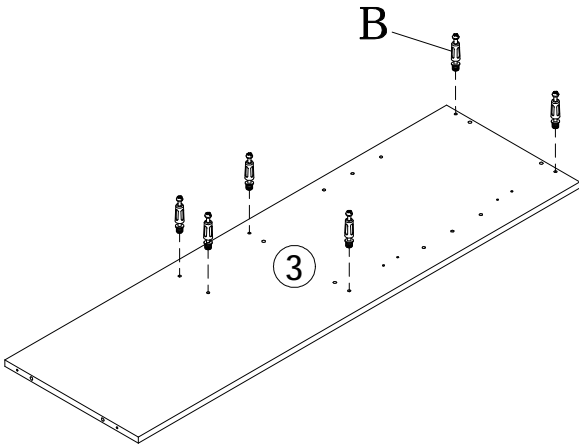
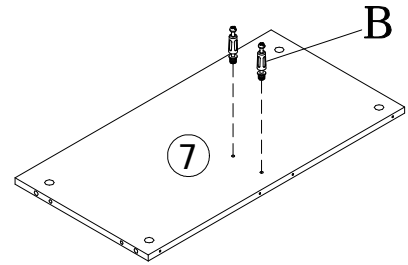
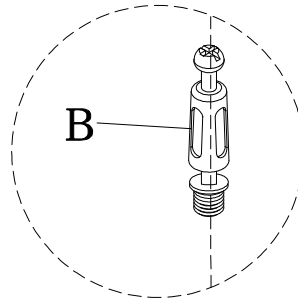
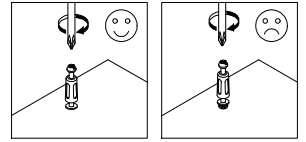
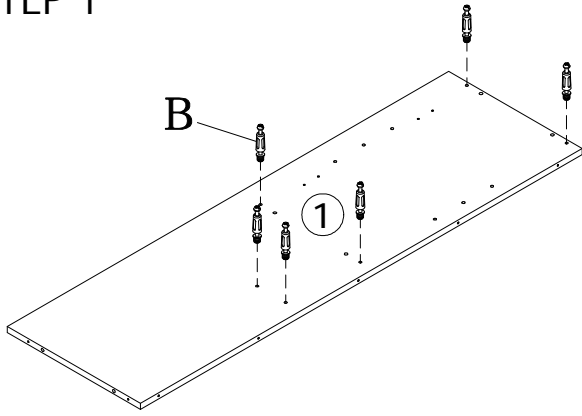
Screws & Tools

A		Ø15x9.5	x 34
B		Ø8x35	x 34
C		Ø6x30	x 26
D			x 1
E			x 2
F		Ø5x16	x 12
G		Ø4x40	x 8
H		Ø10*150*33	x 4
I		M4x25	x 8
J		Ø3.5x12	x 36
K		Ø3.5x12	x 51
L		50x24x12	x 2
M			x 8
N			x 1

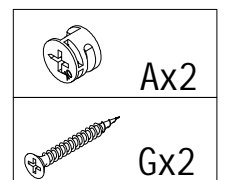
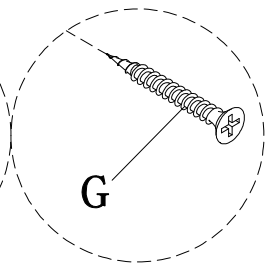
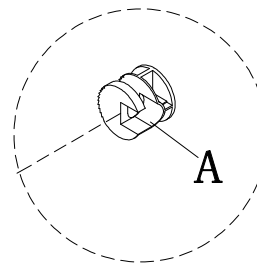
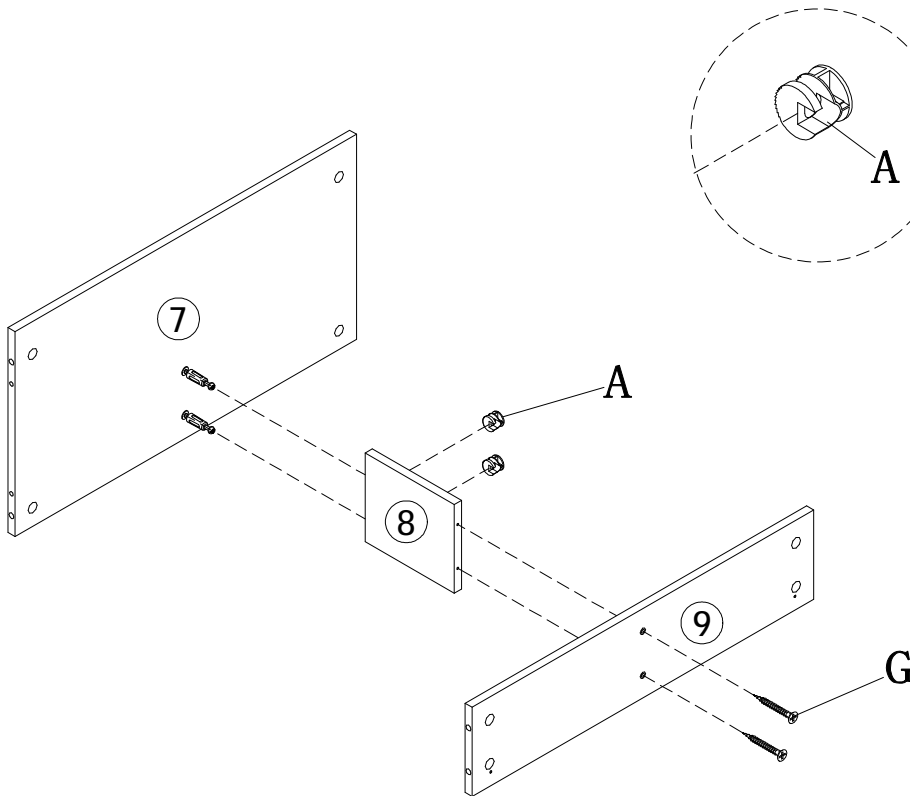
Check all components & screws before assembly.
Do not install in case part is missing, contact us to get.
Send email with your question to support@idealhouse.vip.
We will resend within 24 hours.



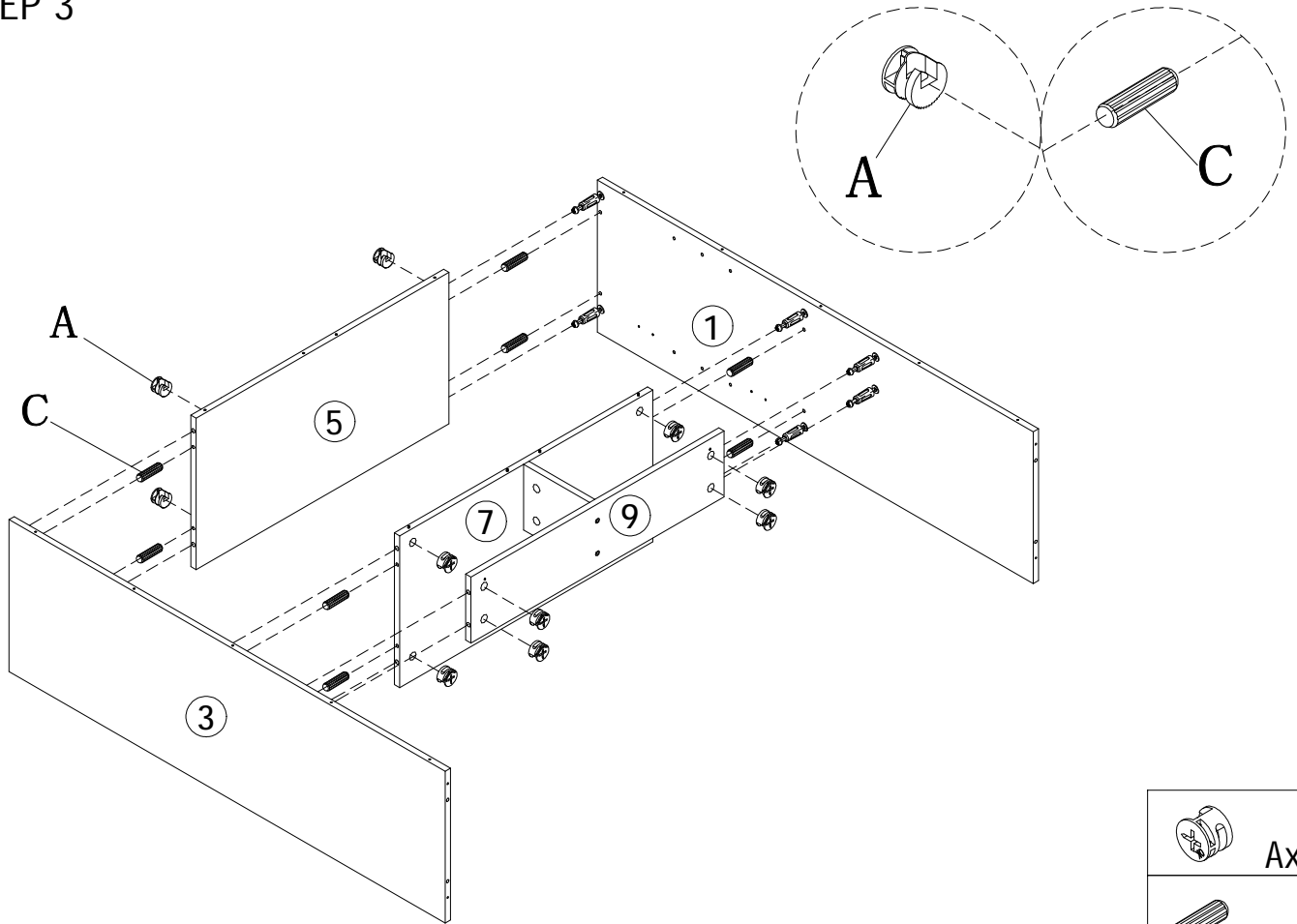
STEP 1



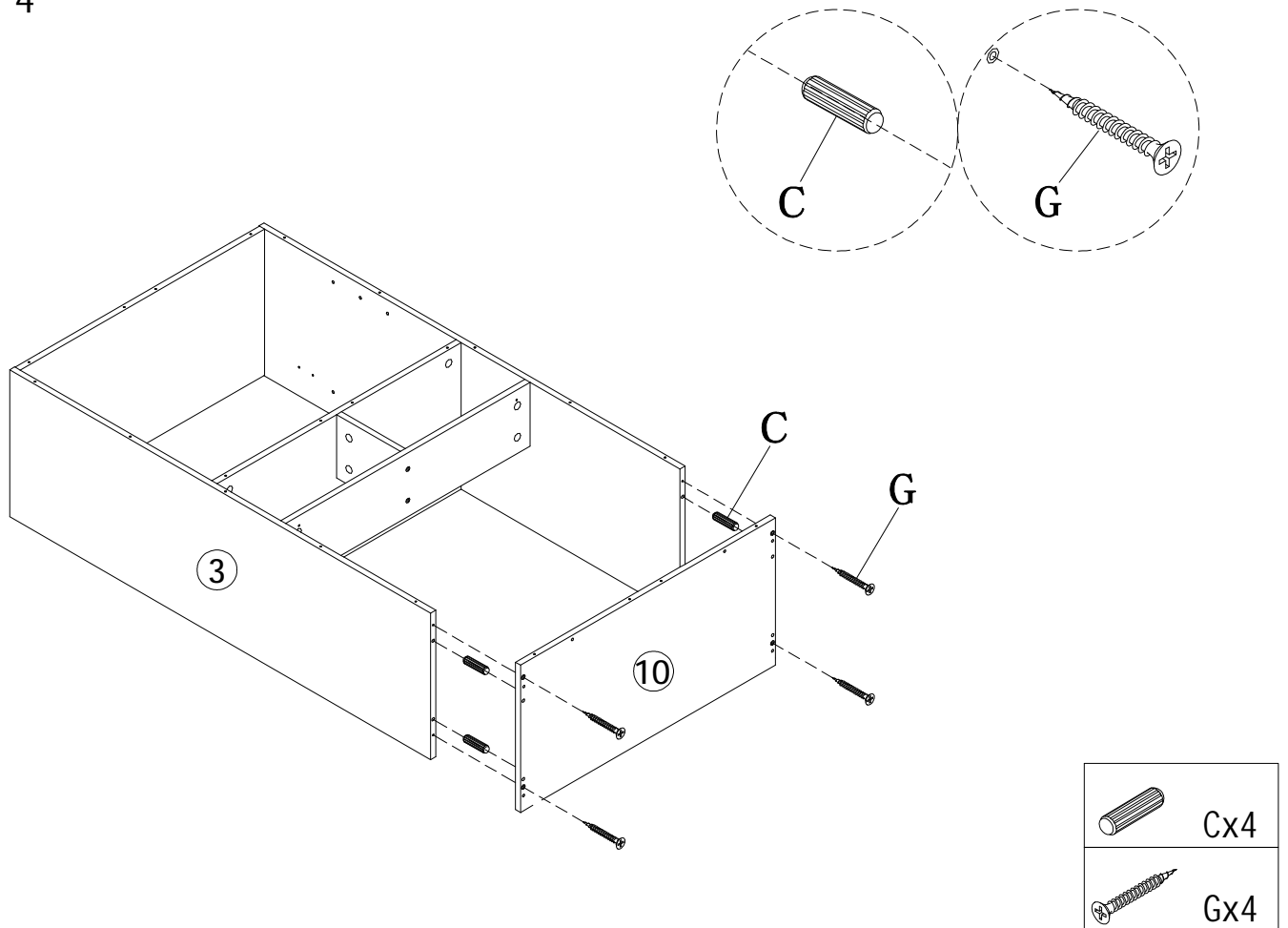
STEP 2



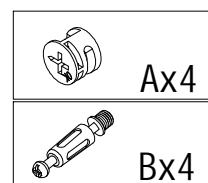
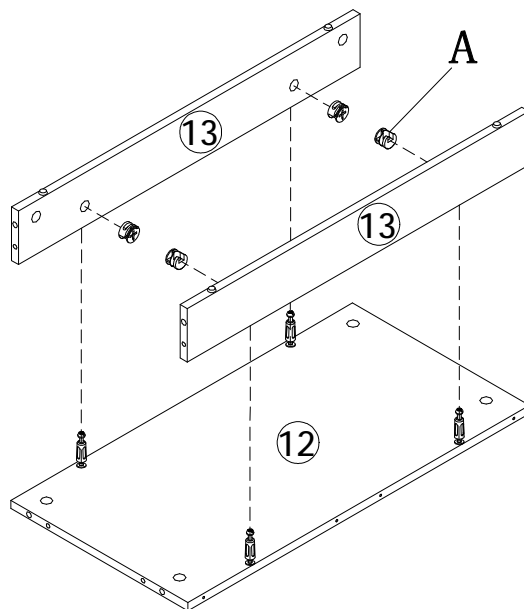
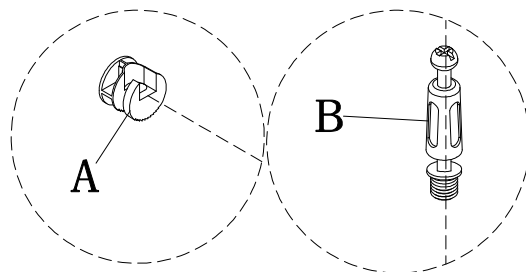
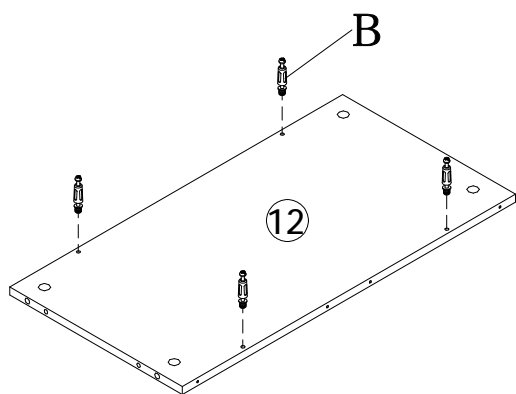
STEP 3



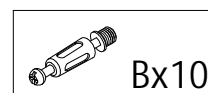
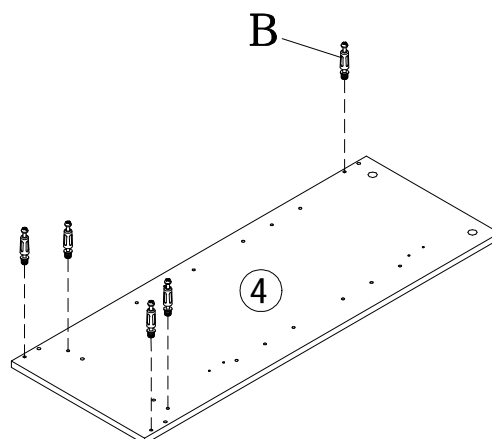
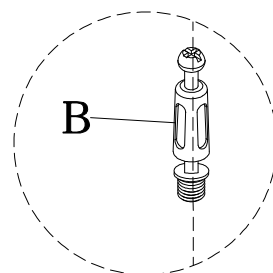
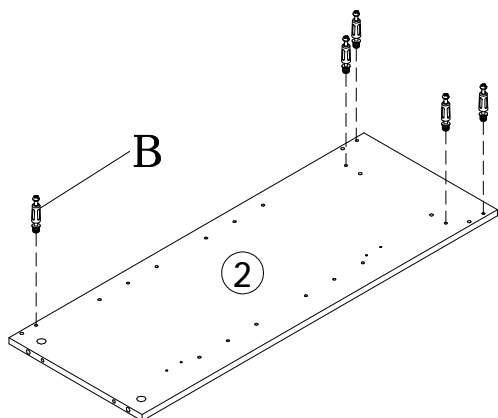
STEP 4



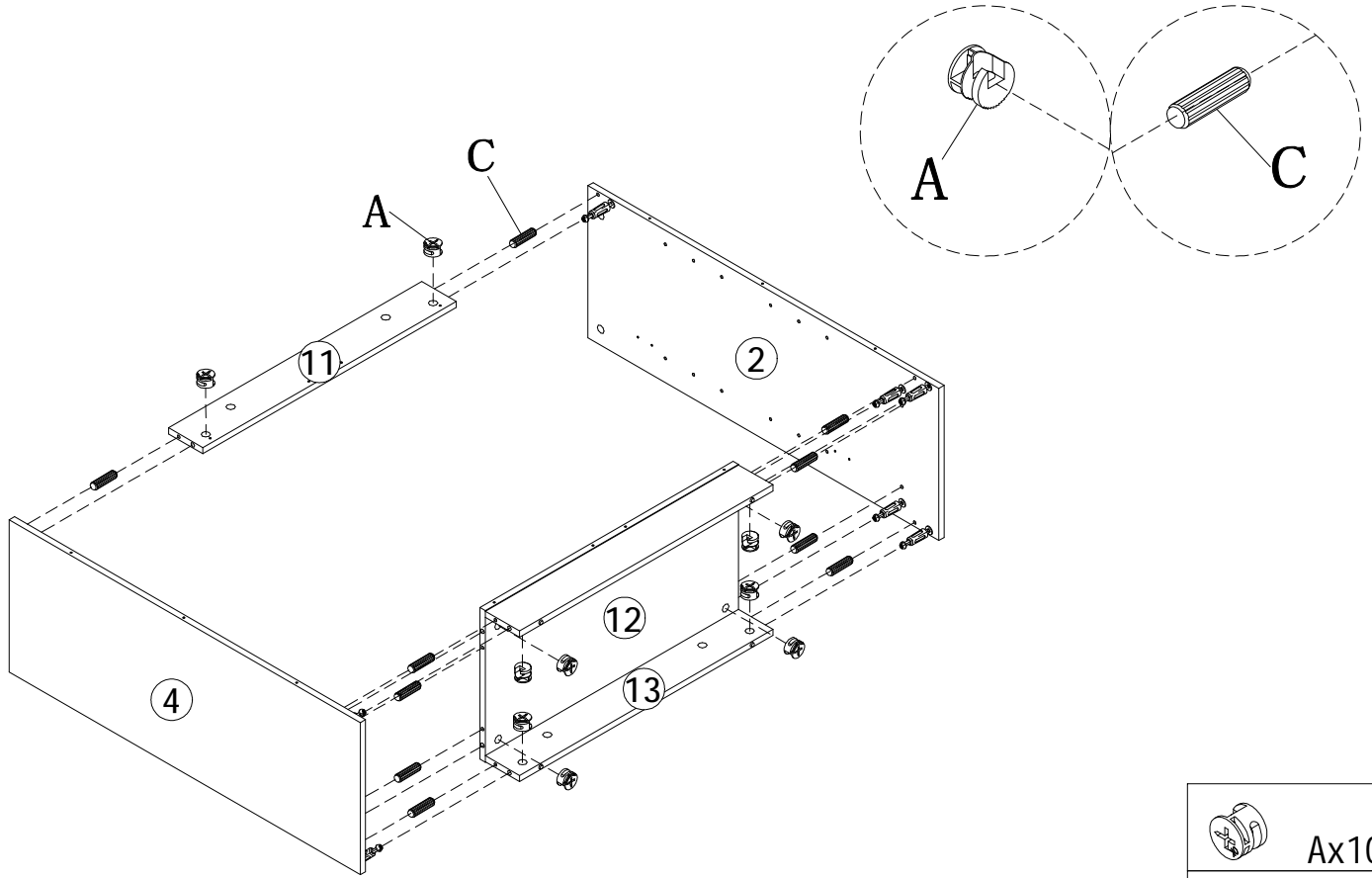
STEP 5


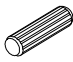


STEP 6

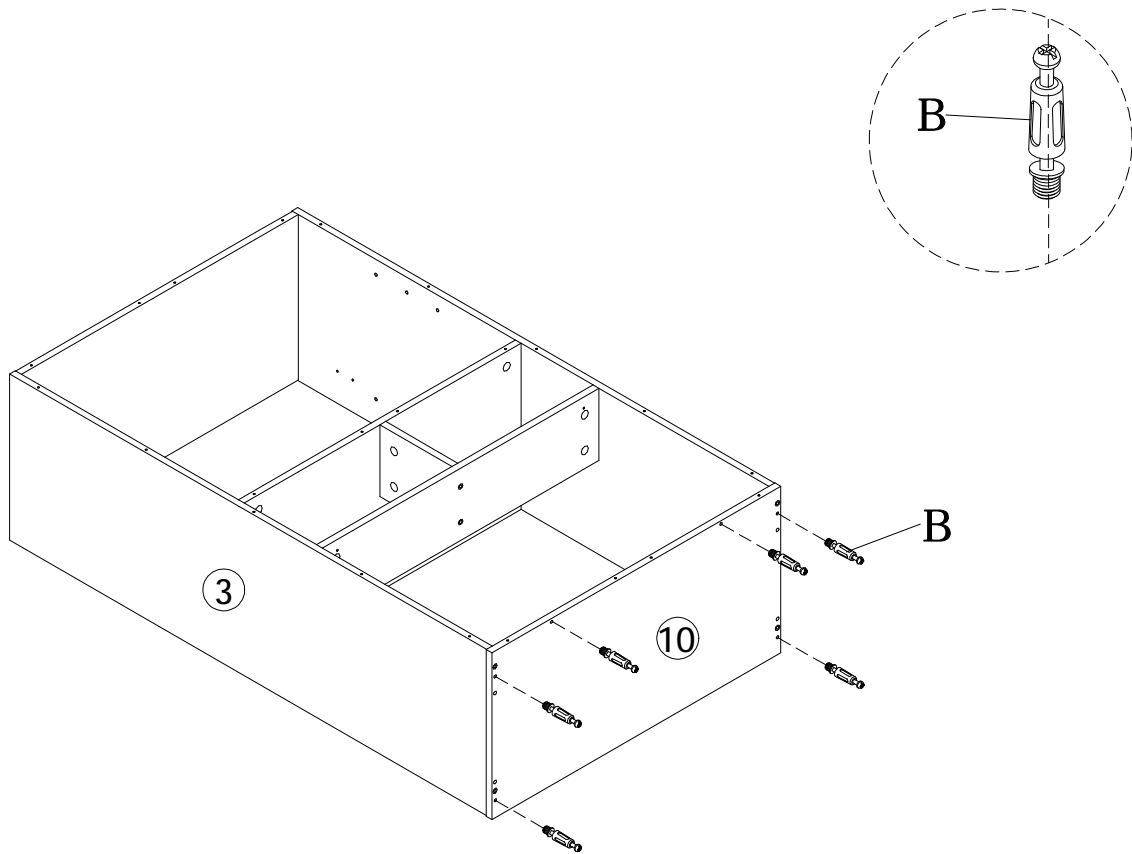



STEP 7



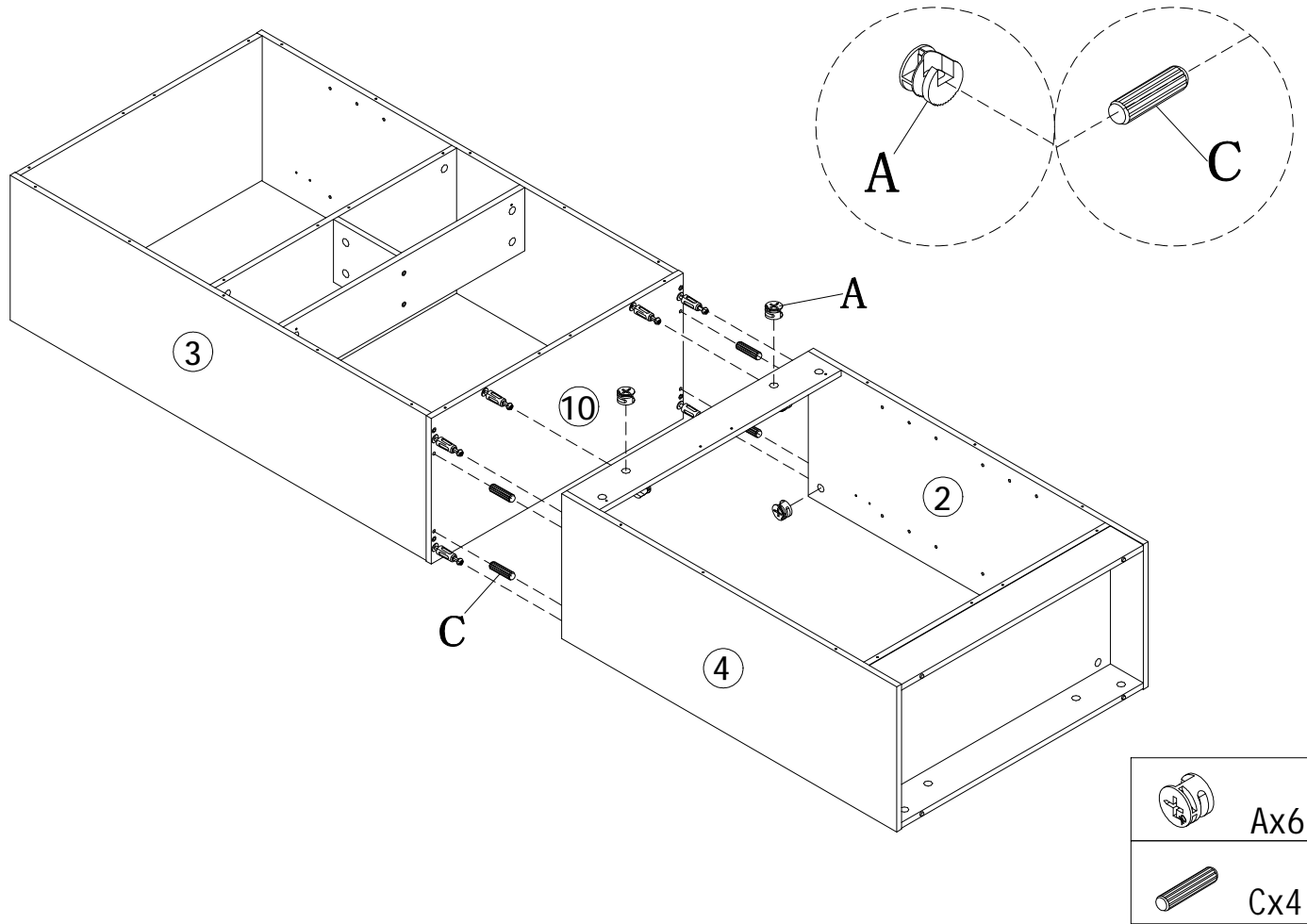
	Ax10
	Cx10

STEP 8

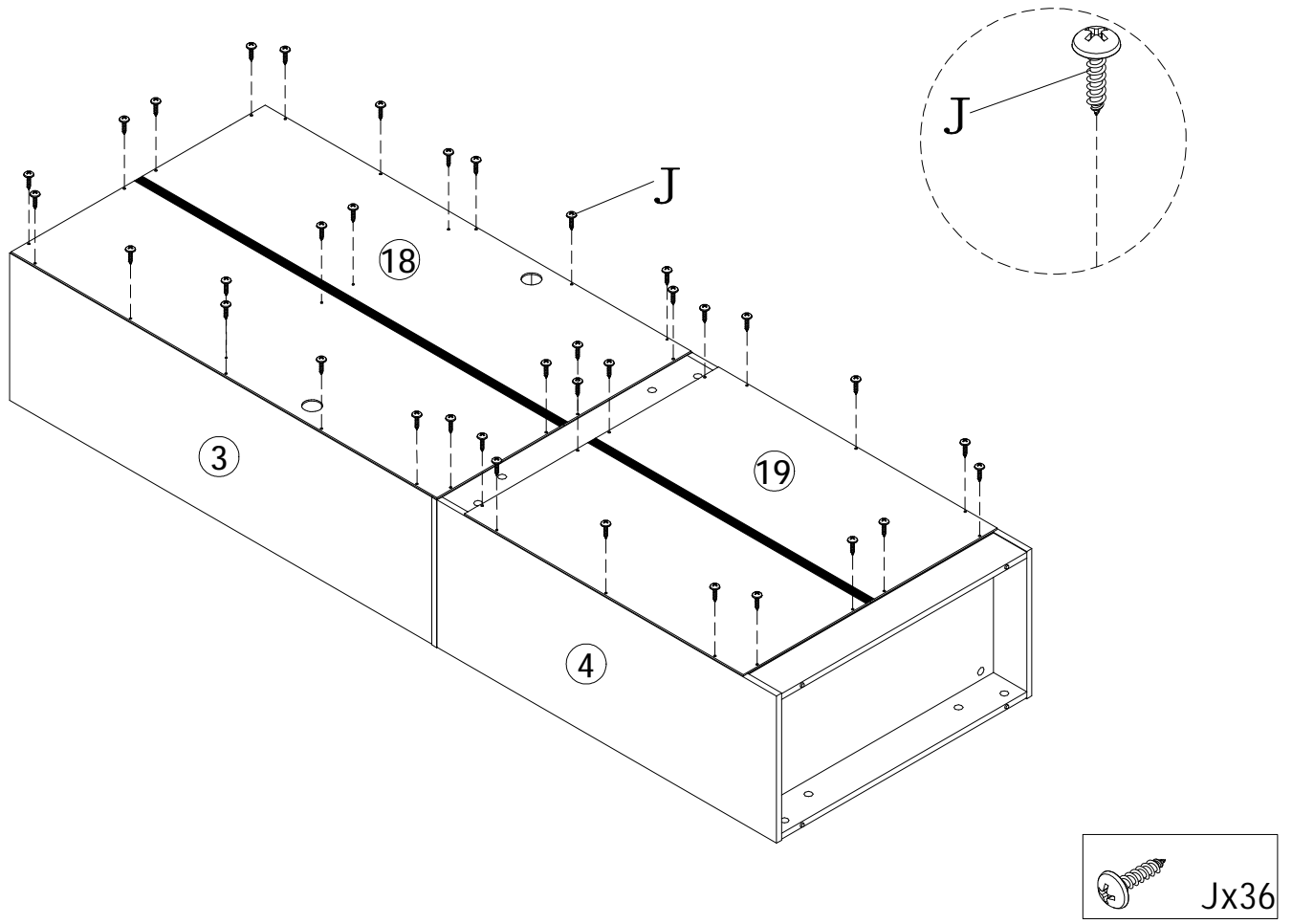


	Bx6
---	-----

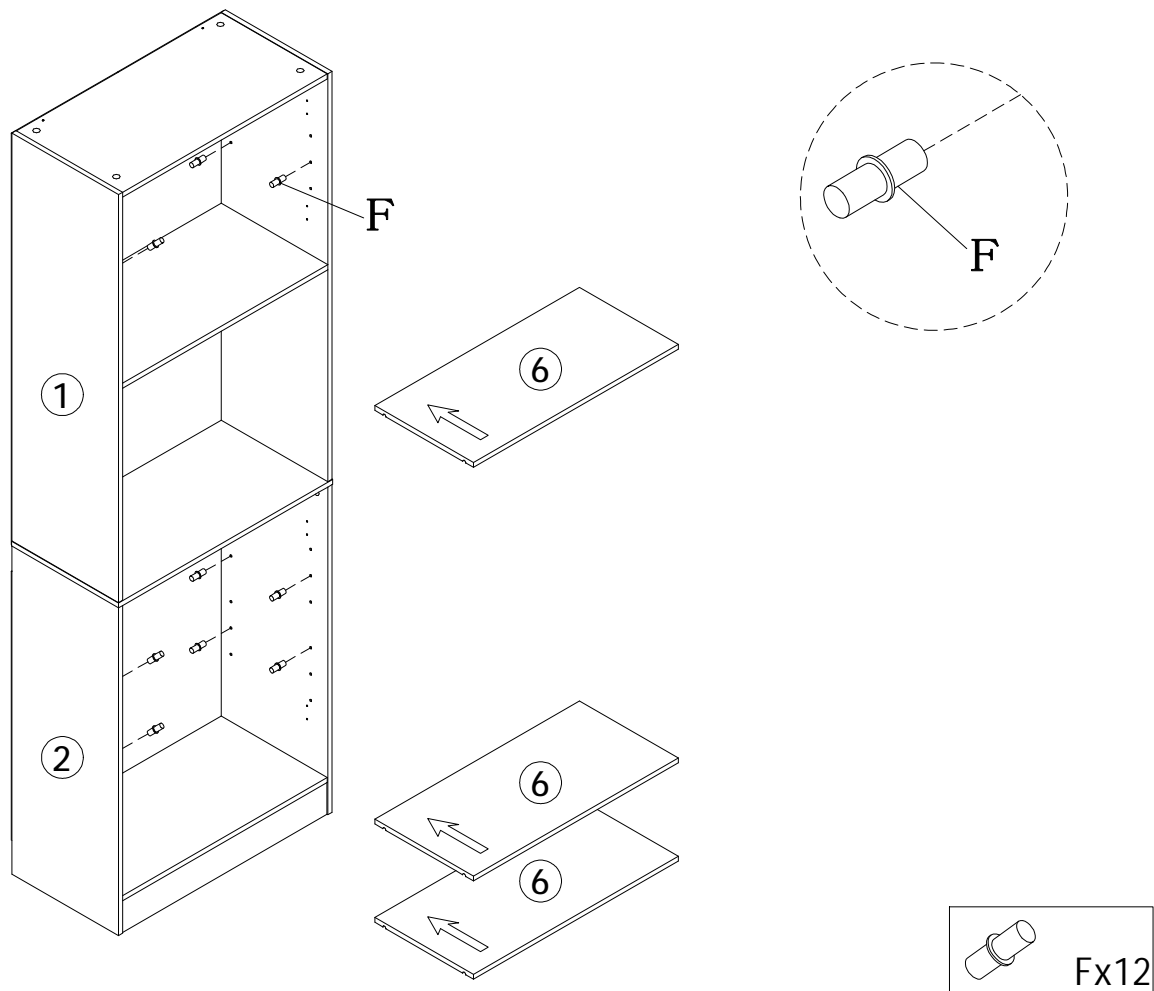
STEP 9



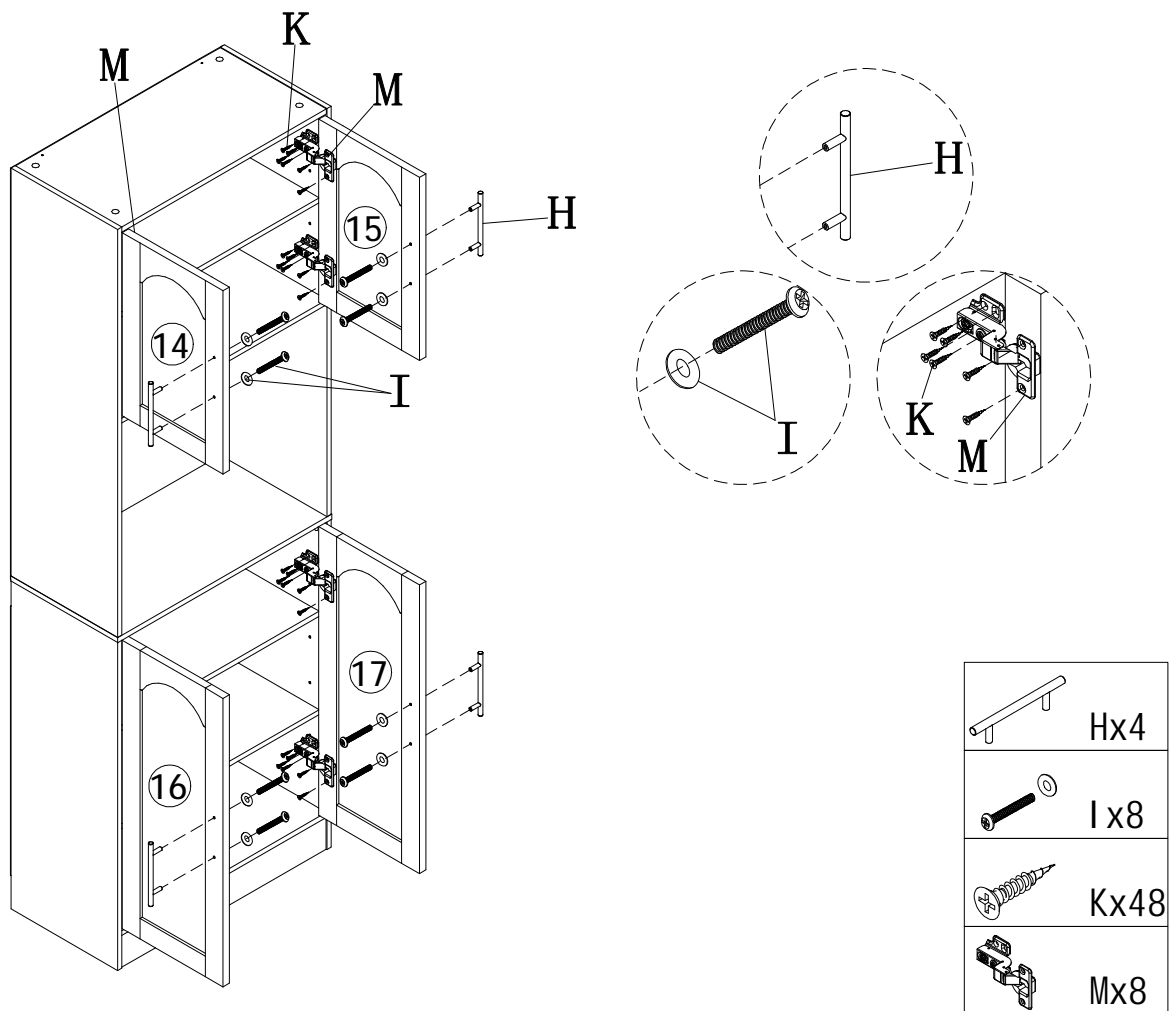
STEP 10



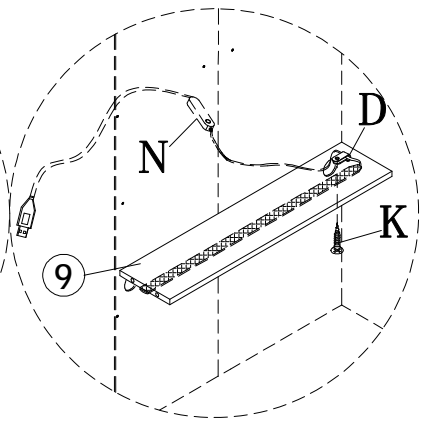
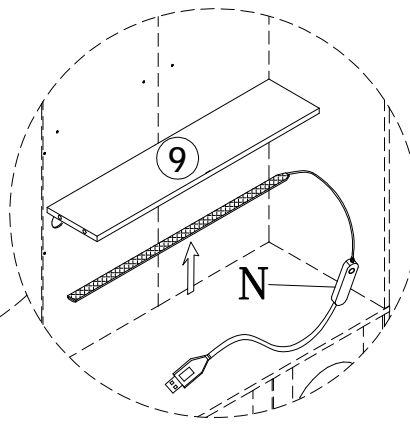
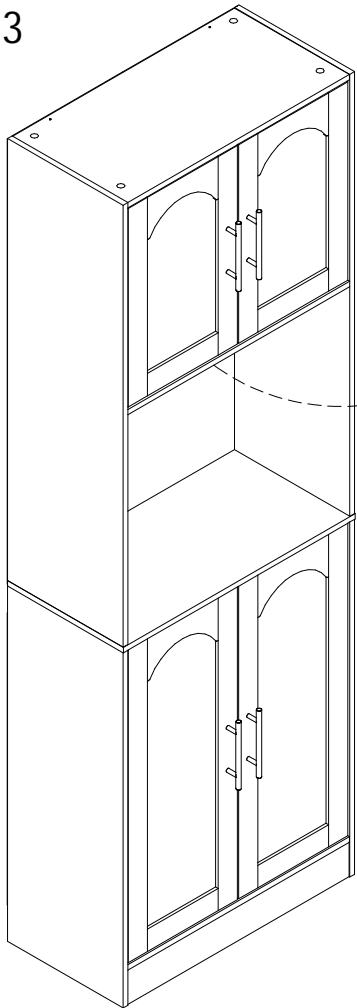
STEP 11



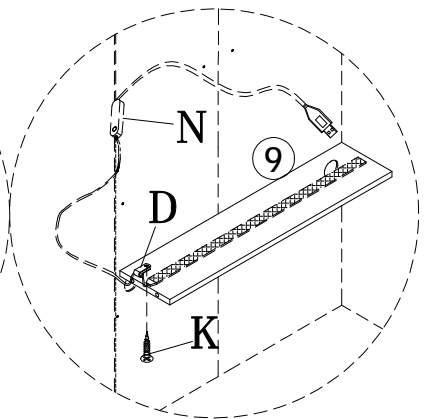
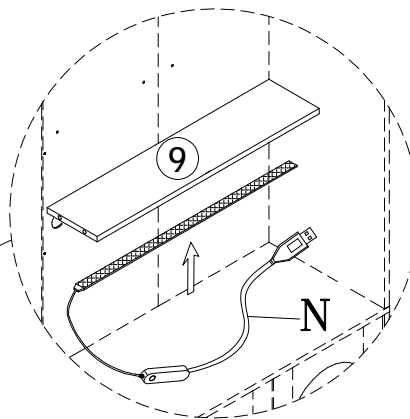
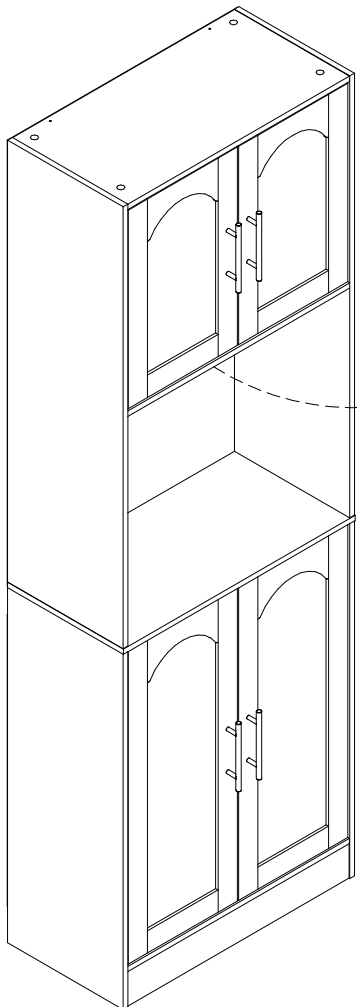
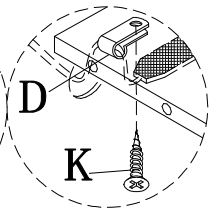
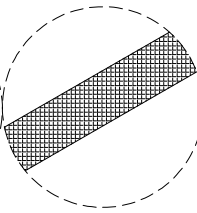
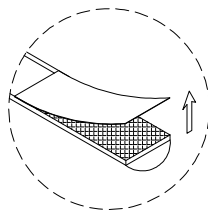
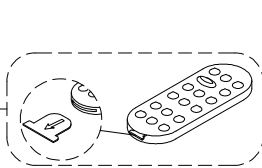
STEP 12



STEP 13

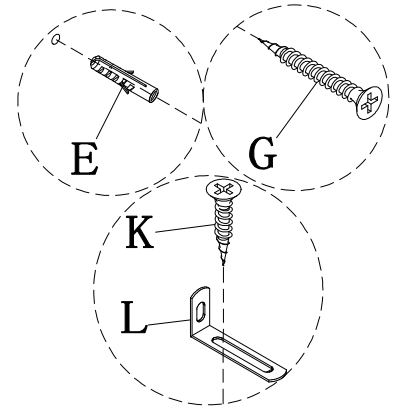
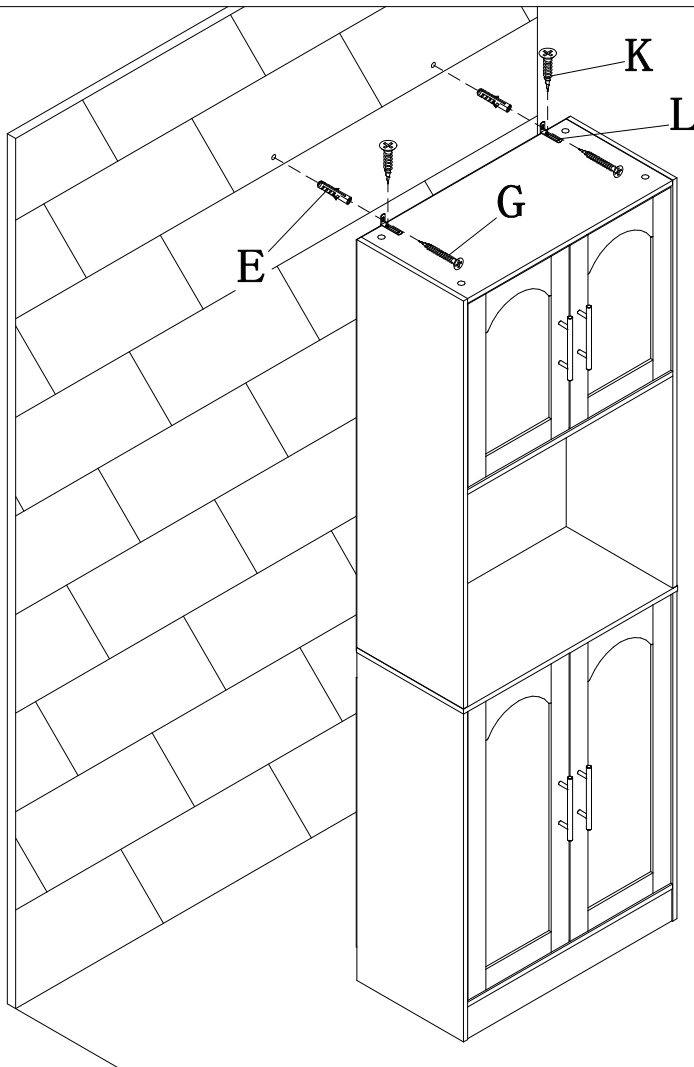



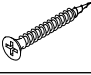
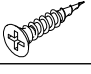

Or

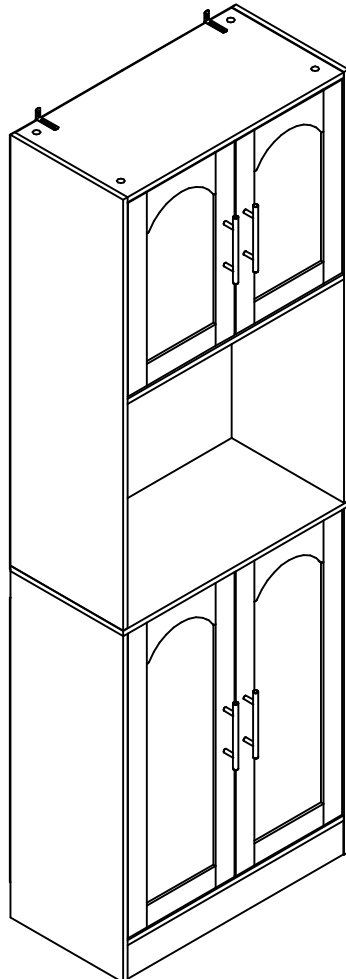


	Dx1
	Kx1
	Nx1

STEP 14



	Ex2
	Gx2
	Kx2
	Lx2



IMPORTANT SAFETY INFORMATION

Please carefully read the following instructions and caution warnings before assembling the product. Following this guide will ensure that you install, use and maintain the product properly.

- Please keep this installation and user manual/instructions for future reference in case you need to disassemble the product.
- Do not assemble if you notice serious damage such as cracks or bends.
- During installation, please use work gloves for hand safety.
- Please assemble the unit on carpeted floor or the flat cardboard box to avoid scratching the surface or your floor while assembling on the floor.
- To assemble, please use the complimentary installation tools (Phillips screwdriver). Pay more attention to the direction of components at each steps.
- It is recommended that two people work together to assemble the product.
- Please do not tighten the screws up too much, just to 80% before you finish to make the installation successful.

RETURN POLICY

- We believe you will absolutely love your new product. But for some reason you want to return your item, please contact us within 30 days after receiving and ensure that the product which you want to return is in a good condition in the original box with all original certificates of purchase, manuals and accessories attached.

HOW TO MAINTAIN YOUR PRODUCT:

- Check the screws of the product are not loose from regular use.
- Do not use sharp instruments, rubbing alcohol, corrosive chemicals, or abrasive cleaners to clean the product.
- Do not keep the product in a damp environment for a long period of time. The damp environment may cause the iron components to rust and the plates to bulge and crack.

How to find us?

Customer Service

Email: support@idealhouse.vip