







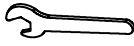
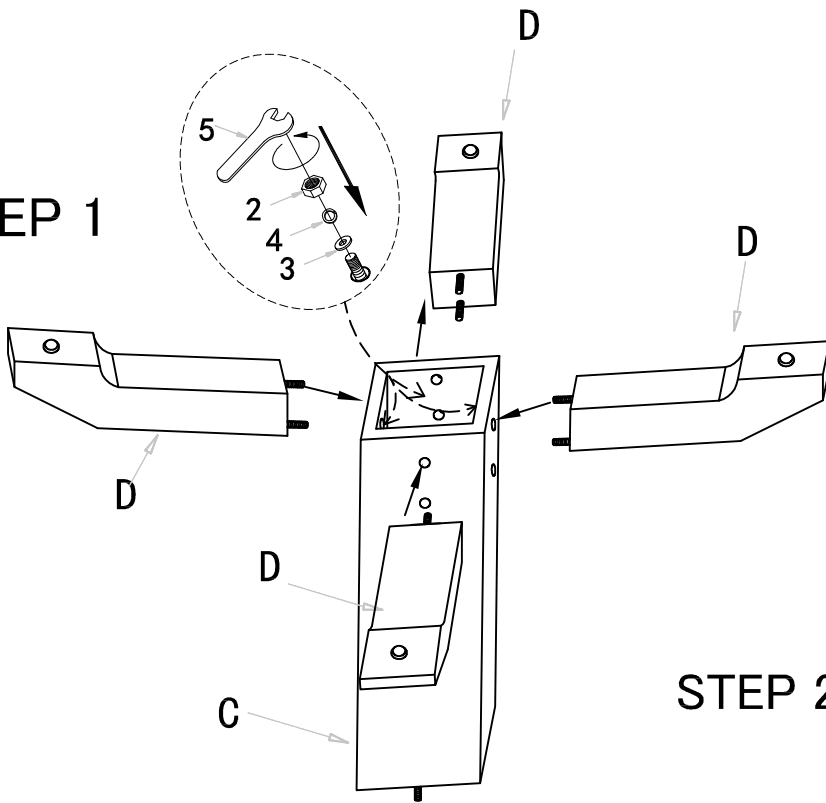


Assembly Instruction

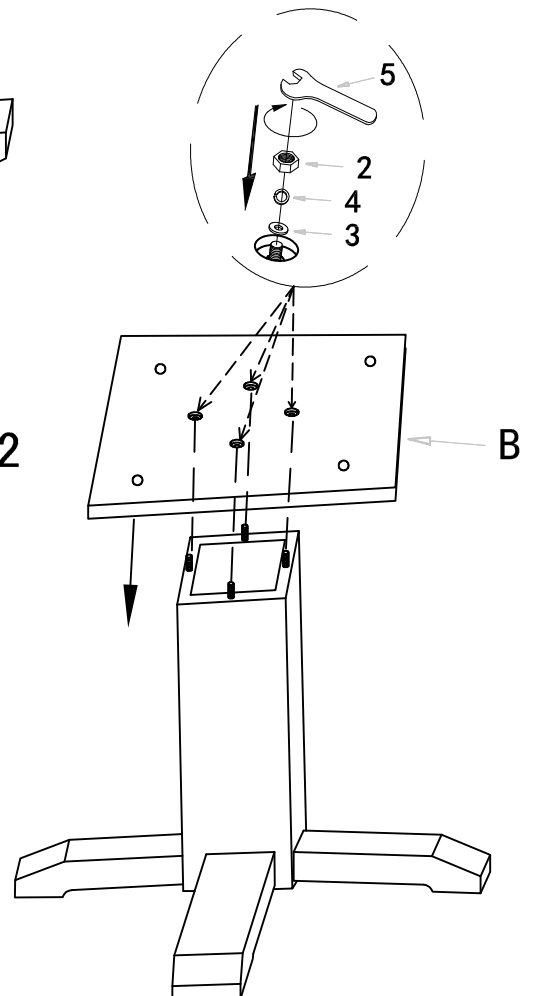
NO.	Parts List		Q'TY
A		Table Top	1
B		Mounting Plate	1
C		Pedestal	1
D		Feet	4

NO.	Hardware List		Q'TY
1		∅ 5/16*1-3/4" Allen Bolt	4
2		∅ 5/16 Hex Nut	12
3		Flat Washer(8*19*2mm)	16
4		Spring Washer(8mm)	16
5		Open Wrench(13mm)	1

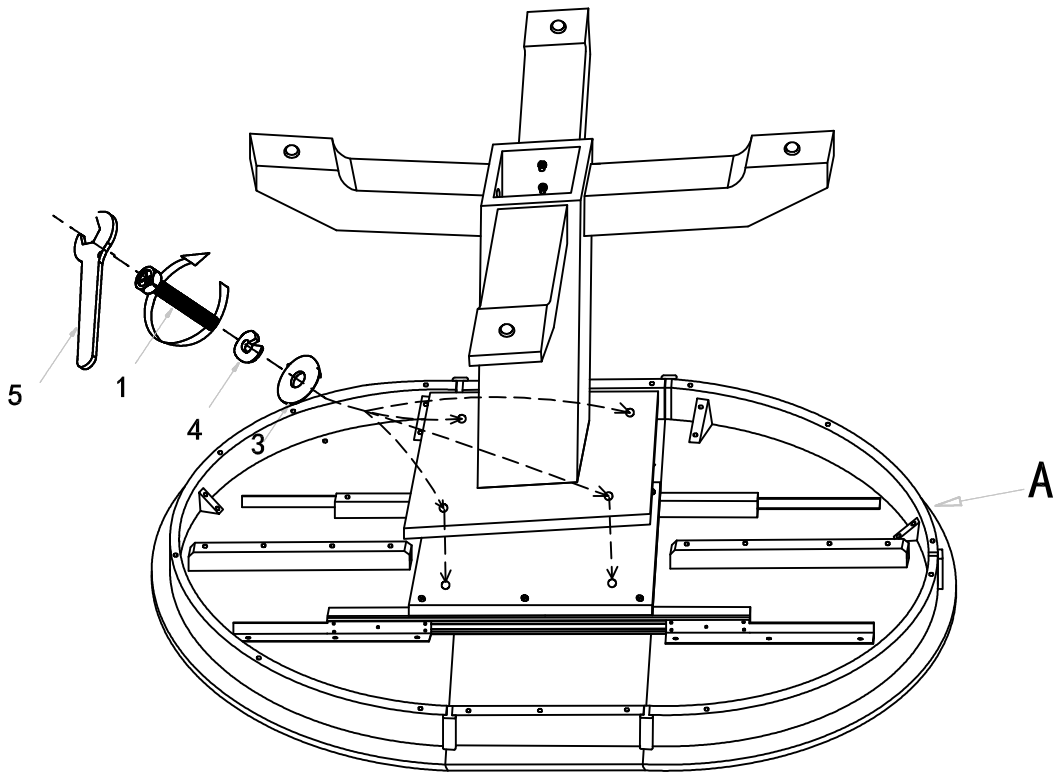
STEP 1



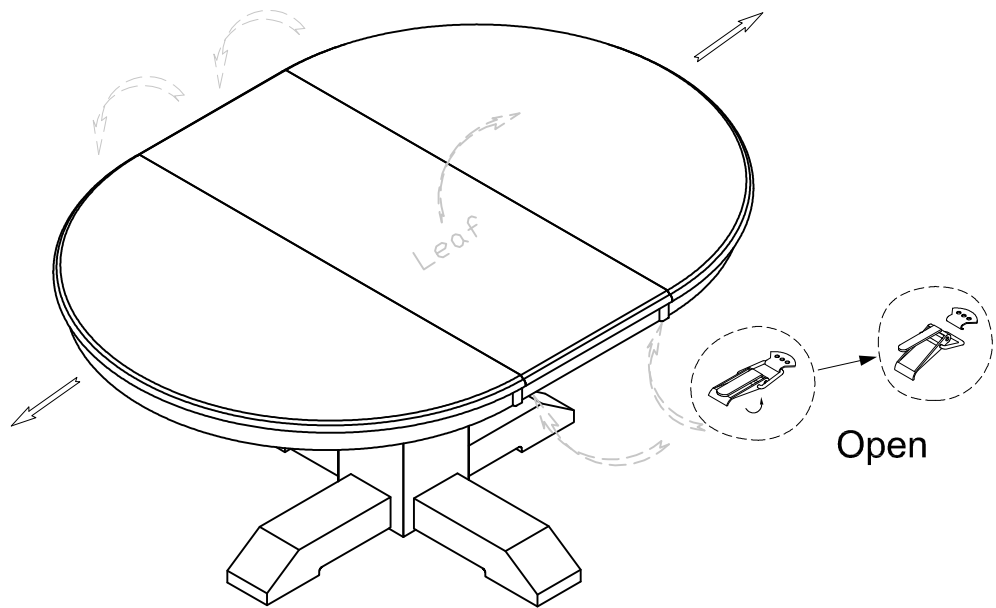
STEP 2



STEP 3



STEP 4



STEP 5

