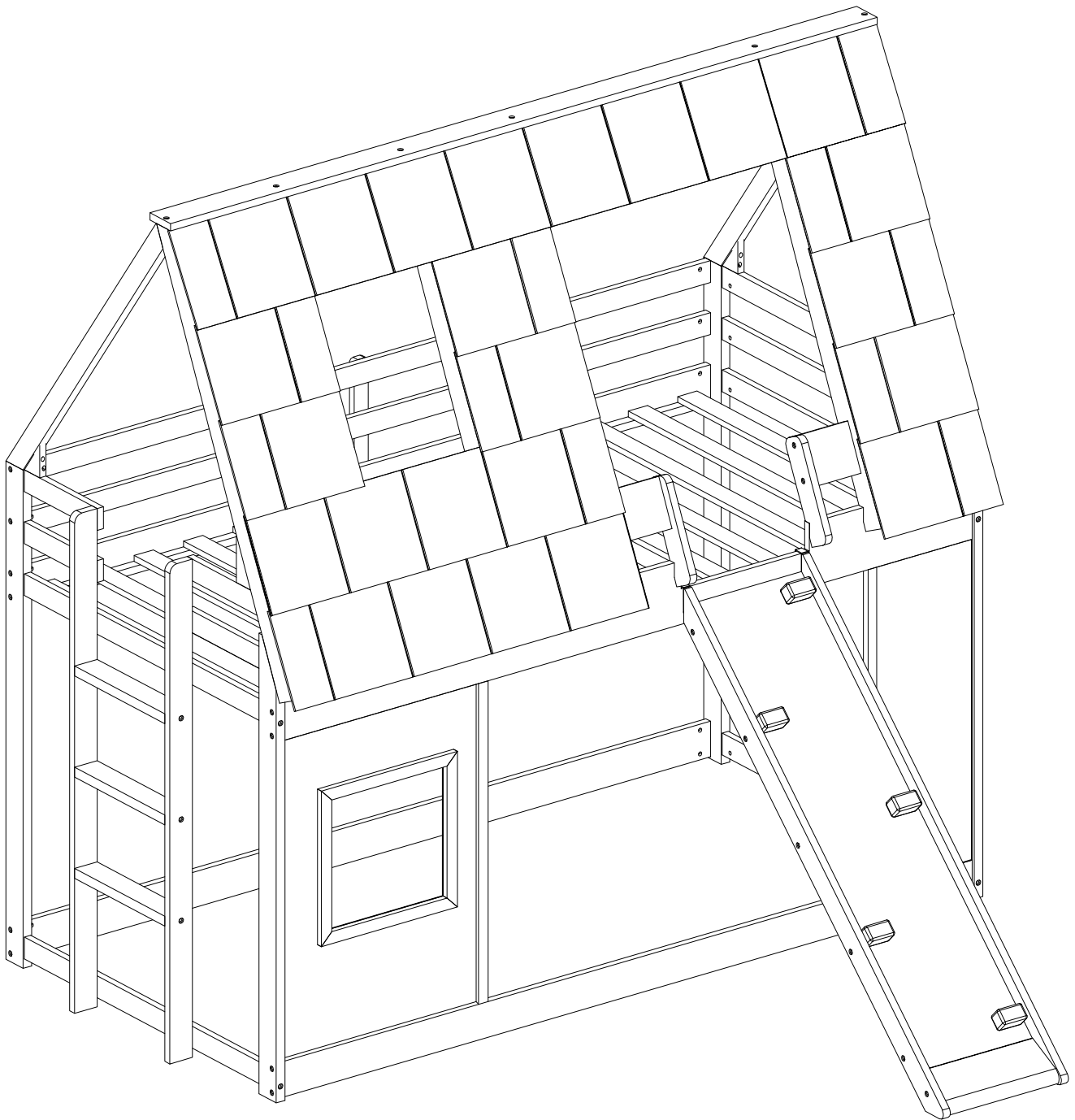


ASSEMBLY INSTRUCTION





SAFETY WARNINGS



1. This bed is designed for use only mattress(es) meeting the following specifications on the upper bunk:
Upper bunk (bunk bed and tribed included)

Upper bed

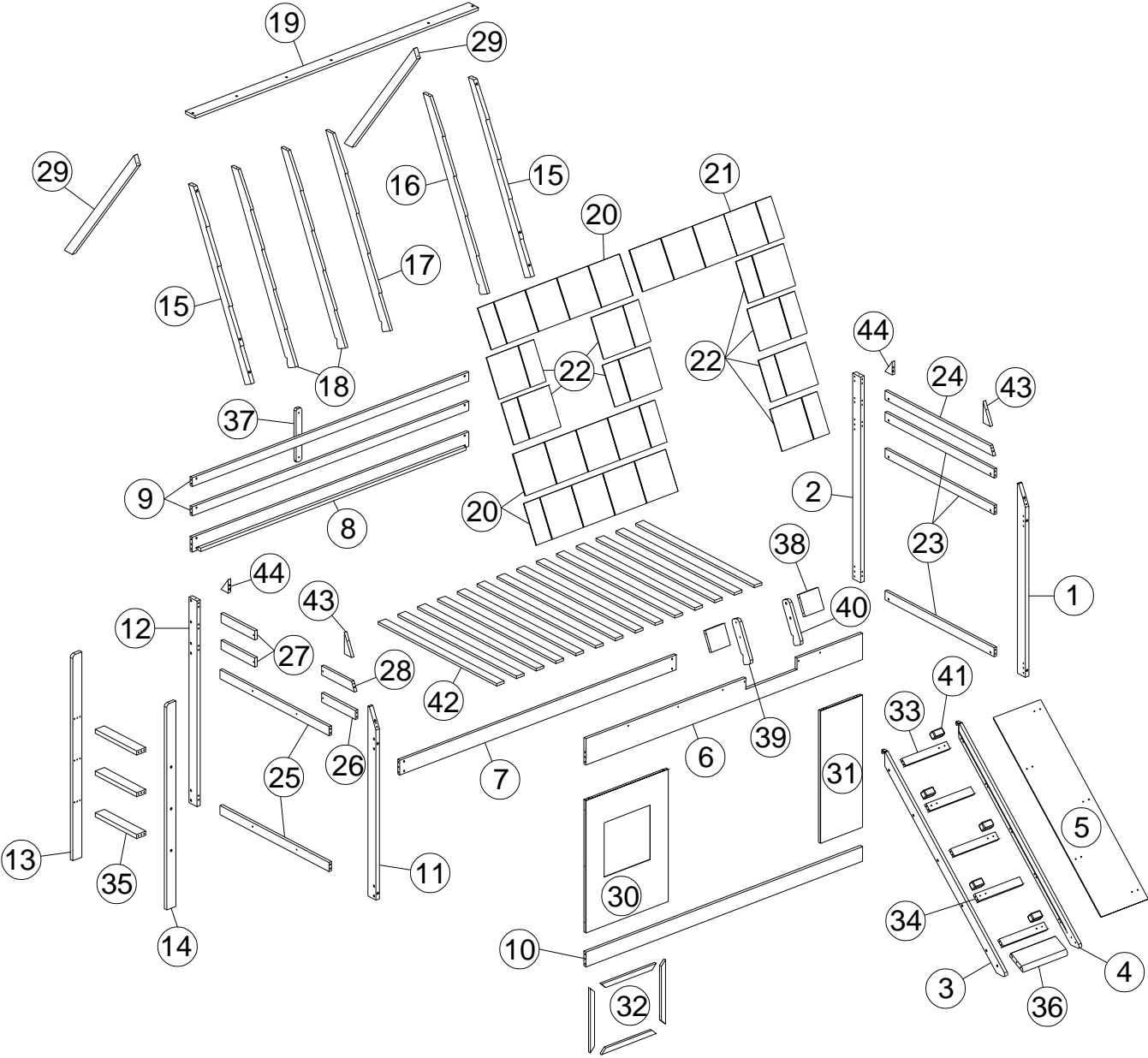
<i>Bed Type</i>	<i>Length</i>	<i>Width</i>	<i>Thickness</i>
<i>Twin Standard</i>	<i>74"-75"</i>	<i>38 1/2"</i>	<i>6" max</i>

Lower bed

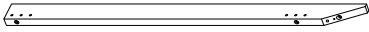
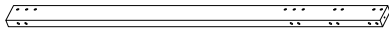


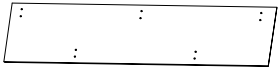





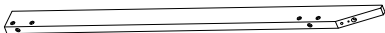
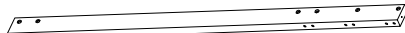
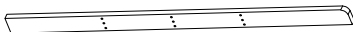





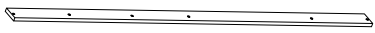


<i>Bed Type</i>	<i>Length</i>	<i>Width</i>	<i>Thickness</i>
<i>Twin Standard</i>	<i>74"-75"</i>	<i>38 1/2"</i>	<i>6" max</i>

2. Follow the information on the warnings appearing on the upper bunk bed end structure and on the carton. Do not remove warning label from bed.
3. Always use the recommended size mattresses or mattress supports, or both, to help prevent the likelihood of entrapment or falls.
4. Surface of the mattress must be at least 5". (127 mm) below the upper edge of guardrails.
5. Do not allow children under 6 years of age to use the upper bunk.
6. Periodically check and ensure that the guardrail, ladder, and other components are in their proper position, free from damage, and that all connectors are tight.
7. Do not allow horseplay on or under the bed and prohibit jumping on the bed
8. Always use the ladder for entering and leaving the upper bunk.
9. Do not use substitute parts. Contact the manufacturer or dealer for replacement parts.
10. Use of a night light may provided added safety precaution for a child using the upper bunk.
11. Always use guardrails on both long sides of the upper bunk. If the bunk bed will be placed next to the wall, the guardrail that runs the full length of the bed should be placed against the wall to prevent entrapment between the bed and wall.
12. The use of water or sleep flotation mattresses is prohibited.
13. STRANGULATION HAZARD - Never attach or hang items to any part of the bunk bed that are not designed for use with the bed; for example, but not limited to, hook, belts and jump ropes.
14. Keep these instructions for future reference
15. Prohibit more than one person on upper bunk.
16. We recommend assembling your bunk bed on the shipping carton to protect your floor or carpet.
17. Be certain all staples are out of the box before beginning assembly on the shipping carton.

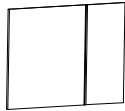





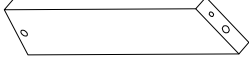

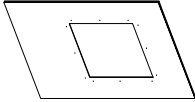






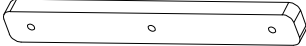
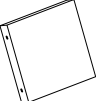
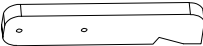


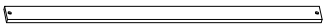

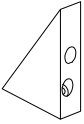
Detail:




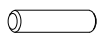



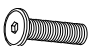






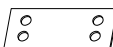


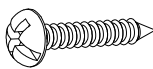
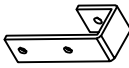

Part List & Hardware List (Box 2)

① x1  Leg	② x1  Leg
③ x1  Woodbar	④ x1  Woodbar
⑤ x1  Panel	⑥ x1  Side Rail
⑦ x1  Side Rail	⑧ x1  Side Rail
⑨ x2  Woodbar	⑩ x1  Side Rail
⑪ x1  Leg	⑫ x1  Leg
⑬ x1  Woodbar	⑭ x1  Woodbar
⑮ x2  Woodbar	⑯ x1  Woodbar
⑰ x1  Woodbar	⑱ x2  Woodbar
⑲ x1  Woodbar	⑳ x3  Panel
㉑ x1  Panel	

Part List (Box 1)

<p>②② x8</p>  <p style="text-align: center;">Panel</p>	<p>②③ x3</p>  <p style="text-align: center;">Woodbar</p>
<p>②④ x1</p>  <p style="text-align: center;">Woodbar</p>	<p>②⑤ x2</p>  <p style="text-align: center;">Woodbar</p>
<p>②⑥ x1</p>  <p style="text-align: center;">Woodbar</p>	<p>②⑦ x2</p>  <p style="text-align: center;">Woodbar</p>
<p>②⑧ x1</p>  <p style="text-align: center;">Woodbar</p>	<p>②⑨ x2</p>  <p style="text-align: center;">Woodbar</p>
<p>③① x1</p>  <p style="text-align: center;">Panel</p>	<p>③② x1</p>  <p style="text-align: center;">Panel</p>
<p>③③ x4</p>  <p style="text-align: center;">Woodbar</p>	<p>③④ x3</p>  <p style="text-align: center;">Woodbar</p>
<p>③⑤ x2</p>  <p style="text-align: center;">Woodbar</p>	<p>③⑥ x3</p>  <p style="text-align: center;">Woodbar</p>
<p>③⑦ x1</p>  <p style="text-align: center;">Woodbar</p>	<p>③⑧ x1</p>  <p style="text-align: center;">Woodbar</p>
<p>③⑨ x2</p>  <p style="text-align: center;">Woodbar</p>	<p>④① x1</p>  <p style="text-align: center;">Woodbar</p>
<p>④② x1</p>  <p style="text-align: center;">Woodbar</p>	<p>④③ x5</p>  <p style="text-align: center;">Woodbar</p>
<p>④④ x14</p>  <p style="text-align: center;">Slats</p>	<p>④⑤ x2</p>  <p style="text-align: center;">Corner plate</p>
<p>④⑥ x2</p>  <p style="text-align: center;">Corner plate</p>	




Hardware List(Box 2)

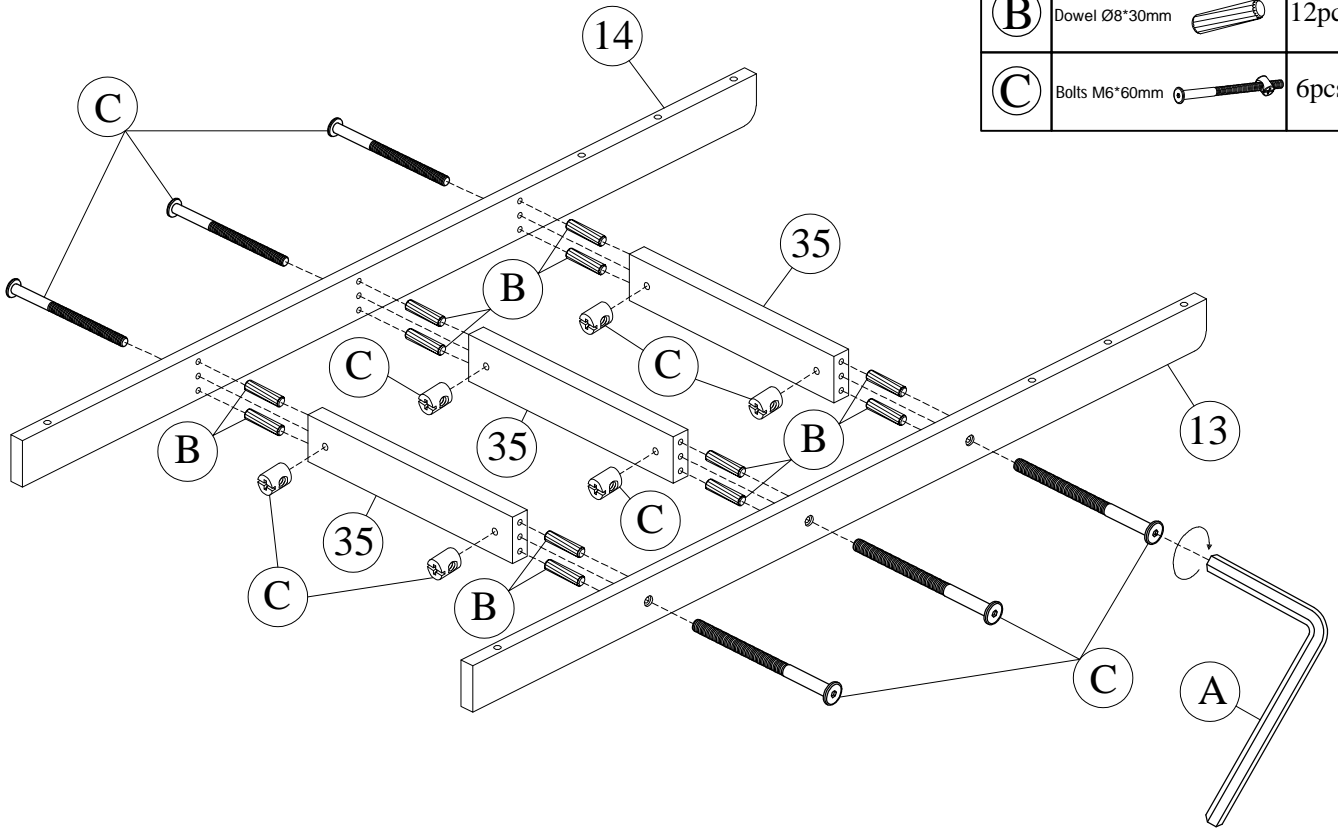
No.	OUTLOOK	DESC	QTY
(A)		Allen key 60*22*4mm	1pc
(B)		Dowel Ø8*30mm	56pcs
(C)		Bolts M6*60mm	38pcs
(D)		Bolts M6*70mm	2pcs
(E)		Bolts M6*100mm	12pcs
(F)		Bolts M6*35mm	18pcs
(G)		Screws M6*50mm	4pcs
(H)		Screws M6*70mm	8pcs
(I)		Screws M6*30mm	3pcs
(J)		Screws M6*40mm	20pcs
(K)		Flat head screw #8*30mm	36pcs
(L)		Flat head screw #3*10mm	2pcs
(M)		Metal Bracket	2pcs
(N)		Metal L Bracket	4pcs
(O)		Flat head screw #8*25mm	52pcs
(P)		Round head screw #7*12mm	20pcs
(Q)		Bracket	2pcs
(Z)		Flat head screw #3.5*12mm	4pcs

ASSEMBLY TOOLS REQUIRED (NOT INCLUDED)







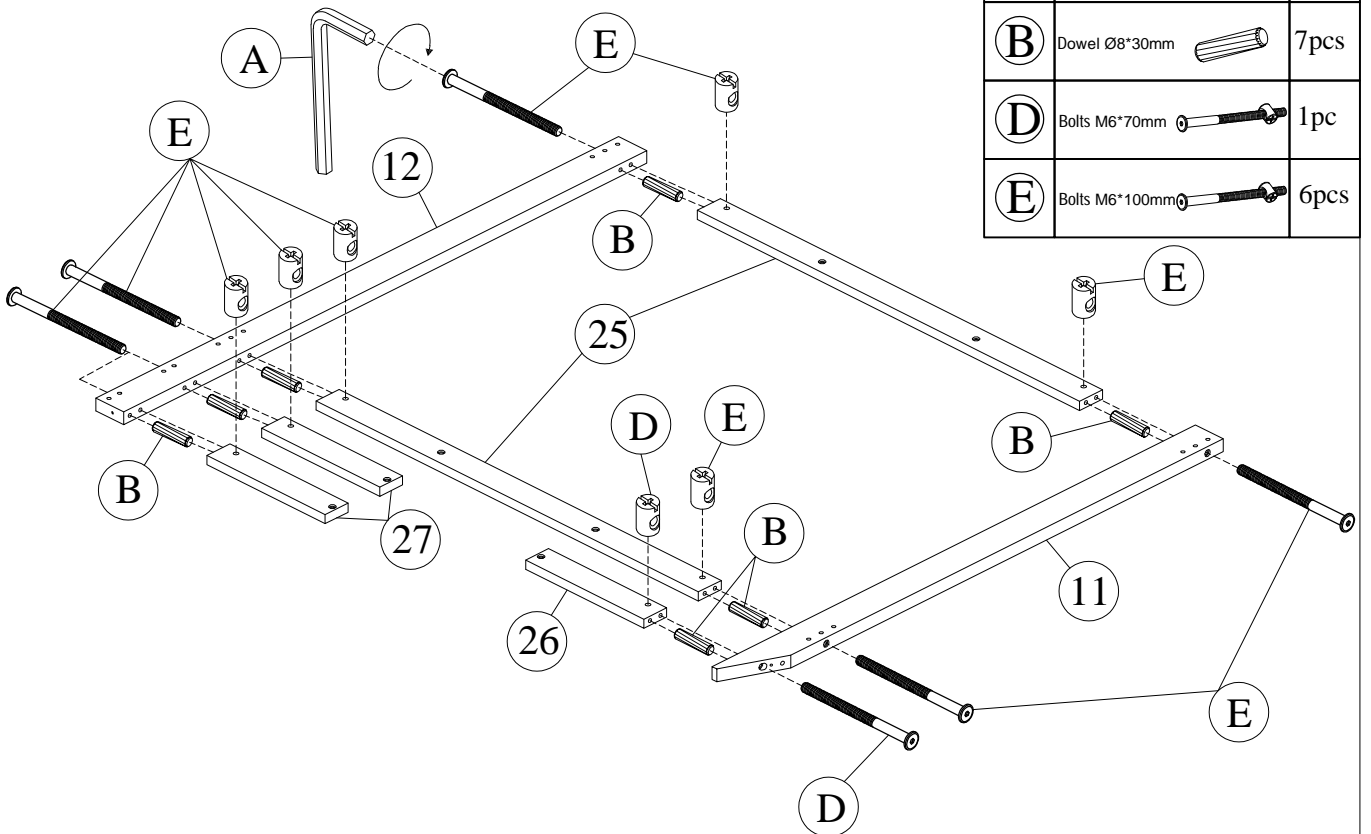
STEP 1

(A)	4*75mm		1pc
(B)	Dowel Ø8*30mm		12pcs
(C)	Bolts M6*60mm		6pcs

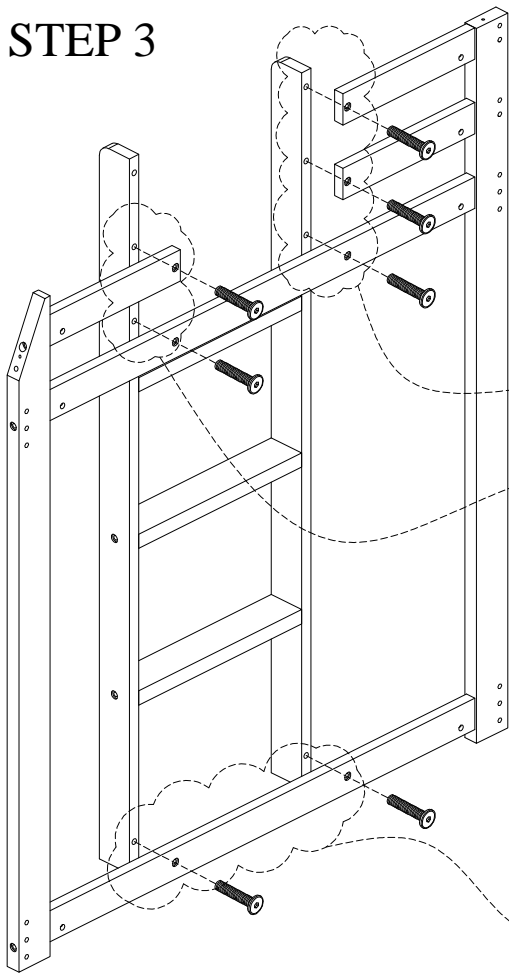




STEP 2

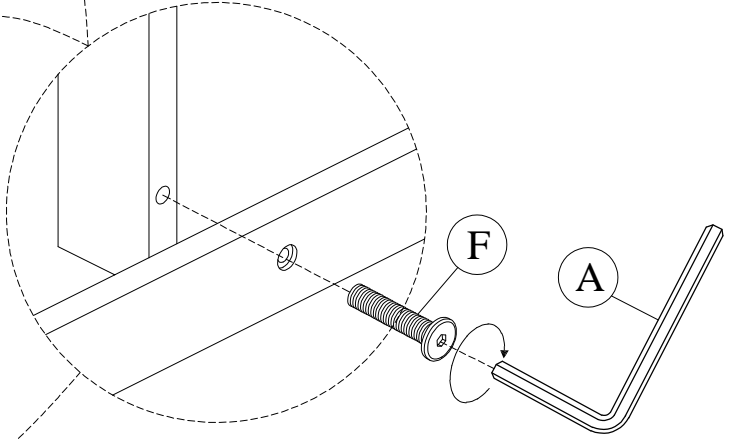
(A)	4*75mm		1pc
(B)	Dowel Ø8*30mm		7pcs
(D)	Bolts M6*70mm		1pc
(E)	Bolts M6*100mm		6pcs



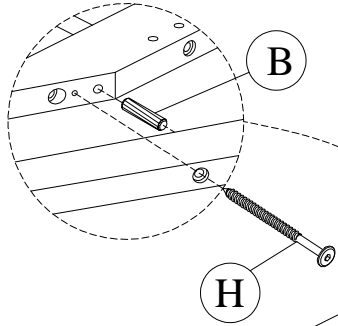
STEP 3

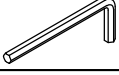
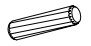




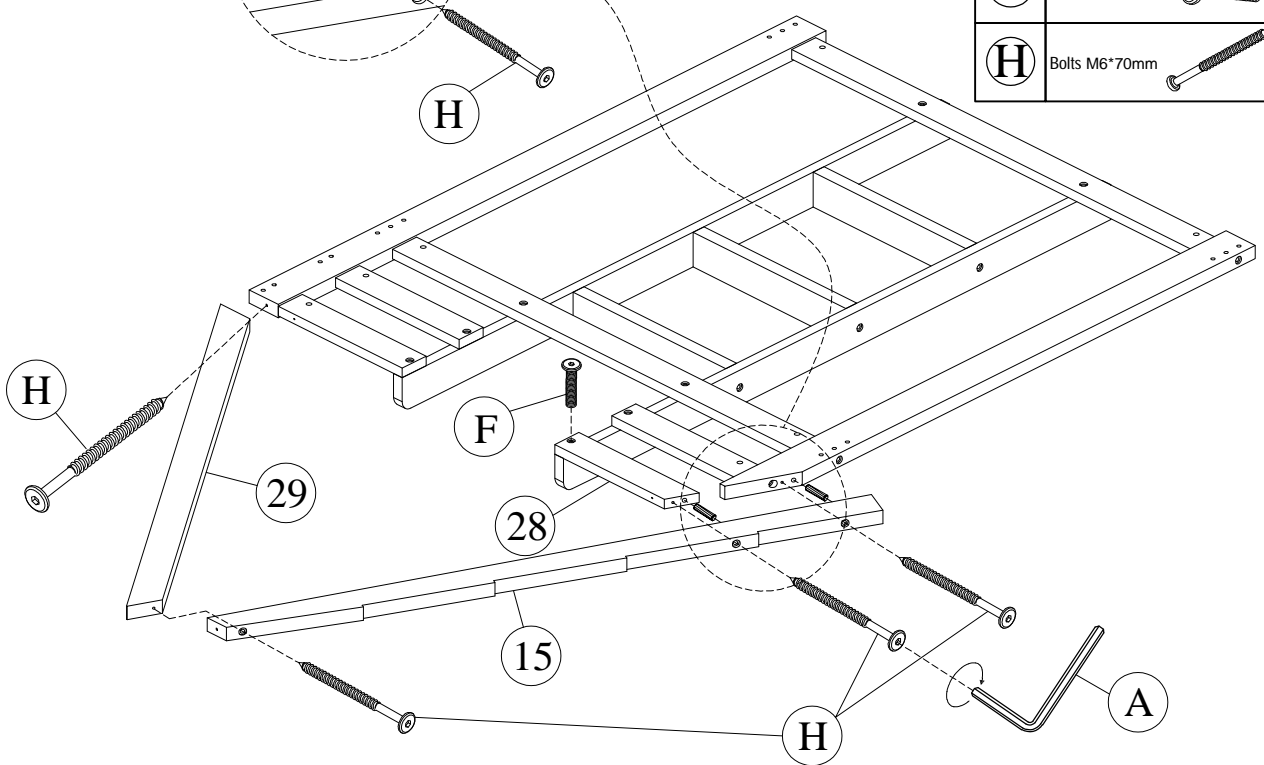
(A)	4*75mm		1pc
(F)	Bolts M6*35mm		7pcs







STEP 4

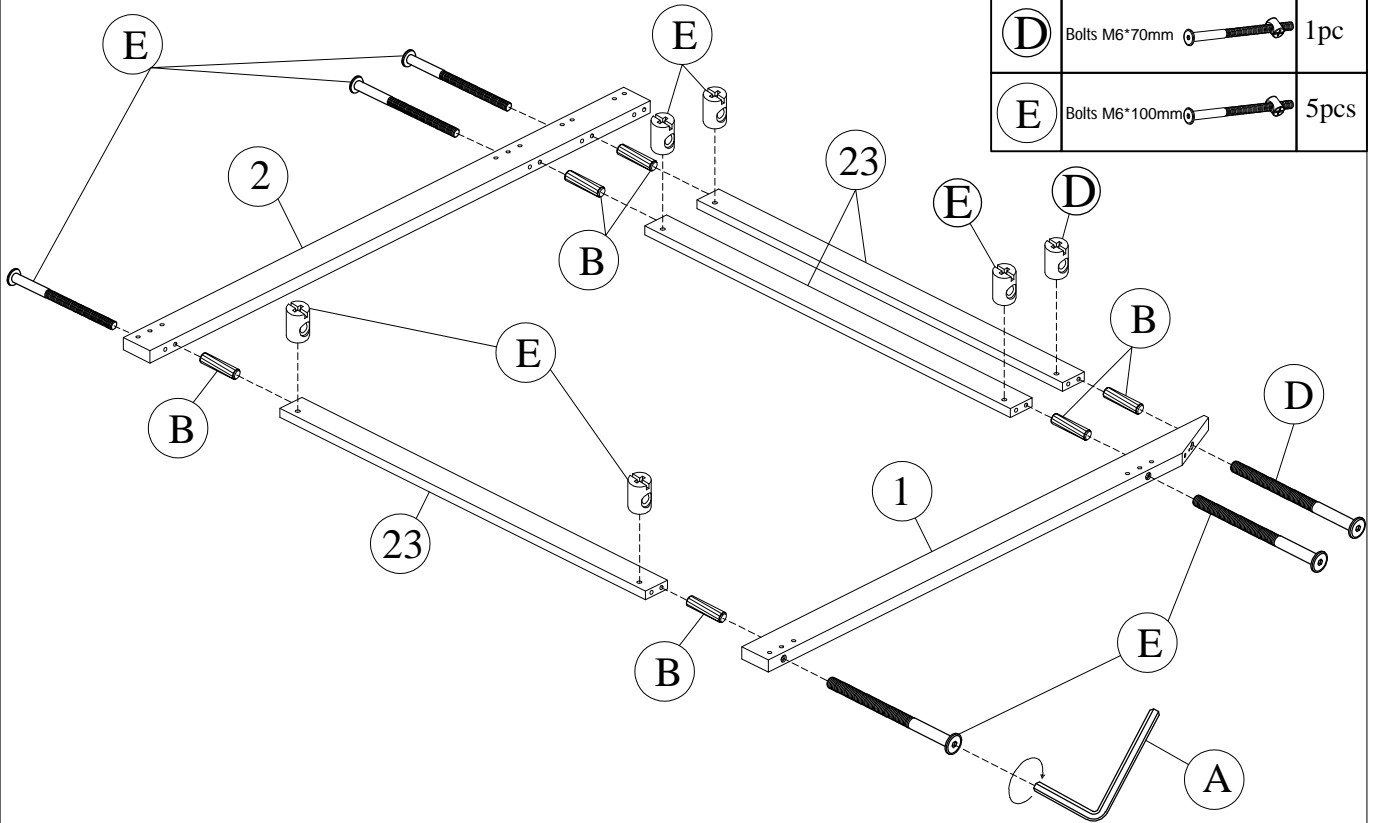


(A)	4*75mm		1pc
(B)	Dowel Ø8*30mm		2pcs
(F)	Bolts M6*35mm		1pc
(H)	Bolts M6*70mm		4pcs







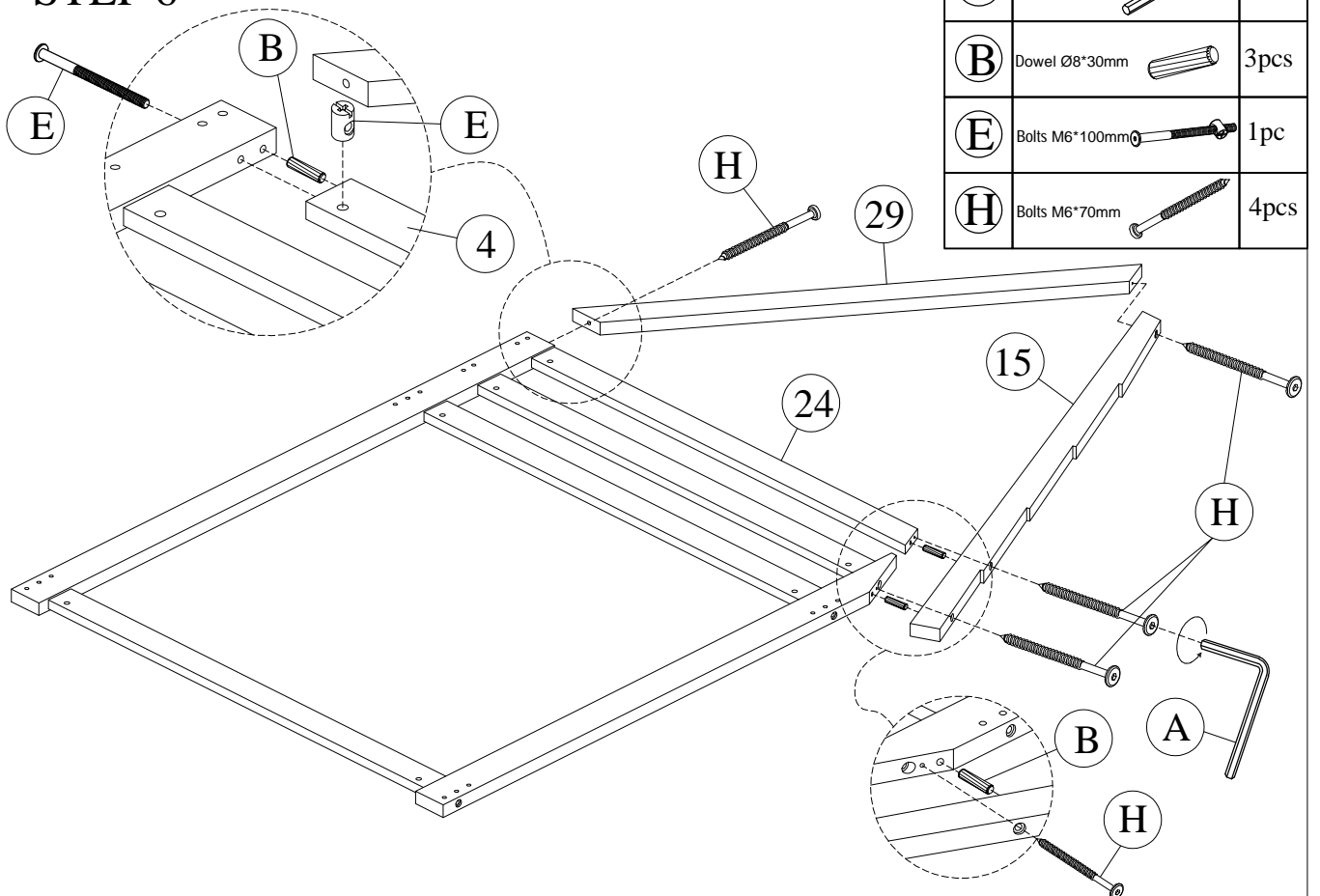
STEP 5

(A)	4*75mm		1pc
(B)	Dowel Ø8*30mm		6pcs
(D)	Bolts M6*70mm		1pc
(E)	Bolts M6*100mm		5pcs


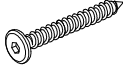


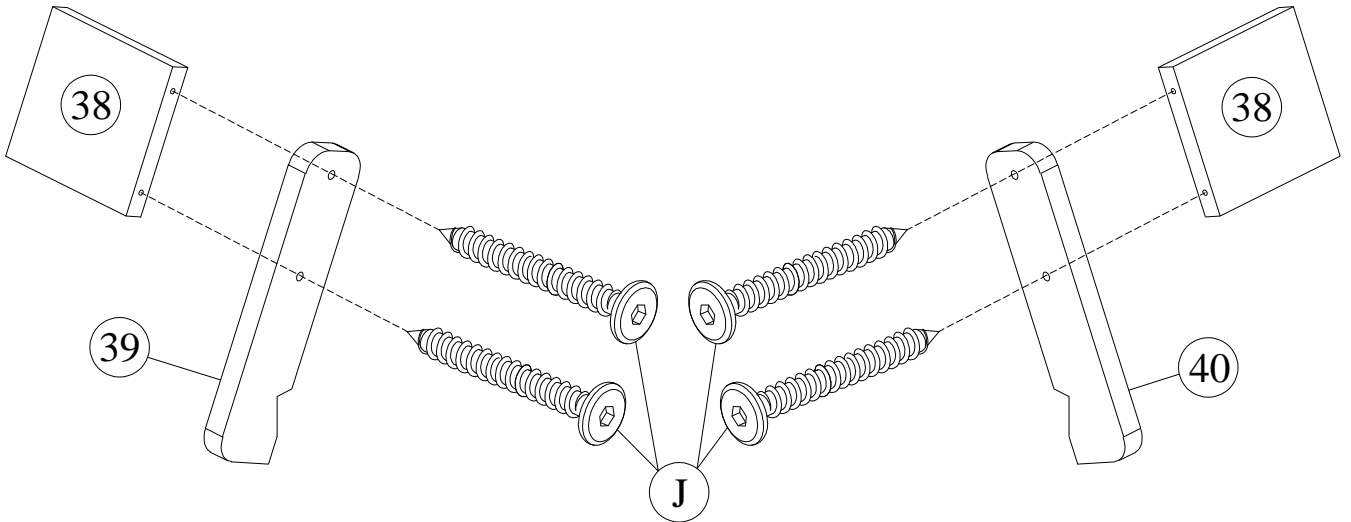
STEP 6

(A)	4*75mm		1pc
(B)	Dowel Ø8*30mm		3pcs
(E)	Bolts M6*100mm		1pc
(H)	Bolts M6*70mm		4pcs






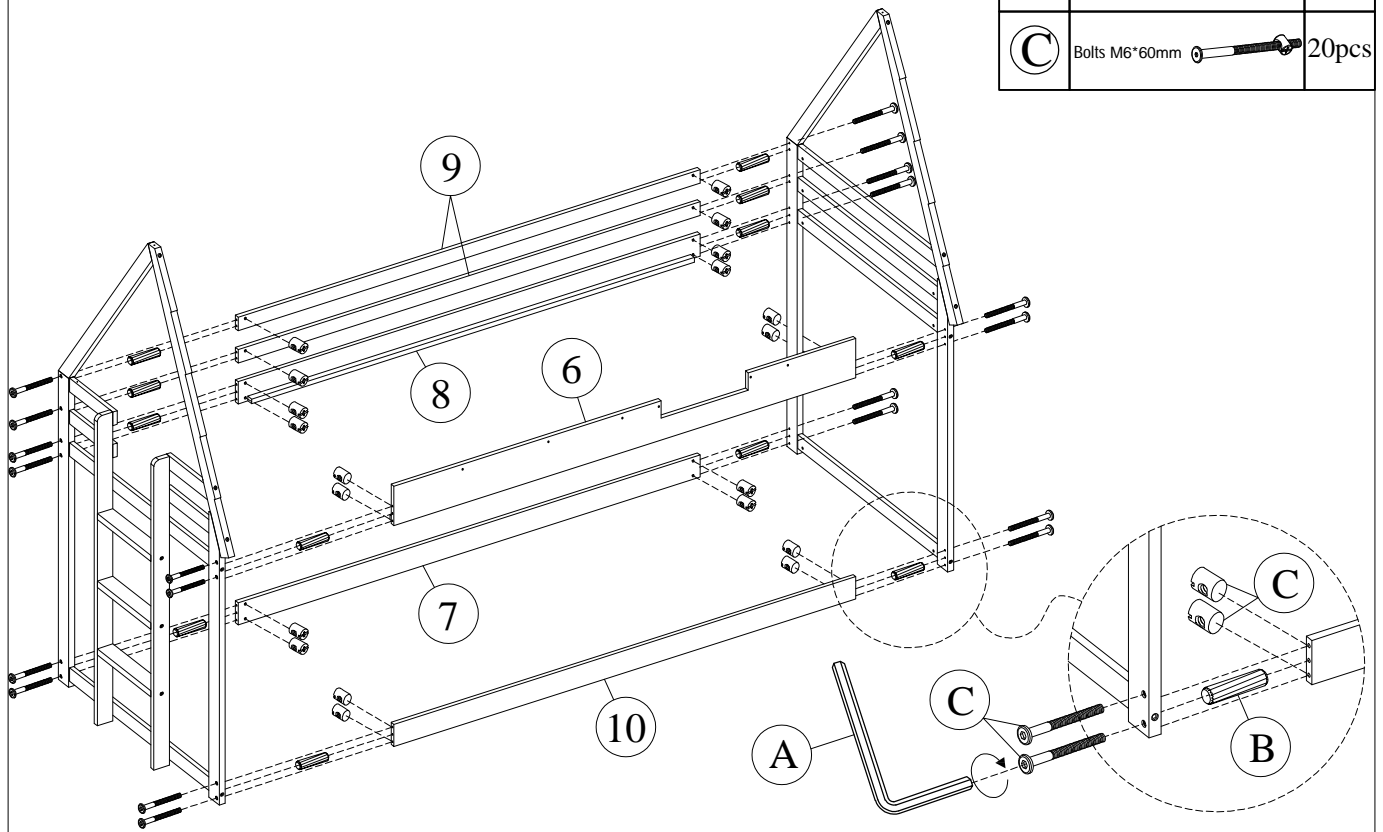
STEP 7

A	4*75mm		1pc
J	M6*40mm		4pcs





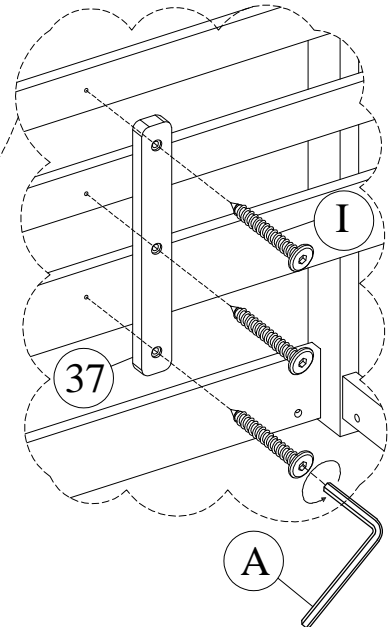
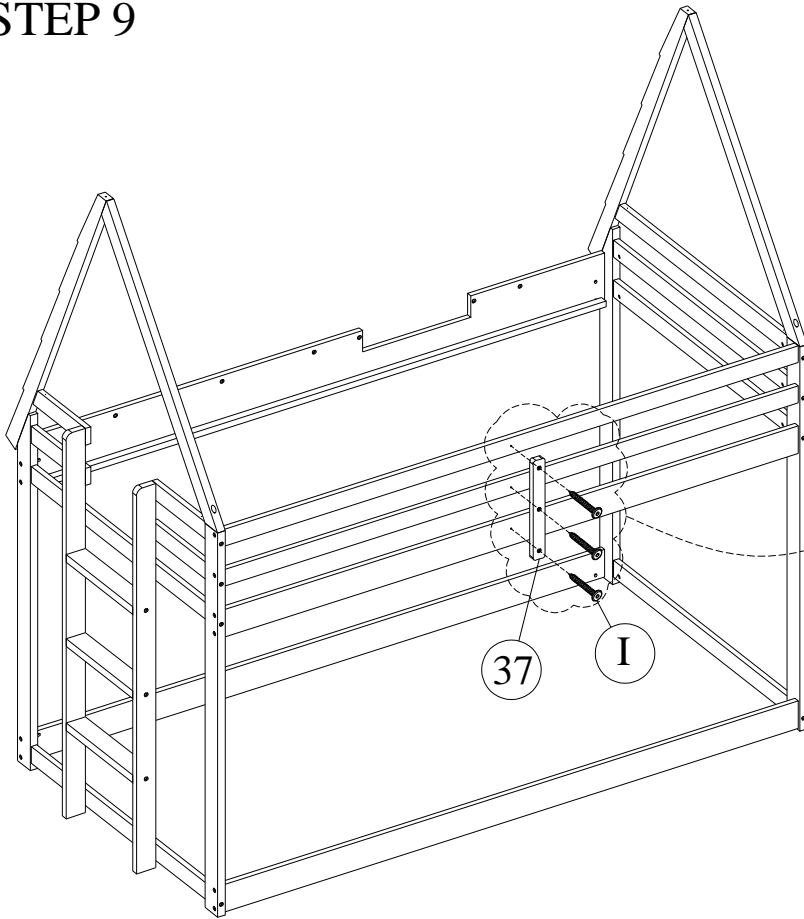
STEP 8

A	4*75mm		1pc
B	Dowel Ø8*30mm		12pcs
C	Bolts M6*60mm		20pcs

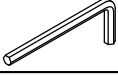




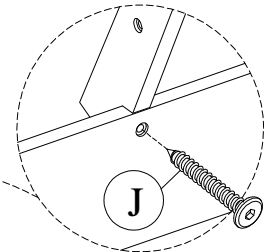
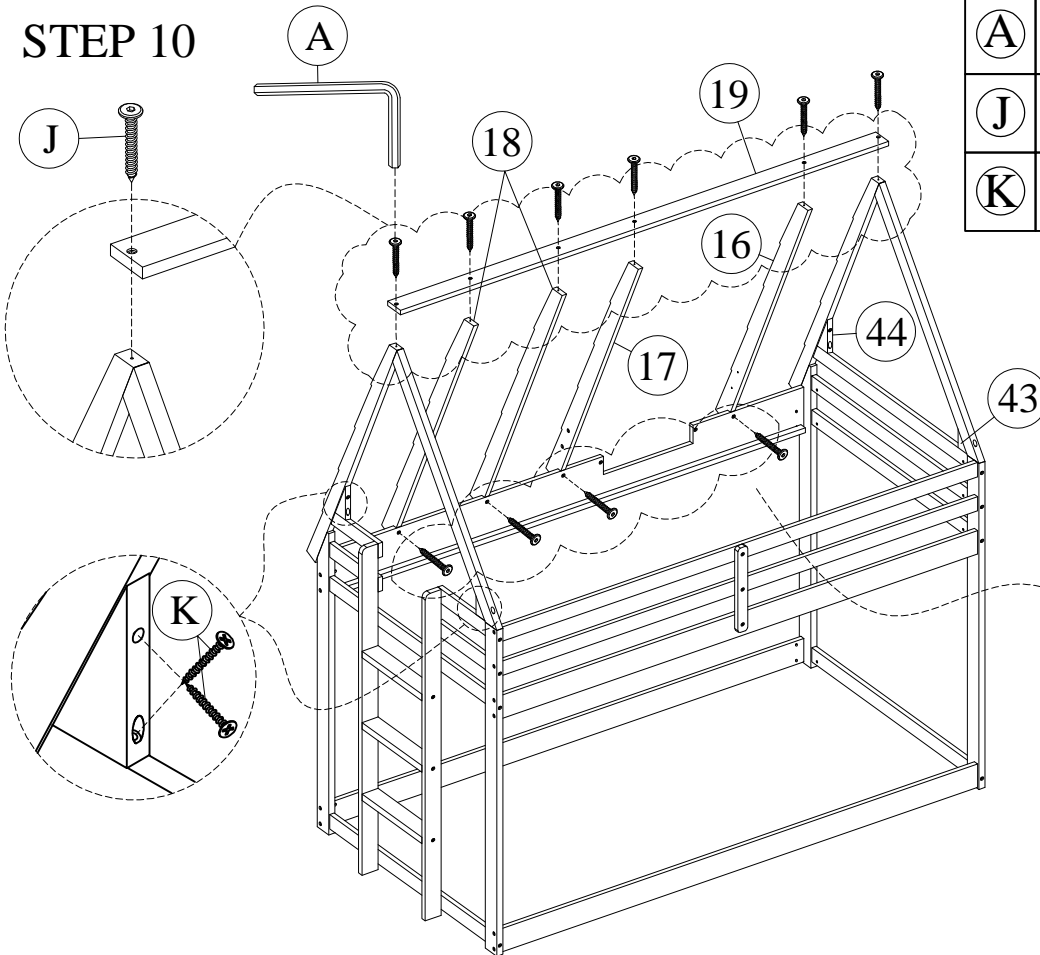
STEP 9

A	4*75mm		1pc
I	M6*30mm		3pcs





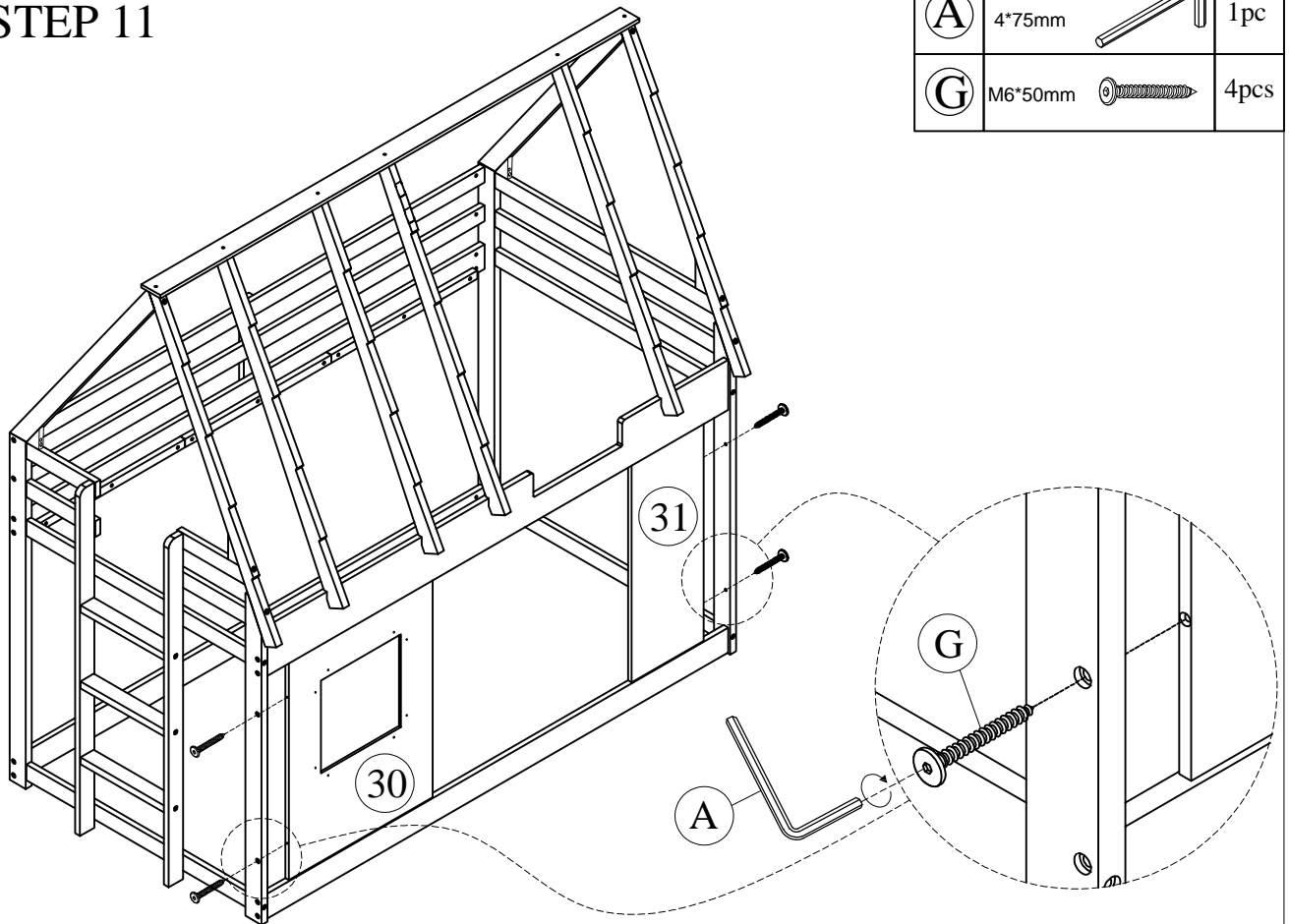
STEP 10

A	4*75mm		1pc
J	M6*40mm		10pcs
K	M4*30mm		8pcs

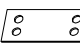




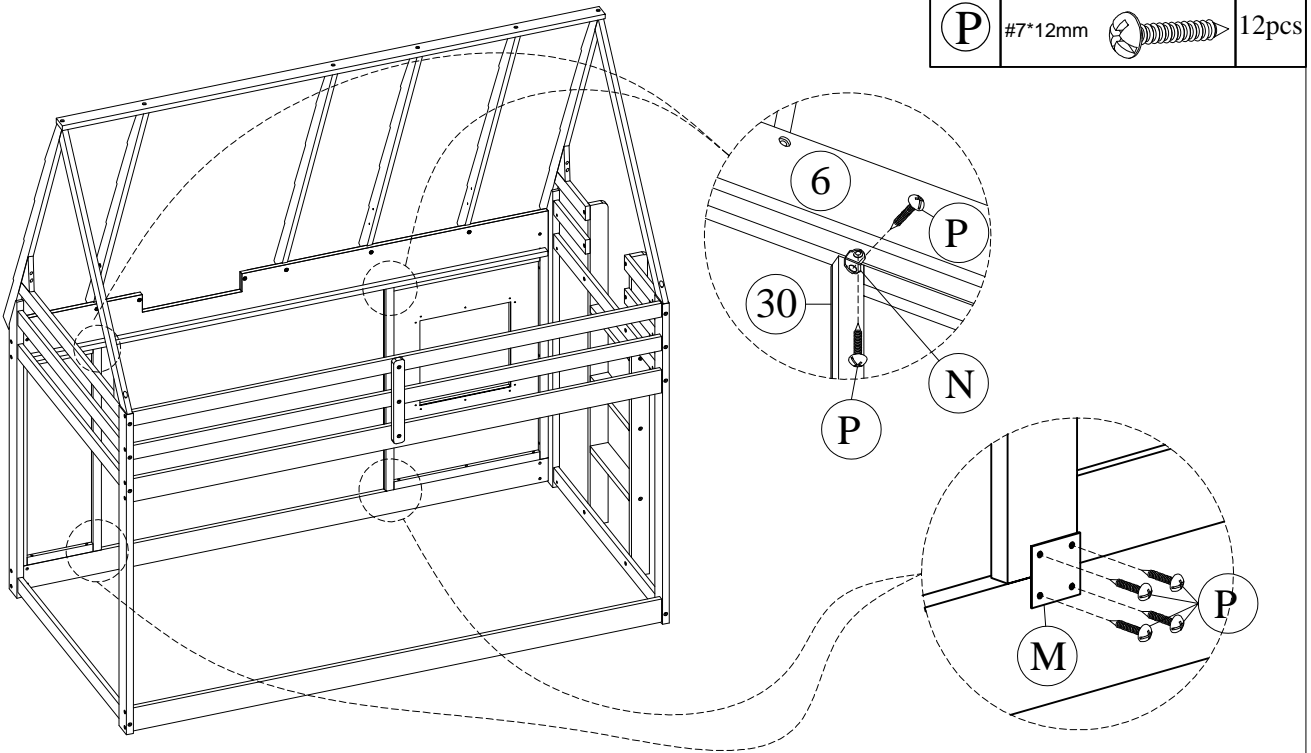
STEP 11

A	4*75mm		1pc
G	M6*50mm		4pcs




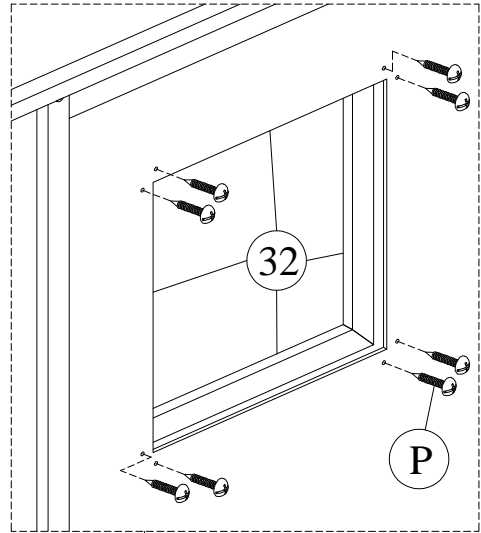
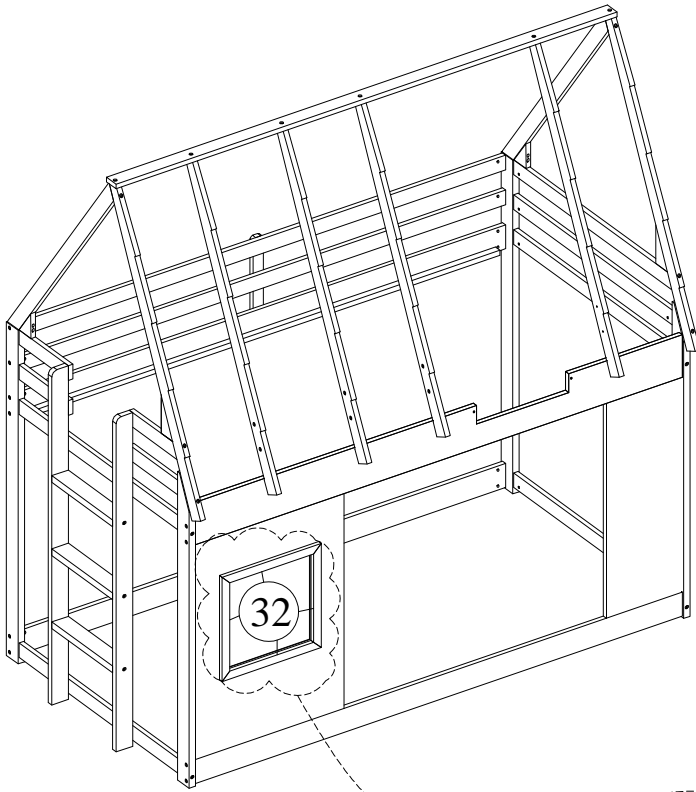
STEP 12

M	Metal-bracket		2pcs
N	Metal L-bracket		2pcs
P	#7*12mm		12pcs


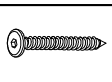


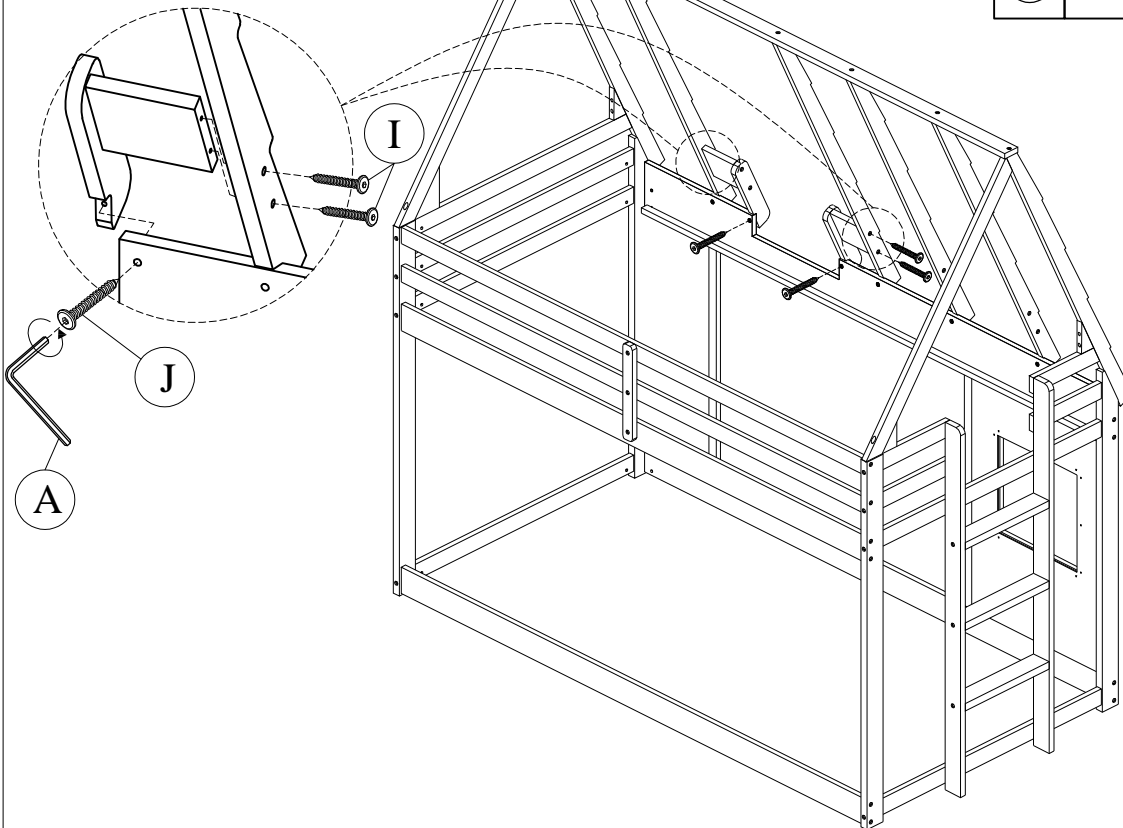
STEP 13

P	#7*12mm		8pcs
---	---------	---	------




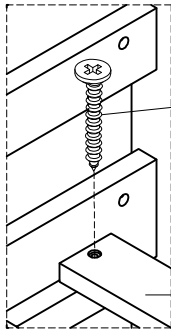
STEP 14

A	4*75mm		1pc
J	M6*40mm		6pcs



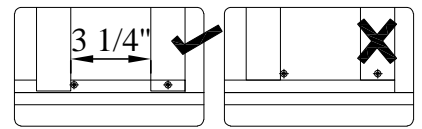
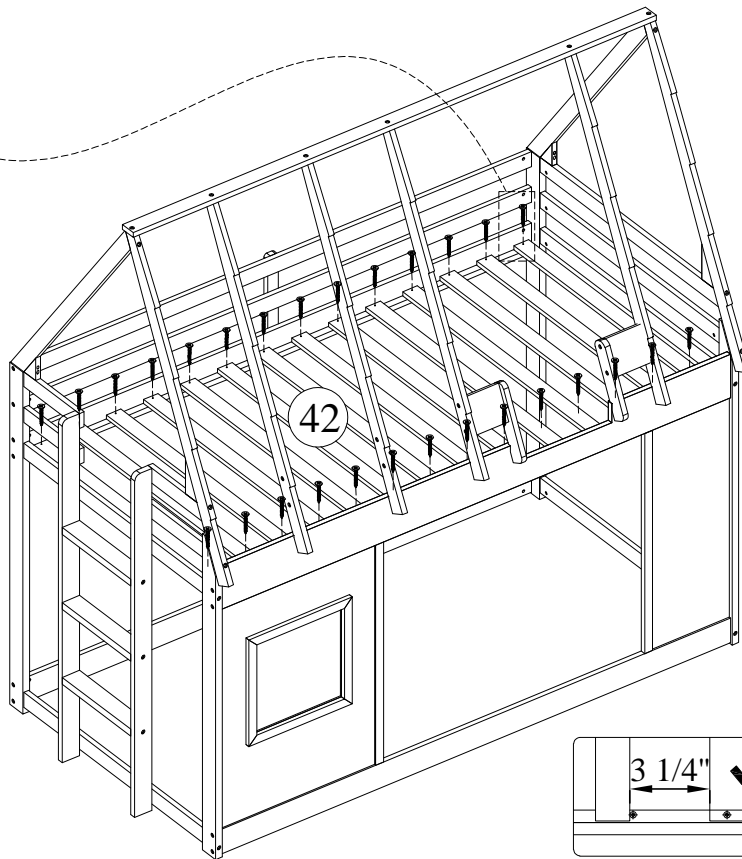
STEP 15

K	M4*30mm		28pcs
----------	---------	---	-------



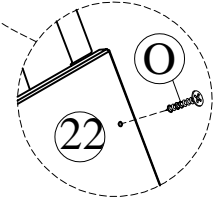
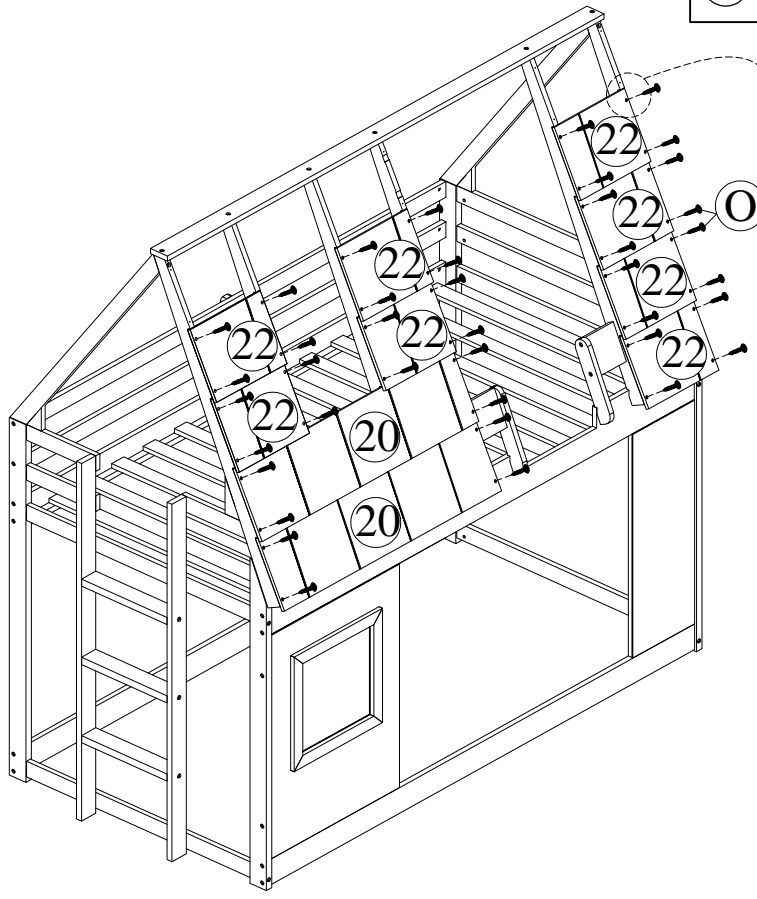
K

42





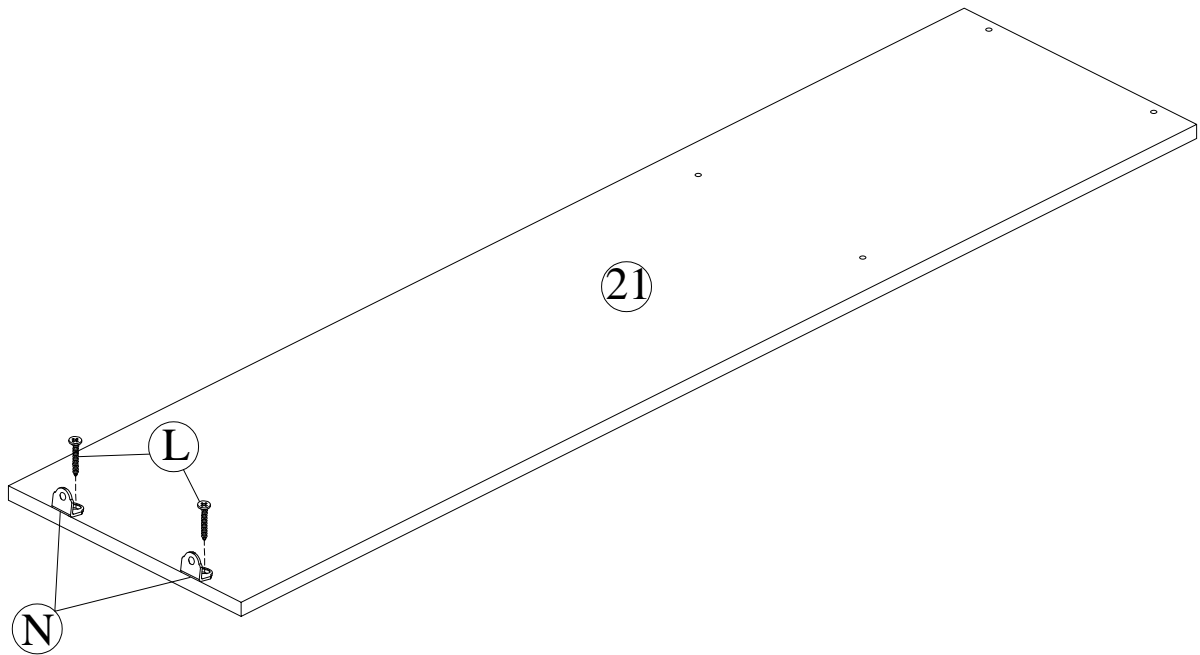
STEP 16

O	M4*25mm		40pcs
----------	---------	---	-------





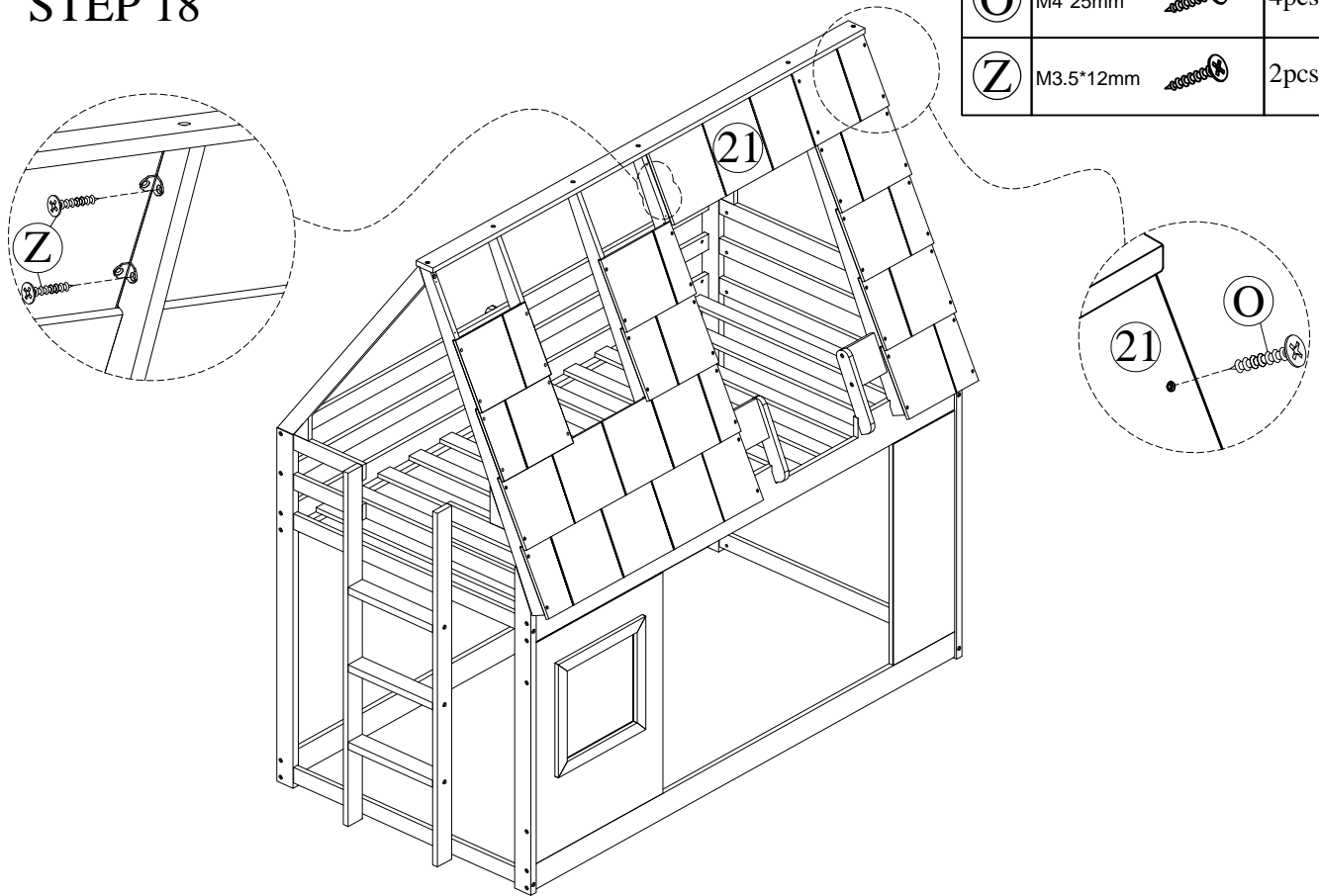
STEP 17

N	Metal L-bracket 	2pcs
L	M3*10mm 	2pcs





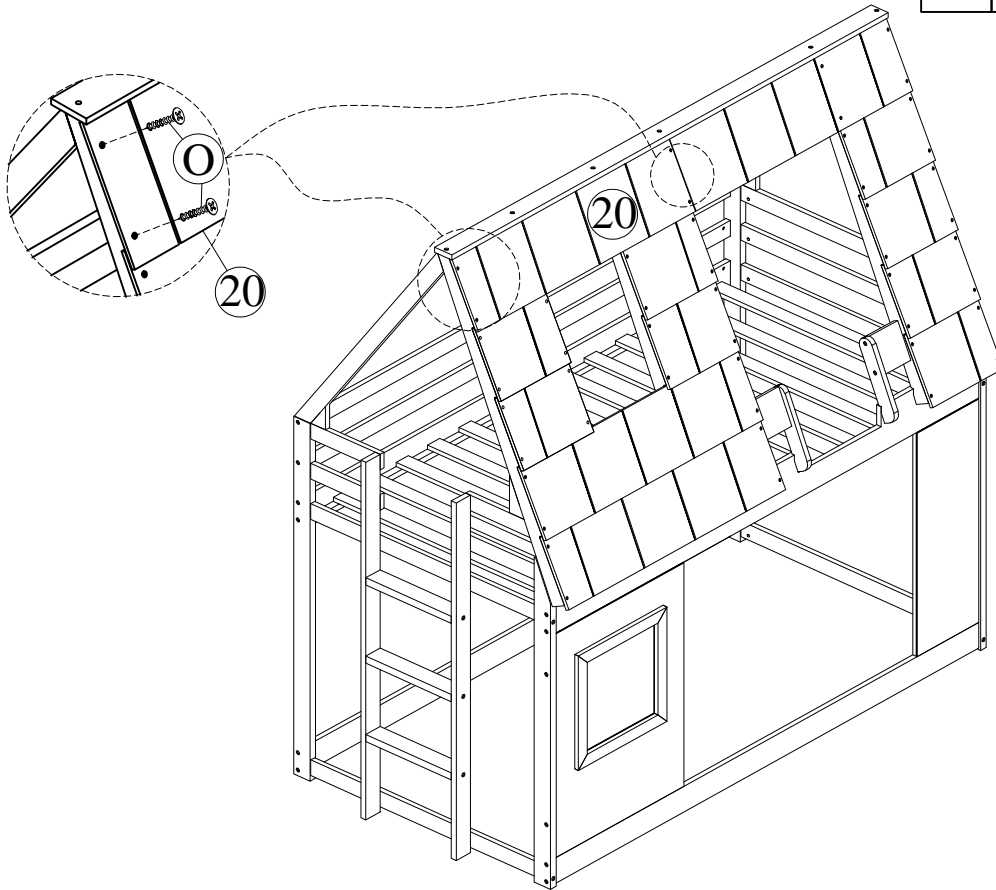
STEP 18

O	M4*25mm 	4pcs
Z	M3.5*12mm 	2pcs









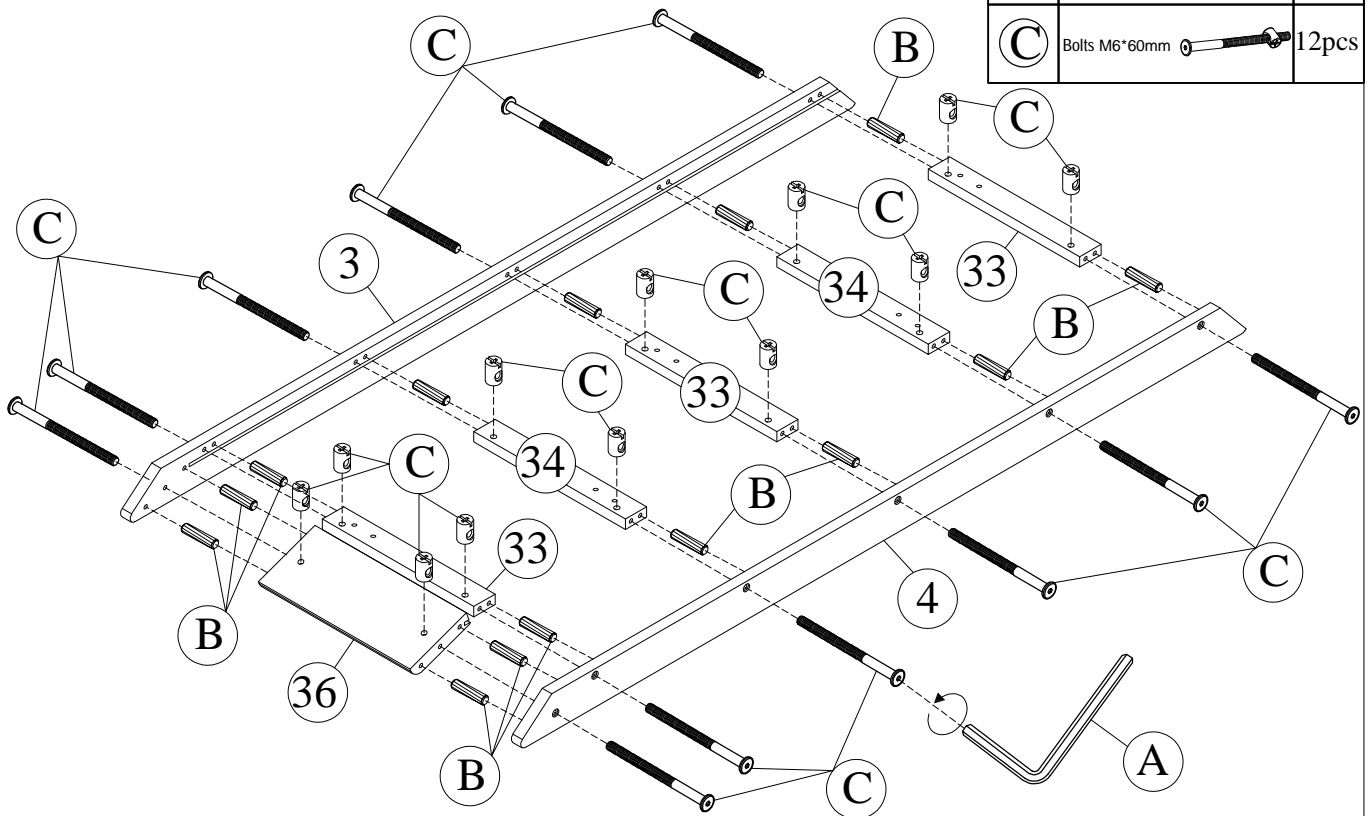
STEP 19

	M4*25mm		4pcs
---	---------	---	------

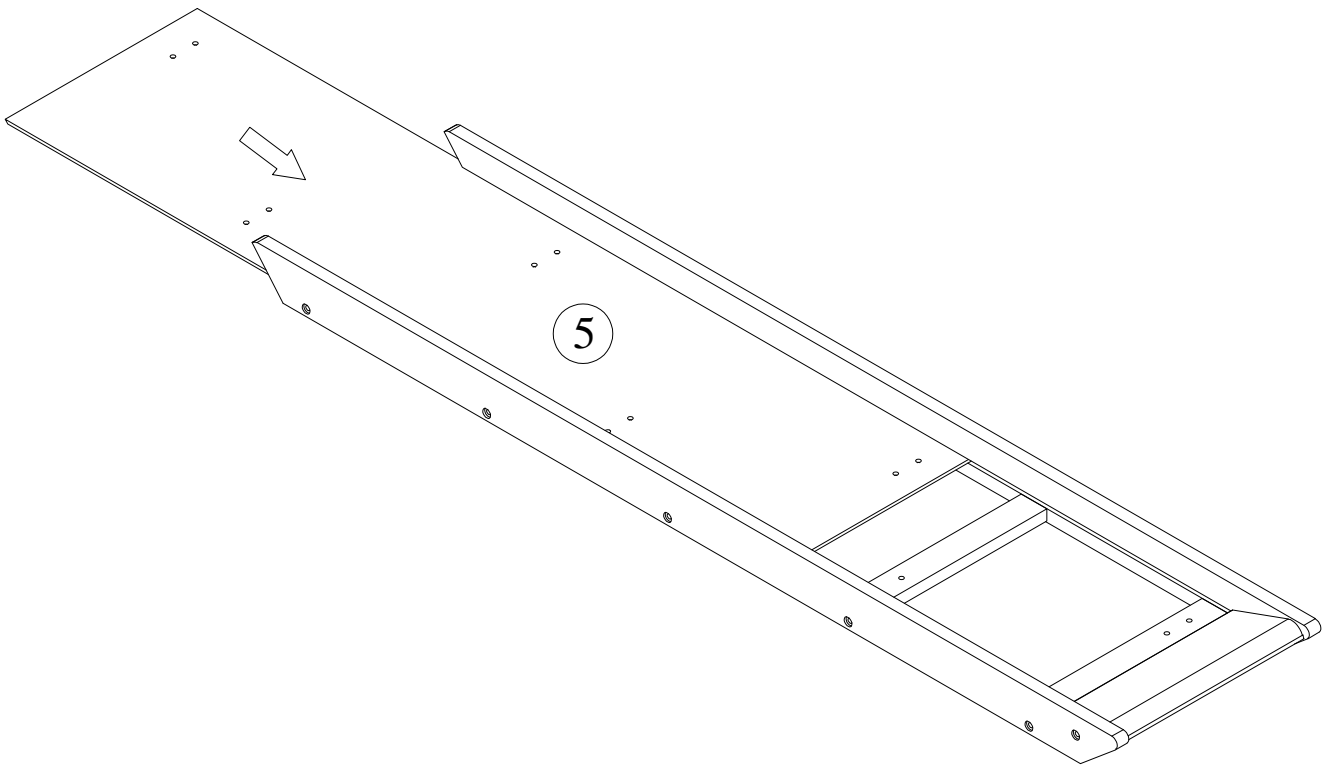


STEP 20

	4*75mm		1pc
	Dowel Ø8*30mm		14pcs
	Bolts M6*60mm		12pcs

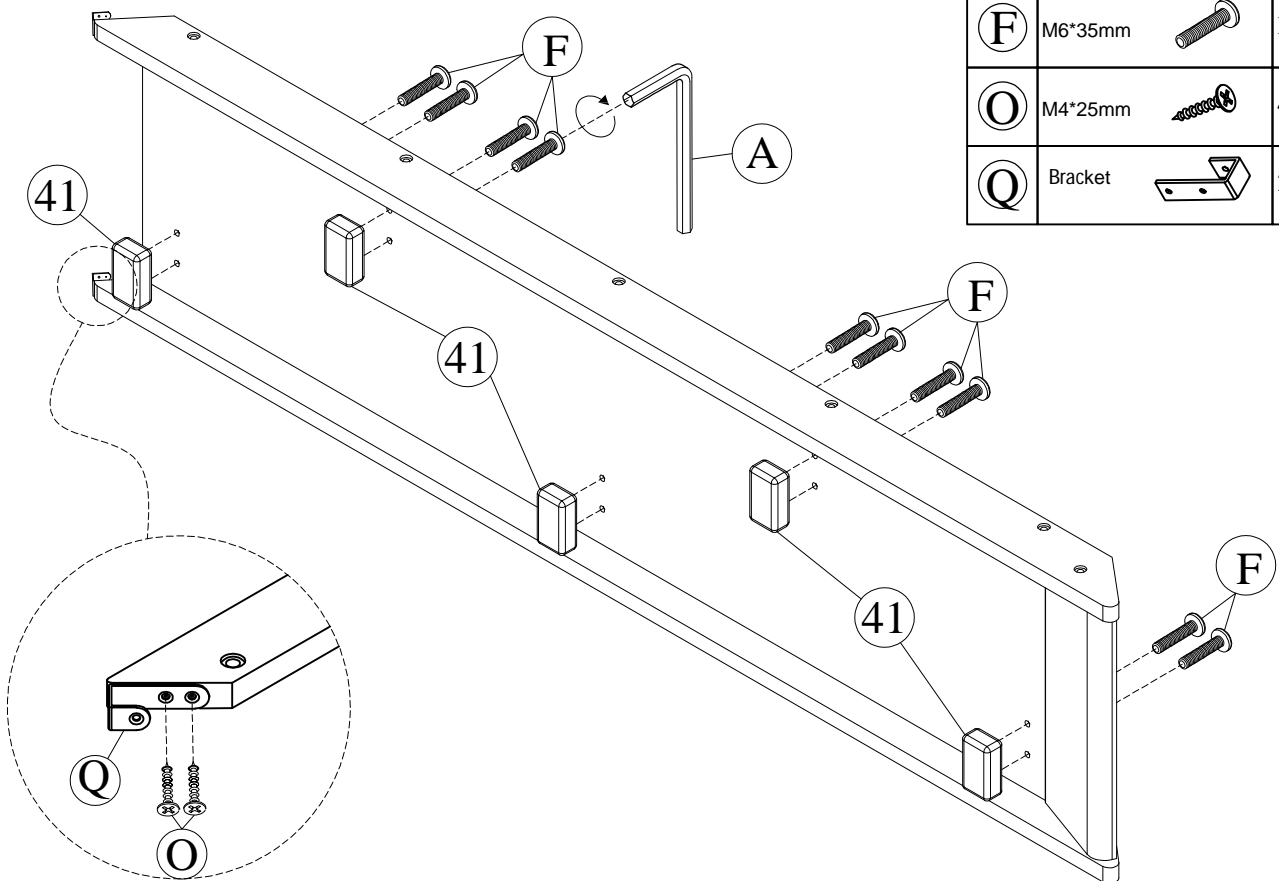


STEP 21





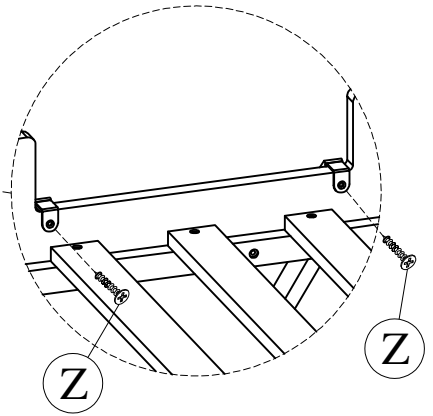
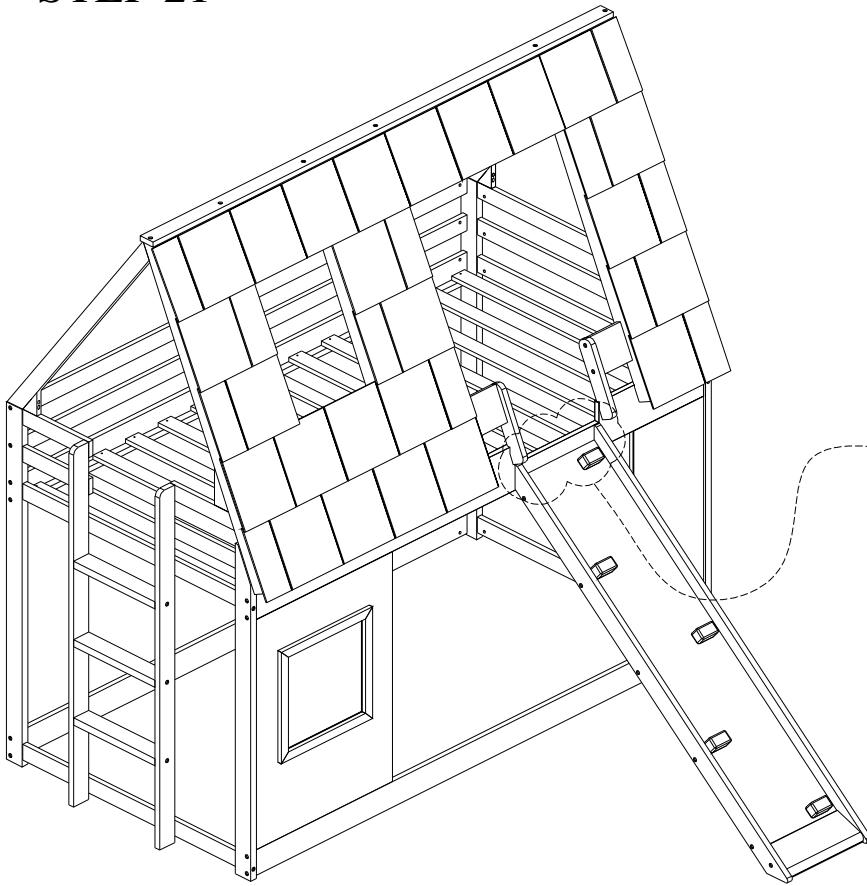
STEP 22

A	4*75mm		1pc
F	M6*35mm		10pcs
O	M4*25mm		4pcs
Q	Bracket		2pcs



STEP 21

	M3.5*12mm		2pcs
---	-----------	---	------



FINAL

