

# VEVOR

**Affordable. Reliable. Home Improvement.**

## **DOG GROOMING TUB**

**MODEL:K2E01007 / K2E01010**

**VEVOR Support Center**



**K2E01007**



**K2E01010**

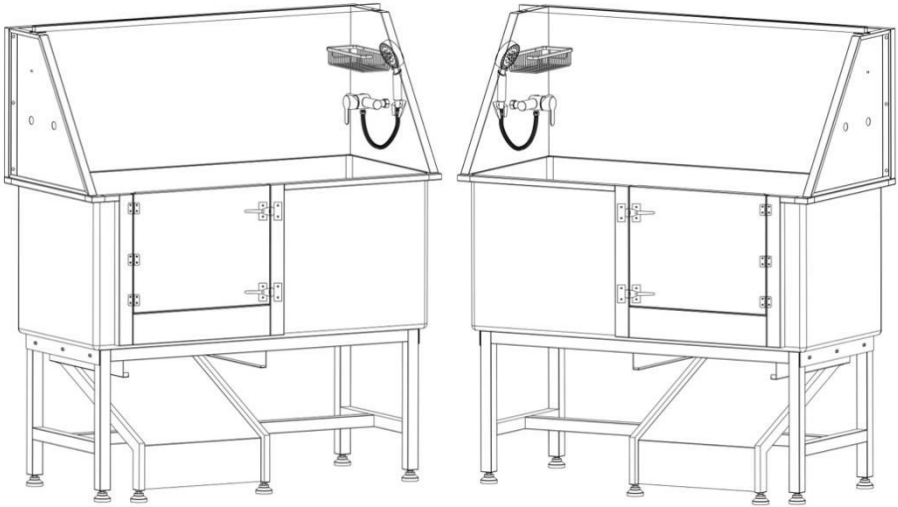


# VEVOR

Affordable. Reliable. Home Improvement.

## DOG GROOMING TUB

MODEL: K2E01007 / K2E01010



This is the original instruction, please read all manual instructions carefully before operating. VEVOR reserves a clear interpretation of our user manual. The appearance of the product shall be subject to the product you received. Please forgive us that we won't inform you again if there are any technology or software updates on our product.

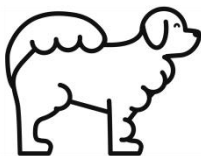
## IMPORTANT SAFEGUARDS



**WARNING:** Read and understand this entire manual before operating or servicing this product. Failure to follow these warnings and instructions can cause personal injury or damage to valuable property.

- Avoid children using grooming tub. And this product is not a toy. Do not allow children to play.
- Keep away from sharp points, blades and other items.
- Please wipe the cylinder dry with a cloth after use to extend the service life.
- Assembly precautions
  1. Assemble only according to these instructions. Improper assembly can create hazards.
  2. Wear ANSI-approved safety goggles and heavy-duty work gloves during assembly.
  3. Keep assembly area clean and well-lit.
  4. Keep bystanders out of the area during assembly.
  5. Do not assemble when tired or when under the influence of alcohol, drugs or medication.
  6. Product capabilities apply to properly and completely assembled product only.
  7. For additional information regarding the parts listed in the following pages, please refer to the Assembly Diagram of this manual. Unwrap and separate all parts in a clean work area. Please keep small spare parts out of children's reach.

## **SAVE THESE INSTRUCTIONS**



**Warning! Products are only used for pet bathing.**

### **PREPARATIONS BEFORE INSTALLATION**

1. Recommended Tools:

Phillips screwdriver, M4 wrench, Spirit level,

2. Necessary safety equipment:

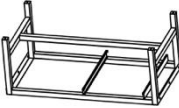
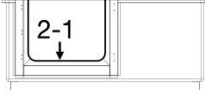


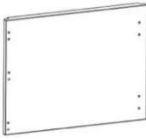
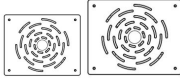

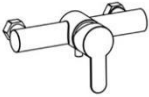
Gloves, goggles.


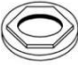
**Caution:** Before installing the product, wear gloves and goggles to avoid possible physical damage during installation.



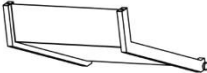

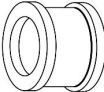
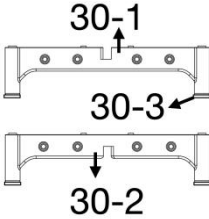

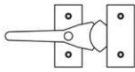




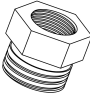
## INSTRUCTIONS

Thank you very much for choosing this pet bathtub. Please read all the instructions before using it. The information will help you achieve the best possible results.

**Parts List:**

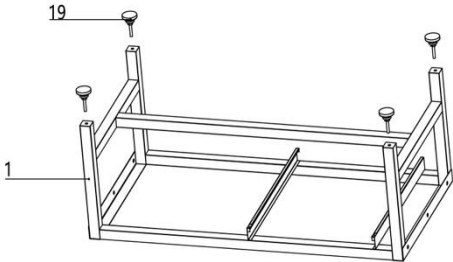
			
1 pc	1 pc	1 pc	1 pc
1: Bottom bracket	2: Tub 2-1: Sealing Strip	3: Right side panel	4: Left side panel
			
1 pc	2 pcs	1 pc	1 pc
5: Door	6-1: Small Plastic Floor Grate 6-2: Big Plastic Floor Grate	7: Back panel	8: Faucet switch

			
1 pc	1 pc	1 pc	2 pcs (600mm)
9: Storage basket	10: Shower head	11: Shower hose	12: Inlet pipe
			
1 pc	18 pcs (M4*16mm)	4 pcs (M4)	2 pcs
13: Strainer 13-1: Drain Pipe 13-2: Transparent Cover	14: Screw	15: Hex flange nut	16: Nut
			
1 pc	1 pc	6 pcs	2 pcs
17: Shower bracket	18: Comb	19: Adjustable foot	20: Sling
			
2 pcs	20 pcs (M6*16mm)	6 pcs (M8*16mm)	1 pair
21: Play ball	22: Screw	23: Screw	24: Plastic Gloves

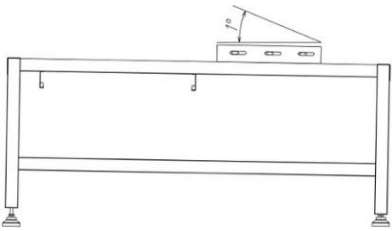
			
2 pc	1 pc		1 pc
25: Washer	26: Crossbar		27: Ramp
			
2 pcs	1 pc	1 set	1 pc
28: Nut	29: Sealing tape	30: Base 30-1: Down Base 30-2: Up Base 30-3: Anti-slip Mat	31: Wrench
			
2 pc	1 pair	1 pc	4 pcs (M8*20mm)
32: Latch	33: Nylon Gloves	34: Wiper	35: Screw
			
1 pc	2 pcs		

36: Scouring pad	37: Adapter (G1/2 to NPT9/16)
------------------	-------------------------------

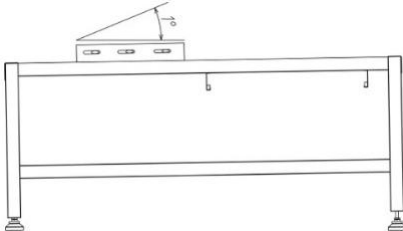
**Installation steps**

	<p>① Install the adjustable feet to the H rack.</p> <p><b>Caution:</b> Ensure that the depth of adjustable feet is not less than 12mm and try to make the four adjustable feet screw in the same depth. Please tighten the spare nut during the installation and adjust it later.</p>
--	---

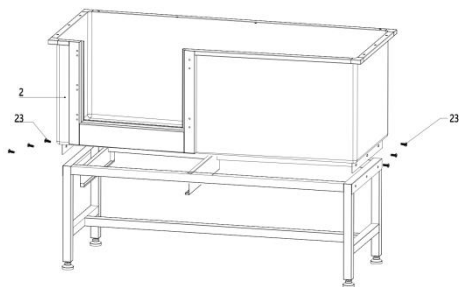
**Left Door Bracket**



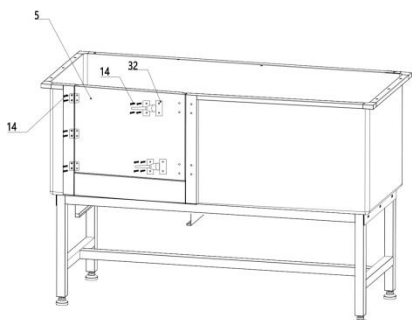
**Right Door Bracket**



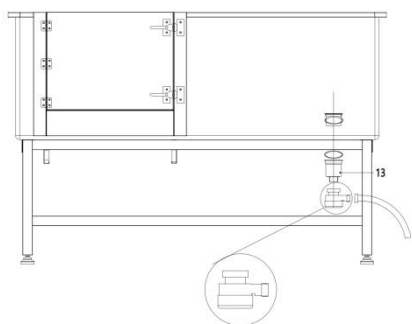
② Flip the bottom bracket, adjust the height of the feet to make sure the height of water outlet side is 1-2 degrees lower than the other side (use a spirit level to show)



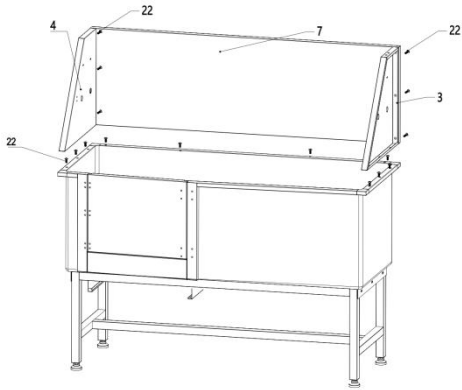
③ Use screw to fix the bottom bracket and tub.



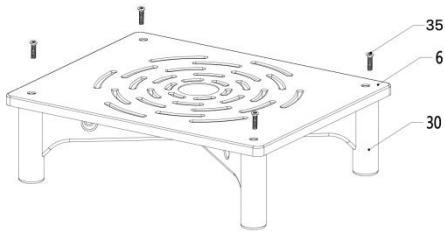
④ Use Screw and hinge to fix door to the tub and install the latch with screw.



⑤ Install the strainer, ensure that the sealing ring is free of dislocation and wrinkles.  
**Caution:** When installing, please pay attention to whether the sealing ring is placed correctly, avoid water leakage due to incorrect seal installation. And check whether the transparent cover of the drain is tightened.

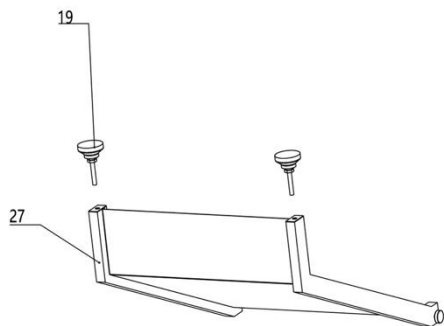
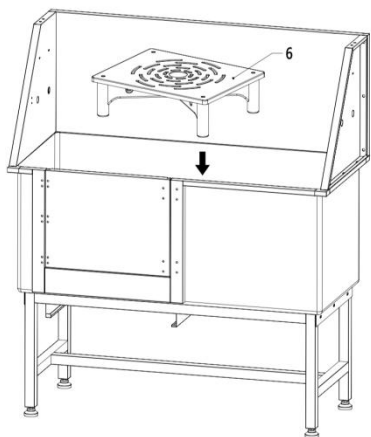


⑥ Use screw to fix the left and right sideboard, then use screw to fix the back panel, last to use screw to fix sideboard and back board.

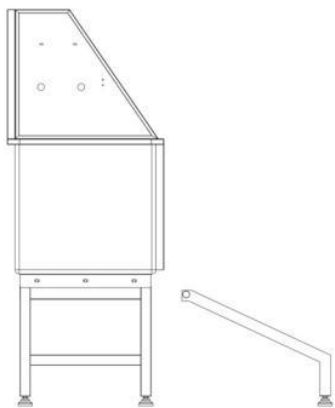


⑦ Install the bottom rack to the water filter plate.

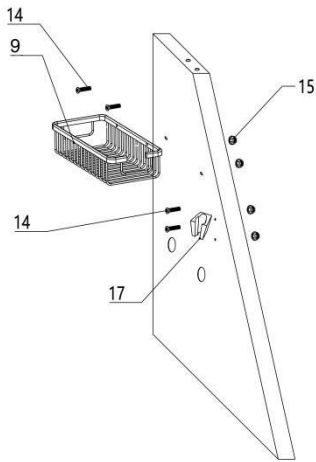
⑧ Put the water filter plate to the tub.



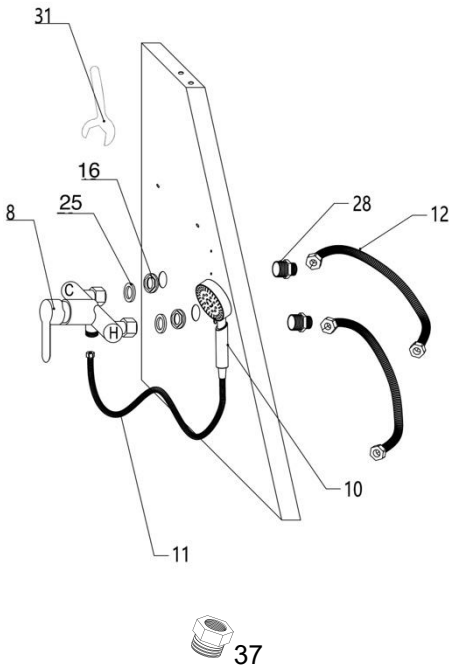
⑨ Install the adjustable feet on the bottom of the ramp.  
**Caution:** Ensure that the depth of adjustable feet is not less than 12mm and try to make the two adjustable feet screw in the same depth. and tighten the spare nut during the installation.



⑩ Install the ramp into the chassis rails



⑪ Use screw and hex flange nut to install the storage basket and shower bracket to the right-side panel.



⑫ Install hot and cold shower switch and water inlet.  
**Caution: Before you do this, make sure that your water source is on the left or right side of the bathtub, and select the direction of installation of the tap switch.**  
**Step1:** Pass straight all-copper connector through side panel (1/2" end facing outside), screw nut into the other end of the connector and use wrench screw down.

**Step2:** Align the faucet switch with the connector, then tighten the two nuts on the switch and note that the sealing ring inside the nut is intact.

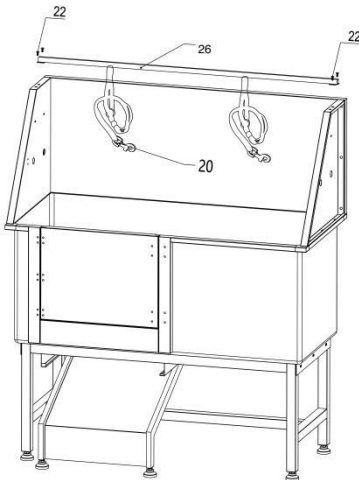
**Step3:** Connect the hose at the water inlet end and the shower hose at the faucet outlet. Also, when tightening the nut, pay attention to whether the sealing ring inside the nut is intact.

**Step4:** The other end of the hose is connected to the water source, pay attention to the hot and cold water mark on the faucet switch, "H" represents hot water, and connect the hose on this side to the hot water source, while the other side is connected to the cold, also pay attention to whether the seal ring inside the hose end nut is intact.

**Caution:** The inlet hose is only 600mm long, if you want to lengthen it, please purchase it separately (Caliber:20mm)

**Caution:** Optional use of sealing tape when installing the nut. It can make the installation more sealed and help prevent water leakage at the joint.

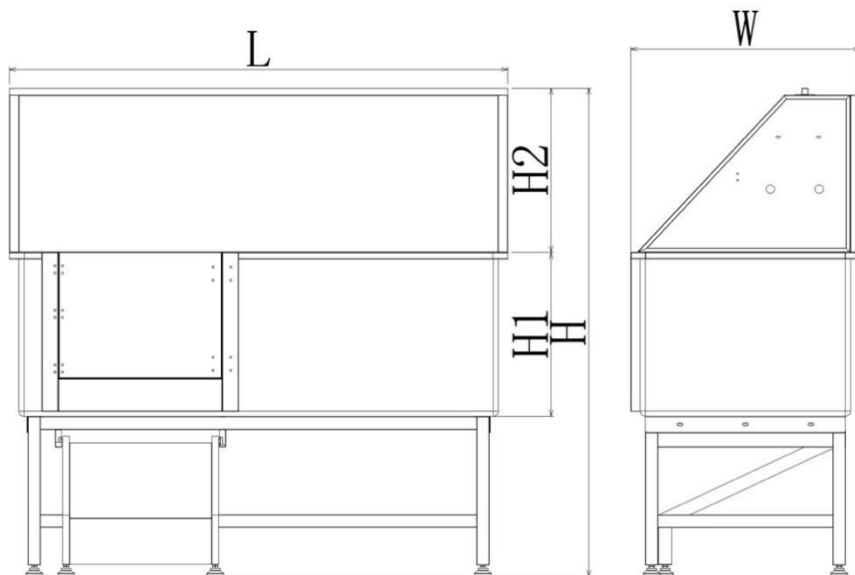
**Caution:** Please determine whether to install adapter according to the actual water pipe specifications.



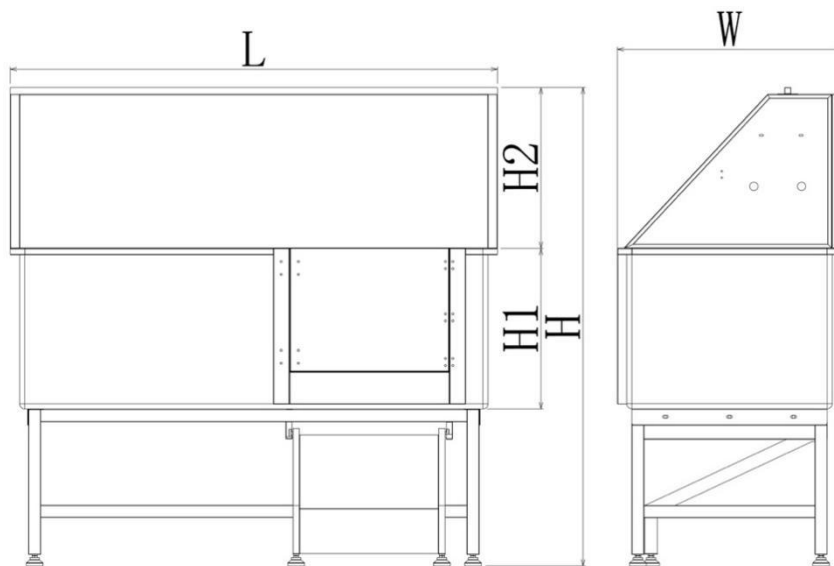
⑬ Use screw to fix the crossbar to the left and right-side panel, then install the sling.

## DIMENSIONS AND PARAMETERS

### Left Door



### Right Door



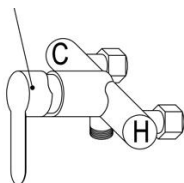
Model#	L(mm)	H(mm)	H1(mm)	H2(mm)	W(mm)	N.W.
--------	-------	-------	--------	--------	-------	------

						(kg)
K2E01007	1270	1491	500	480	597.5	48.8
K2E01010	1270	1491	500	480	597.5	48.8

Model#	Volume (CBM)	Loading Capacity (lbs)	Recommended pet (in)
K2E01007	0.64	330	L×W×H:48×25×40
K2E01010	0.64	330	L×W×H:48×25×40

## OPERATION

1. Make sure the water pipe connection is complete and the water is flowing normally. (Connect the hot and cold water pipes according to the hot and cold water signs of the faucet switch).



”C”: Cold water; ”H”: Hot water

2. Pull out the stairs and open the door, let the pet walk into the bathtub by itself or hold the pet inside the tub by yourself, then close the door.

3. Start to bath.

4. After the bath, let the water out of the tub and take the animal out.

5. Clean the tub with a cloth.

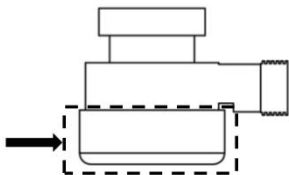
## MAINTENANCE

1. In between use, the tub should be cleaned with a soft cloth or sponge using a mild cleaning agent.

2. Pay attention to regularly clean the hair of the drain to avoid clogging.

3. Please clean the transparent cover of the drain regularly. After disassembly like a nut, it can be easily cleaned, and be careful not to leave

the seal ring when installing it back.



## CARE INSTRUCTIONS

Don't put the bathtub on an uneven surface.

Don't drop or mistreat the bathtub.

Don't overload the scale. This will permanently damage it!

## COMMON MALFUNCTIONS

If the faucet leaks, please check whether the waterproof rubber plug is installed. If it is damaged, it needs to be replaced in time.

## Safety Information



**Warning**

### General Safety Instructions

- Improper installation and/or operation may result in property damage or injury to yourself or your pet. Follow the instructions carefully and contact customer service or a local contractor if any point is confusing, too difficult for you to do on your own, or requires special modification for your home. Keep these instructions for future reference. Provide them to anyone who will use this device and provide them with this device if it is ever given or sold to a third party.

- ONLY use this bathtub for its intended purpose, bathing medium-sized pets such as cats and dogs.
- DO NOT use it with pets that exceed this product's weight capacity, whose predisposition becomes violent upon contact with water, or whose physiological features preclude safe regular bathing (e.g., chinchilla rat).
- NEVER use this bathtub for humans, especially children, or allow them to play on or with it.
- DO NOT run or allow others to run in the area around this bathtub. Do not allow children or pets to stay under the tub. Restrict access to the area if necessary.
- Ensure all components and fasteners are intact and securely tightened before use. Do not operate this bathtub if any part is damaged or shows signs of malfunction. Repair or replace problematic components before further use. NEVER replace any parts with nonidentical ones.
- Consult a veterinarian before use if your pet may have an illness or condition such as skin allergies that might be worsened by bathing. Use only in compliance with the veterinarian's recommendations (e.g., using specially medicated shampoos).
- Be mindful of your pet's mood while using this bathtub. If unwillingness is unavoidable, take precautions to prevent the pet from harming you, themselves, or others during bathing.

Provide a reward afterward.

- NEVER load this bathtub with more than 286 pounds (130 kg). Particularly for larger animals, be careful to prevent them from jumping or moving in such a way that causes violent impacts as this might exceed this capacity.
- DO NOT leave this bathtub unattended during use.

#### Electrical Safety Instructions

- Ensure all electrical outlets and exposed electrical connections around are at least 10 feet (3 m) away from this bathtub or fully protected from possible splashing during bathing. DO NOT use any chargers or extension cords closer than this distance without similar protection.

- Electrical devices such as electrical transformers, televisions, lights, and telephones should be at least 6'7" (2 m) away from this bathtub at all times. In particular, never bring a charging cell phone near the bathtub and never allow any electrical device to be placed or used in such a way that it might fall into the water under any circumstance.
- For extra safety, install this bathtub at least 6'7" (2 m) away from other conductive metal surfaces to reduce the risk of electric shock from splashing water. Any metal surface closer this should be permanently bonded to a dedicated terminal box with a solid copper conductor at least 8 gauge (3.3 m) thick.

## **Water Safety Instructions**

- ONLY install this bathtub on firm, level, and nonslip surfaces that can bear its weight while filled with your pet and water. The surfaces must be impervious to damage from moisture and the surrounding area must be able to handle the expected humidity created by the water.
- An adequate drainage system should be provided to safely deal with any overflow and to permit easy emptying of this bathtub.
- Make sure your water supply for this bathtub is turned off during installation.
- NEVER allow the water level to rise above the level of your pet's chin during use.
- DO NOT set up or leave this bathtub in temperatures below 32°F (0°C). Do not turn on the shower if there is any possibility water in its lines has frozen.
- DO NOT add chemicals other than standard mild soaps and pet shampoos to the bathing water. After use, only apply nontoxic cleaning agent to the bathtub's internal surface and rinse it away completely. For sterilization, only use pet-safe and nontoxic disinfectants.
- DO NOT allow dirty and stagnant water to remain in this bathtub for a long period. Drain, clean, and dry the tub completely after each use.

# Heat Safety Instructions

- Adequate ventilation should be provided to safely deal with the expected heat and humidity.
- The water temperature should be close to your pet's body temperature. Water that is either too cold or too hot will cause discomfort, may irritate your pet's skin, and may even cause injury or illness. Before use, learn about the appropriate water temperatures for bathing your pet. For best results, set your water heater's maximum temperature accordingly if possible. If adding preheated water, make sure it is within the temperature range appropriate for your pet before allowing your pet to enter.

**Manufacturer:** Shanghai muxin muyeyouxiangongsi

**Address:** Shuangchenglu 803 nong 11 hao 1602A-1609 shi, baoshanqu, shanghai 200000 CN.

**Imported to AUS:** SIHAO PTY LTD. 1 ROKEVA STREET EASTWOOD NSW 2122 Australia

**Imported to USA:** Sanven Technology Ltd. Suite 250, 9166 Anaheim Place, Rancho Cucamonga, CA 91730

<b>UK</b>	<b>REP</b>
-----------	------------

YH CONSULTING LIMITED. C/O YH Consulting Limited Office 147, Centurion House, London Road, Staines-upon-Thames, Surrey, TW18 4AX

<b>EC</b>	<b>REP</b>
-----------	------------

E-CrossStu GmbH  
Mainzer Landstr. 69,  
60329 Frankfurt am Main.

