

## ASSEMBLING & INSTALLATION INSTRUCTIONS

The drawing shown may not exactly match the product enclosed.  
However, the installation instructions do apply to this product.

- ◆ **WARNING! SHUT POWER OFF AT FUSE OR CIRCUIT BREAKER.**
- ◆ **ATTENTION! COUPER LE COURANT AU FUSIBLE OU UN DISJONCTEUR.**

### ASSEMBLING THE FIXTURE (Fig.1).

1. Attach the central tube (I) to the fixture body (J) by turning it clockwise until tight.
2. Place the tube (L) and the crystal cup (K) over the socket of the fixture body (J).
3. Install the light bulbs (Not included) in accordance with the fixture specifications.  
**NOTE: DO NOT EXCEED THE SPECIFIED WATTAGE!**

### HANGING THE FIXTURE (Fig.1)

1. Shut off the power at the circuit breaker and remove old fixture from ceiling, including the old single bar.
2. Carefully unpack new fixture and lay all the parts on a clear surface.
3. Mount the plastic anchor (A) to the ceiling. Secure the mounting plate (B) onto the junction box, using junction box screws (D) and uses the wood screw (C) to tighten the mounting back plate. The side of the mounting back plate marked "GND" must be facing out (See illustration). **The junction box is not included.**
4. Open one link of the chain (G) and connect to the loop of the tube (I). Close the link (H).
5. By measuring, determine correct number of links needed for proper hanging height. Using proper chain pliers disconnect and discard remaining chain.
6. Lace the fixture wires through the chain.
7. Open the other end link of the chain (G) and hang the fixture on the loop at the ceiling. Close the link.
8. Lace the fixture wires, ground wires through the loop and canopy (E) and pull until taut.

### CONNECTING THE WIRES (Fig.2)

1. Take the black wire from the junction box and the black wire from the fixture and twist bare ends together. Twist wire connector onto end of wire until snug.
2. Repeat same process with white junction box wire and white wire of fixture wire. **NOTE:** Twist wires together in the same direction you twist the wire connector onto wires.
3. If your junction box has a grounding wire (green or bare copper), attach this wire and the bare copper wire from the fixture together as **step 1**. If junction box has no ground wire, attach the bare copper fixture wire to the green ground screw on the mounting plate.
4. Put the lamp body onto the ceiling, aligning the screws on the mounting plate with the mounting holes on the canopy (E). Lock it securely with the ball nut (F).

**Your installation is now complete. Return power to the junction box and test the fixture.**

FIG.1

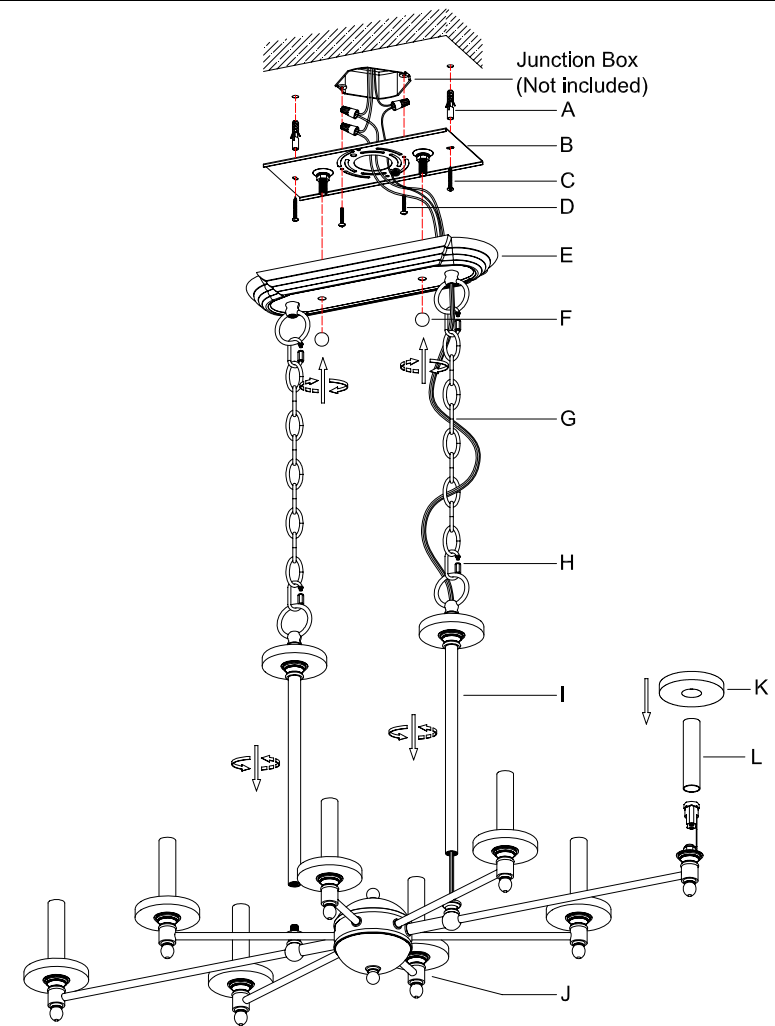
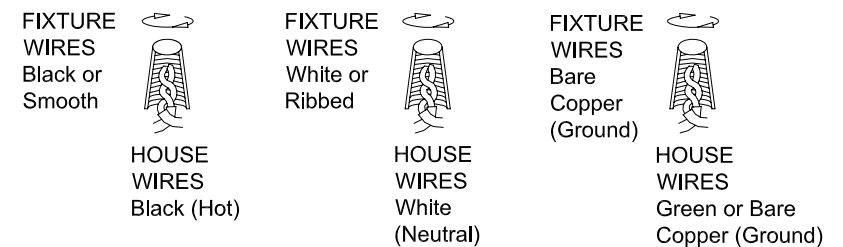


FIG.2



Thank you for purchasing our product.  
Need assistance with parts or assembly? Please call customer service