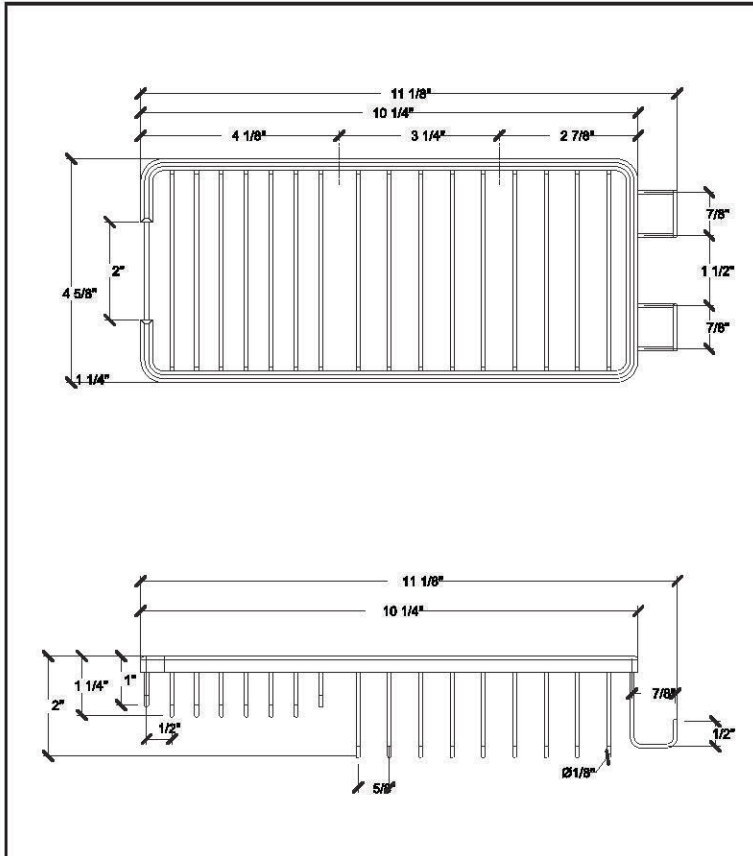
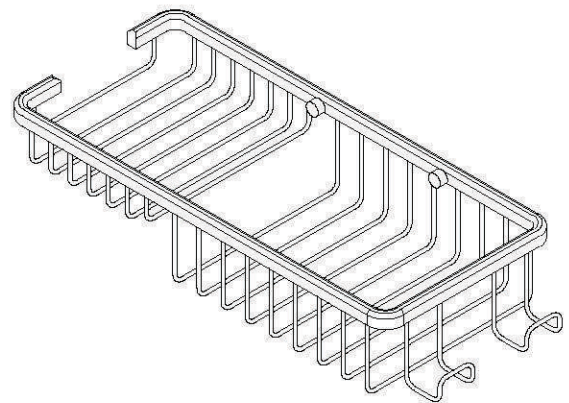
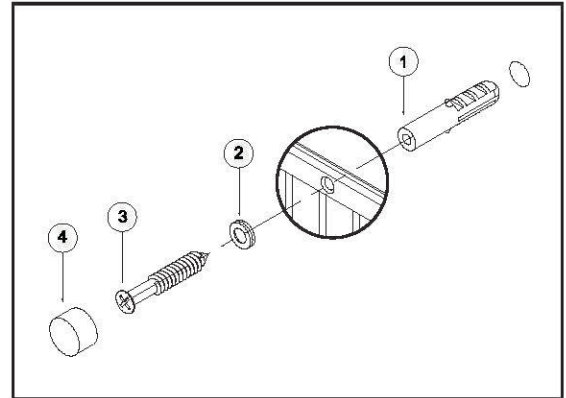


Soap Basket - Stainless Steel

Dimension



Installation



Installation for Drywall and Tile :

1. Hold basket up to wall and use pencil to mark location through screw holes.
2. Drill screw holes and insert plastic screw anchors (1).
3. Insert round plastic cap fixers (2) into screw with flat edge up.
4. Affix soap basket to wall by screwing screw into screw anchors.
5. Screw caps (4) onto top of screws.

For Installation to Wood Stud or Wood Cabinet, omit steps 2 and 3 above.