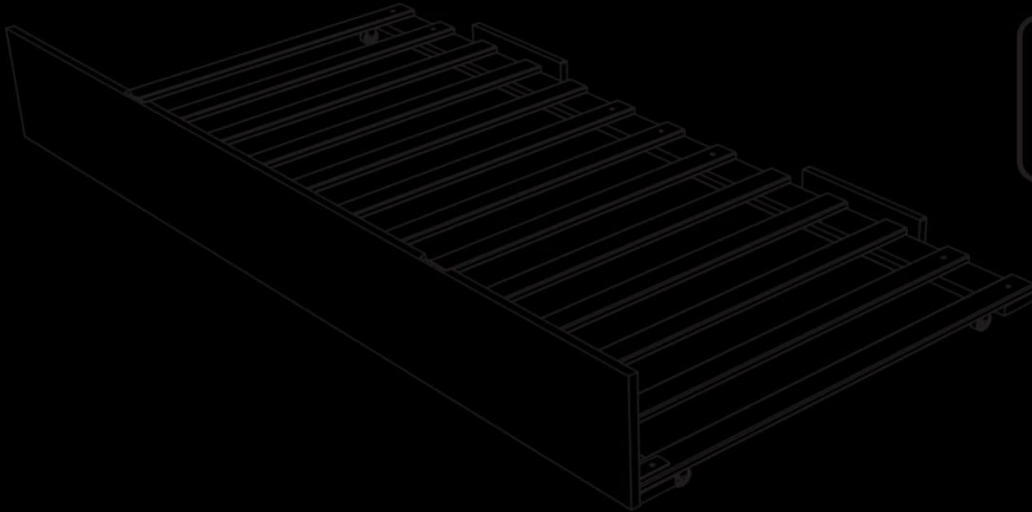


## ASSEMBLY INSTRUCTIONS

Before assembling your Trundle bed, please read through these instructions carefully. Familiarize yourself with the different parts.



Adult assembly



Allen wrench

PO :

## HARDWARE

NOTE: WE INCLUDE SPARE HARDWARE IN CASE DAMAGE OCCURS DURING ASSEMBLY.



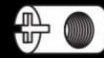
**A** JCB M6 X 2 3/8" ( 60mm ) - 4 pcs  
Spare - 1 pc



**B** JCB M6 X 1 3/4" ( 45mm ) - 17 pcs  
Spare - 2 pcs



**C** JCB M6 X 5/8" ( 15mm ) - 6 pcs  
Spare - 2 pcs  
Fix L bracket to front panel



**D** Barrel nut - 4 pcs  
Spare - 1 pc  
For JCB M6 X 2"(50mm )



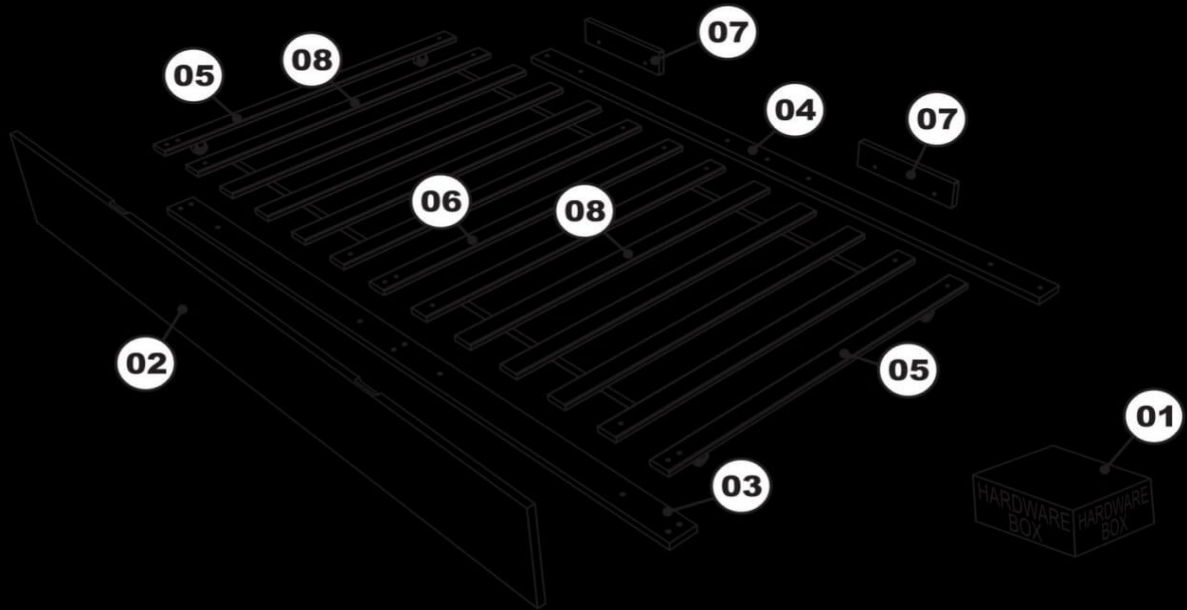
L Bracket - 3 pcs



Allen wrench - 1 pc  
Spare - 1 pc

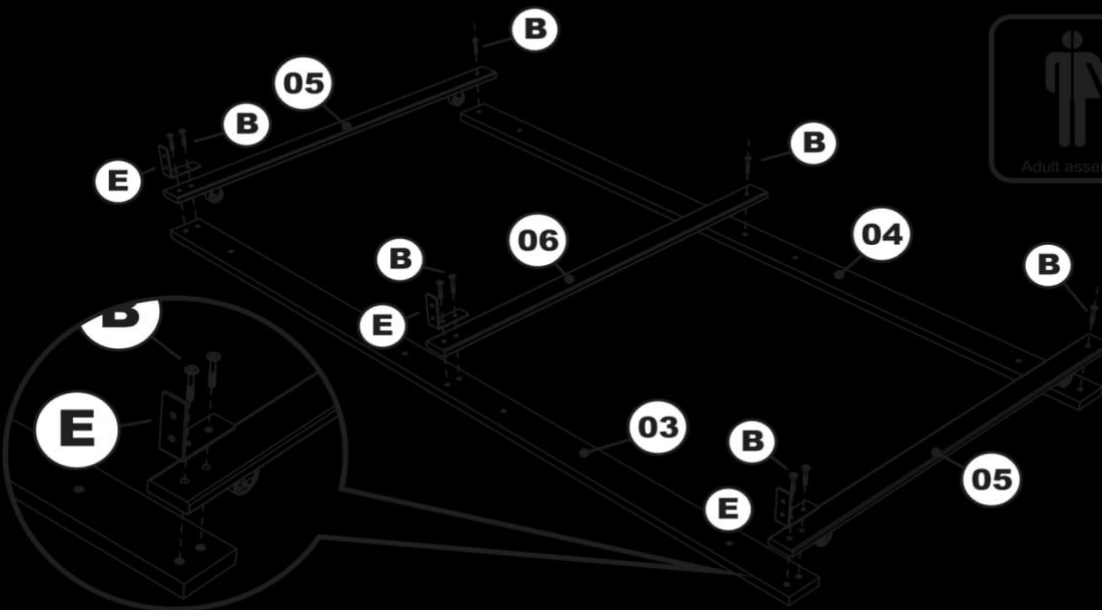
## PARTS LIST

01	HARDWARE	1 BOX	05	SIDE CROSS RAIL	2 PCS
02	FRONT PANEL	1 PC	06	CENTER CROSS RAIL	1 PC
03	FRONT RAIL	1 PC	07	REAR BLOCK	2 PCS
04	BACK RAIL	1 PC	08	SLAT KIT	2 SET



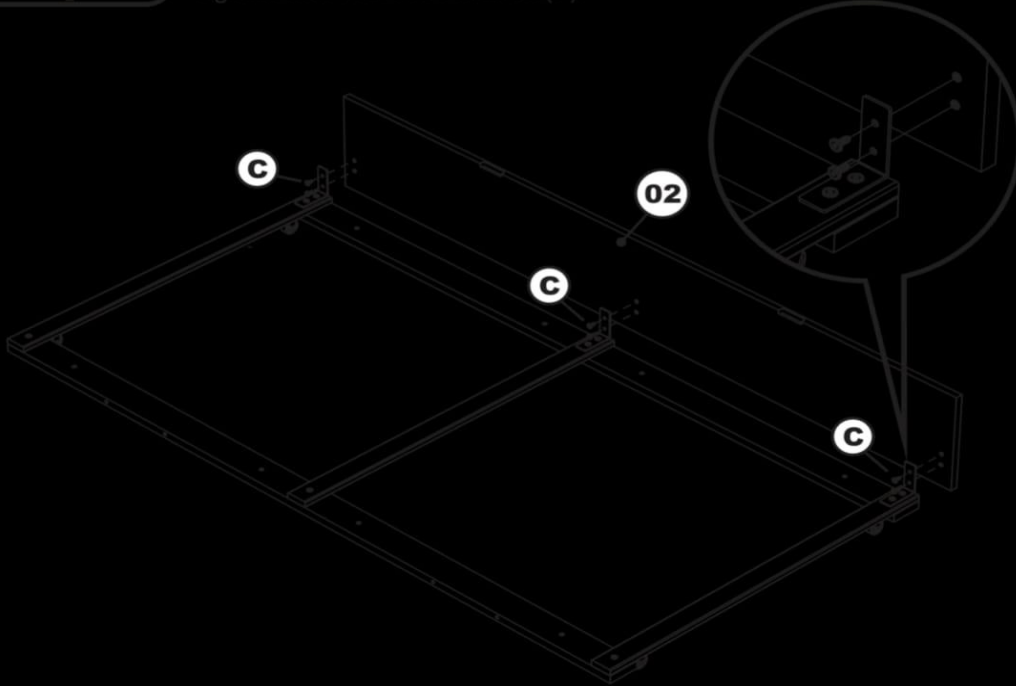
### Step 1

Attach the side cross rails (05) and center cross rail (06) to the front and back rail (03)(04), using L bracket (E), JCB M6 X 1 3/4" (B). Tighten with the Allen wrench (F).



## Step 2

Attach the front panel (02) to the front rail as shown, using JCB M6 X 5/8" (C). Tighten with the Allen wrench (F).



C

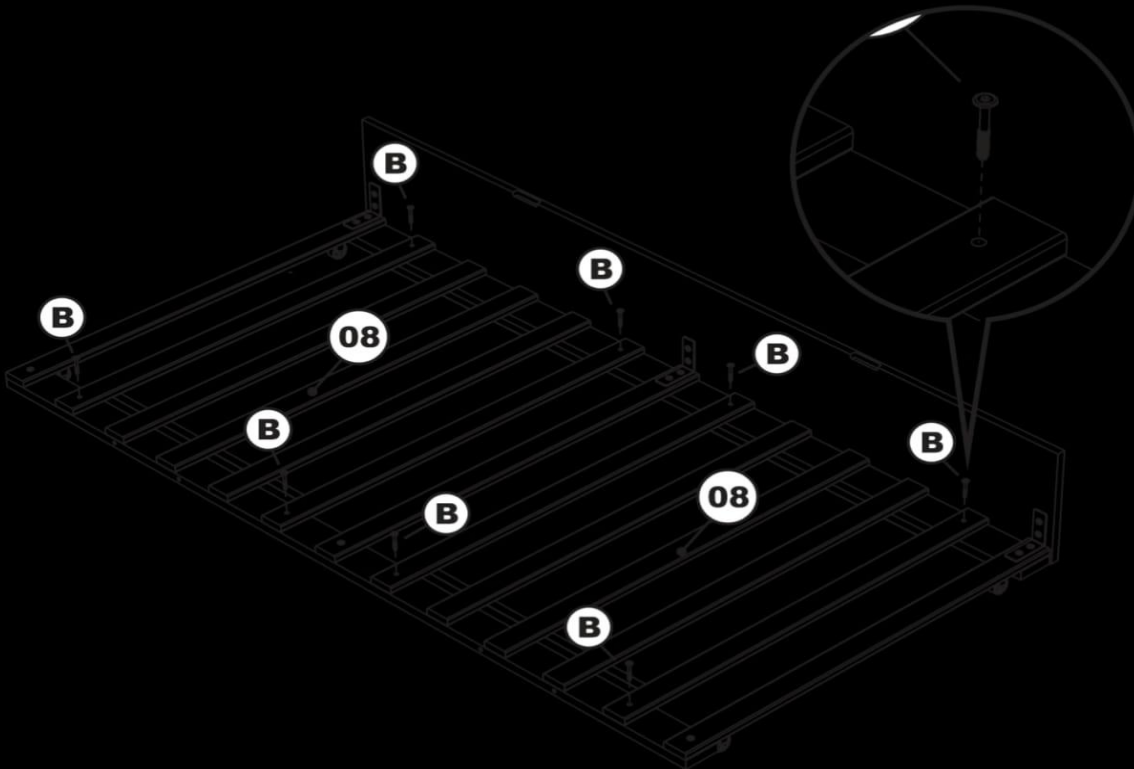


F



## Step 3

Lay the slat kit (08) onto the rail assembly as shown, using JCB M6 X 1 3/4" (B). Tighten with the Allen wrench (F).



B

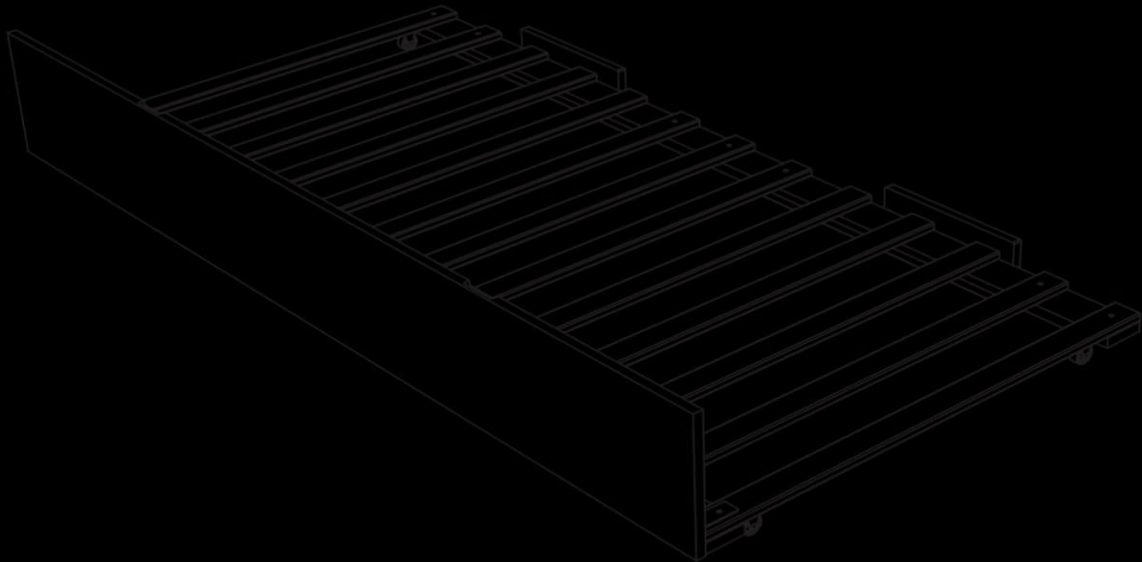
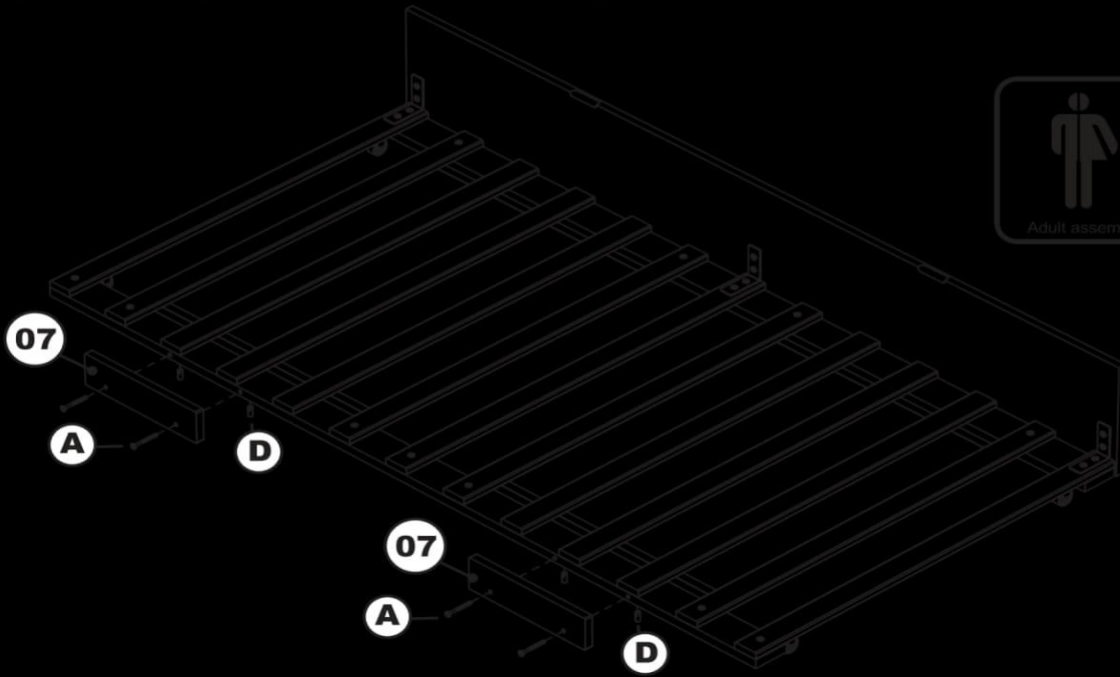


F



### Step 4

Attach the rear block (07) to the back rail as shown. Using JCB M6 X 2 3/8"(A) barrel nut (D), tighten with the Allen wrench (F)



### Congratulations!

Your Trundle bed is now ready for use.  
We recommend that you periodically check that all screws are tight  
and all parts are secure to ensure lasting safety.