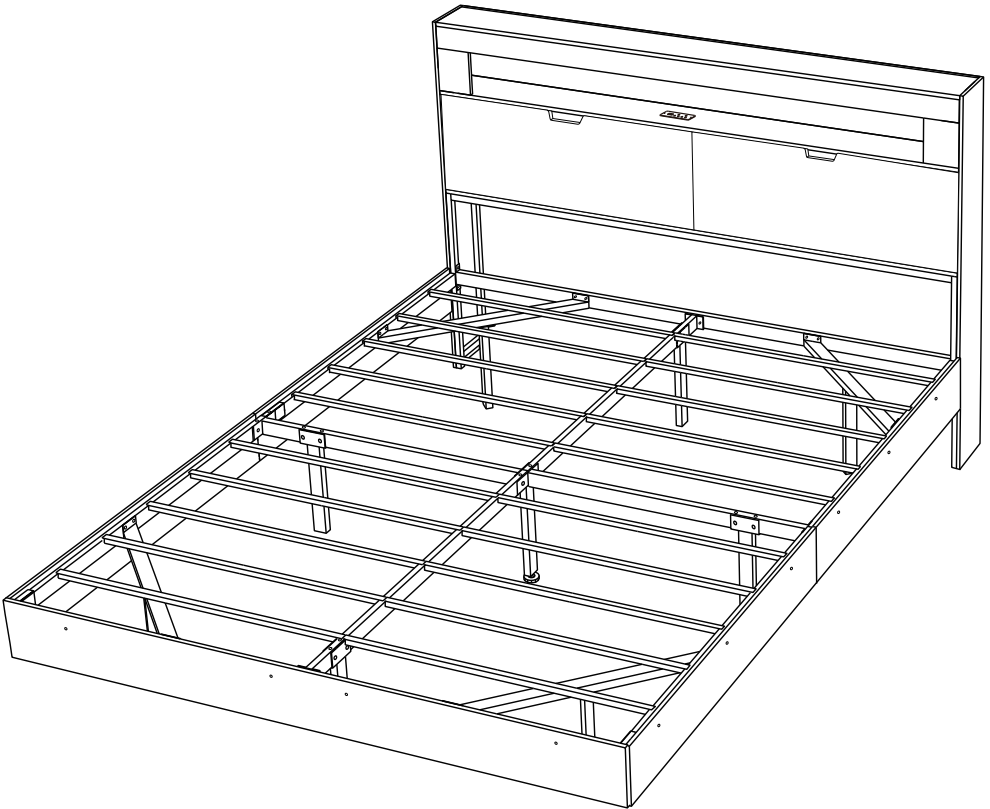


Bed Frame Assembly Instructions



Scan the QR code
to watch the
assembly video

BD011-QUEEN



Need help? Email us at support@bedserve.com

Bed Frame Assembly Instructions

Dear Customer,

Thank you for choosing our bed frame! Before you start assembling, please take a couple of minutes to review the tips below to ensure a smooth and safe assembly. If you have any issues during the assembly, please reach out to us at:

support@bedserve.com

IMPORTANT NOTES:

- Please keep these instructions for future reference.
- After receiving all the packages, unpack all the parts and assemble the bed on a soft surface (like a carpet or mat) to avoid scratching the components.
- We recommend having two people for assembly.
- If you notice any unusual smell while assembling, don't worry — this is normal. Just place the product in a well-ventilated area (like a balcony or patio) for 1–2 days. Our products are certified and safe, so there's no need to worry about health risks.

Return/Damage Claims:

- If your package arrives damaged, please reach out to us with photos of the damage. For non-human caused quality issues, we will do our best to resolve them. Returns due to personal reasons will require you to cover the return shipping fee.
- To return an item, it must be in brand new, unopened condition within 30 days of receipt. Please use the return label we provided. Do not mix labels across different boxes.
- Returns after 30 days may not be processed. Thank you for your understanding.
- The product comes with a 1-year warranty. For issues caused by non-human factors, we'll replace any defective parts for free. After the warranty period or for accidental damage, parts can be replaced at your cost for shipping.

Assembly Guide

Before starting, make sure you have all the parts listed in the manual. If something is missing, stop the assembly and contact us immediately.

Tips:

- Don't tighten the screws completely until all parts are aligned.
- If screws don't align with the holes, slightly loosen them and tighten diagonally.
- If the frame feels uneven or unstable after assembly, loosen nearby screws, adjust the alignment, then re-tighten in a diagonal pattern.

Limited Warranty

We're dedicated to providing great customer service and making your experience as smooth as possible.

Return Policy: You can return the product within 30 days of receipt, as long as it's in brand new, unused condition. We'll inspect the returned product and issue a refund once we confirm it's undamaged.

Warranty Coverage: The product is covered by a 1-year warranty starting from the purchase date. We'll replace parts for free in case of non-human-caused damage. For personal damage, parts can be replaced at your cost for shipping.

Exclusions:

1. Claims submitted after the warranty period will not be considered.
2. Products purchased by mistake are not covered.

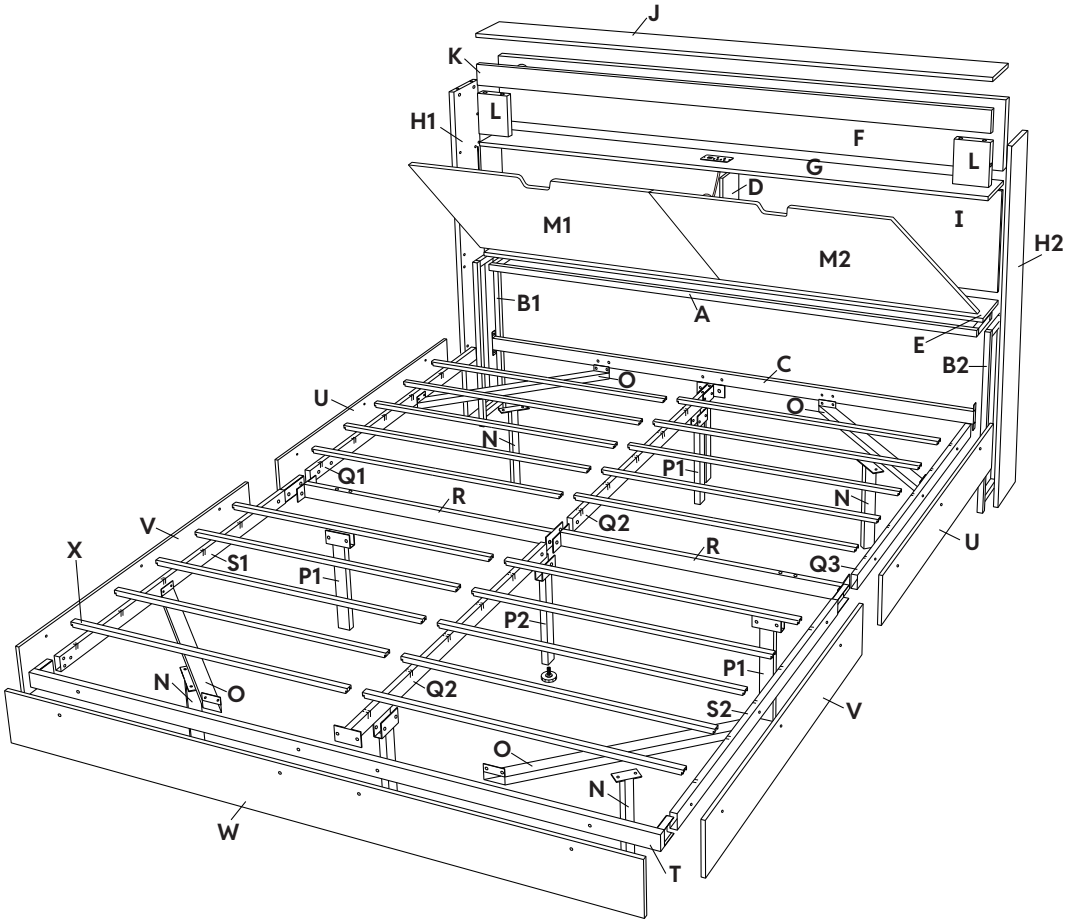
Any defects in materials or craftsmanship will be repaired or replaced within a reasonable time, free of charge. We reserve the right to ask for the return of damaged parts.

Note: Natural wood grain variations, fabric wrinkles, and slight color differences are considered normal features, not defects.


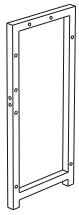

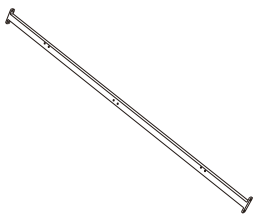
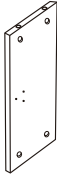
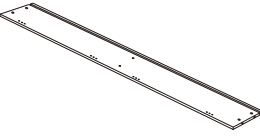
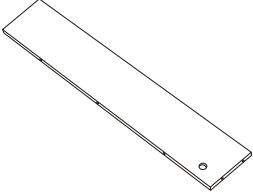
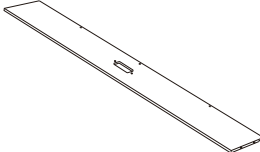
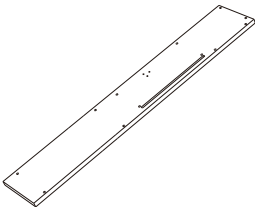
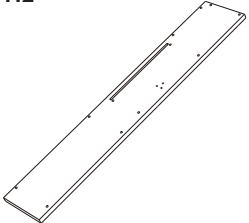
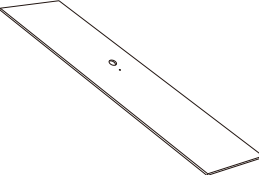
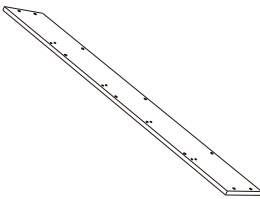
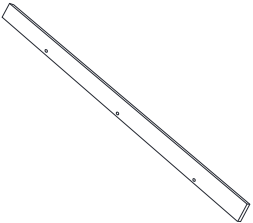
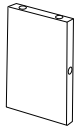
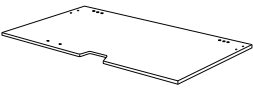
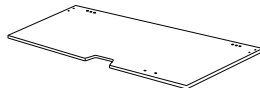
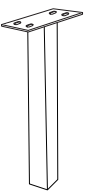
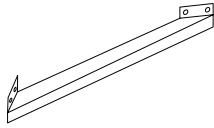
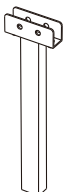
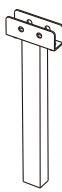
If you have any questions regarding the warranty, please contact us at **support@bedserve.com**. Be ready to provide your name, address, phone number, product model, order number, purchase date, and store name for quick processing.

This warranty gives you specific legal rights, and you may have other rights that vary depending on your location.

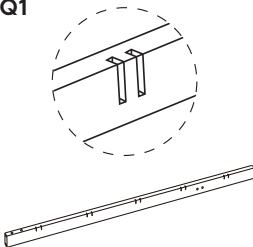
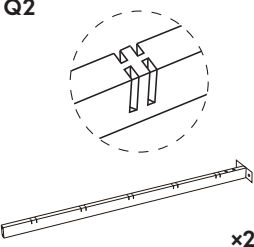
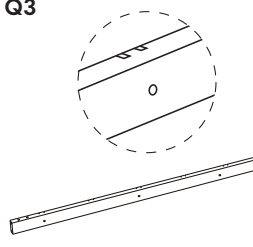
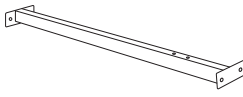
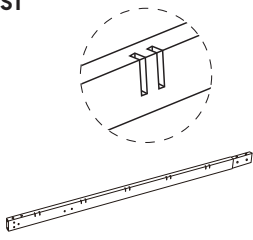
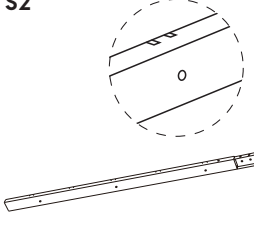
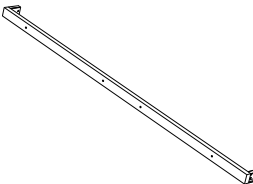
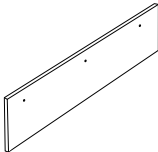
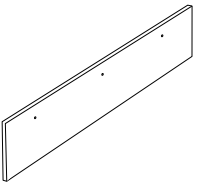
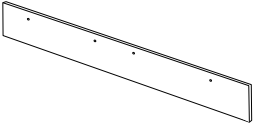
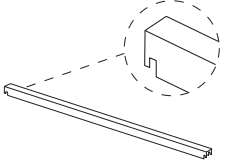
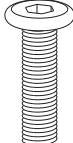
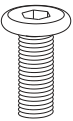
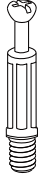
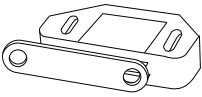

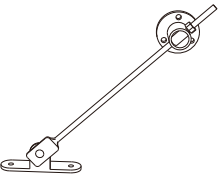

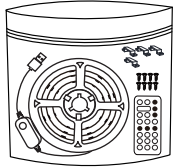

MADE IN CHINA



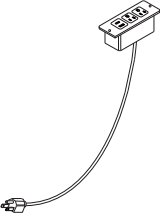
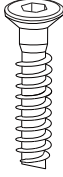

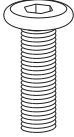
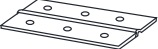
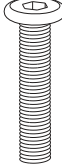
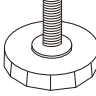




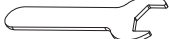



Parts list

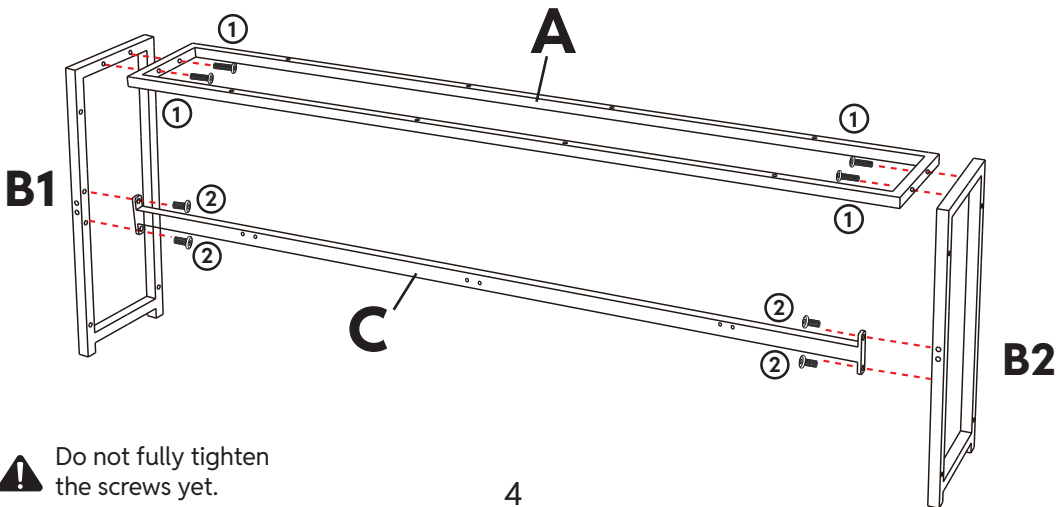
| | | | |
|---|---|--|---|
| <p>A</p>  | <p>B1</p>  | <p>B2</p>  | <p>C</p>  |
| <p>D</p>  | <p>E</p>  | <p>F</p>  | <p>G</p>  |
| <p>H1</p>  | <p>H2</p>  | <p>I</p>  | <p>J</p>  |
| <p>K</p>  | <p>L</p>  <p style="text-align: right;">x2</p> | <p>M1</p>  | <p>M2</p>  |
| <p>N</p>  <p style="text-align: right;">x4</p> | <p>O</p>  <p style="text-align: right;">x4</p> | <p>P1</p>  <p style="text-align: right;">305mm x4</p> | <p>P2</p>  <p style="text-align: right;">290mm</p> |

Parts list

| | | | |
|---|---|--|---|
| <p>Q1</p>  | <p>Q2</p>  <p>x2</p> | <p>Q3</p>  | <p>R</p>  <p>x2</p> |
| <p>S1</p>  | <p>S2</p>  | <p>T</p>  | <p>U</p>  <p>1000mm x2</p> |
| <p>V</p>  <p>1030mm x2</p> | <p>W</p>  | <p>X</p>  <p>x20</p> | <p>①</p>  <p>M6x35mm x10</p> |
| <p>②</p>  <p>M6x16mm x68</p> | <p>③</p>  <p>7x40mm x29</p> | <p>④</p>  <p>x2</p> | <p>⑤</p>  <p>M4x12mm x54</p> |
| <p>⑥</p>  <p>x4</p> | <p>⑦</p>  <p>M12 x29</p> | <p>⑧</p>  | <p>⑨</p>  <p>x8</p> |

Parts list

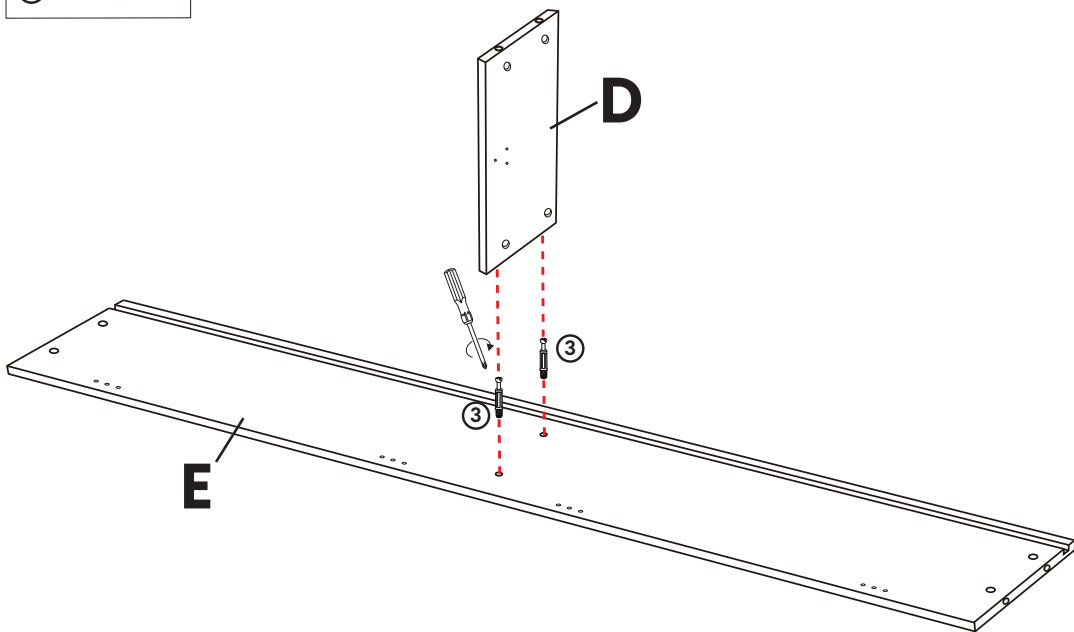
| | | | |
|--|--|--|---|
| <p>10</p>  | <p>11</p>  <p>M7x40mm x7</p> | <p>12</p>  <p>x14</p> | <p>13</p>  <p>M6x30mm x14</p> |
| <p>14</p>  <p>x4</p> | <p>15</p>  <p>M6x50mm x10</p> | <p>16</p>  | <p>17</p>  <p>x2</p> |
| <p>18</p>  | <p>19</p>  | <p>20</p>  <p>5mm</p> | <p>21</p>  |
| <p>STEP 1</p> <p>1  x4</p> <p>2  x4</p> | | | <p>22</p>  <p>4mm</p> |



! Do not fully tighten the screws yet.

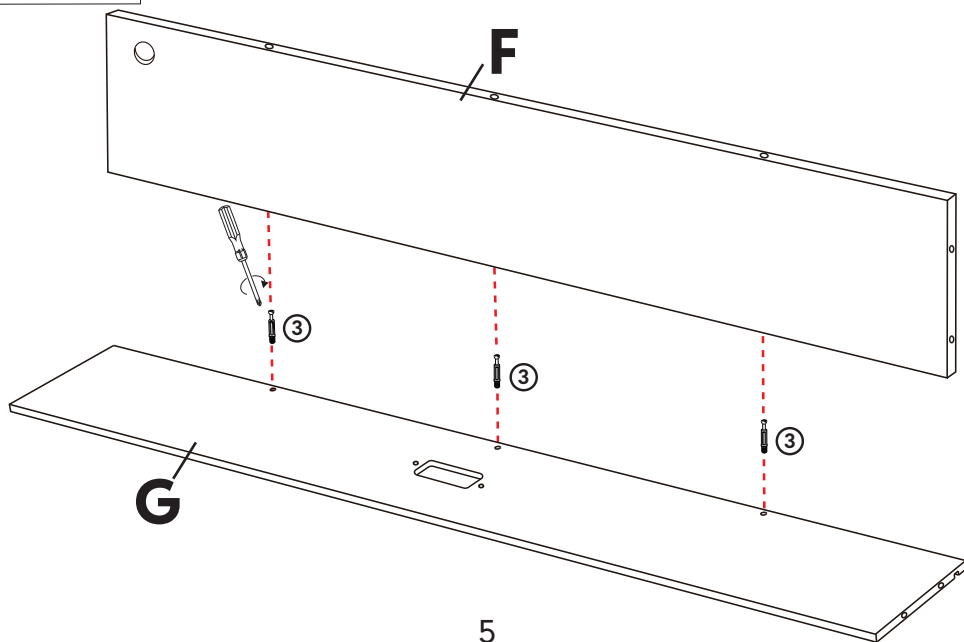
STEP 2

③  x2



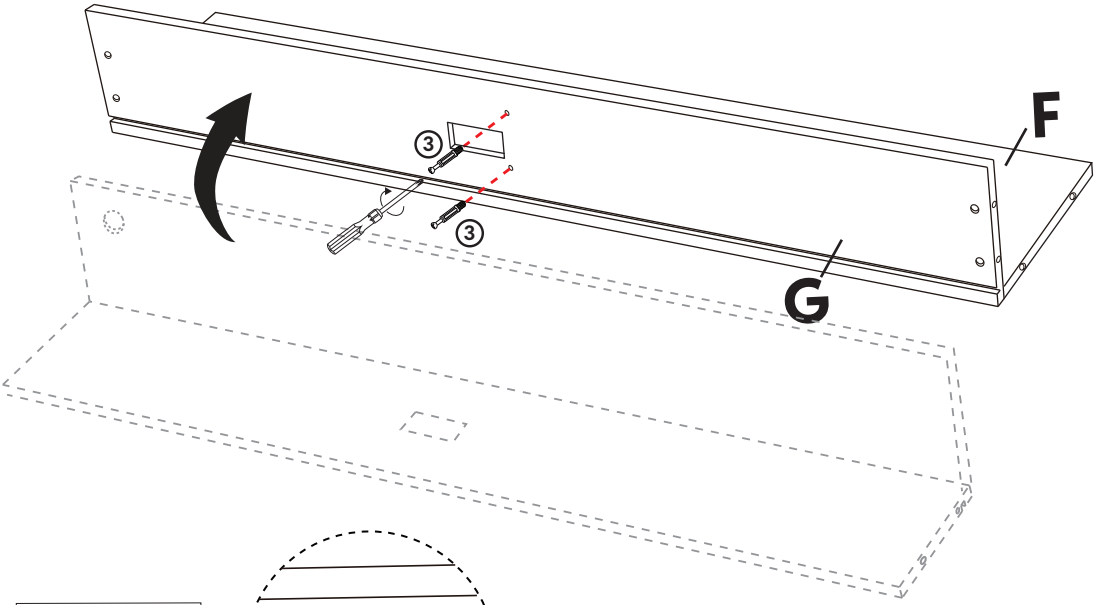
STEP 3

③  x3



STEP 4

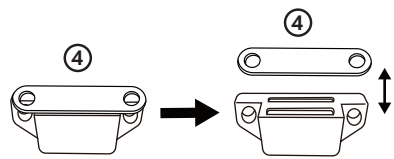
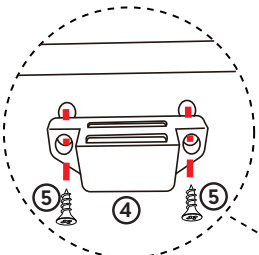
③  x2




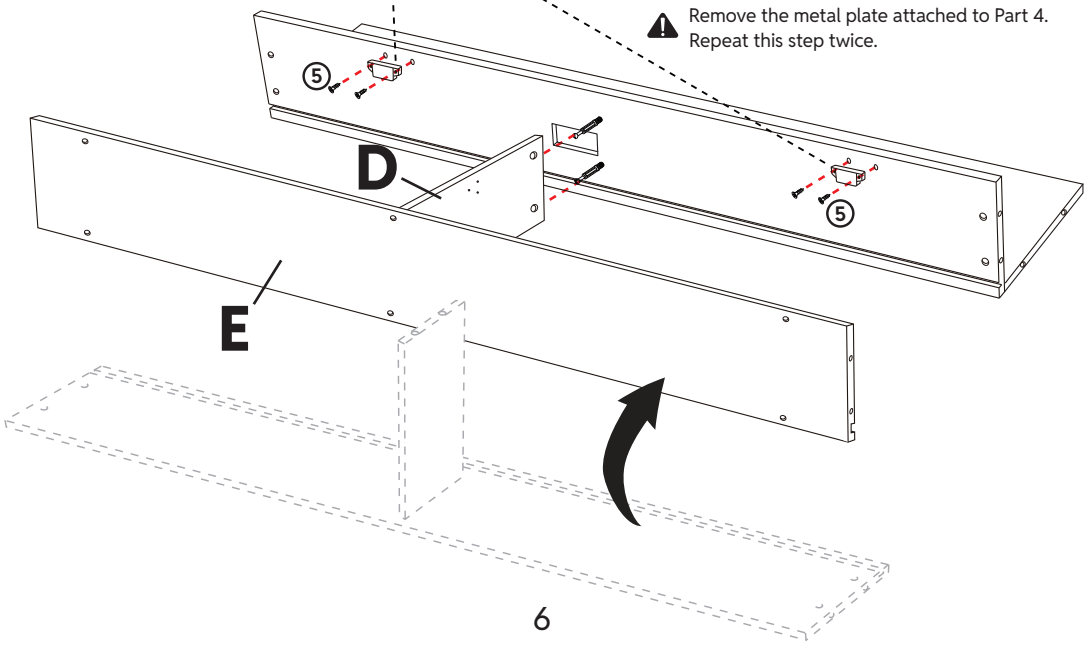
STEP 5

④  x2

⑤  x4



 Remove the metal plate attached to Part 4.
Repeat this step twice.



STEP 6

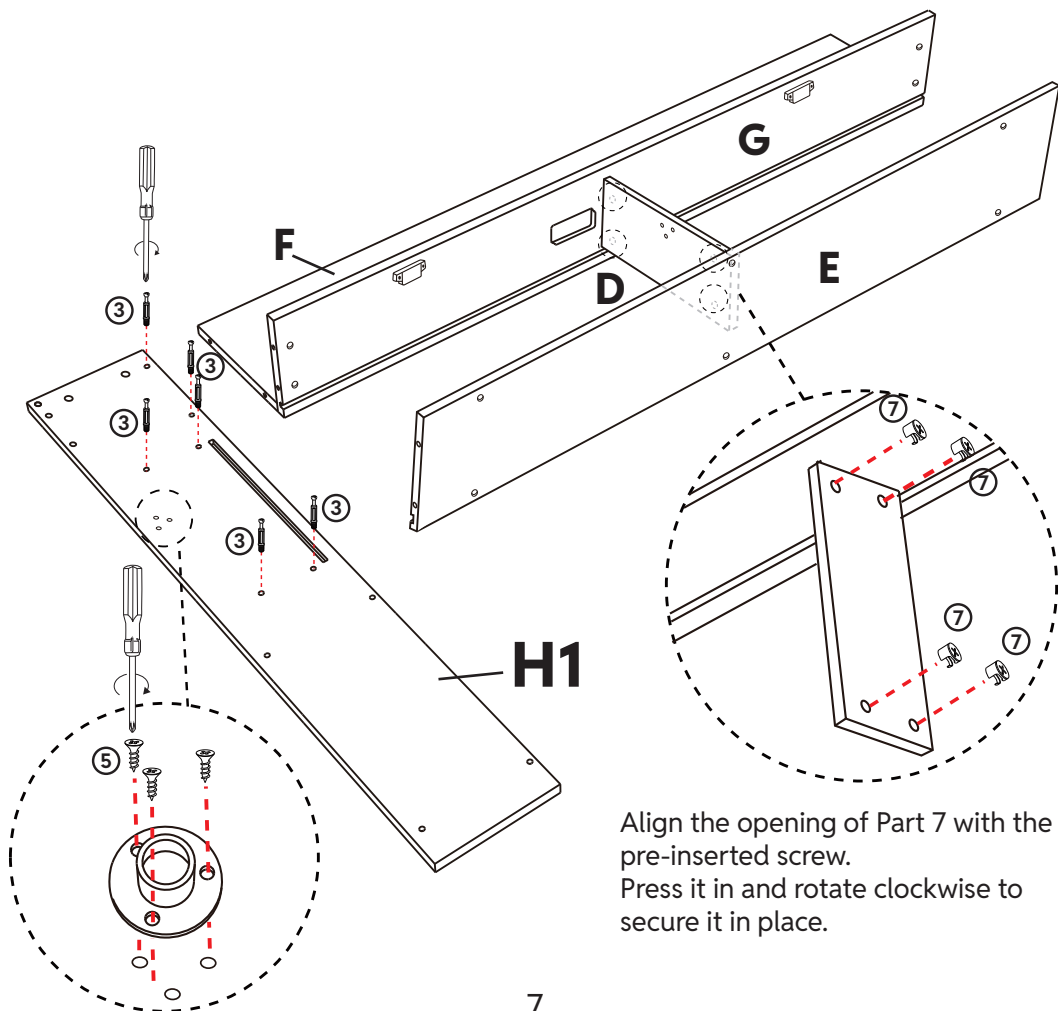
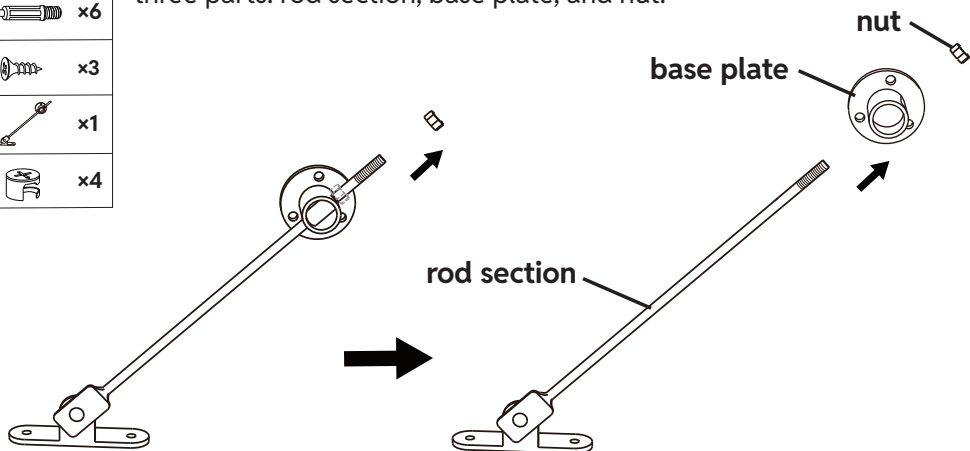
Unscrew the nut to separate Part 6 into three parts: rod section, base plate, and nut.

③  x6

⑤  x3

⑥  x1

⑦  x4

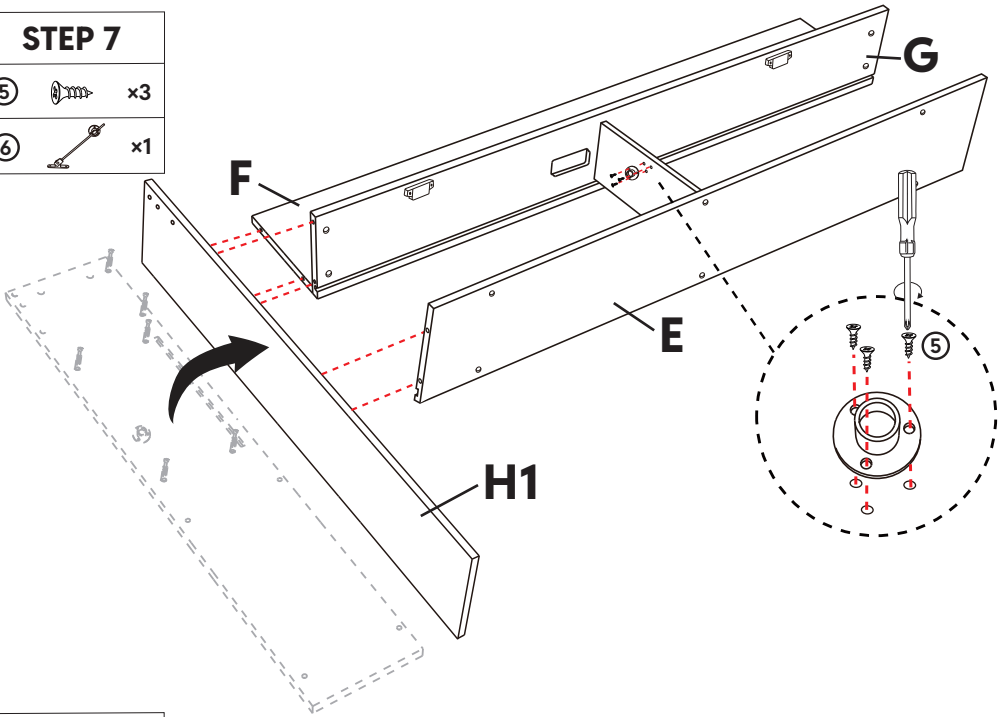


Align the opening of Part 7 with the pre-inserted screw. Press it in and rotate clockwise to secure it in place.


STEP 7

⑤  x3

⑥  x1



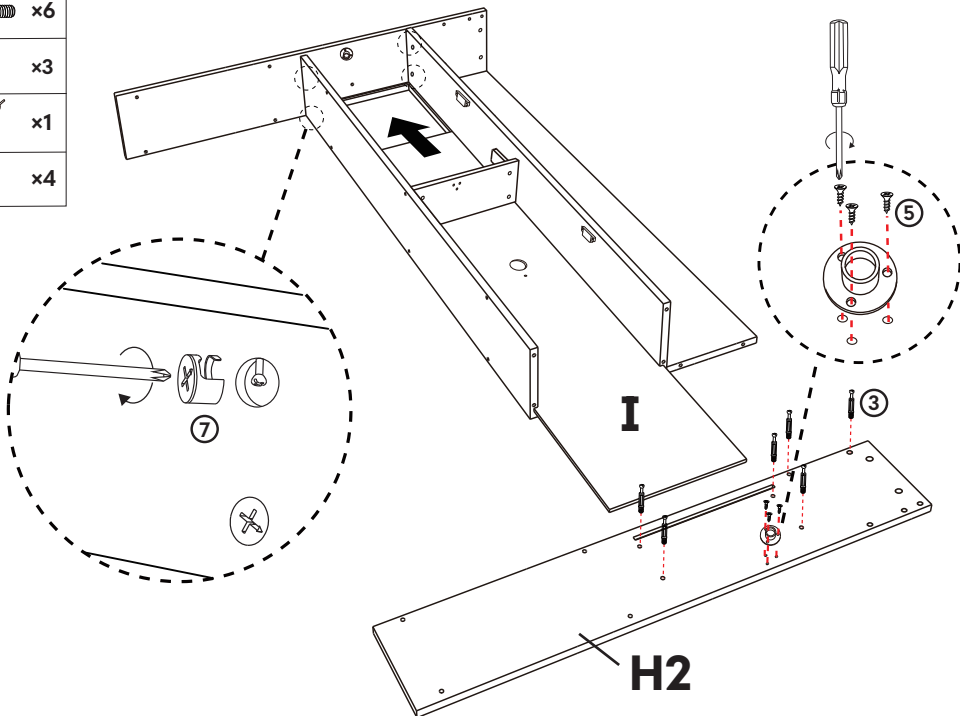
STEP 8

③  x6

⑤  x3

⑥  x1

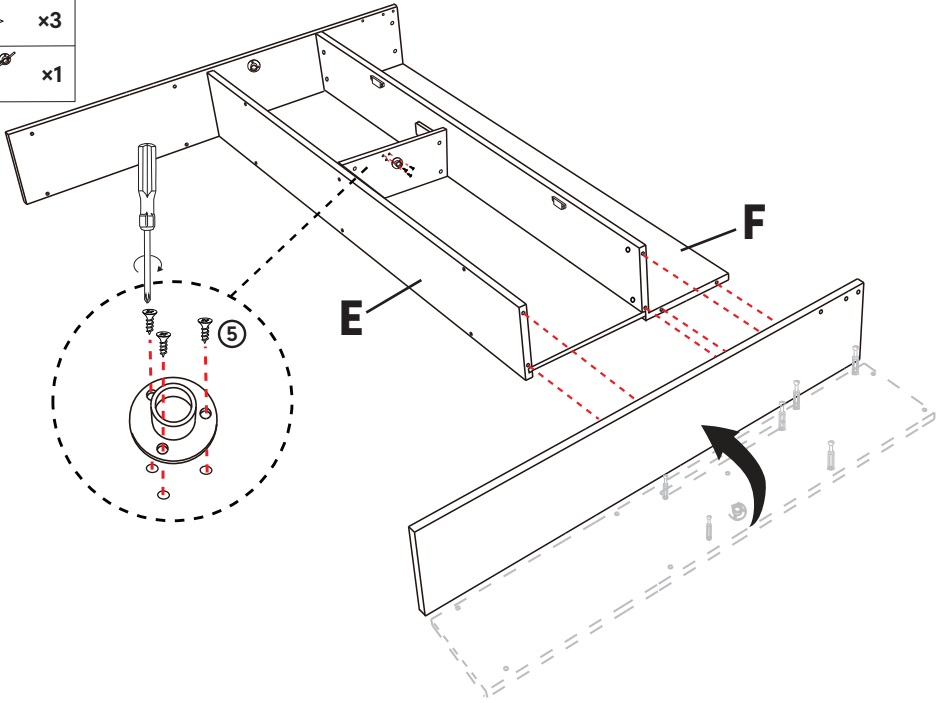
⑦  x4



STEP 9

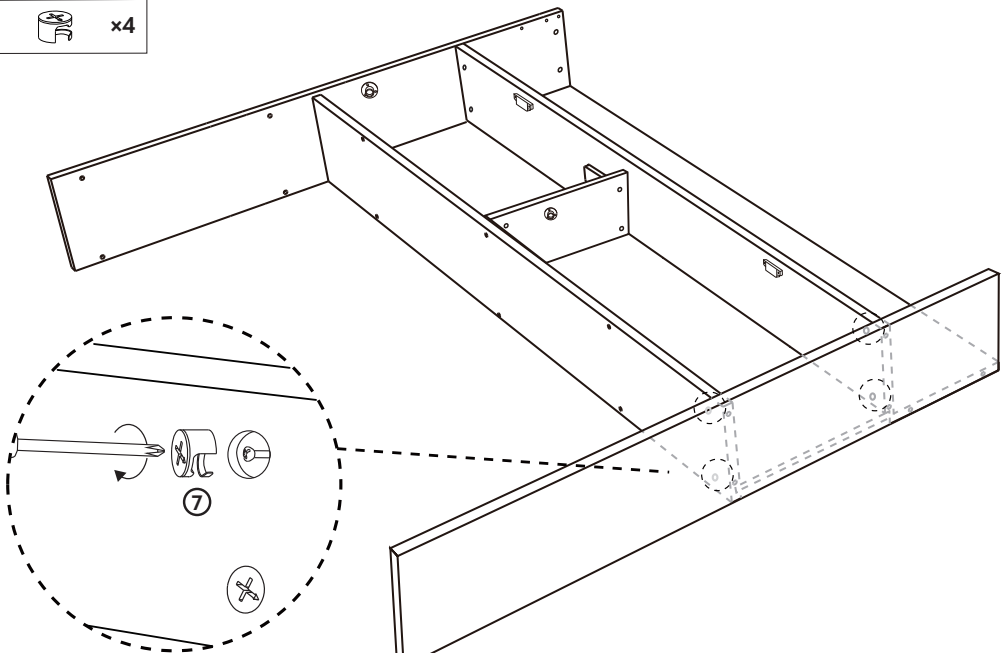
⑤  x3

⑥  x1



STEP 10

⑦  x4

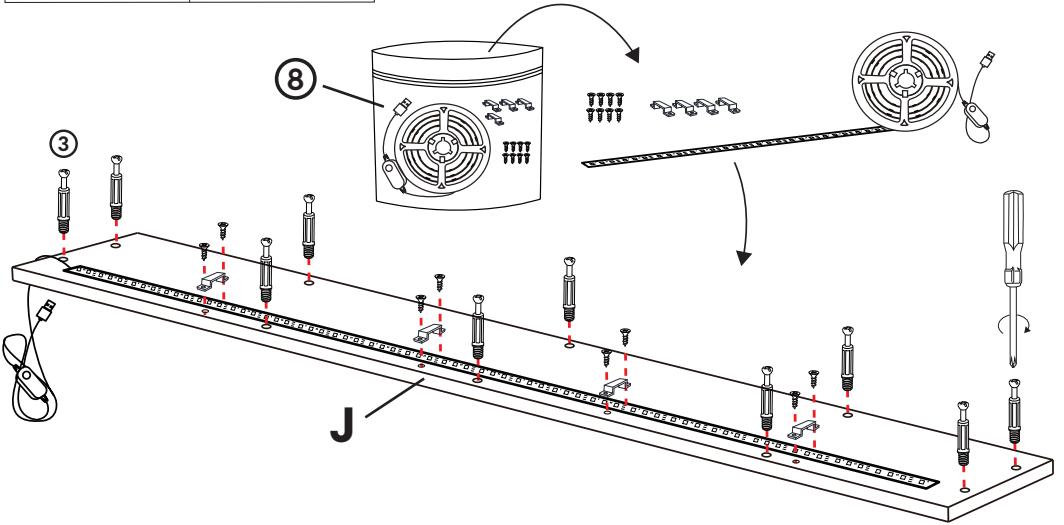


STEP 11

⑧

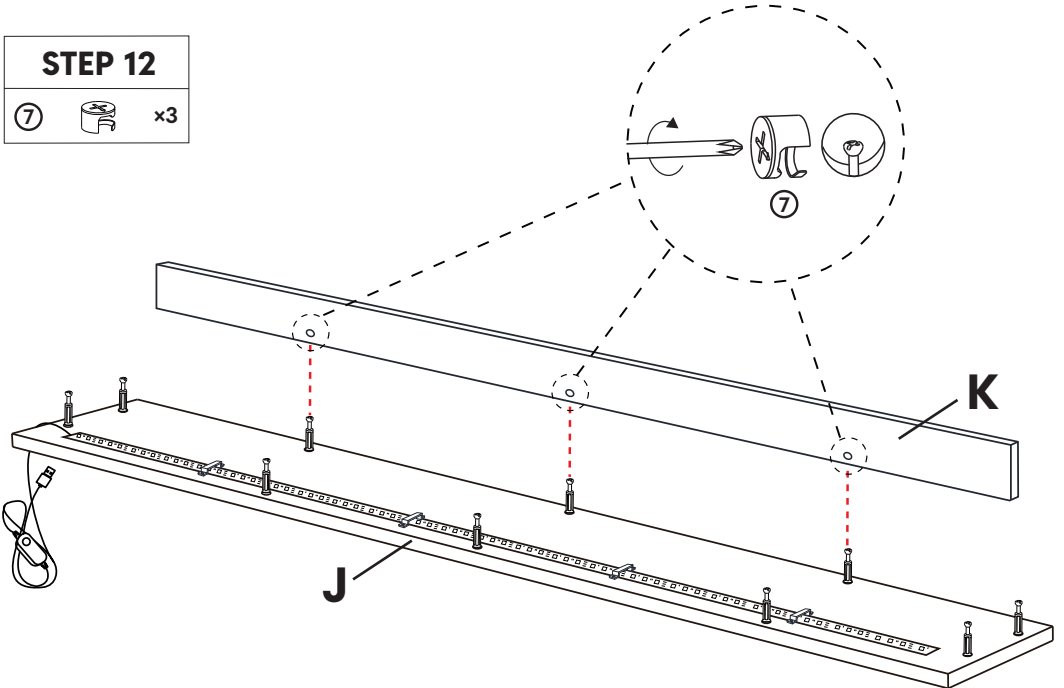


③ x10



STEP 12

⑦ x3

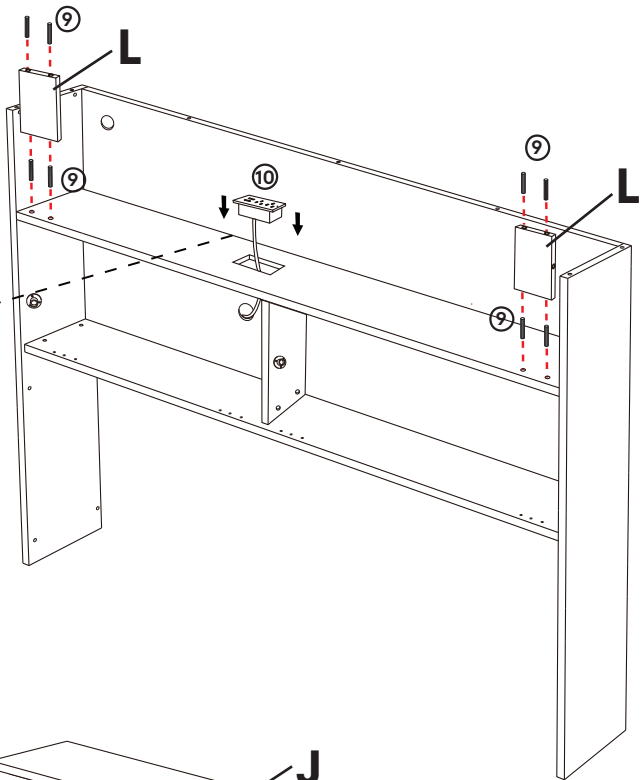


STEP 13

⑨  x8

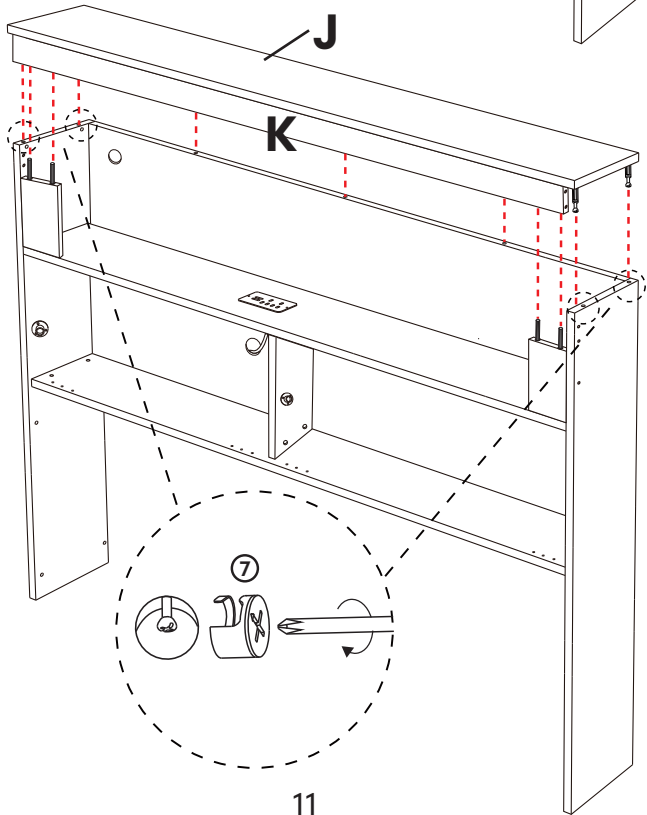
⑩  x1

⑤  x2



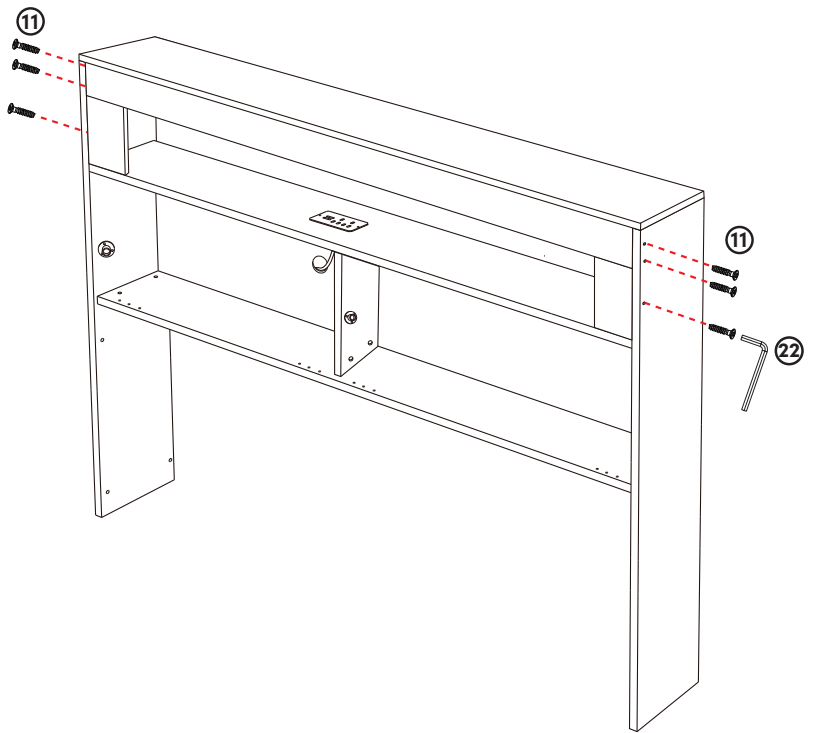
STEP 14

⑦  x4



STEP 15

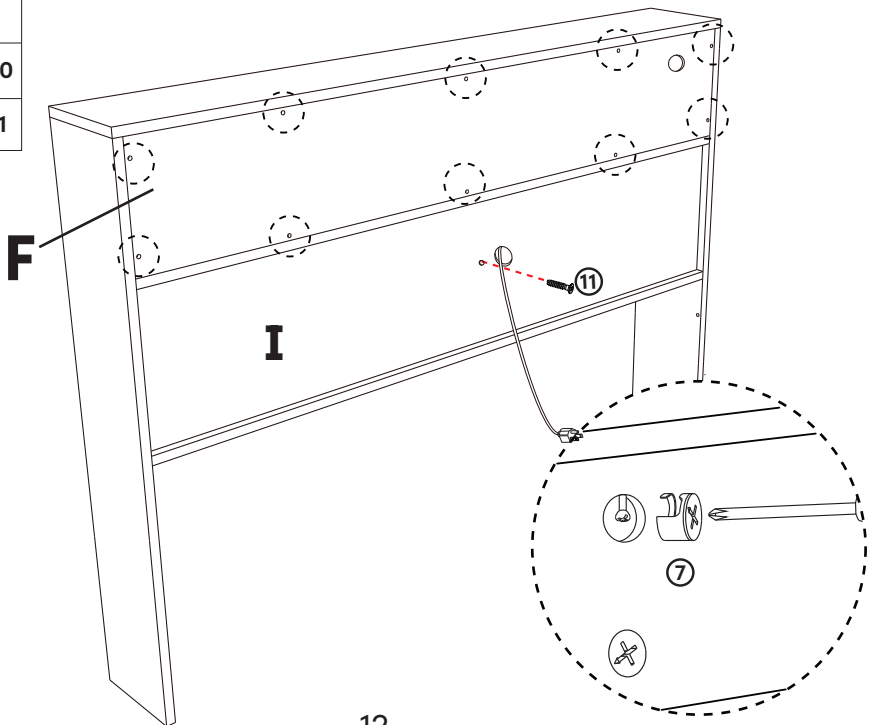
⑪  x6



STEP 16

⑦  x10

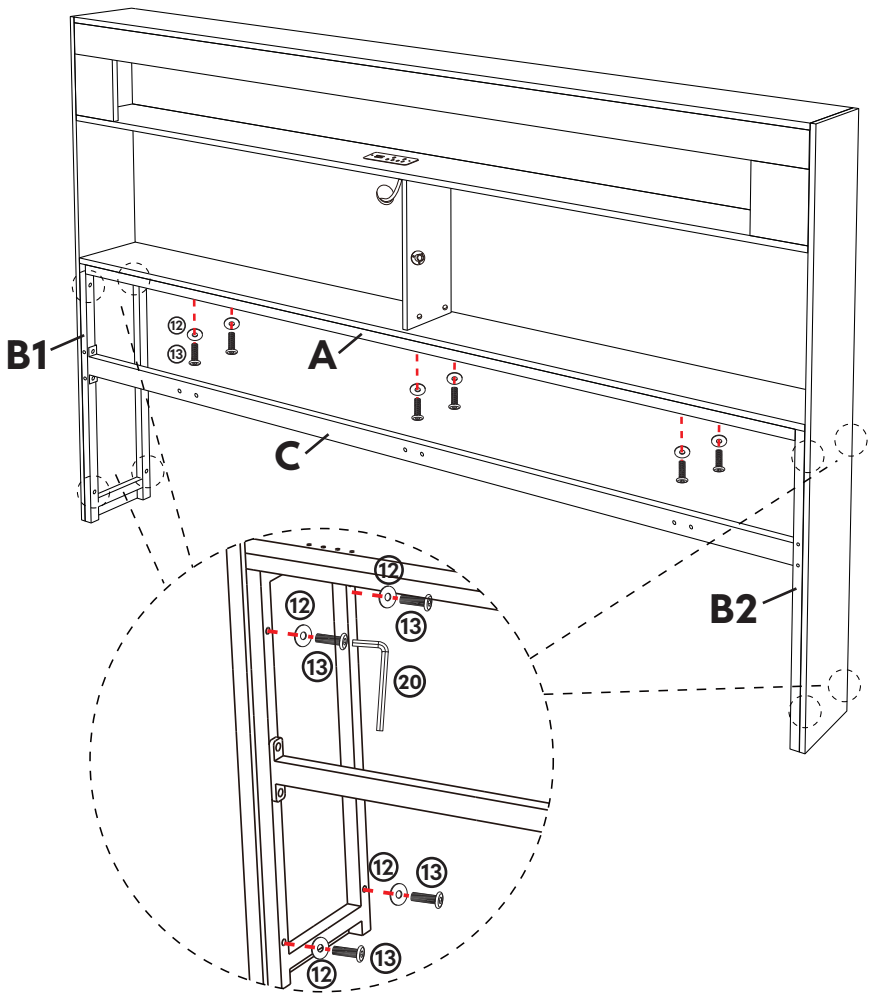
⑪  x1



STEP 17

⑫ ○ x14

⑬ ⚙ x14



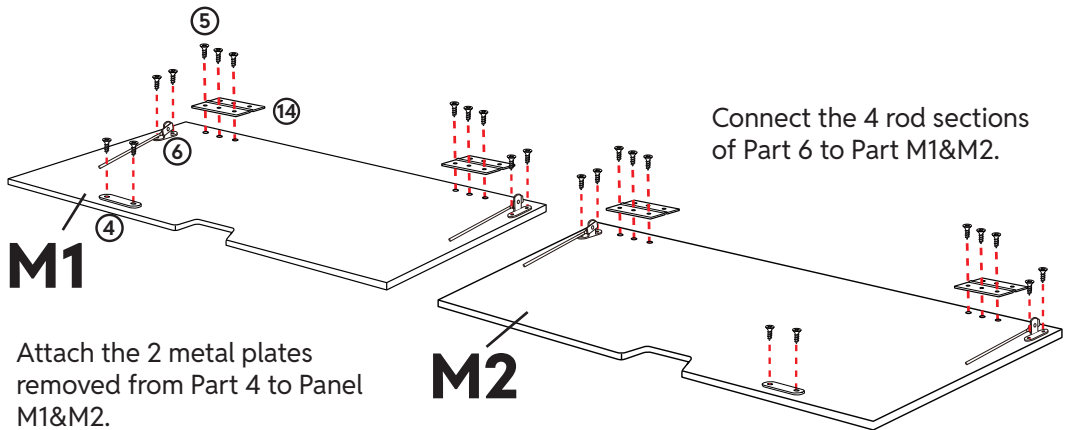
STEP 18

④ 📄 x2

⑤ ⚙ x24

⑥ ⚙ x4

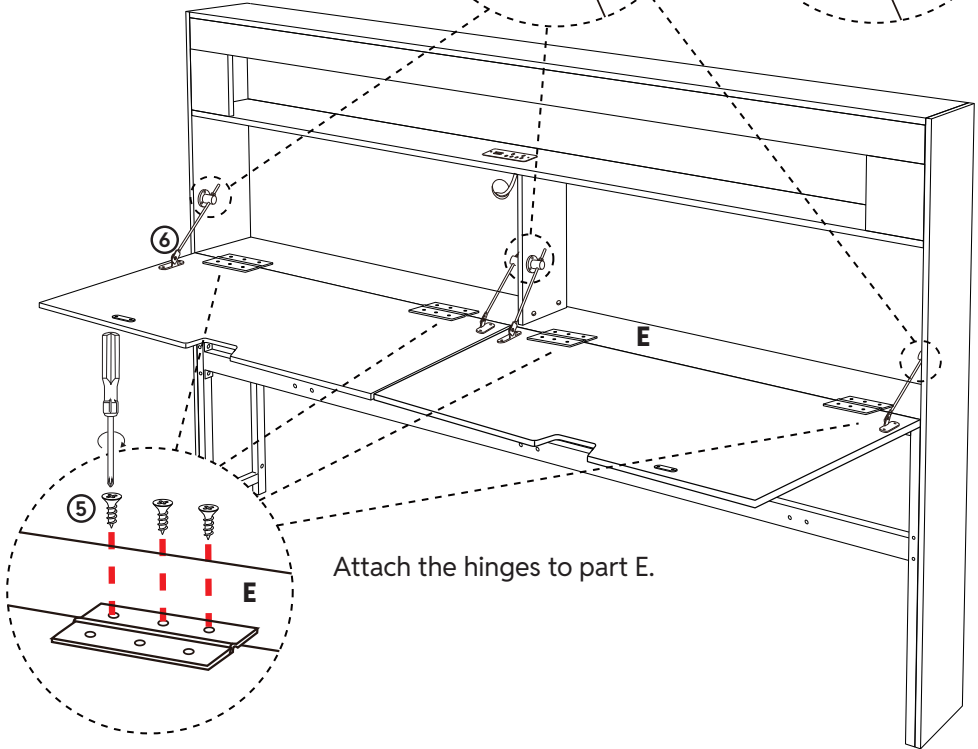
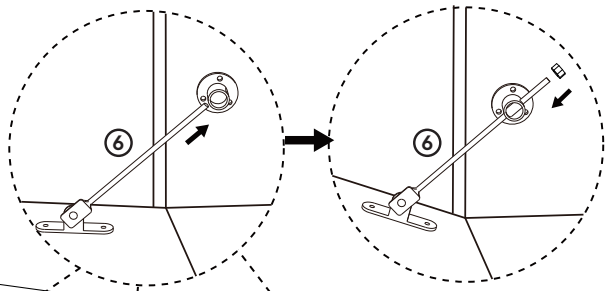
⑭ 📄 x4



STEP 19

⑤  x12

Insert the rod sections of Part 6 on both the left and right sides through the base plates simultaneously. Then tighten the nuts.

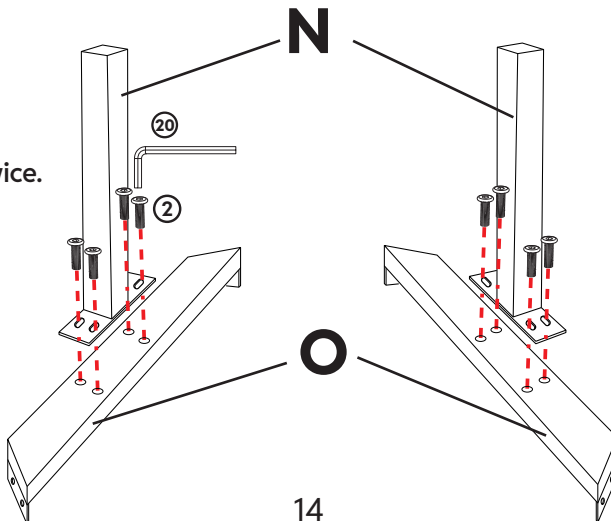


Attach the hinges to part E.

STEP 20

②  x16

Repeat this step twice.

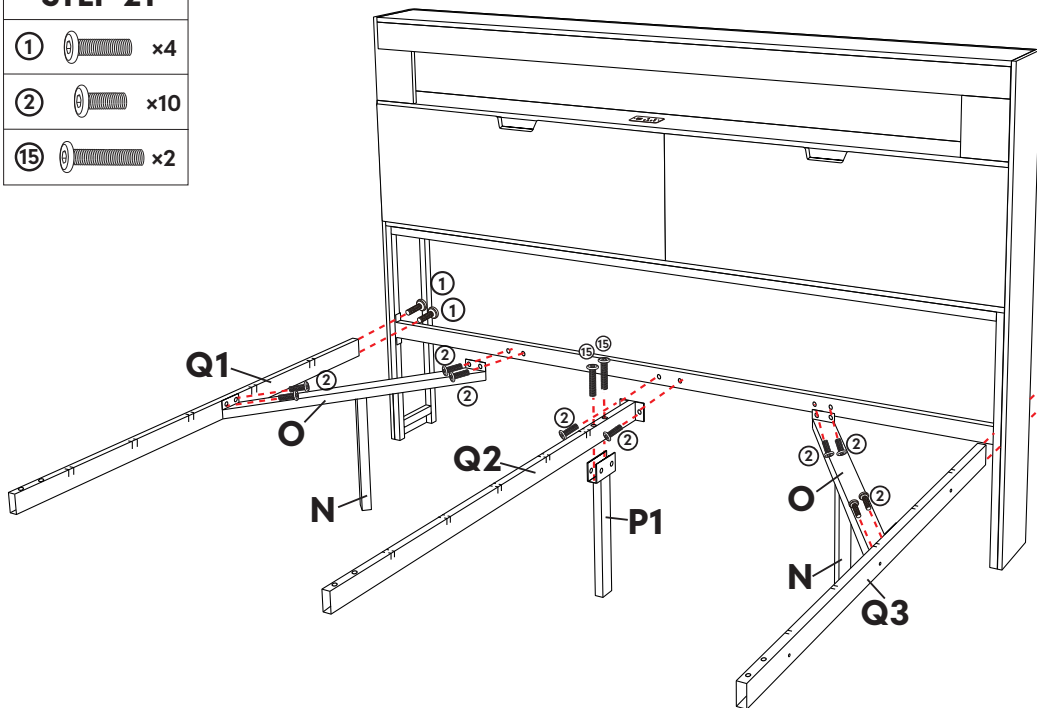


STEP 21

① 1 x4

② 1 x10

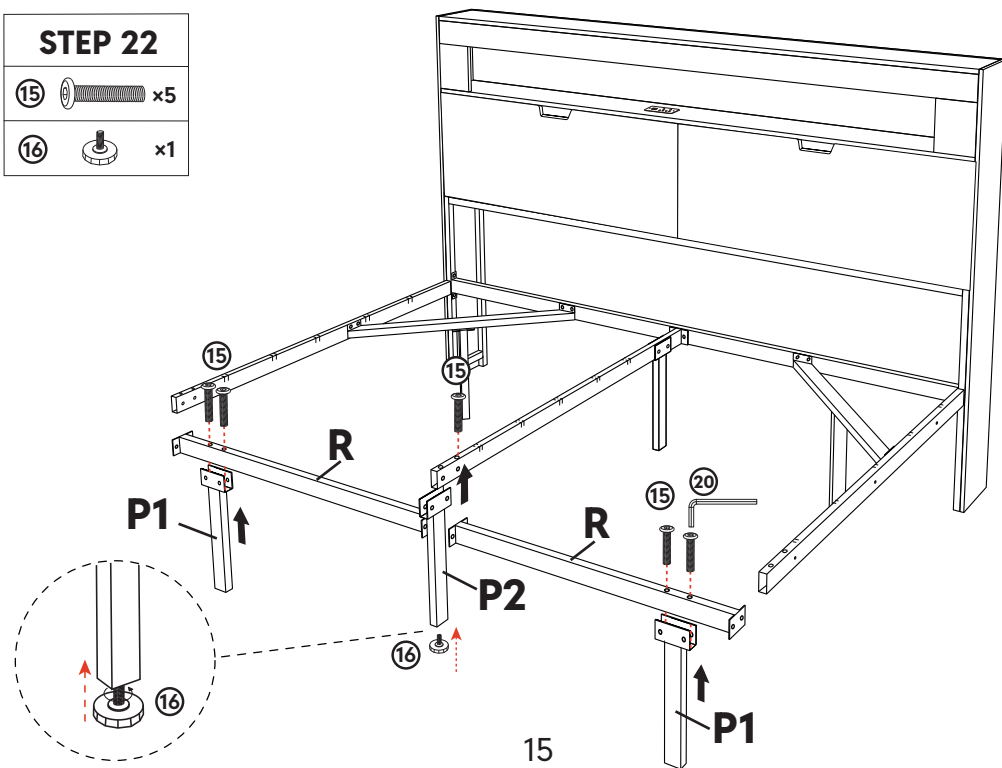
⑮ 1 x2




STEP 22

⑮ 1 x5

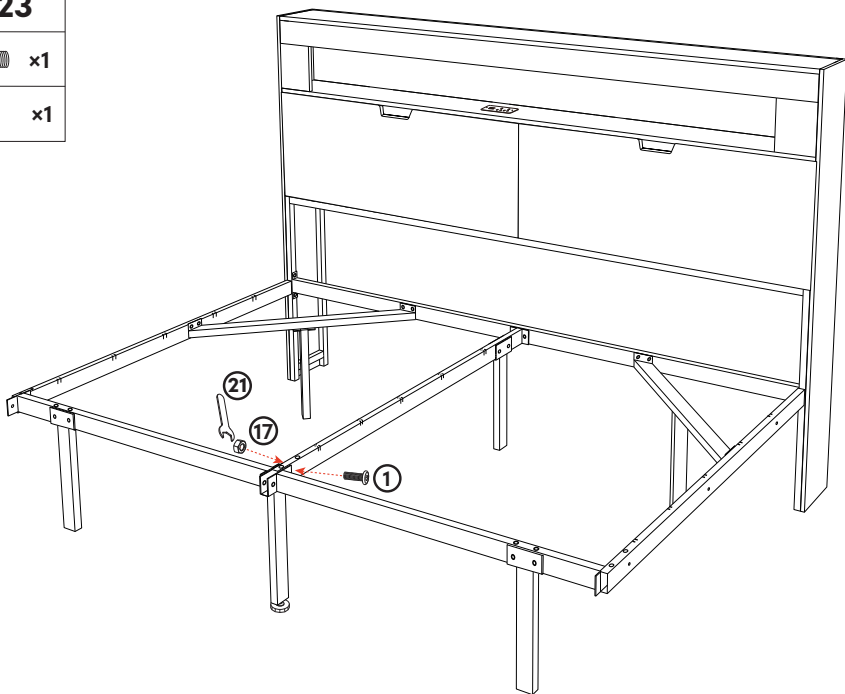
⑯ 1 x1



STEP 23

①  x1

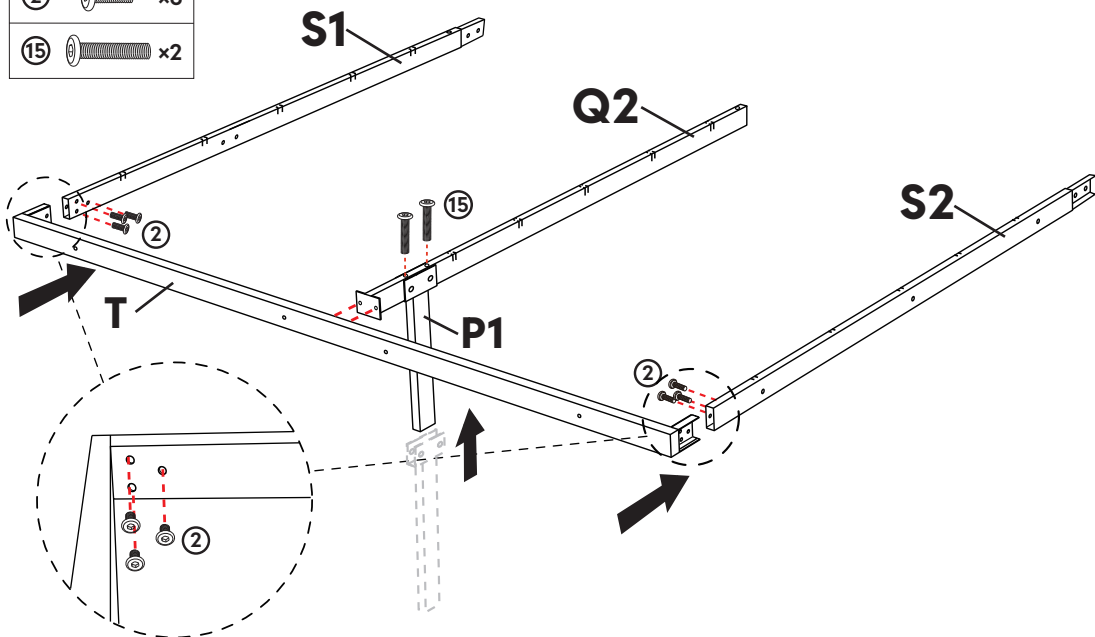
⑰  x1



STEP 24

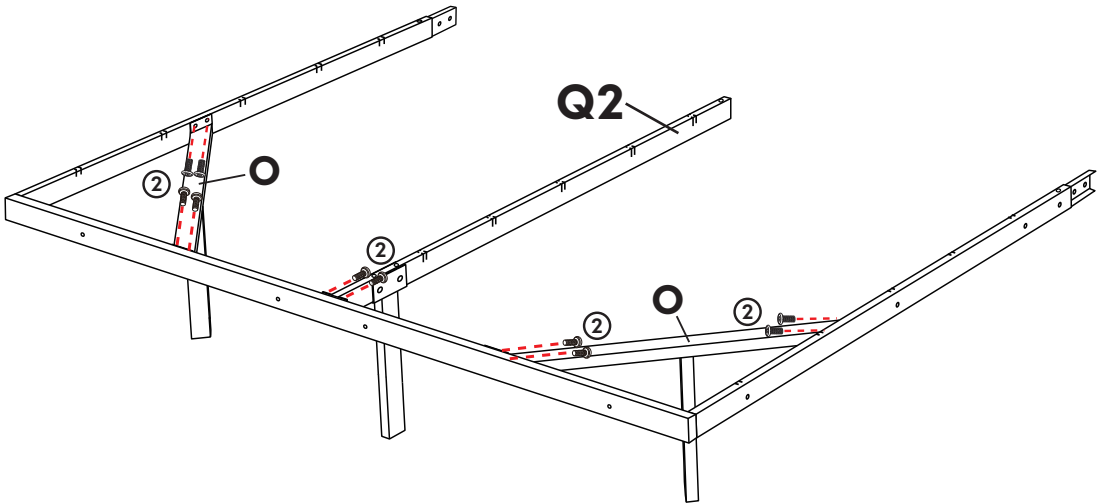
②  x6

⑮  x2

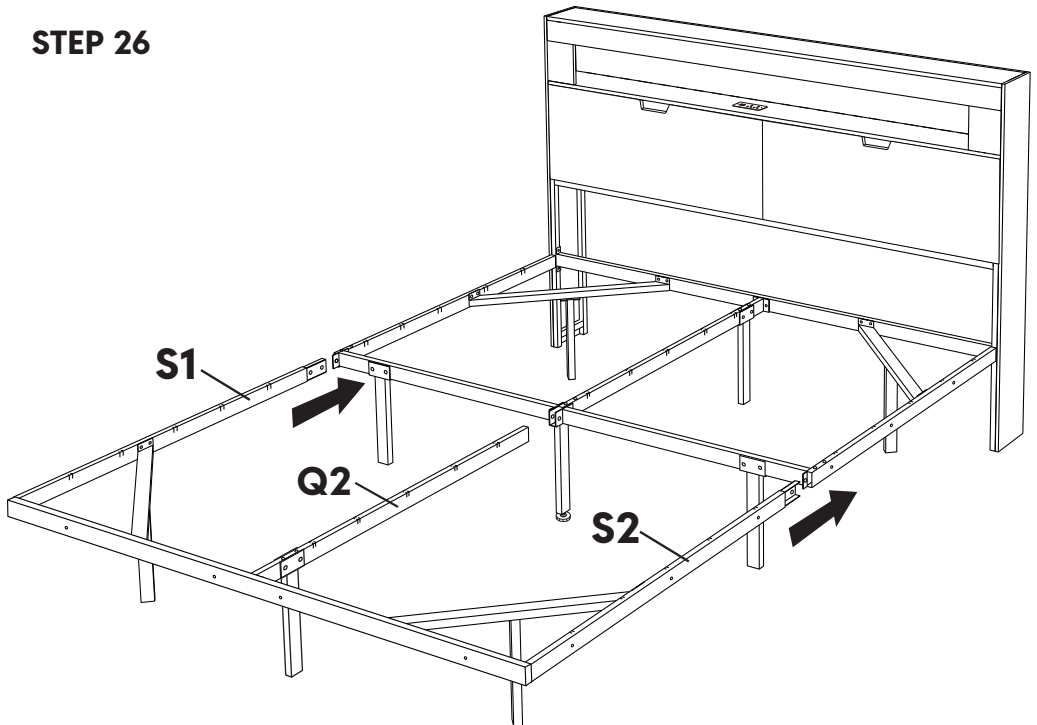


STEP 25


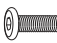
②  x10





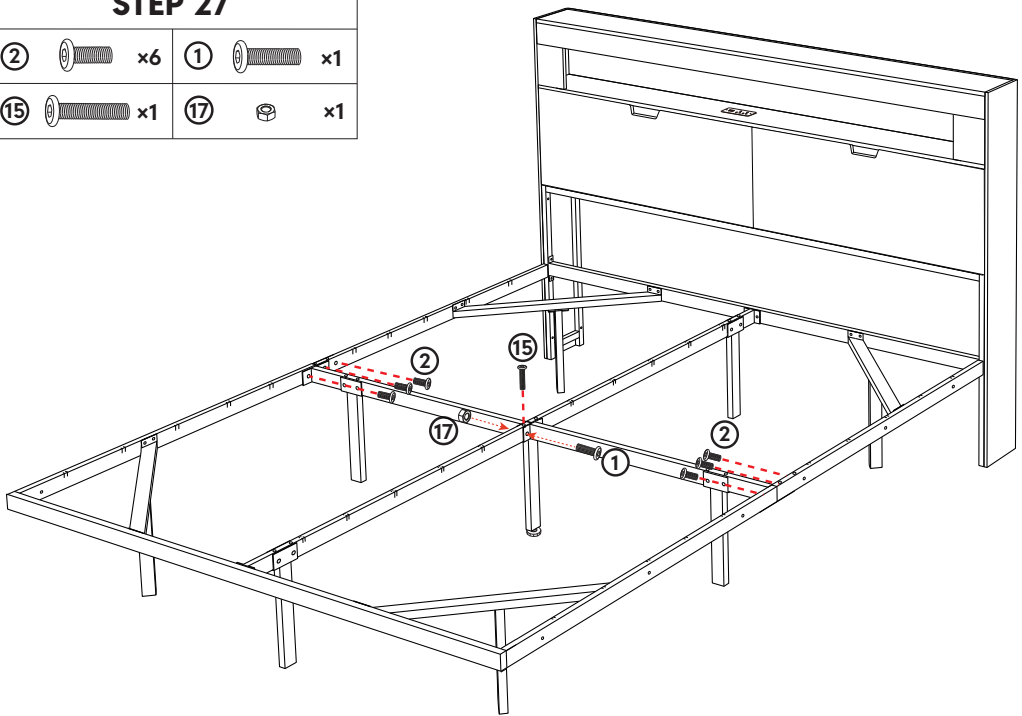
STEP 26



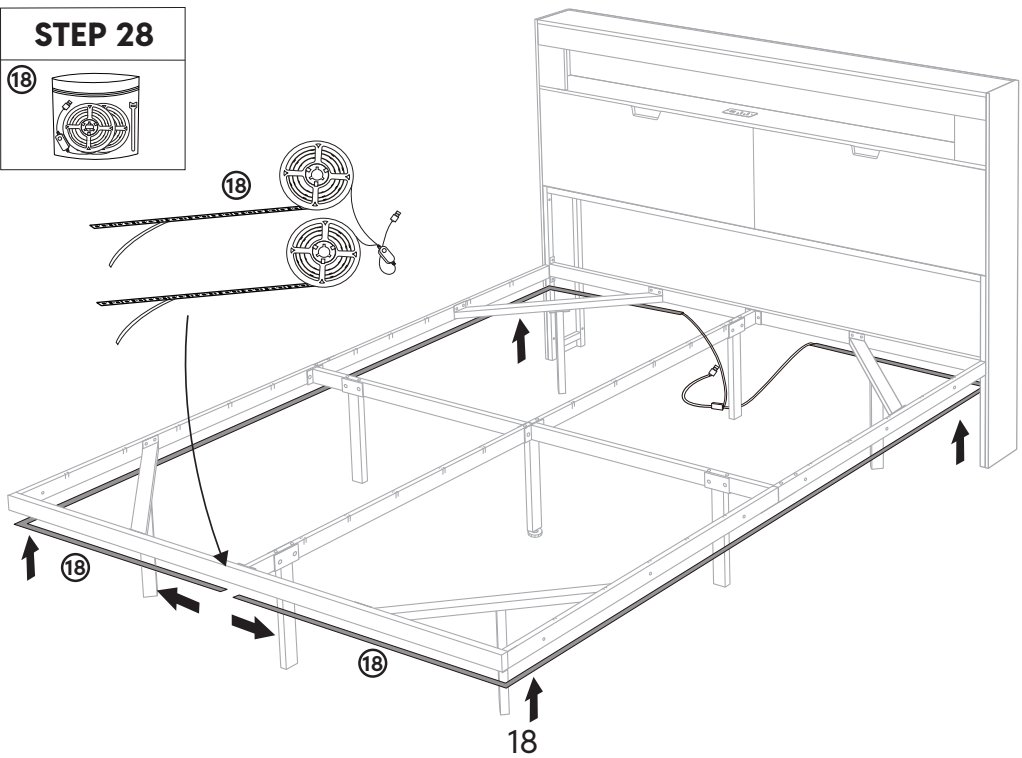
STEP 27

②  x6 ①  x1

⑮  x1 ⑰  x1

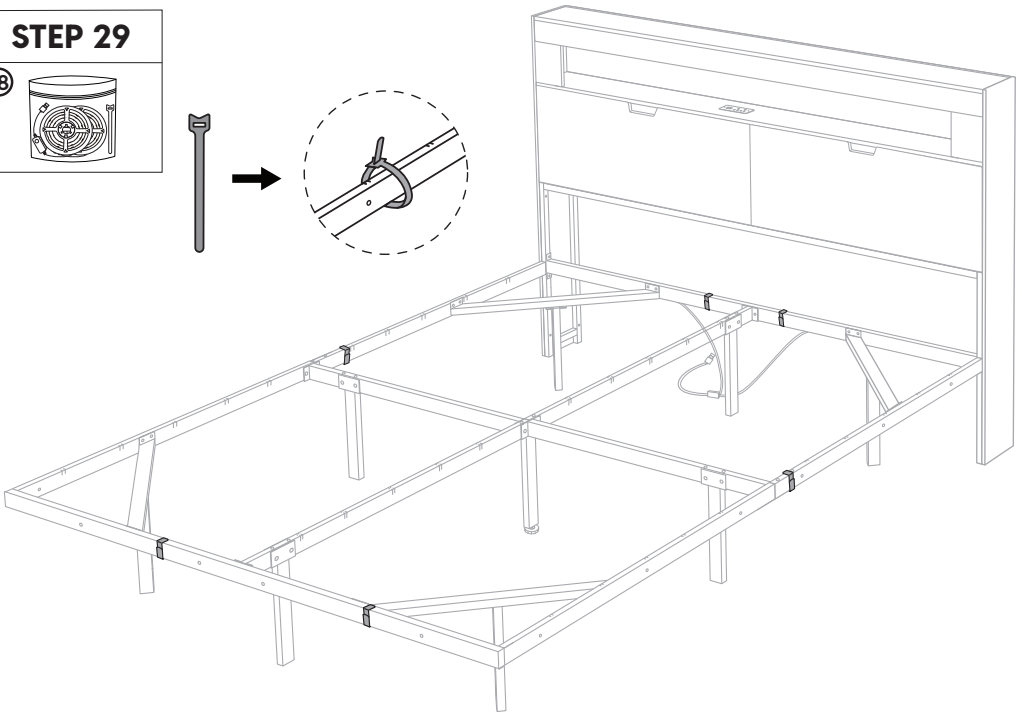
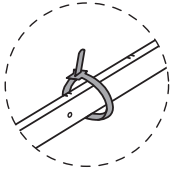


STEP 28



STEP 29

18

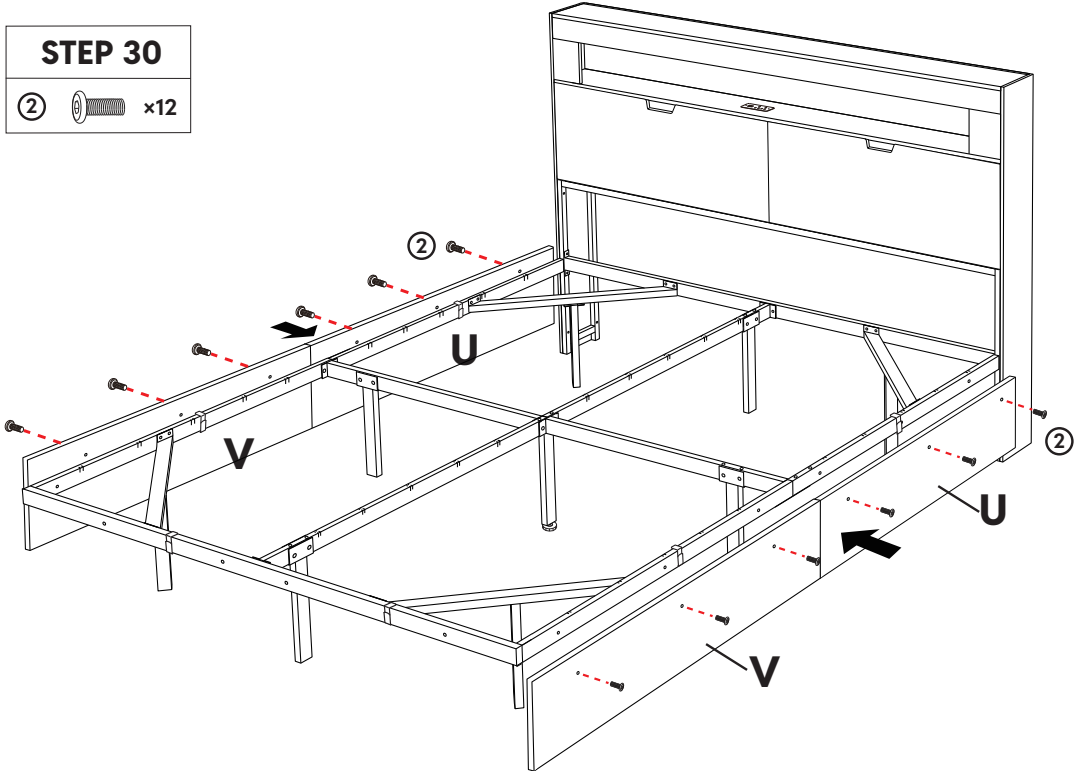


STEP 30

2

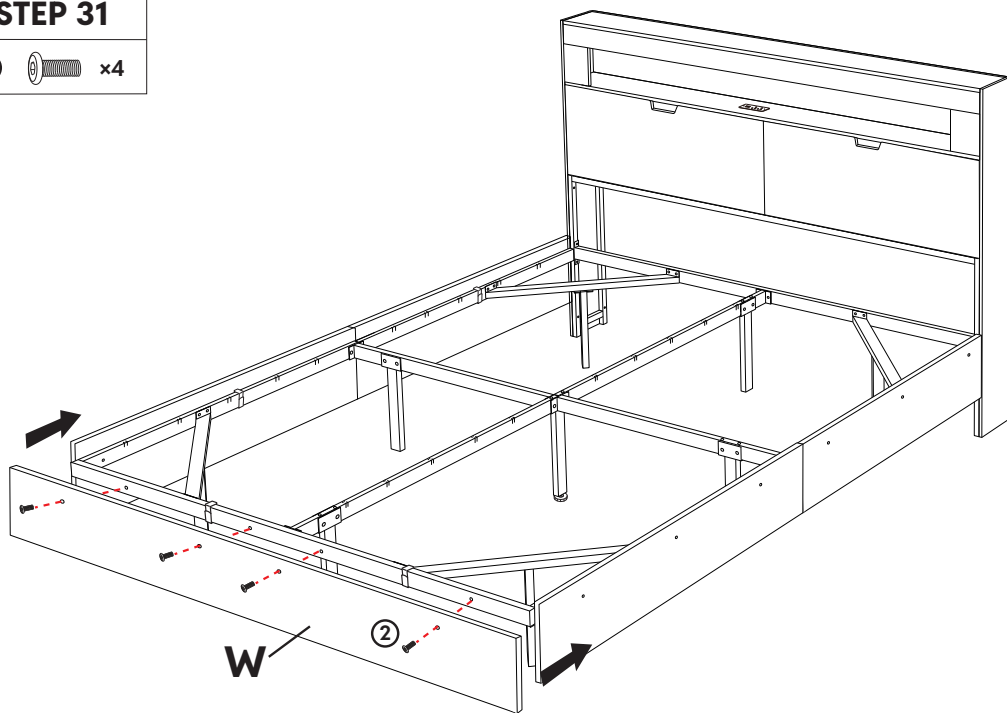


x12



STEP 31

②  x4



STEP 32

