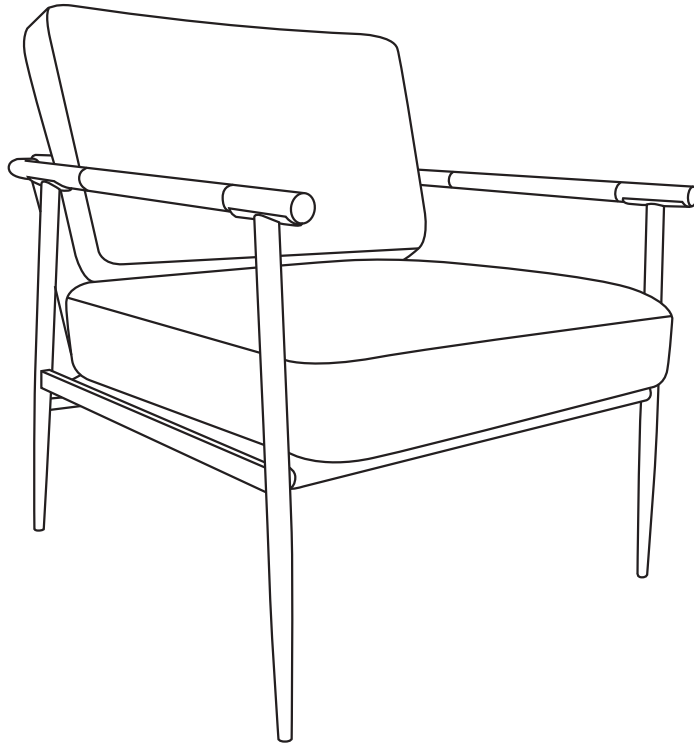
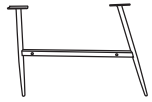




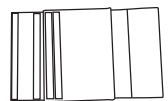
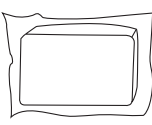
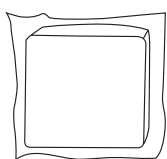


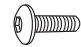




ASSEMBLY INSTRUCTION

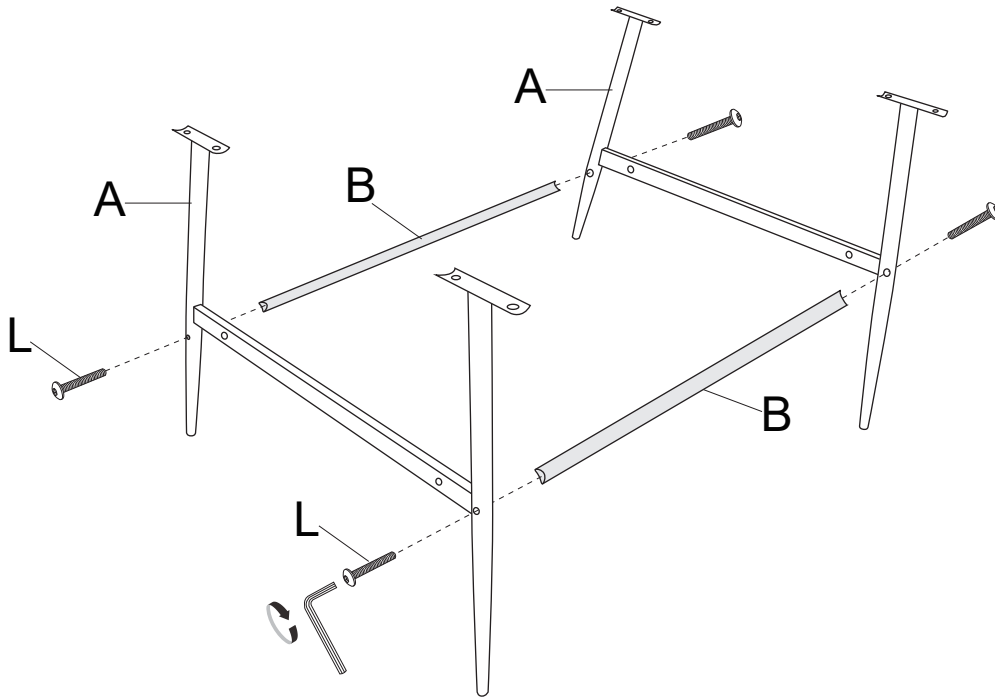
Before you assemble the product, please look through the instruction carefully.



A  2PCS	B  2PCS	C  2PCS	D  2PCS	E  1PC	F  1PC
G  1PC	H  1PC	K  1PC	L M6×45mm  8PCS	M M6×20mm  10PCS	

1

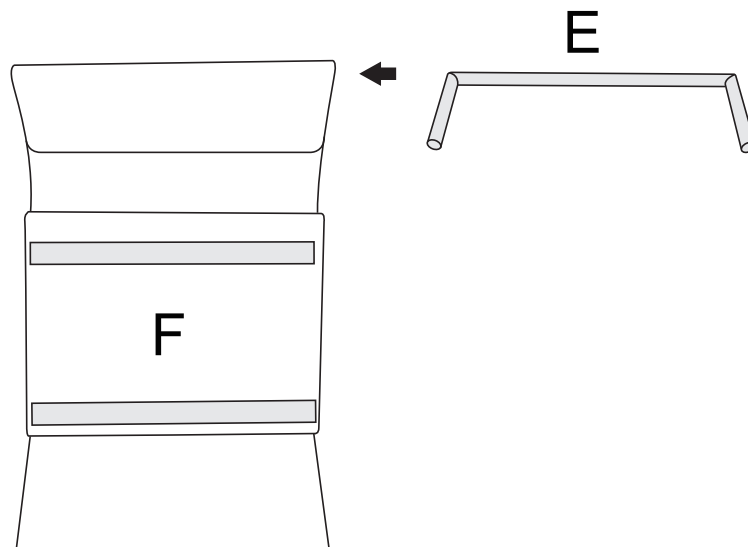
L	M6×45mm	K
		
4PCS		1PC



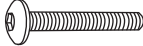
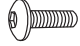

- Put the frames (A) together , assemble with tube (B).

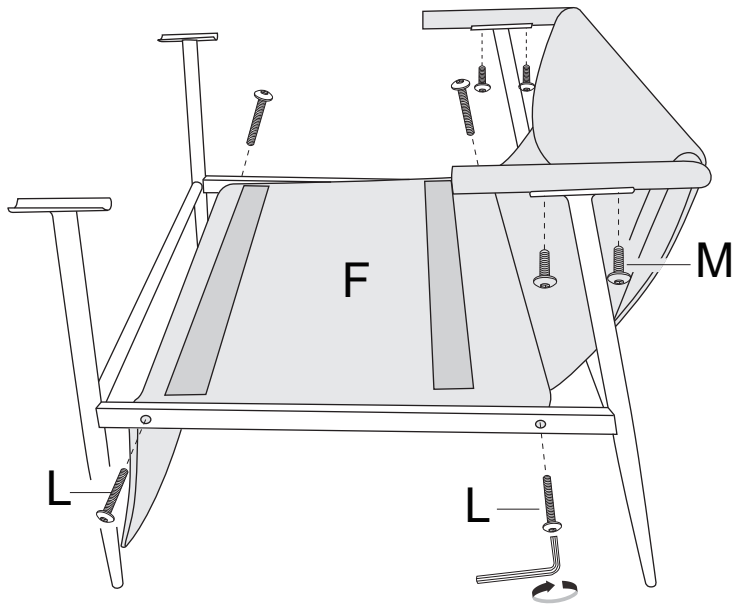
2

- Put the stretcher “E” through the backrest.





3

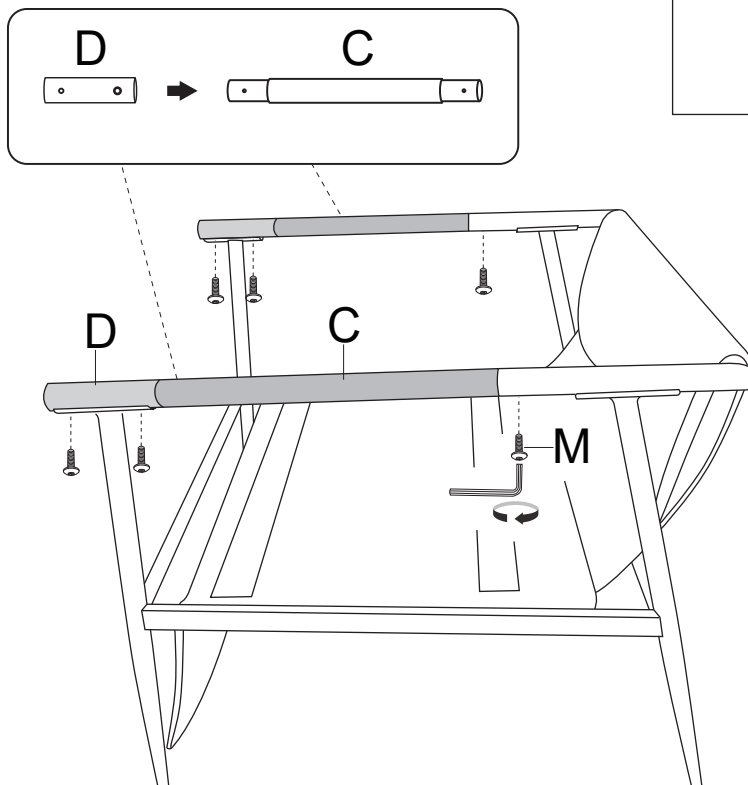
L	M6×45mm	M	M6×20mm	K
				
	4PCS		4PCS	1PC



- Assemble the backrest stretcher (E) with chair frame with screws (M).
- Secure backrest (F) on the chair frame. Align the metal tube inside the chair seat with the screw holes in chair sides, screwed with screws (L).

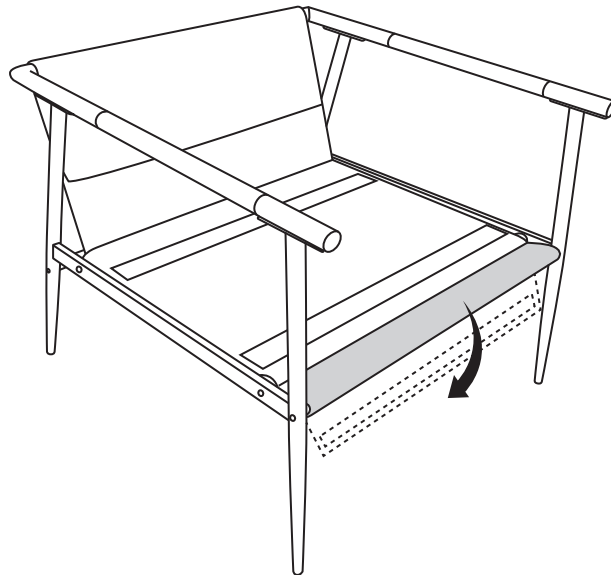
4

M	M6×20mm	K
		
	6PCS	1PC



- Assemble armrests (D) and (C) with screws (M).

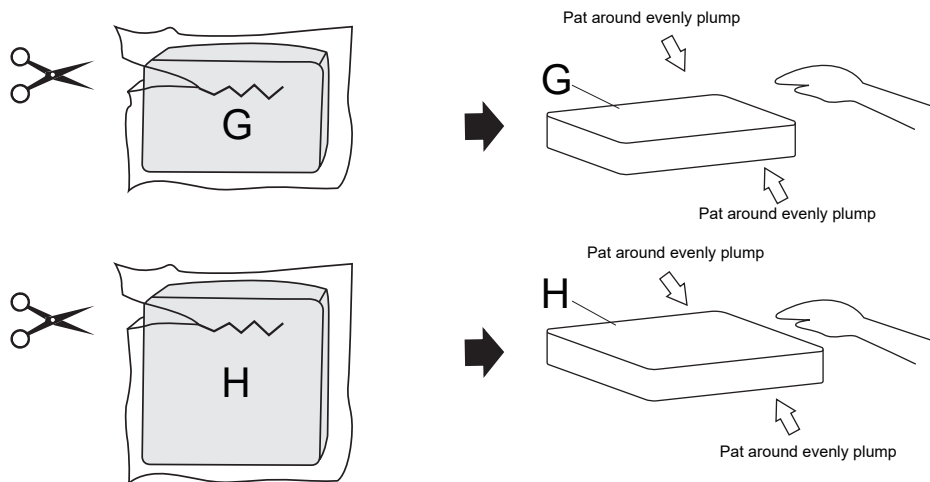
5



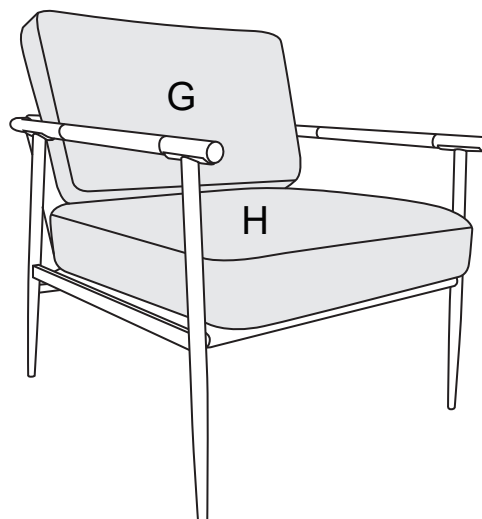
- Stick the seat end to the bottom of the chair seat.

6

- The cushion is packaged by vacuum compression. After cutting the package, please tap the cushions with your hand will speed up the rebound. If the fabric has wrinkles, it will basically disappear after standing for 72 hours.



7



- Place Seat cushion (H) and back cushion (G) on chair frame and make sure it's will fitted.