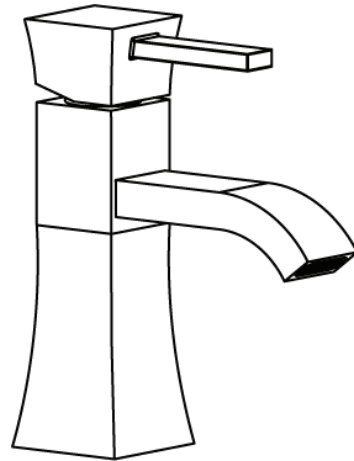


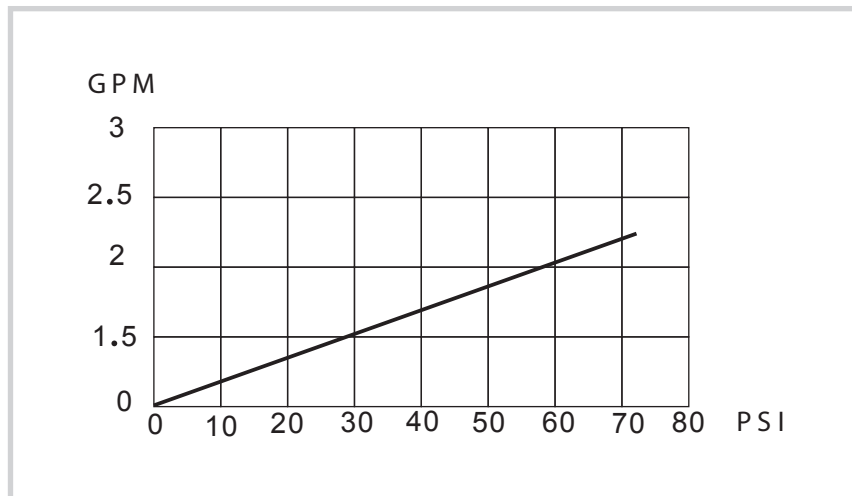
# ANCONA

## Alessia

- Bathroom Faucet
- **STANDARDS**  
ASME A112.18.1  
CSA B125.1  
NSF 61-9  
LISTED IAPMO/cUPC



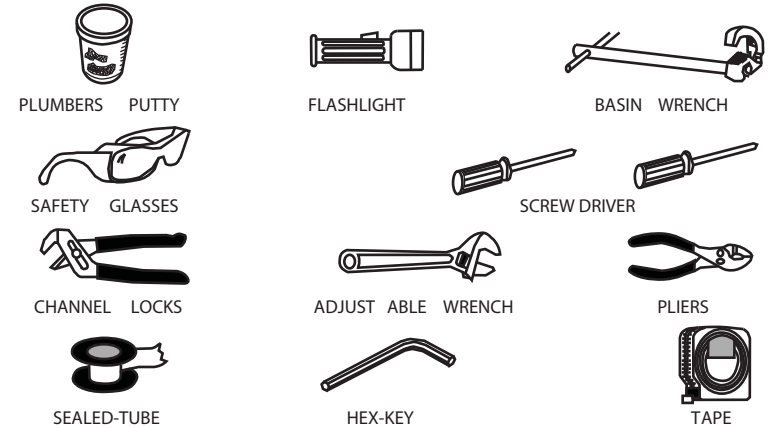
### Flow Rate Chart:



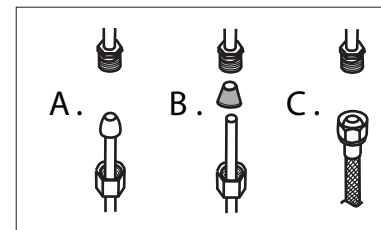
### Helpful Information:

#### Tools:

Gather the necessary tools as shown below to complete the installation of this faucet. Some may not be needed depending on the model of faucet you are installing. Check with your local hardware store on the requirements of your installation situation.

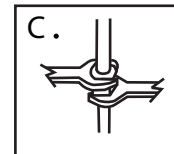


### Configuration:

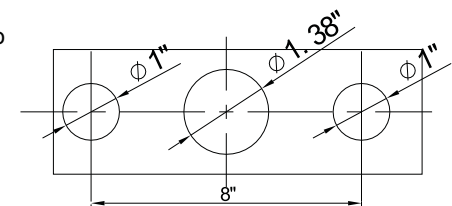


Connect to water supply lines with either:  
 (A) 3/8" O.D. copper tubing (ball nose risers with the coupling nuts or;  
 (B) 3/8" copper tubing (no ball) with supplied tube head interior connector or;  
 (C) IPS faucet connectors (1/2").

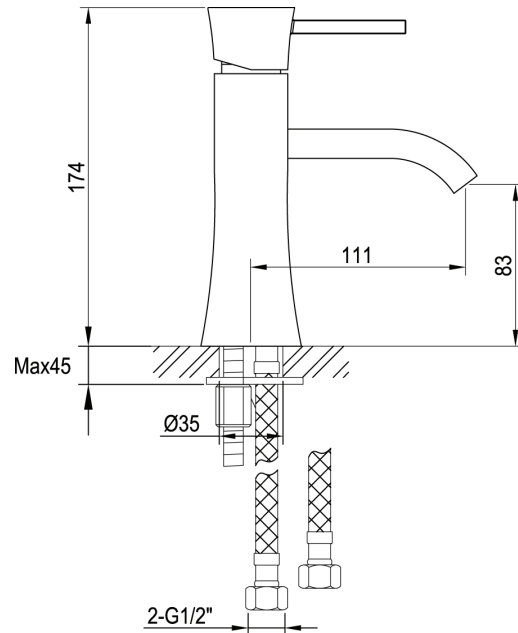
### Important:



Tighten connection with two wrenches to prevent damage to tube body. Be careful not to bend the stem as this will void the product warranty.



## Installation size map:



## Single Hole Installation:

**Step 1: Preparation:** Turn off water supplies and drain water lines. Clean installation site and remove any debris from the area.

**Step 2: Connect Supply Hoses:** A. Screw supply hoses (2) and (3) into base of faucet body (1).  
B. Screw in steel posts (4) and (5) into base of faucet body (1).

**Step 3: Secure Spout Body (1) in place:**

C. Insert the black rubber ring (6) into groove on bottom of faucet body (1).

D. Insert body through sink deck hole.

**Step 4: Insert Rubber and Metal washers:**

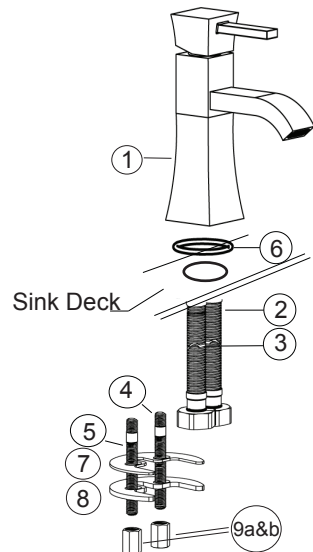
E. Slide black rubber washer (7) and metal washer (8) over steel posts (4 & 5), so that they fit around supply hoses (2 & 3).

F. Insert nuts (9a & b) onto steel posts (4 & 5).

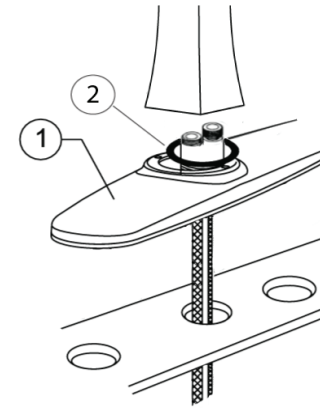
**Step 5: Securing all connections:**

G. Connect supply hoses to main water supply.

H. Ensure all connections are tight to avoid potential leakage.



## Three Hole Installation:



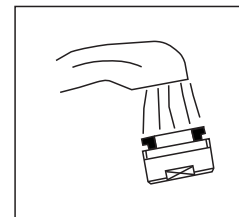
**Step 1:** Insert plate (1) and rubber washer (2) before inserting spout body into sink deck.

**Step 2:** Repeat steps 1 to 4 from Single Hole Installation.

**Step 3:** Secure plate (1).

**Step 4:** Securing all connectors: Ensure all connections are tightly set in place to avoid leakage.

## Test Faucet Installation:



A. Move handle into "OFF" position.

B. Turn on water supplies. Check connections for leaks.

C. Remove aerator and let both hot and cold water run for one minute. This will help clean any debris that might otherwise clog the system. Replace aerator.

D. Operate handle up and down, in cold and hot positions, to flush water lines thoroughly.

## Maintenance:

Simply rinse the surface with clear water or mild liquid detergents (if necessary). Dry the faucet with a clean soft cotton cloth. Do not use any cleaning agents containing acids, polish abrasives, or harsh cleaners.