

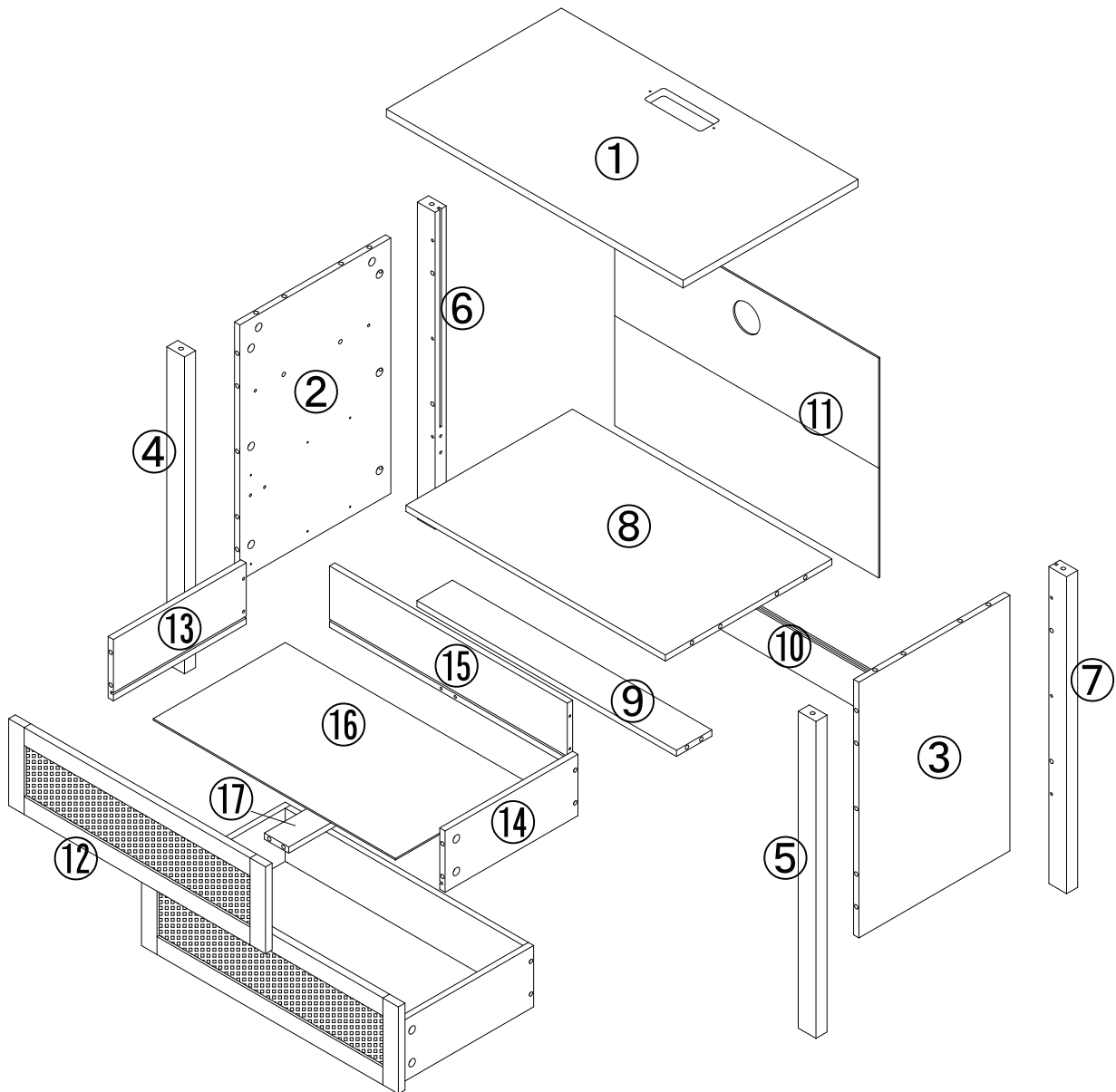
# BESIDE TABLE

---

# USER MANUAL

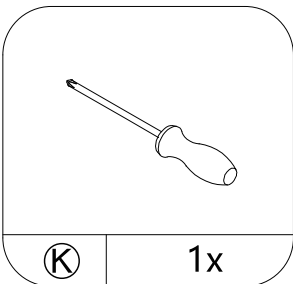
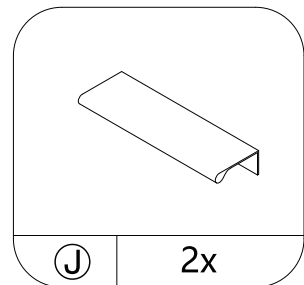
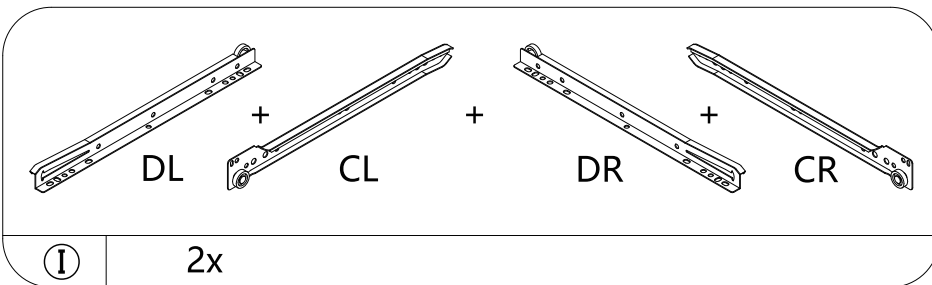
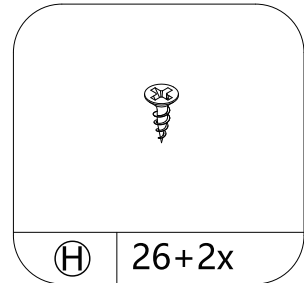
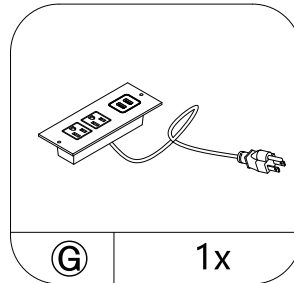
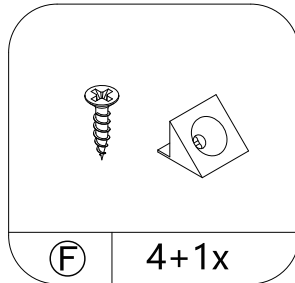
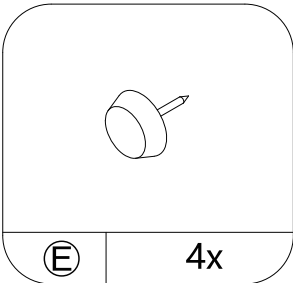
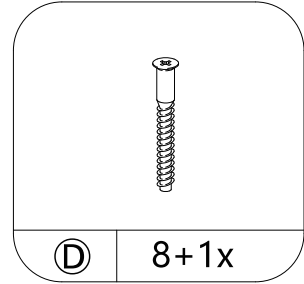
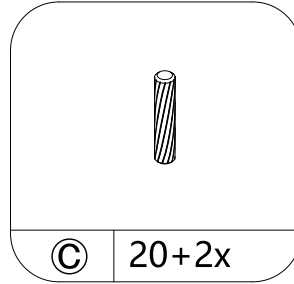
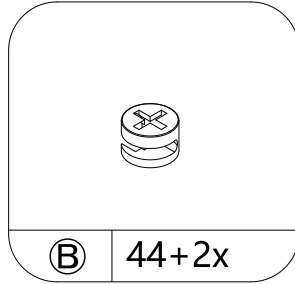
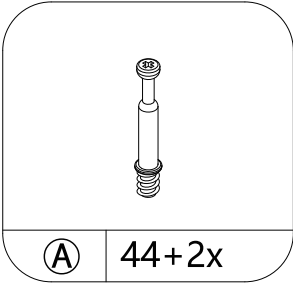
1

# ASSEMBLY INSTRUCTIONS

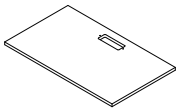

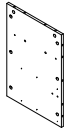




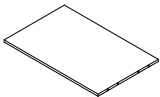
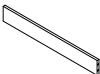

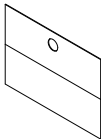
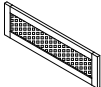



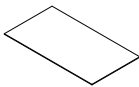



2

# PACKAGING LIST

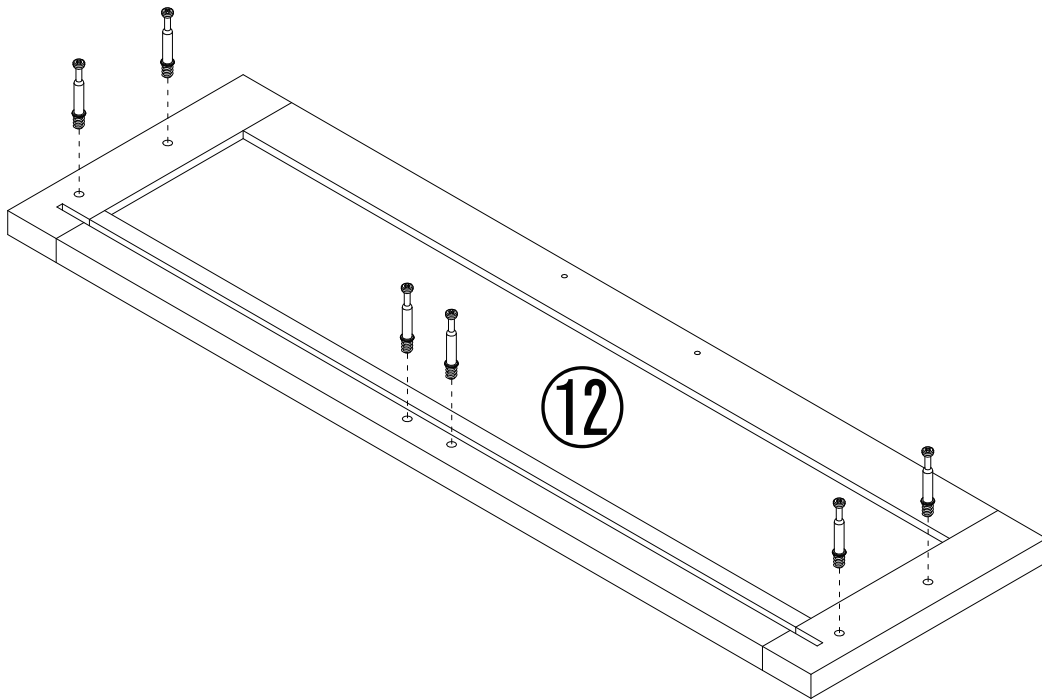
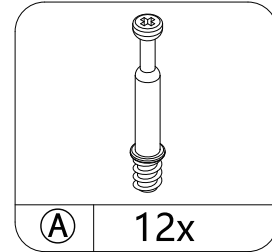


## PACKAGING LIST

			
①x1	②x1	③x1	④x1
			
⑤x1	⑥x1	⑦x1	⑧x1
			
⑨x1	⑩x1	⑪x1	⑫x2
			
⑬x2	⑭x2	⑮x2	⑯x2
			
⑰x2			

4

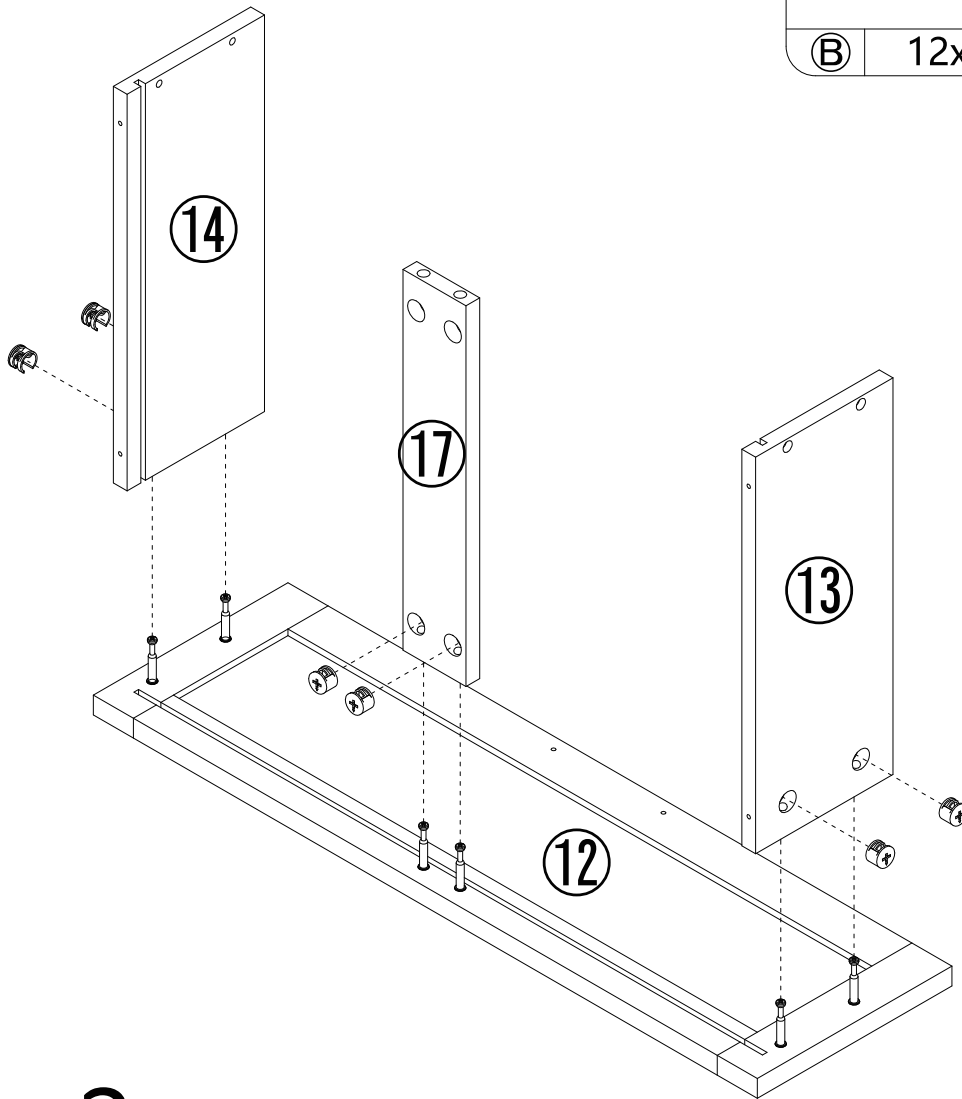
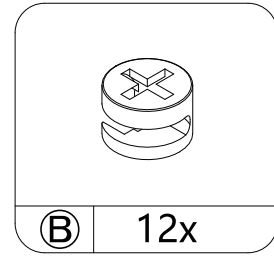
# STEP 1



x2

5

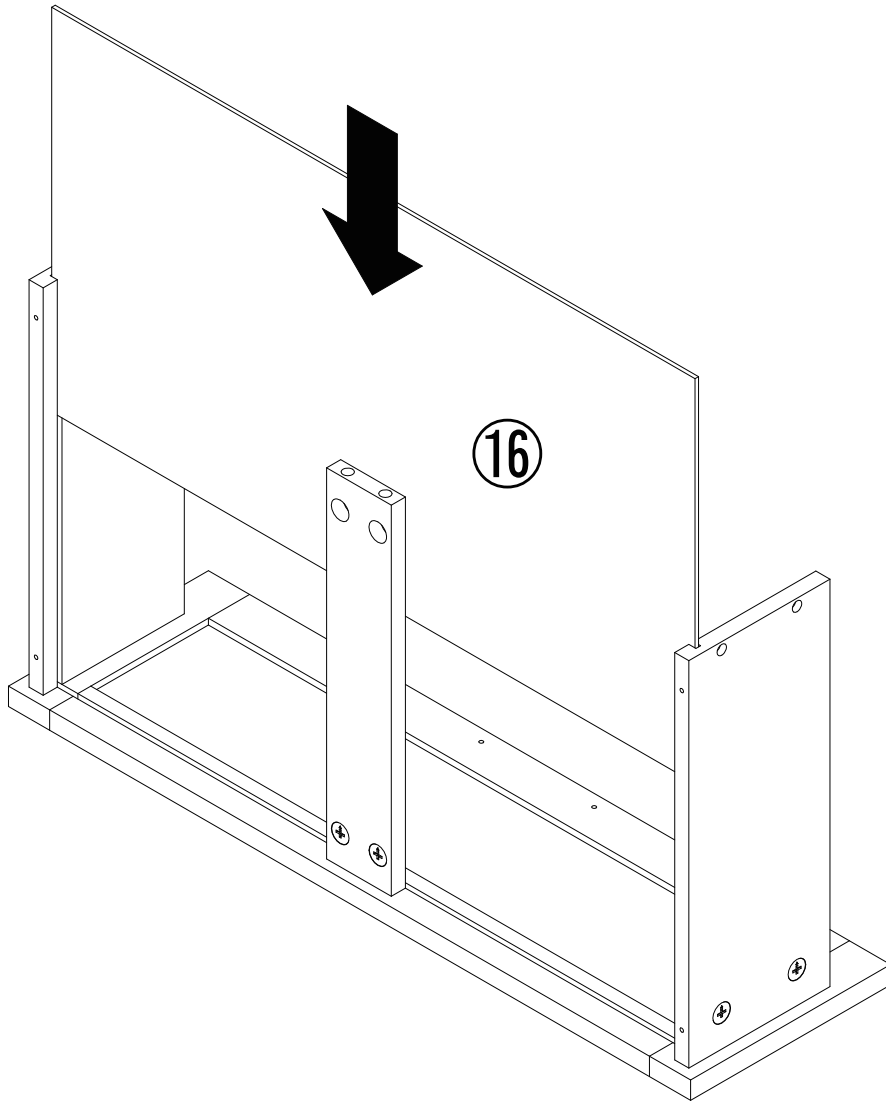
STEP 2



x2

6

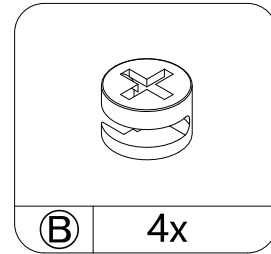
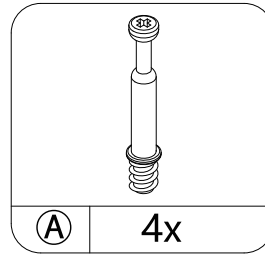
STEP 3



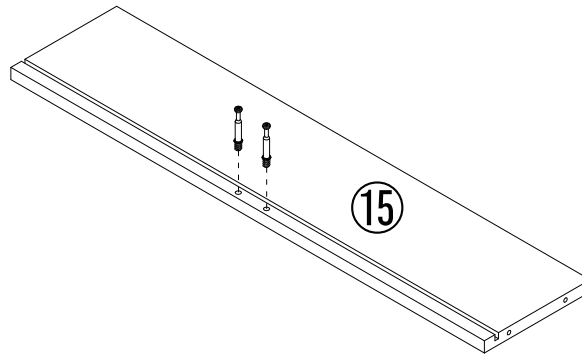
x2

7

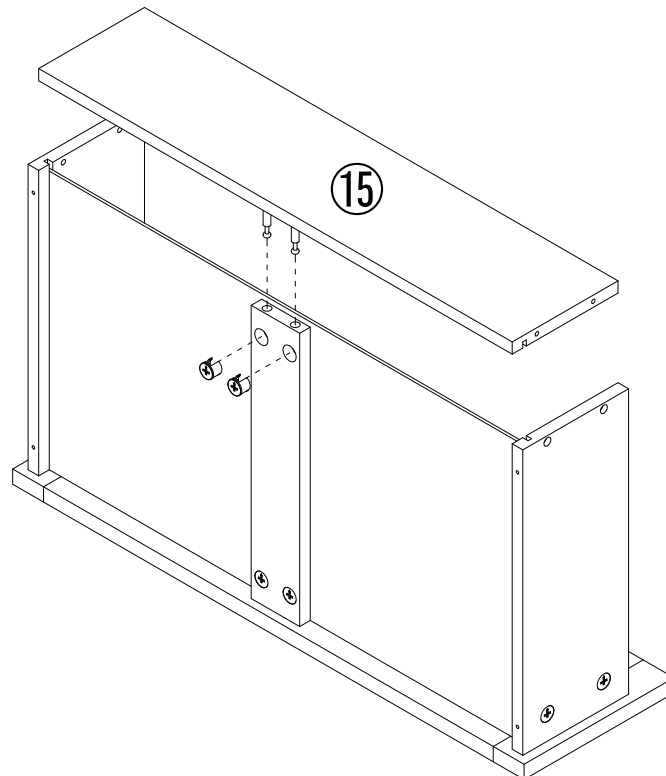
# STEP 4



step 1



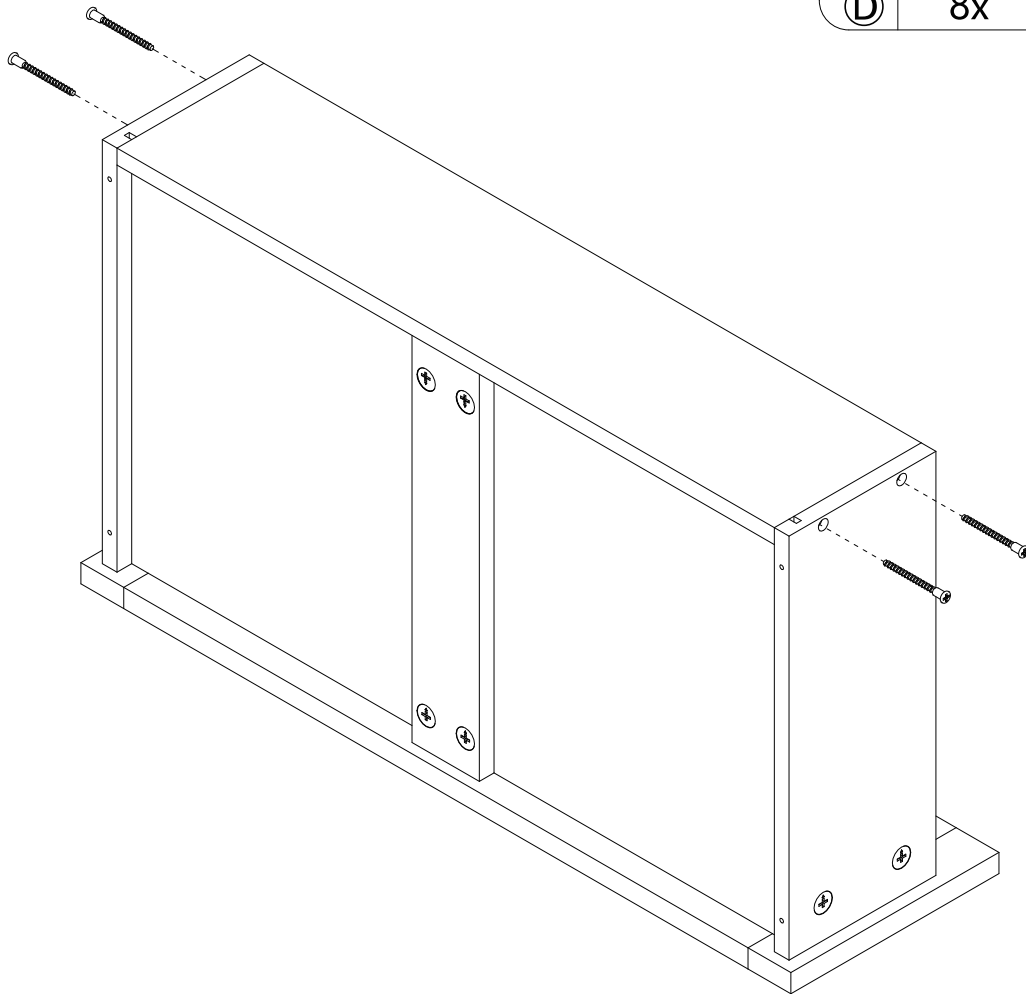
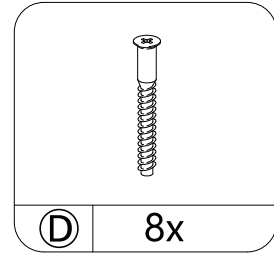
step 2



x2

8

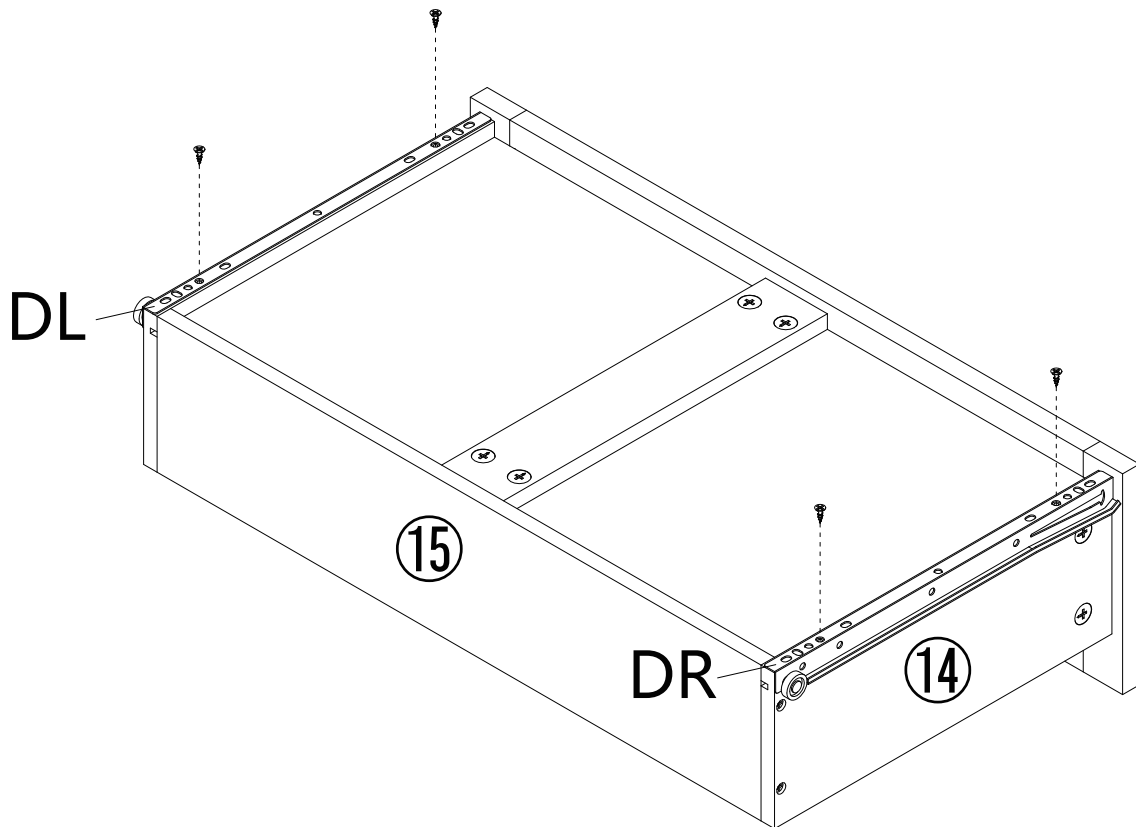
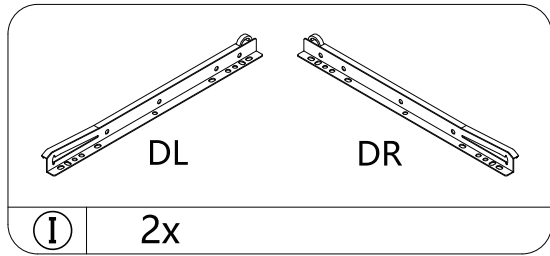
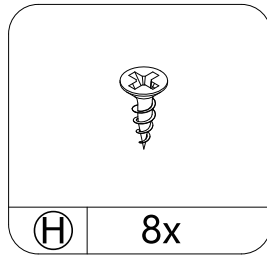
# STEP 5



x2

9

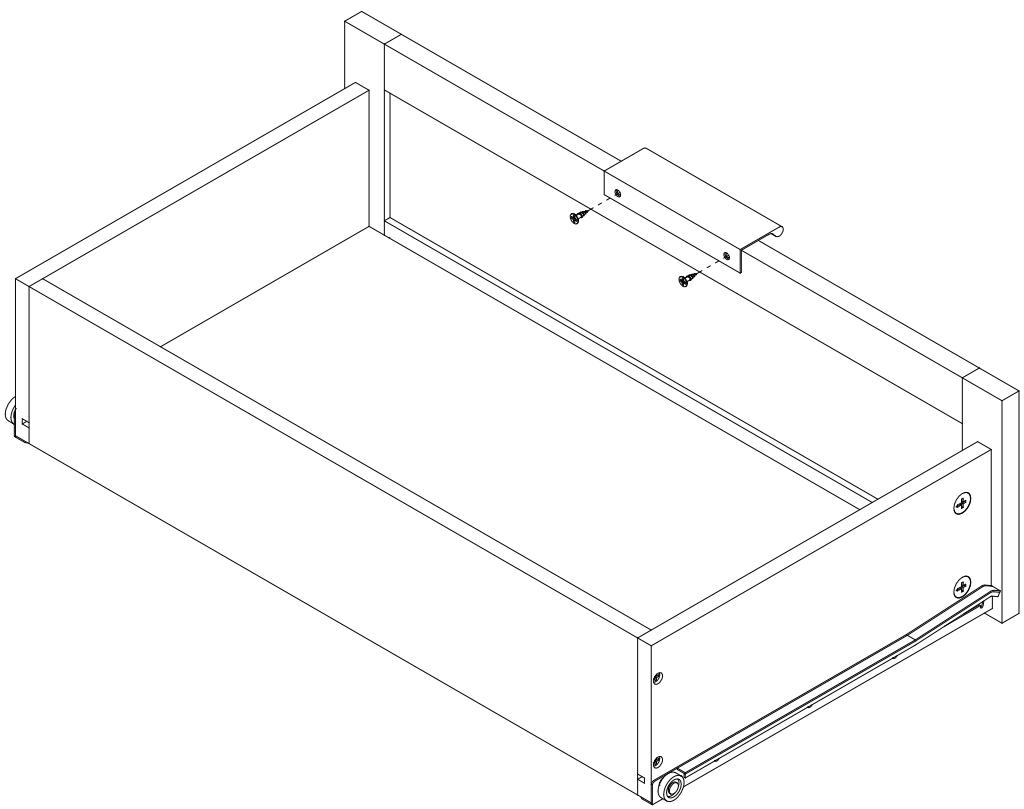
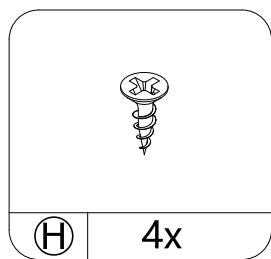
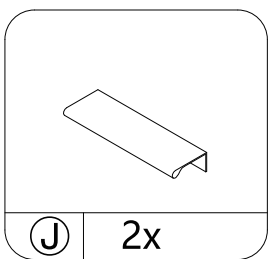
# STEP 6



x2

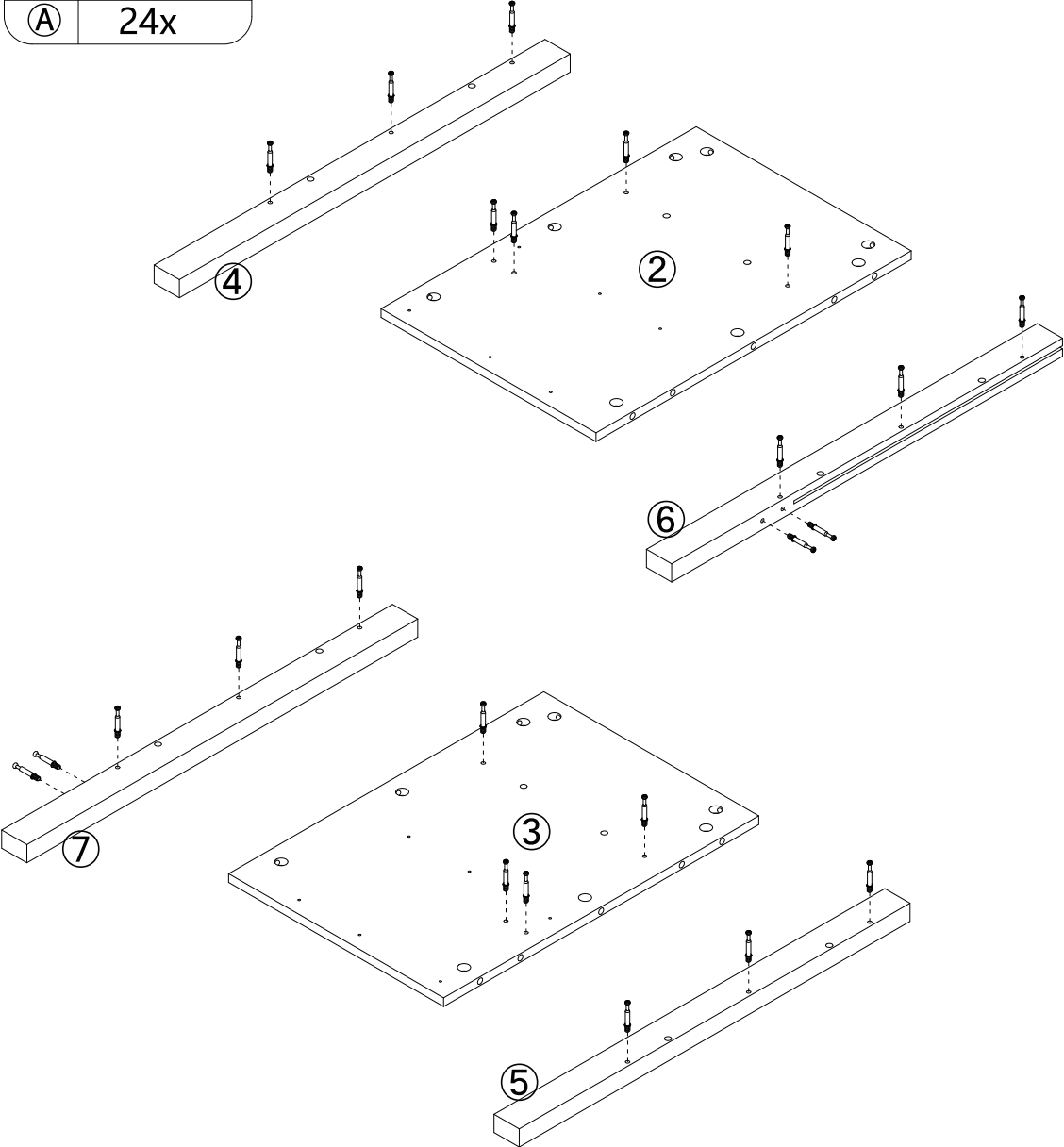
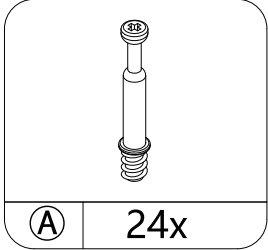
10

STEP 7

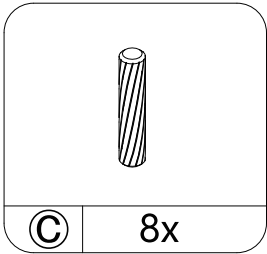
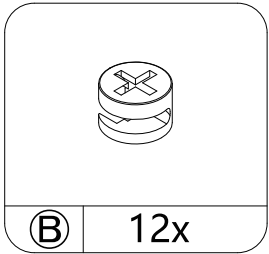


x2

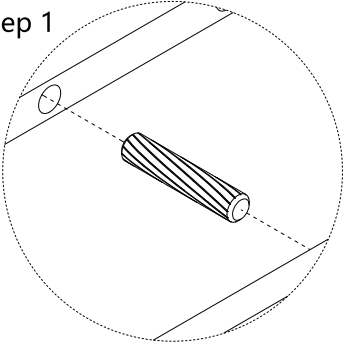
STEP 8



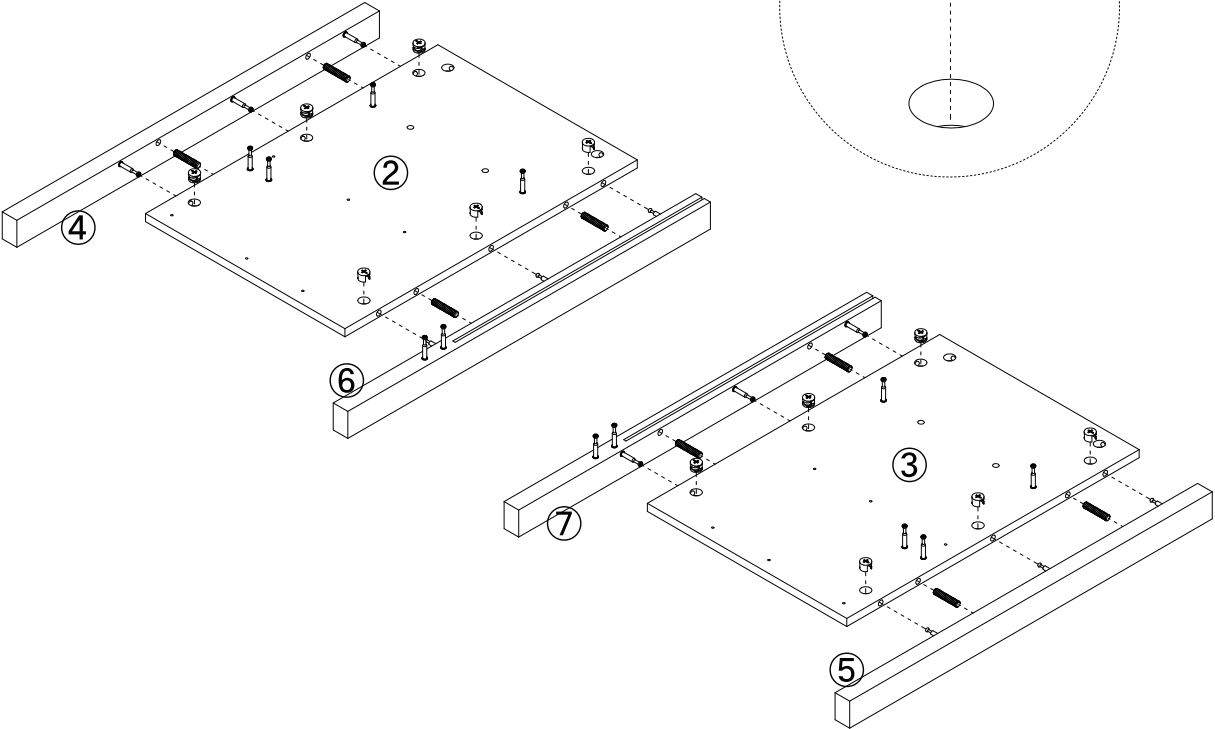
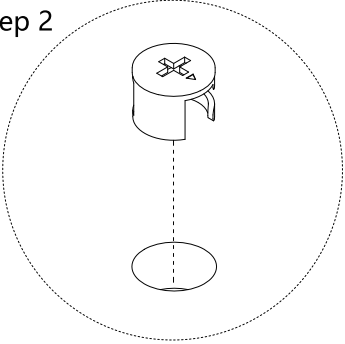
STEP 9



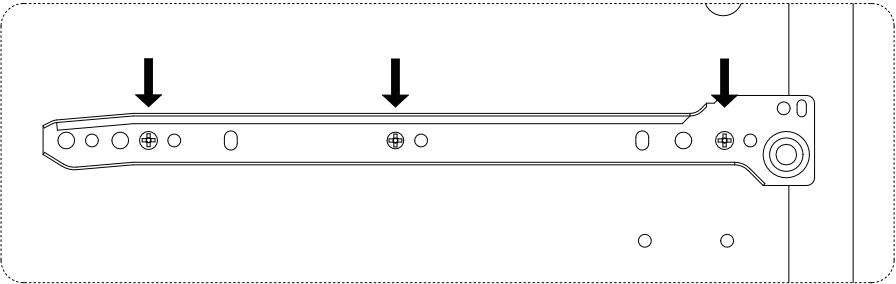
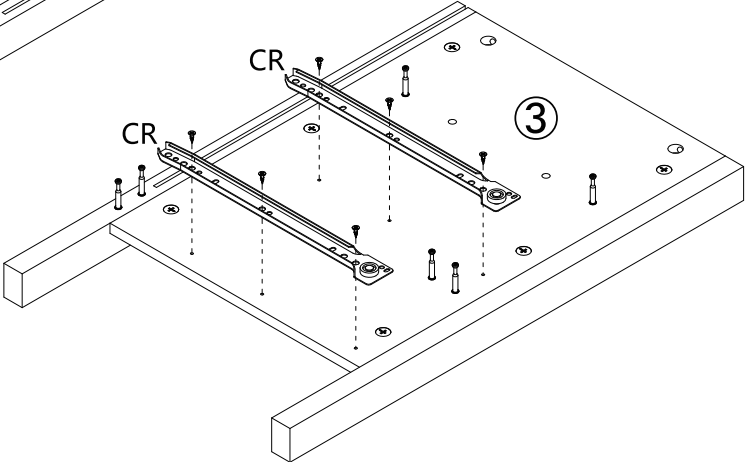
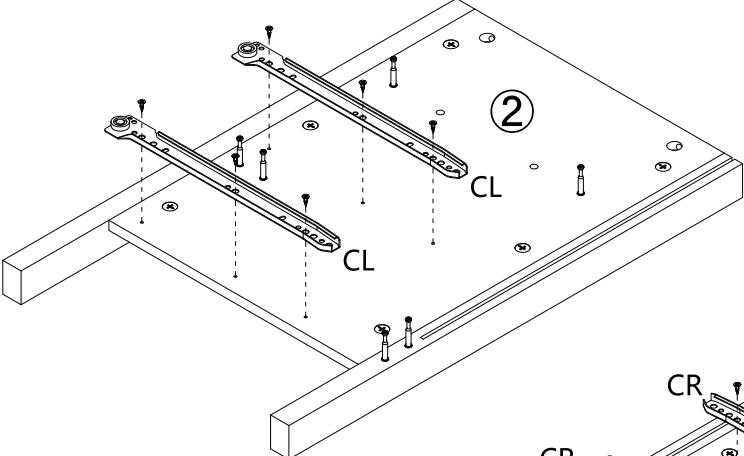
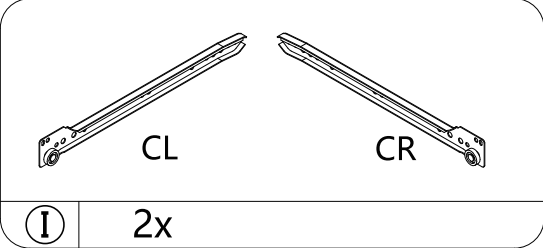
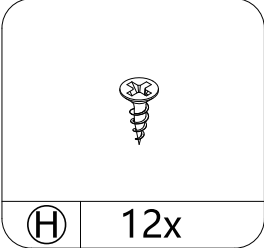
Step 1



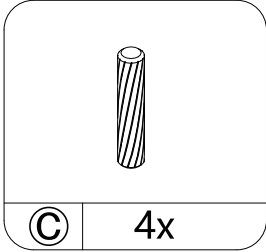
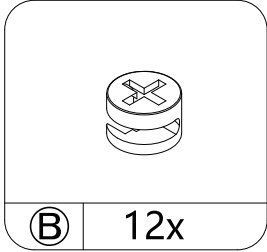
Step 2



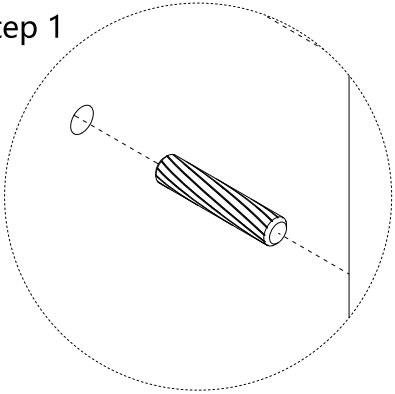
# STEP 10



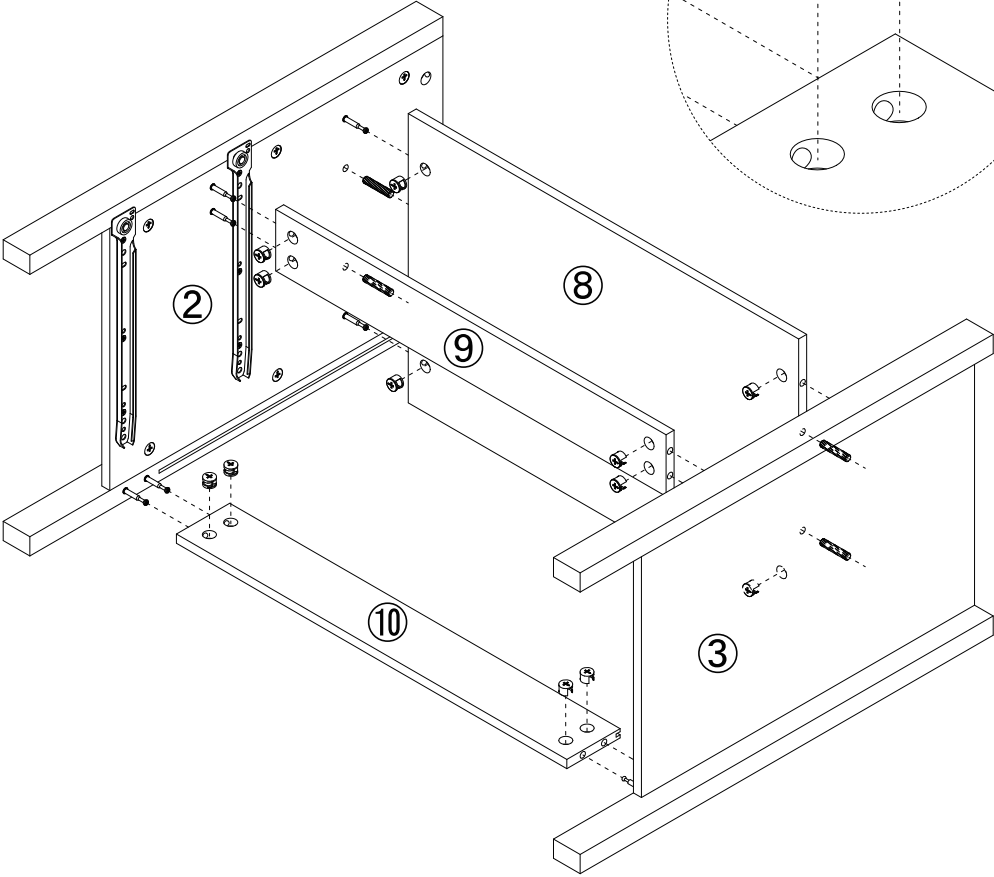
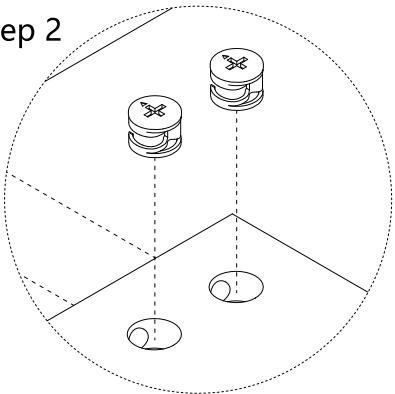
# STEP 11



Step 1

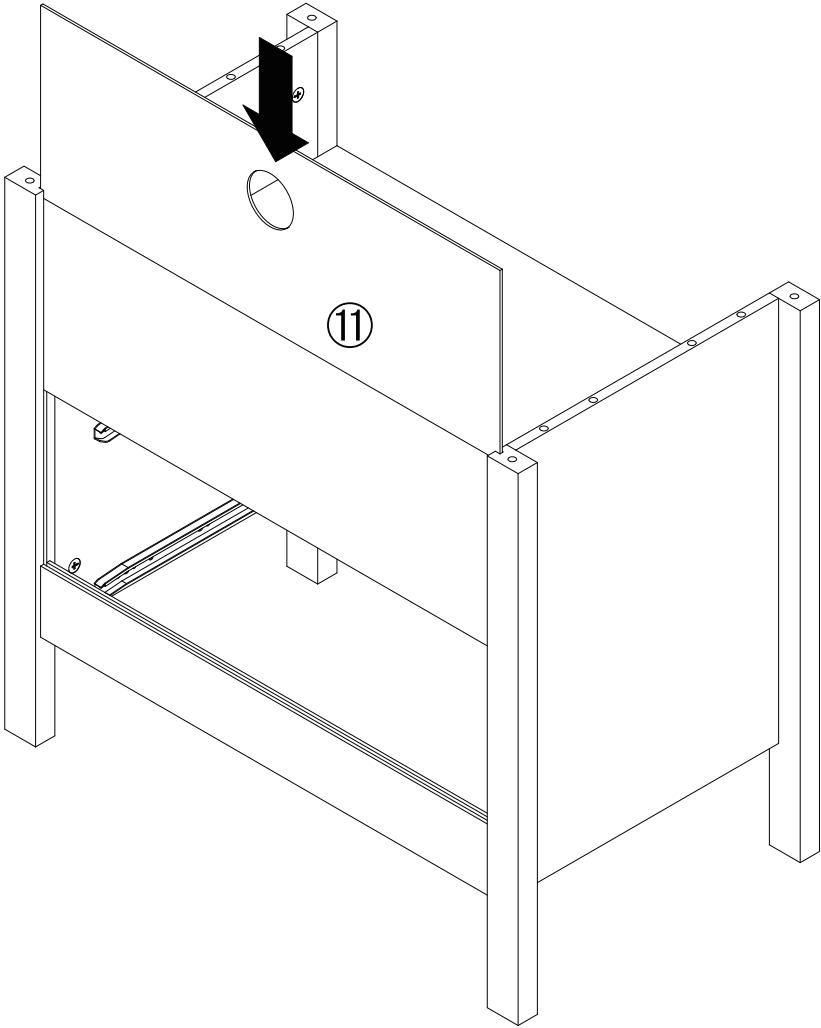


Step 2

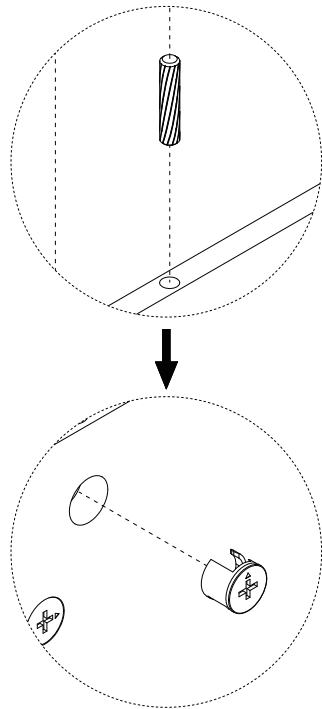
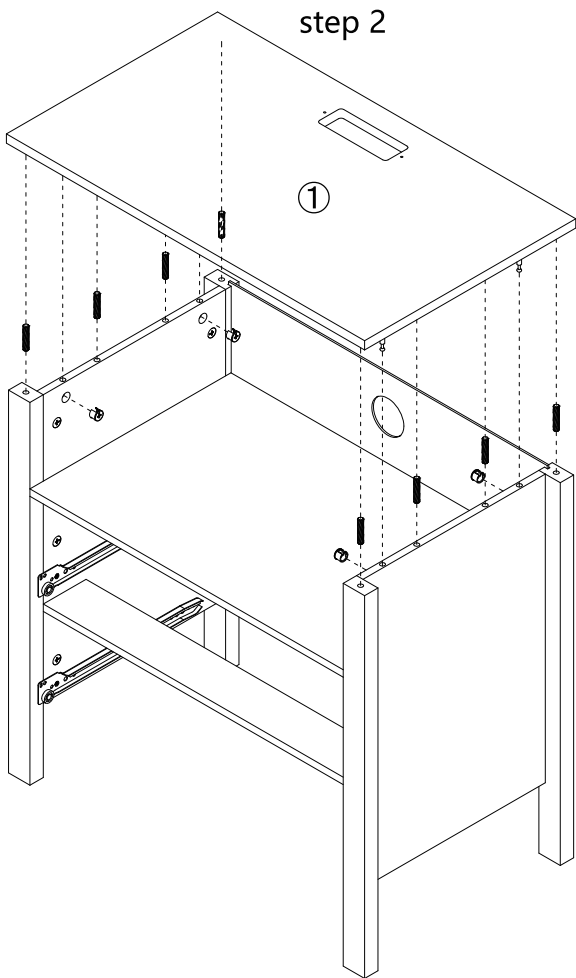
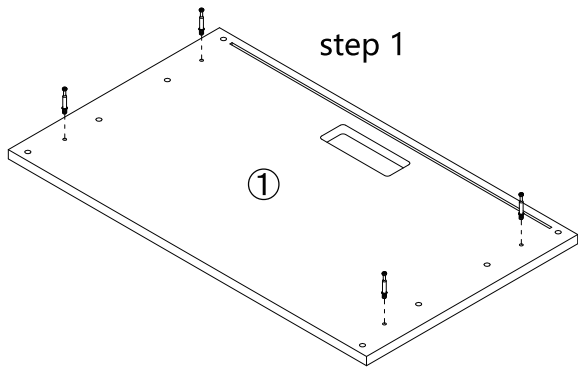
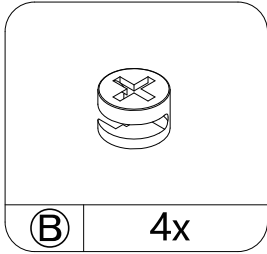
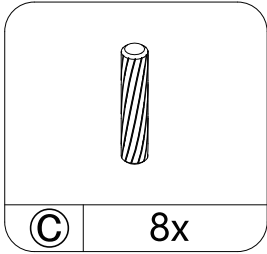
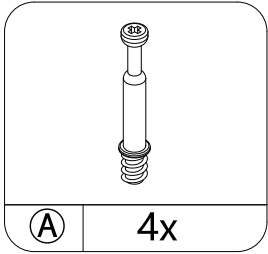


15

STEP 12

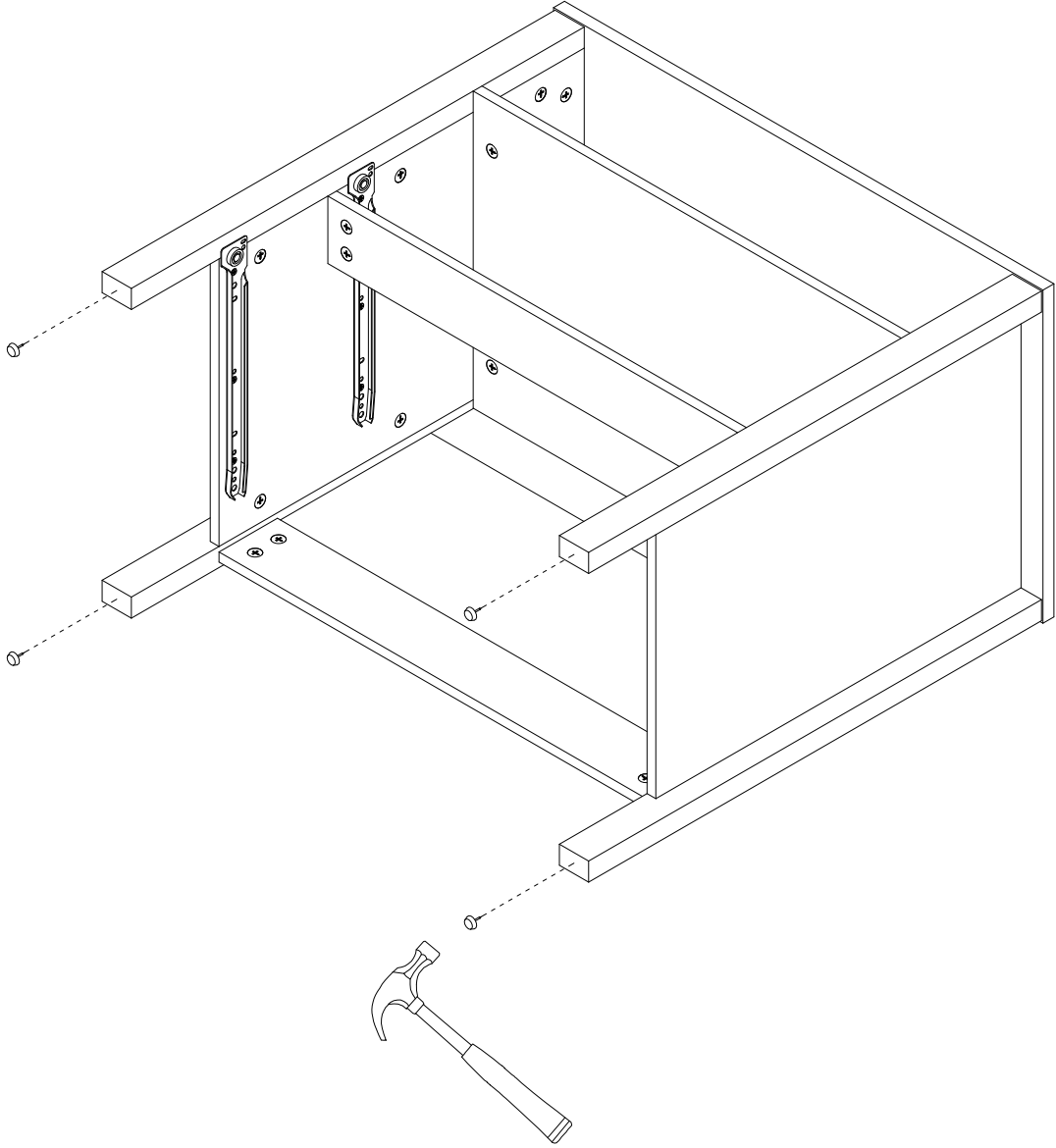
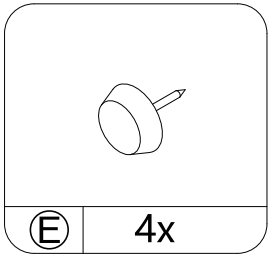


# STEP 13

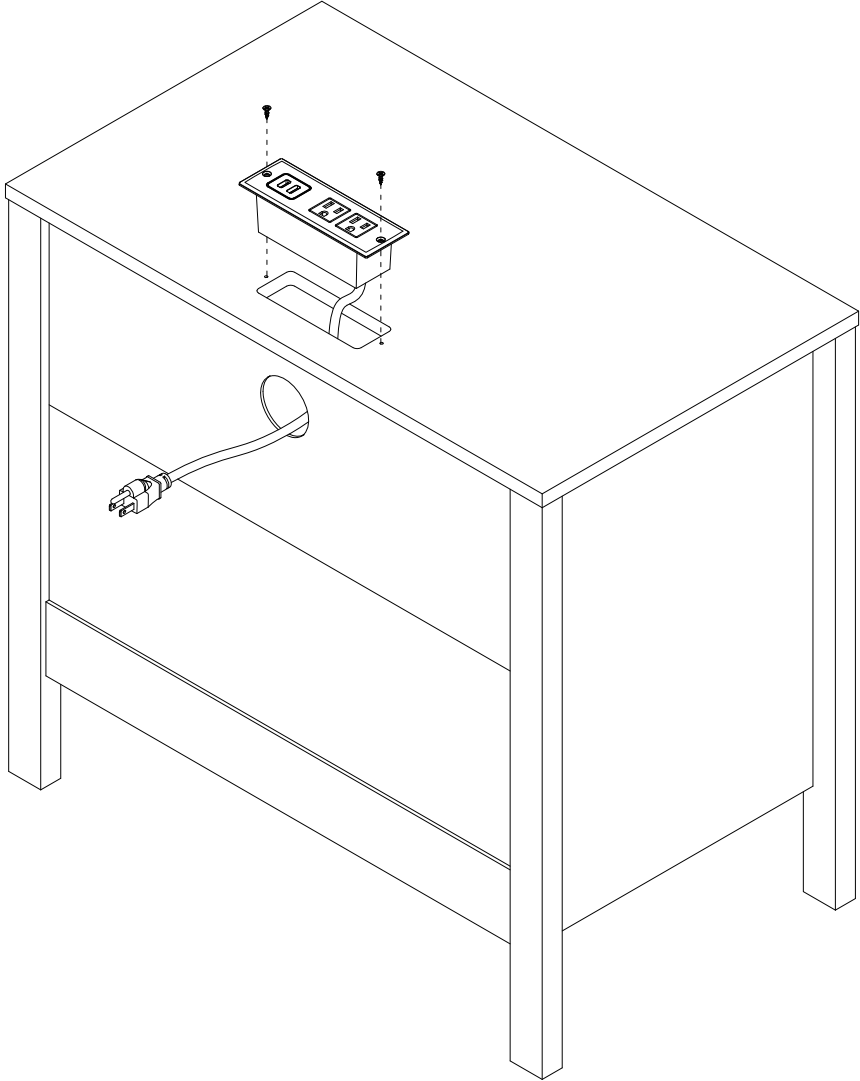
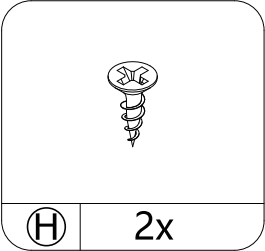
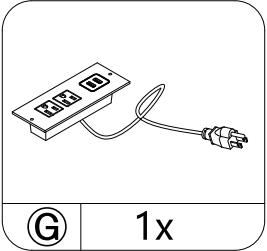


17

# STEP 14

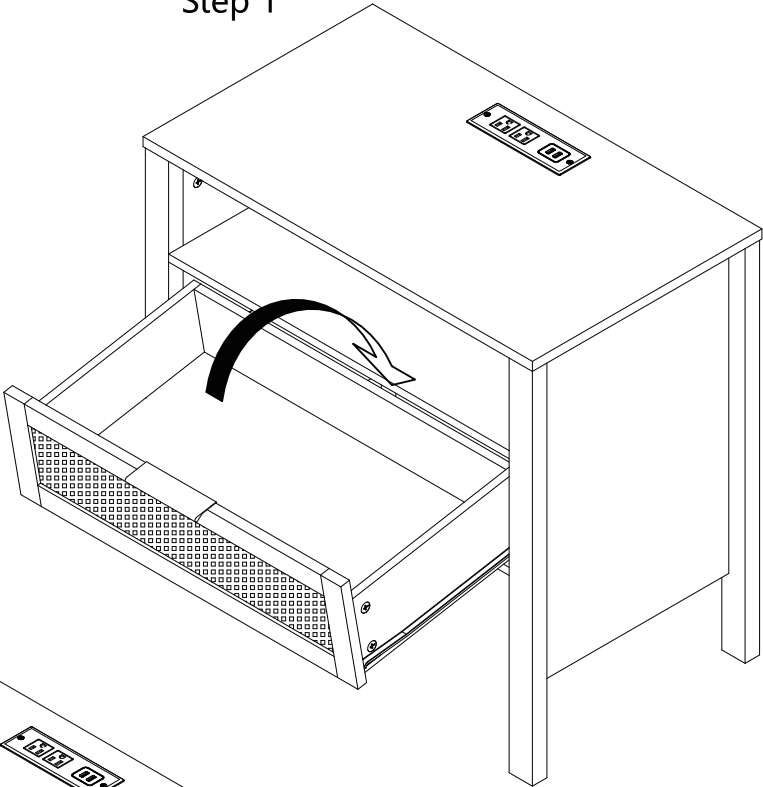


STEP 15

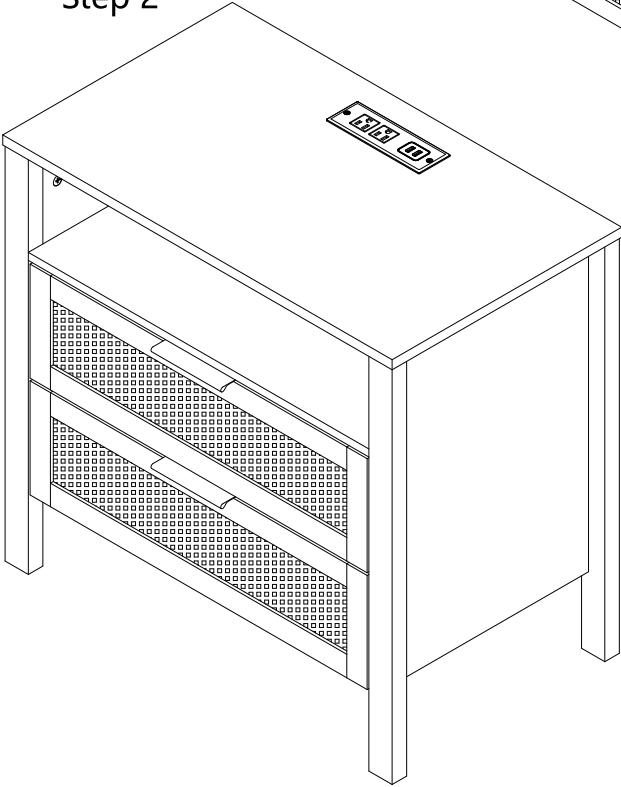


STEP 16

Step 1



Step 2



20

## STEP 17

