

Instruction manual
CLARA TABLE MARBLE EFFECT



CONTENTS

Safety and care advice	1
Components	2
Assembly instructions	5
Copyright	7

⚠ SAFETY AND CARE ADVICE ⚠

PLEASE READ THESE INSTRUCTIONS CAREFULLY AND KEEP FOR FUTURE REFERENCE

- **Warning:** Please lift with care.
- Check you have all the components and tools listed on pages 2 and 3.
- Remove all fittings from the plastic bags and separate them into their groups.
- Keep children and animals away from the work area, small parts could choke if swallowed.
- Make sure you have enough space to lay out the parts before starting.
- Do not stand or put weight on the product, this could cause damage.
- Assemble the item as close to its final position (in the same room) as possible.
- Assemble on a soft level surface to avoid damaging the unit or your floor (use opened out unit carton).



- We do not recommend the use of power drill/drivers **for inserting screws**, as this could damage the unit. Only use hand screwdrivers.
- Dispose of all packaging carefully and responsibly.

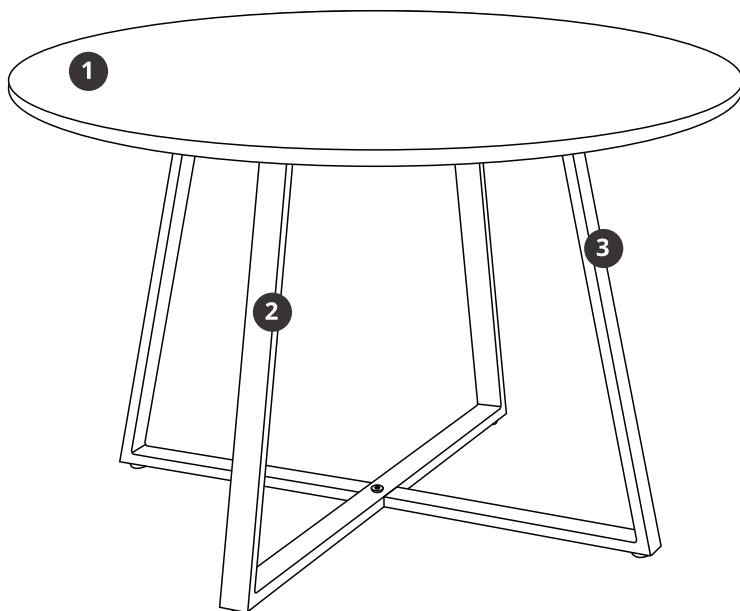
CARE AND MAINTENANCE

- Only clean using a damp cloth and mild detergent, do not use bleach or abrasive cleaners.
- From time to time check that there are no loose screws on this unit.
- This product should not be discarded with household waste. Take to your local authority waste disposal center.

Note *If required the next page can be cut out and used as reference throughout the assembly. Keep this page with these instructions for future reference.*

COMPONENTS

Ensure the following components are in the box before proceeding with assembly:



PART LIST

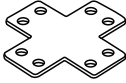
1	Top Panel	x1	2	Leg 1	x1
3	Leg 2	x1			



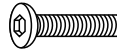
COMPONENTS — FITTINGS

Please check you have all the fittings listed below:

A x1



G x4



M6x30mm

B x8



M8xΦ 16x1.5mm

H x4



C x8



M8x16mm

I x4



E x5



M6xΦ 16x1.5mm

F x1

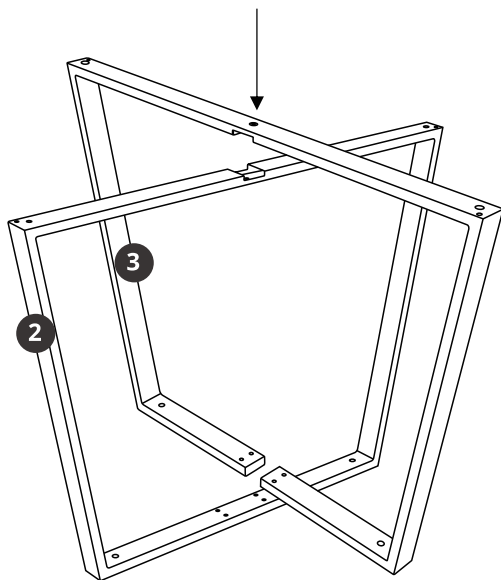


M6x16mm

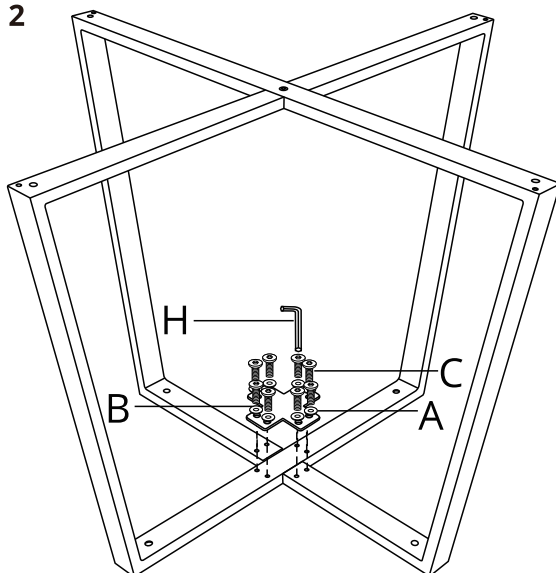






ASSEMBLY INSTRUCTIONS

Step 1



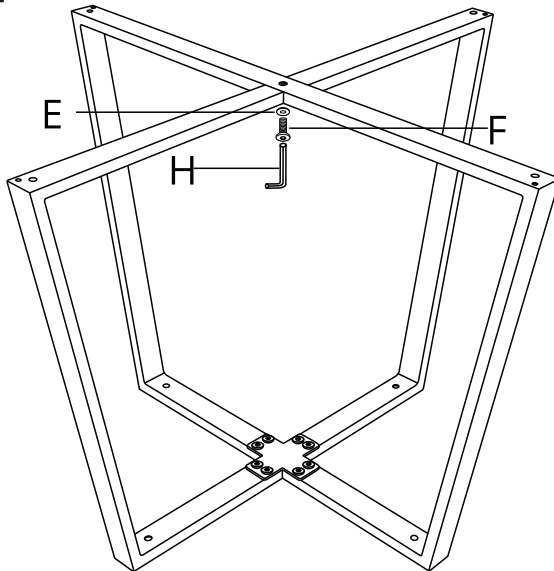
Step 2






A		1
B		8
C		8
H		1

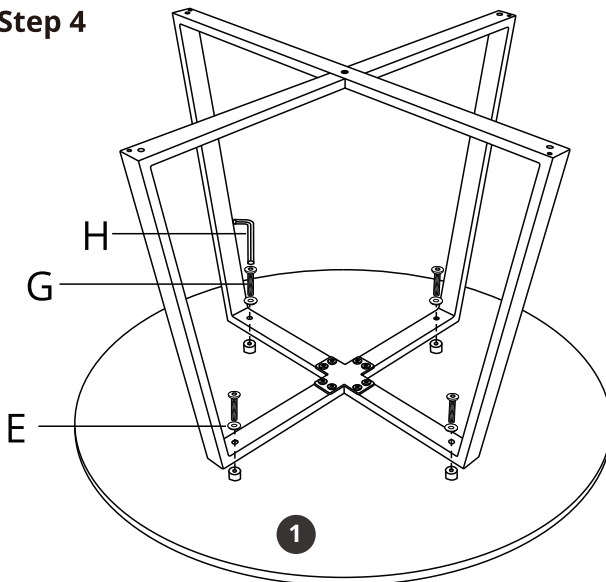
ASSEMBLY INSTRUCTIONS




Step 3



E		1
F		1
H		1

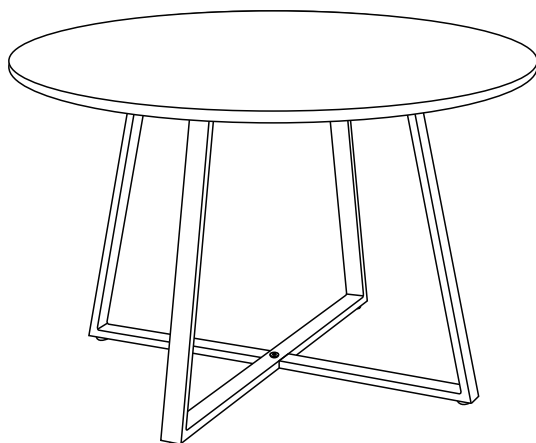
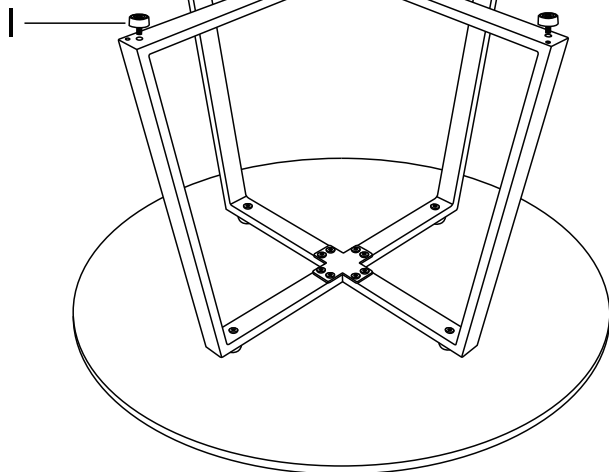
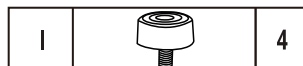
Step 4



E		4
G		4
H		1

ASSEMBLY INSTRUCTIONS

Step 5



Congratulations! Now you have finished assembling the product.

IF YOU FIND A DEFECTIVE PART

We fully stock all parts and components. Any defective part can be quickly replaced. Take note of the defective part number in manual and we will arrange a replacement.

COPYRIGHT

All material in this instruction manual is copyrighted by AGTC Ltd.

Any unauthorised use may violate worldwide copyright, trademark and other laws.