

# ASSEMBLY INSTRUCTION

LEFT SIDE 2-SEATER WITH PULL-OUT BED AND USB PORTS, 2 ARMS WITH SHELVES  
RIGHT SIDE CHAISE WITH HIDDEN STORAGE, 2-SEATER'S BACKS AND 2 PILLOWS

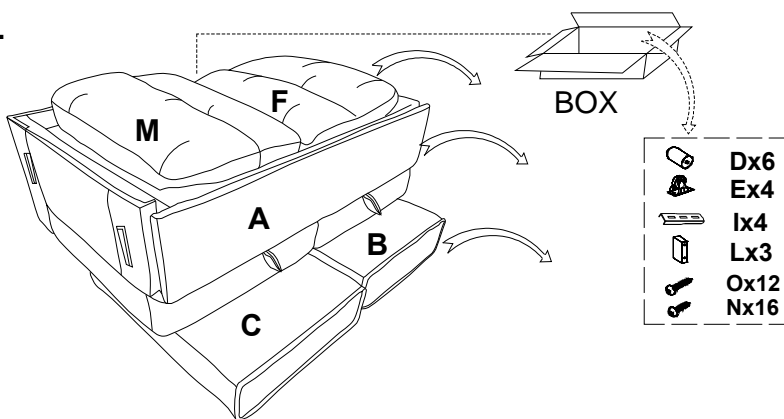


Legs and hardware are stored in the box, please take out for assembly.

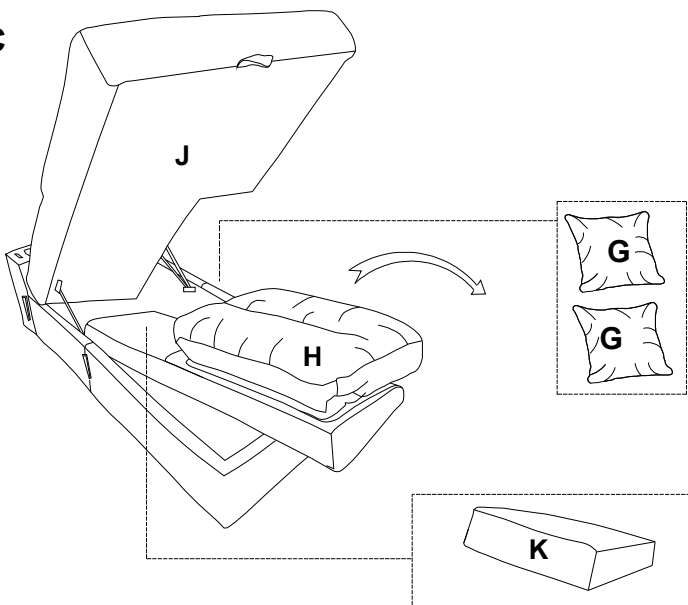
NOTE: Do not use power tools for assembly. Power tools increase the risk of over tightening which lead to splitting or cracking the wood.

## Location of KD parts

2L



RC



## 2-SEATER (2L) PART LIST

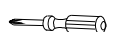
No.	Description	Diagram	Quantity
A	POP-UP SLEEPER SEAT		1
B	RSF ARM (Arm for RC)		1
C	LSF ARM		1
D	ROUND PLASTIC LEG 50x50x50mm		4
E	CASTOR		4
F	BACK CUSHION LSF		1
G	PILLOW 18"x18" (Packed in RC)		1
H	BACK REST (Packed in RC)		1
I	MALE BRACKET		2

## CHAISE (RC) PART LIST

No.	Description	Diagram	Quantity
J	CHAISE SEAT		1
K	BACK REST		1
L	PLASTIC LEG 150x50x50mm (packed in 2L)		3
M	BACK CUSHION RSF (packed in 2L)		1
I	MALE BRACKET (packed in 2L)		2
G	PILLOW 18"x18"		1
D	ROUND PLASTIC LEG 50x50x50mm (packed in 2L)		2

## HARDWARE LIST :

No.	Description	Diagram	Quantity
O	SCREW	Ø8x45MM	12
N	SCREW	Ø8x25MM	16

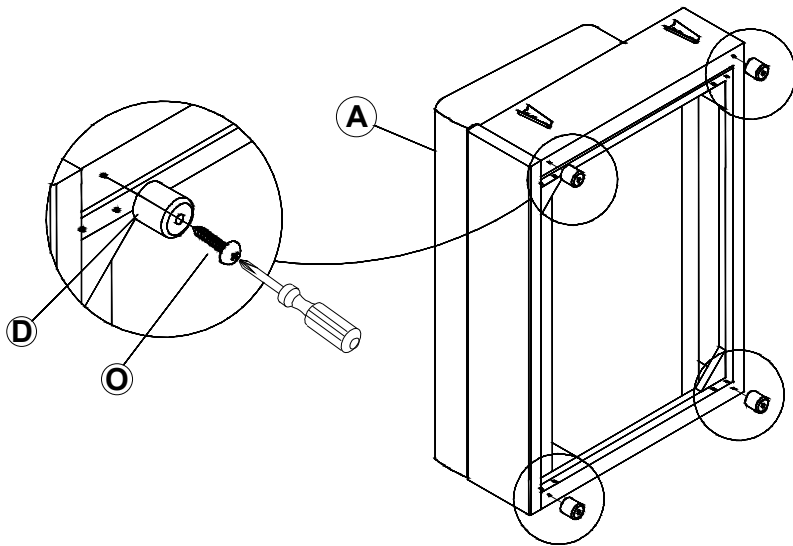


Not Included

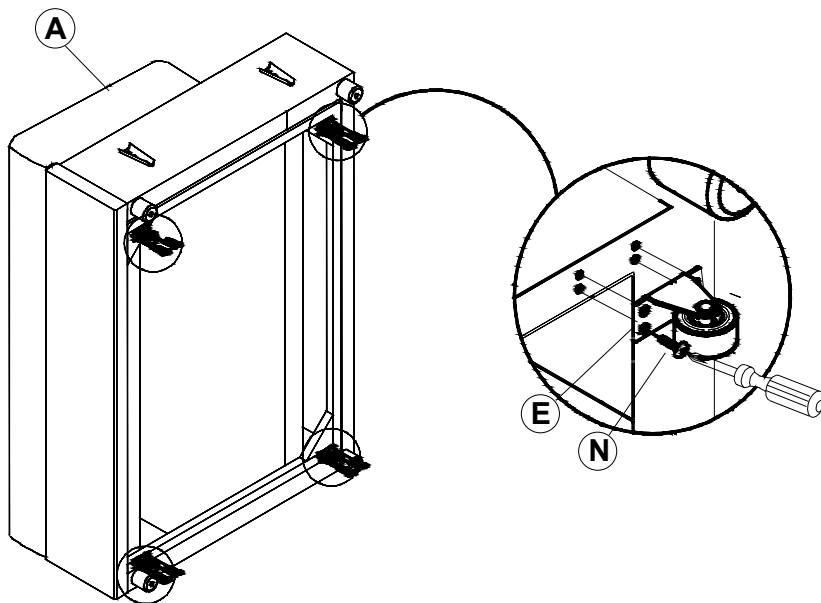
# ASSEMBLY INSTRUCTION

LEFT SIDE 2-SEATER WITH PULL-OUT BED AND USB PORTS, 2 ARMS WITH SHELVES  
RIGHT SIDE CHAISE WITH HIDDEN STORAGE, 2-SEATER'S BACKS AND 2 PILLOWS

## Step 1



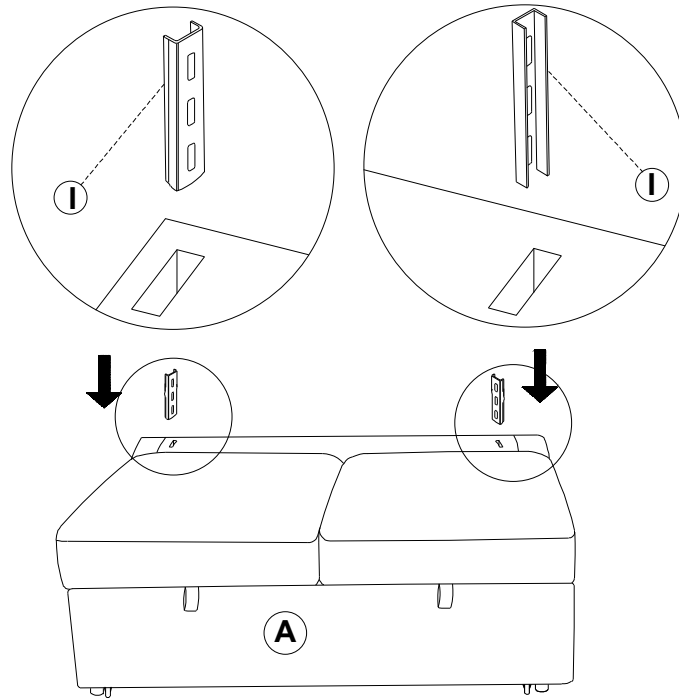
## Step 2



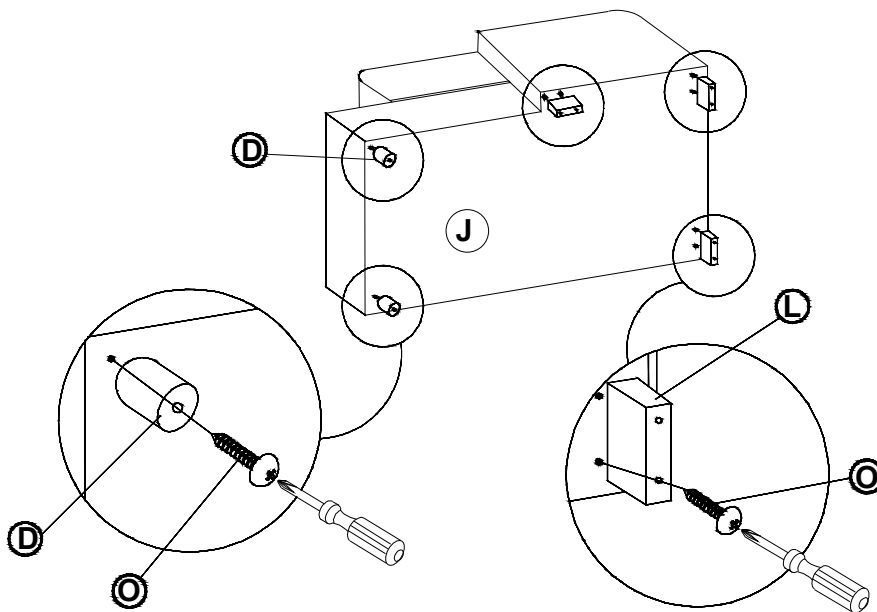
# ASSEMBLY INSTRUCTION

LEFT SIDE 2-SEATER WITH PULL-OUT BED AND USB PORTS, 2 ARMS WITH SHELVES  
RIGHT SIDE CHAISE WITH HIDDEN STORAGE, 2-SEATER'S BACKS AND 2 PILLOWS

## Step 3



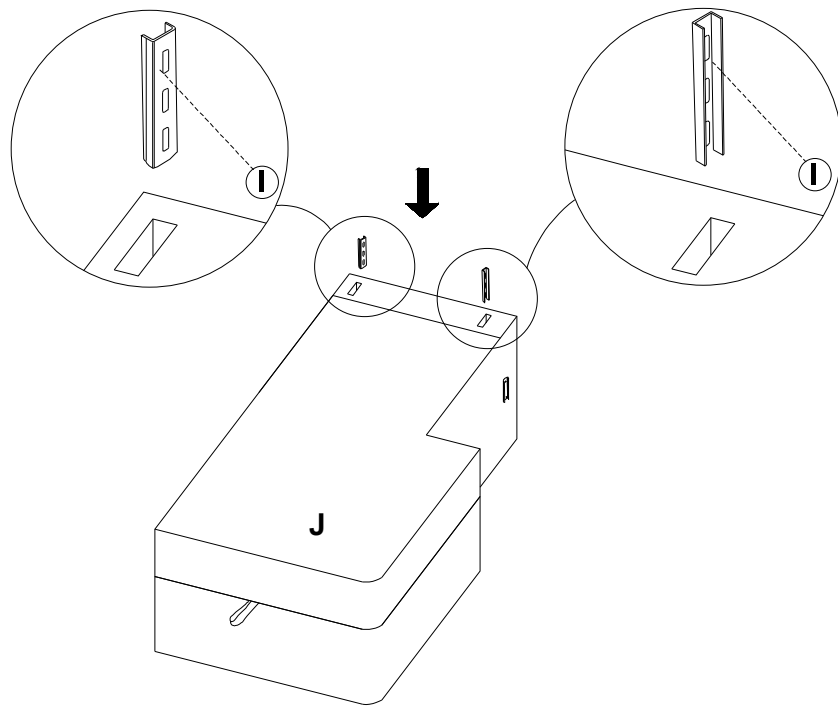
## Step 4



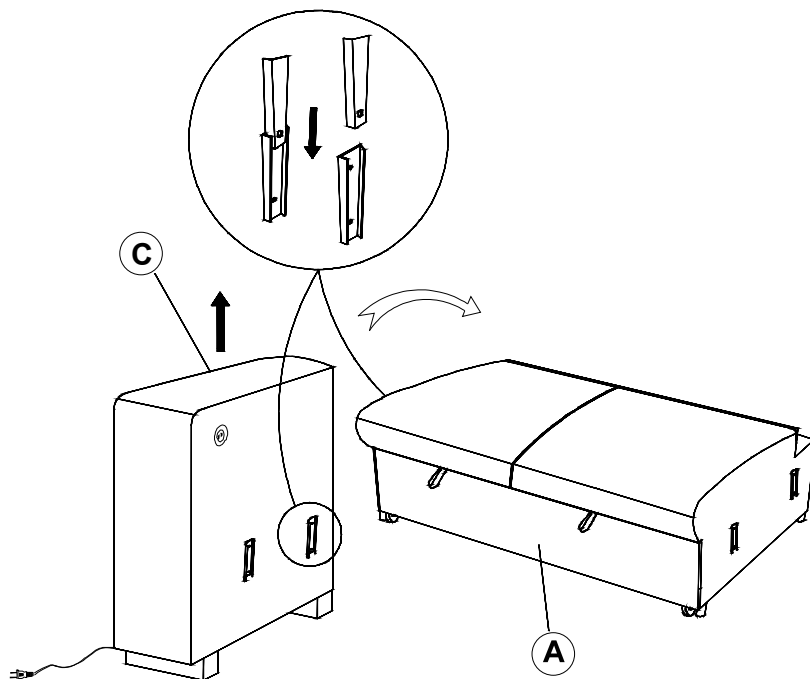
# ASSEMBLY INSTRUCTION

LEFT SIDE 2-SEATER WITH PULL-OUT BED AND USB PORTS, 2 ARMS WITH SHELVES  
RIGHT SIDE CHAISE WITH HIDDEN STORAGE, 2-SEATER'S BACKS AND 2 PILLOWS

## Step 5



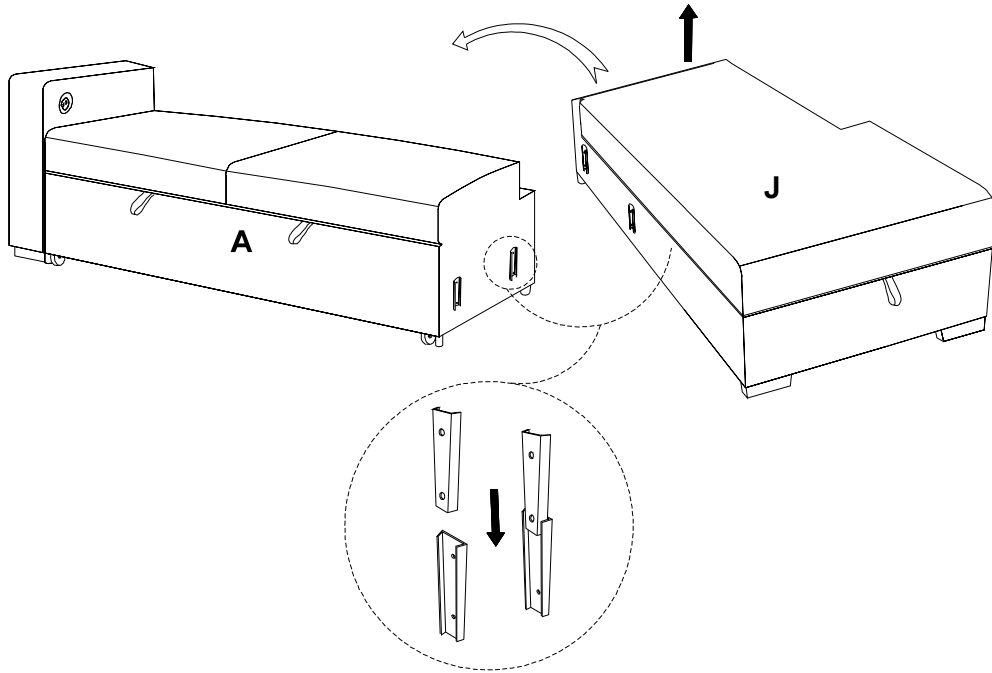
## Step 6



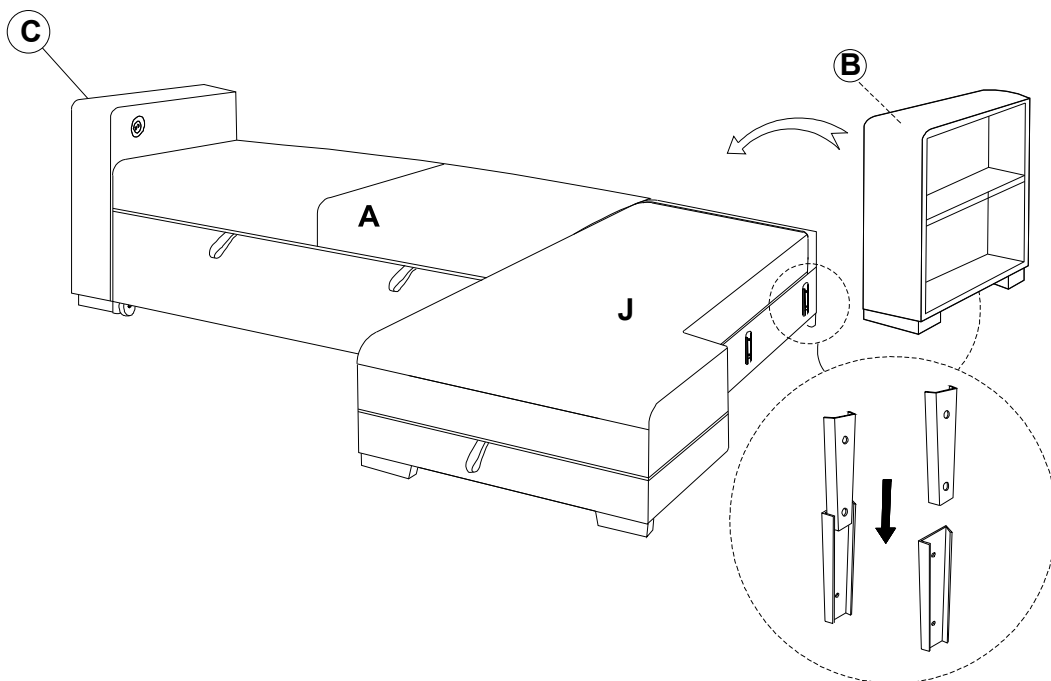
# ASSEMBLY INSTRUCTION

LEFT SIDE 2-SEATER WITH PULL-OUT BED AND USB PORTS, 2 ARMS WITH SHELVES  
RIGHT SIDE CHAISE WITH HIDDEN STORAGE, 2-SEATER'S BACKS AND 2 PILLOWS

## Step 7



## Step 8

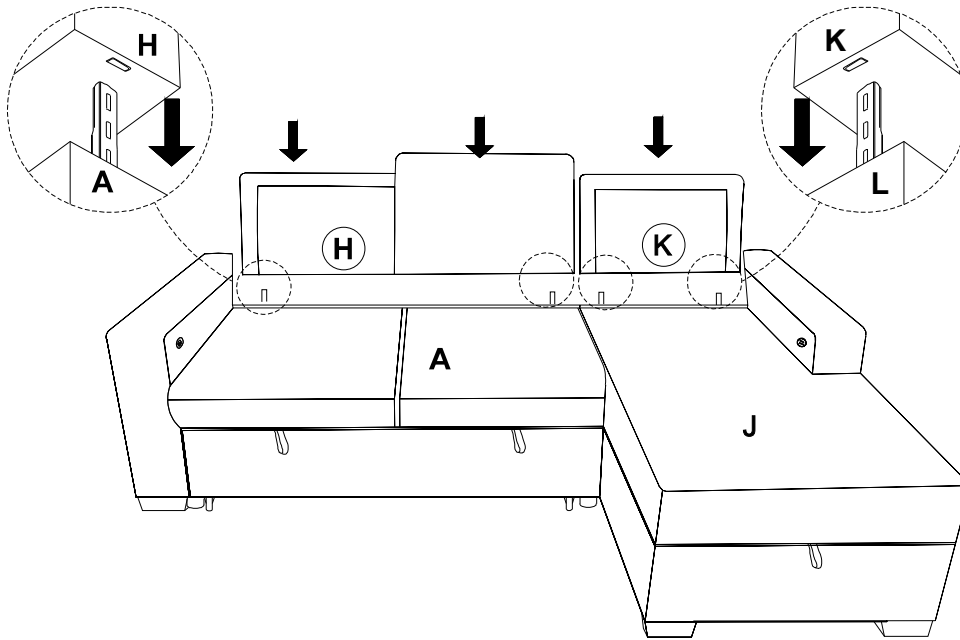


# ASSEMBLY INSTRUCTION

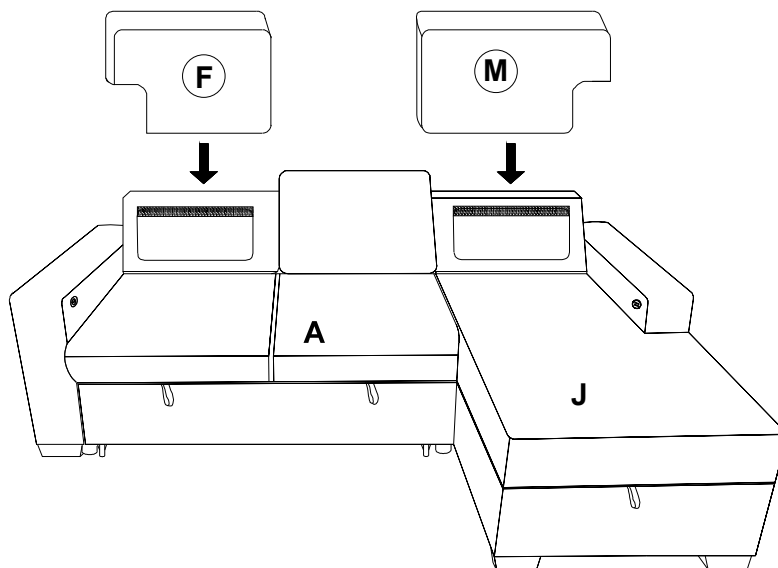
LEFT SIDE 2-SEATER WITH PULL-OUT BED AND USB PORTS, 2 ARMS WITH SHELVES

RIGHT SIDE CHAISE WITH HIDDEN STORAGER, 2-SEATER'S BACKS AND 2 PILLOWS

## Step 9



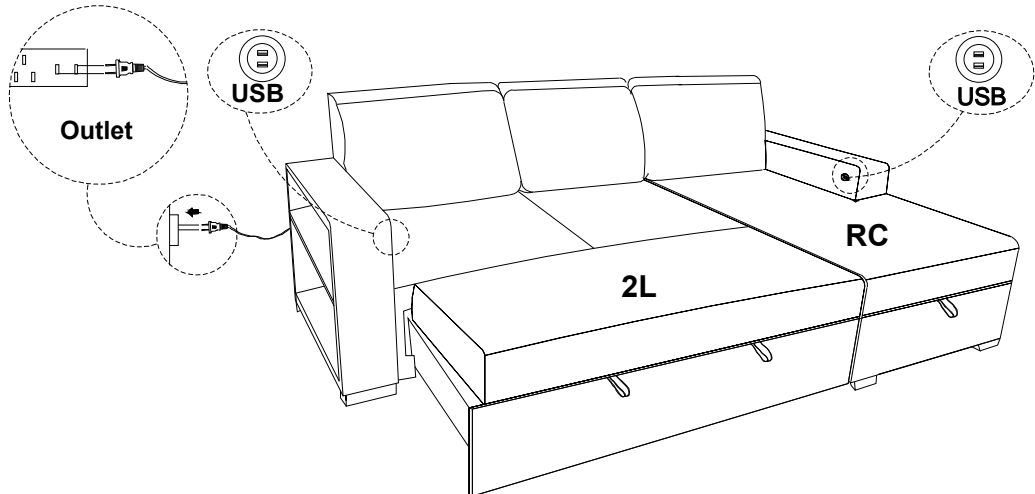
## Step 10



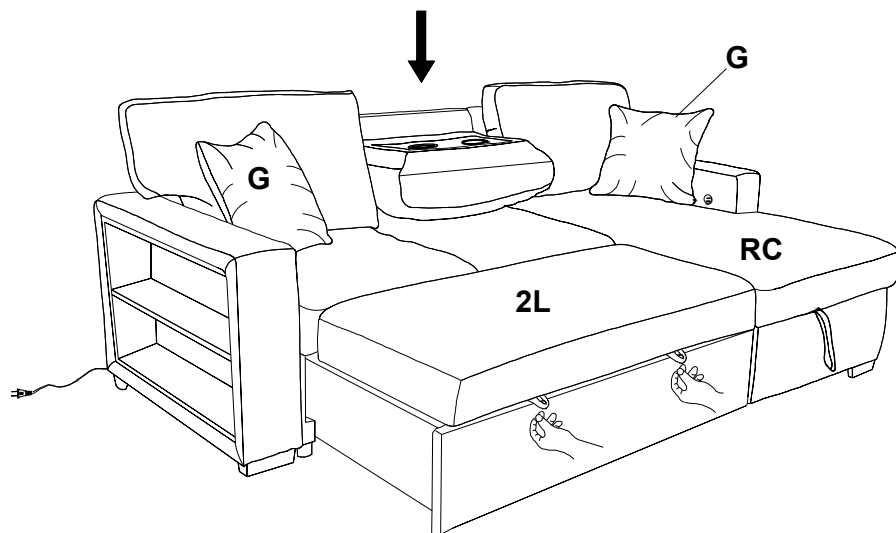
# ASSEMBLY INSTRUCTION

LEFT SIDE 2-SEATER WITH PULL-OUT BED AND USB PORTS, 2 ARMS WITH SHELVES  
RIGHT SIDE CHAISE WITH HIDDEN STORAGER, 2-SEATER'S BACKS AND 2 PILLOWS

## Step 11



## Step 12



### Care Instruction for Boucle Furniture:

In order to maintain the original appearance of your Boucle furniture, please follow below simple care procedures:

Avoid exposing furniture directly to sunlight or heating and air conditioning outlets. Sunlight and or exposure to heating and air conditioning outlets will fade/damage Boucle.

Vacuum or wipe with a soft cloth to remove dust.

Hardware may loosen over time. Periodically check to make sure all connection are tight, Re-tighten if necessary.



For item use on wooden floor, hard surfaces or carpets, it is recommended to install protective pads under all legs and supports to avoid/prevent from damages/scratches and discoloration.

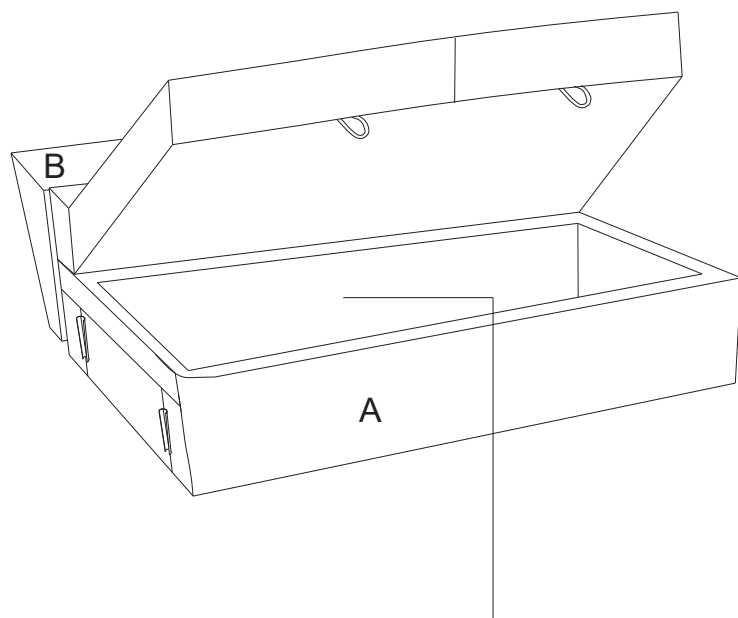
# ASSEMBLY INSTRUCTION

## Armless 2-seater with Hidden storage



Legs and hardware are stored in the box, please take out for assembly.

NOTE: Do not use power tools for assembly. Power tools increase the risk of over tightening which lead to splitting or cracking the wood.



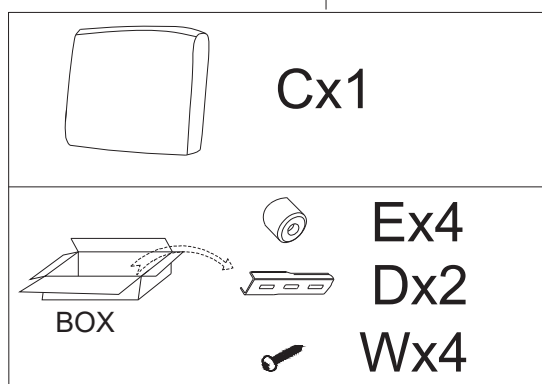
### PART LIST

NO.	Description	Diagram	Quantity
A	SEAT		1
B	BACK REST		1
C	BACK CUSHION		1
D	MALE BRACKET		2
E	ROUND PLASTIC LEG 50x50x50mm		4

### HARDWARE LIST

NO.	Description	Diagram	Size	Quantity
W	SCREW		Ø8x45mm	4

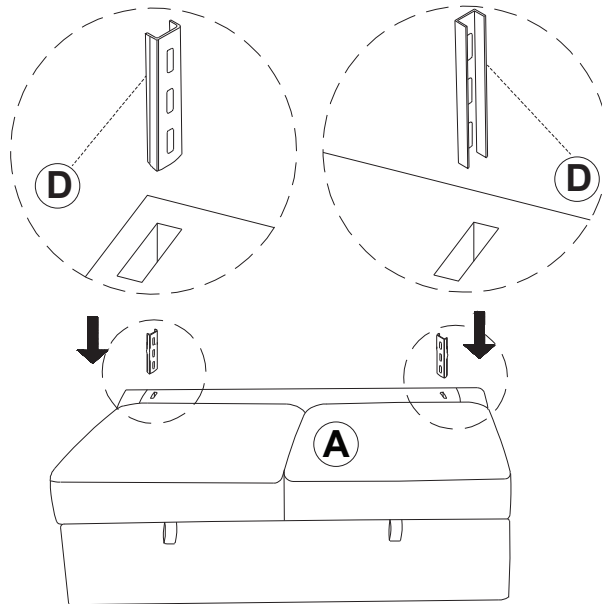
  
Not Included



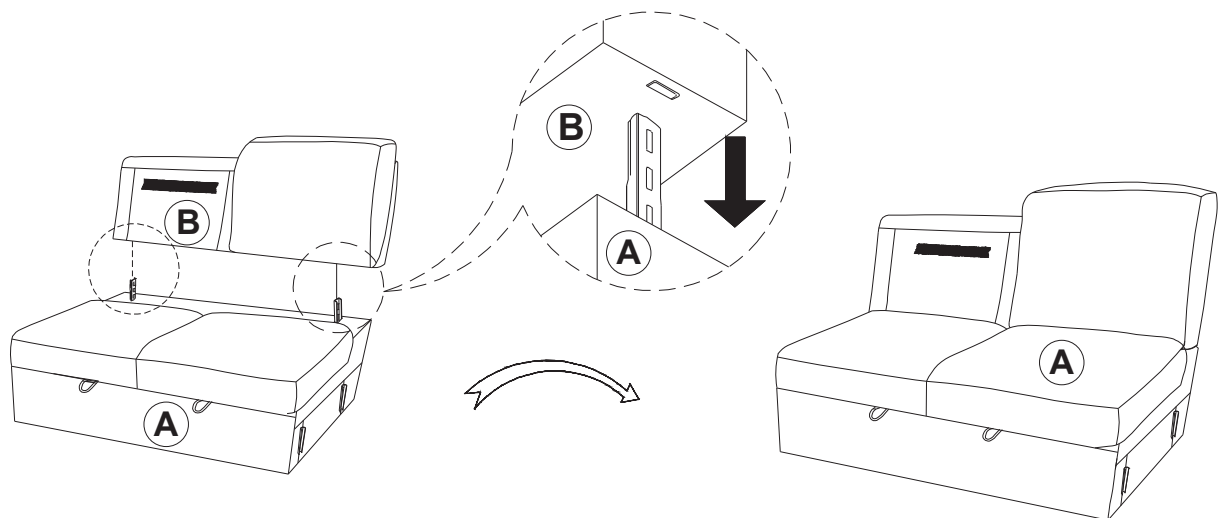
# ASSEMBLY INSTRUCTION

## Armless 2-seater with Hidden storage

Step 1:



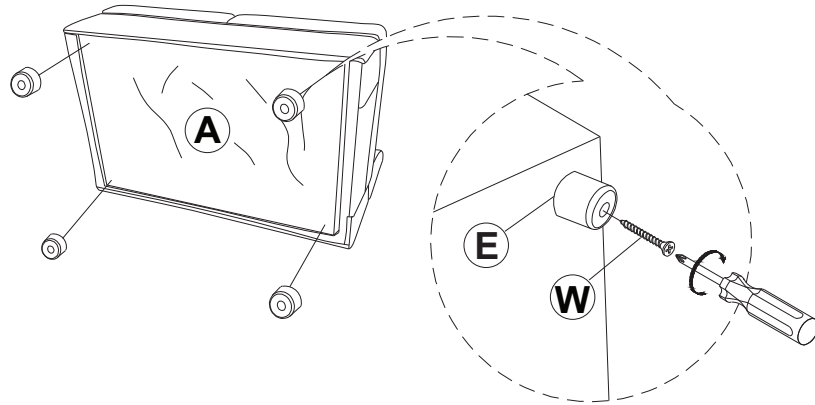
Step 2:



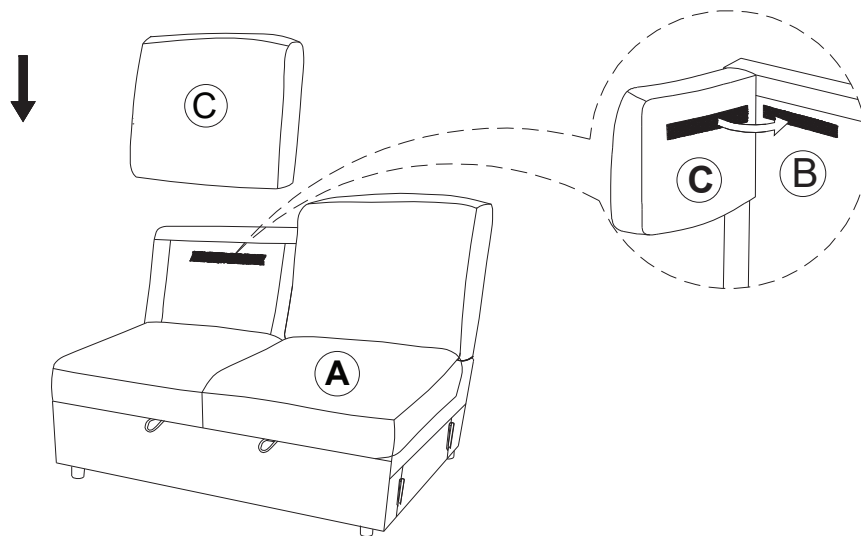
# ASSEMBLY INSTRUCTION

## Armless 2-seater with Hidden storage

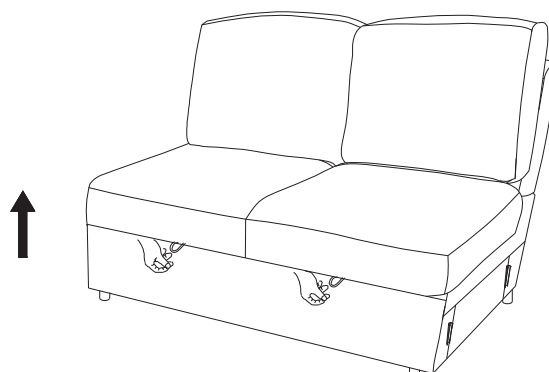
Step 3:



Step 4:

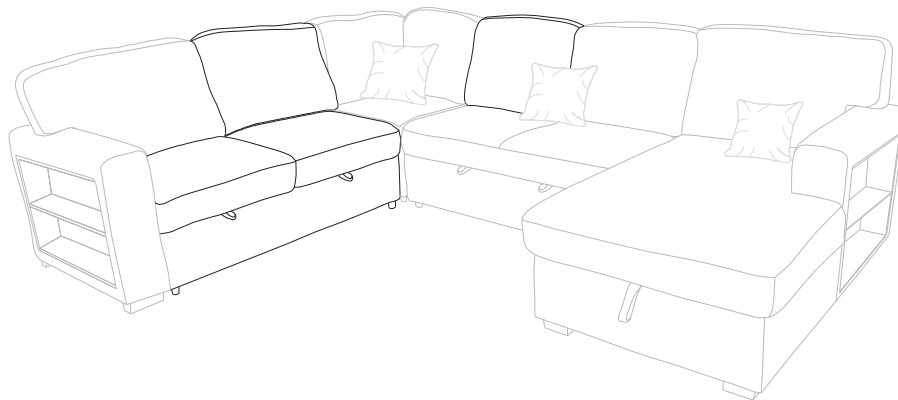
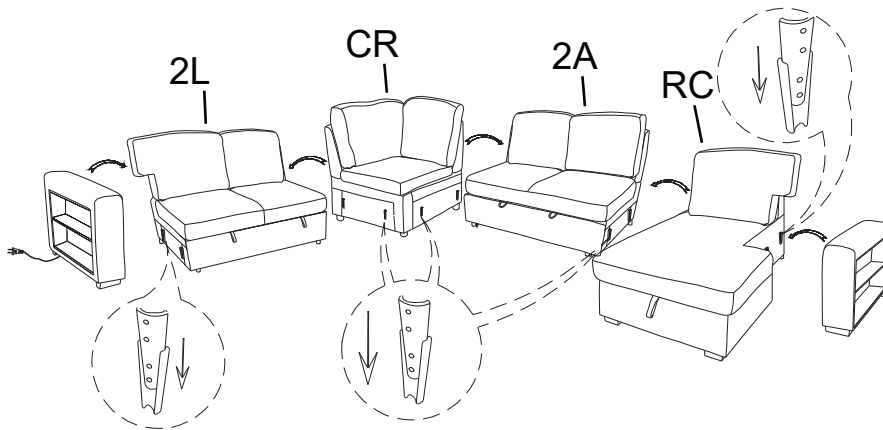


Step 5:



# ASSEMBLY INSTRUCTION


## Armless 2-seater with Hidden storage



### Care Instruction for Boucle Furniture:

In order to maintain the original appearance of your Boucle furniture, please follow below simple care procedures:

- • Avoid exposing furniture directly to sunlight or heating and air conditioning outlets. Sunlight and or exposure to heating and air conditioning outlets will fade/damage Boucle.
- • Vacuum or wipe with a soft cloth to remove dust.
- • Hardware may loosen over time. Periodically check to make sure all connection are tight, Re-tighten if necessary.

 For item use on wooden floor, hard surfaces or carpets, it is recommended to install protective pads under all legs and supports to avoid/prevent from damages/scratches and discoloration.

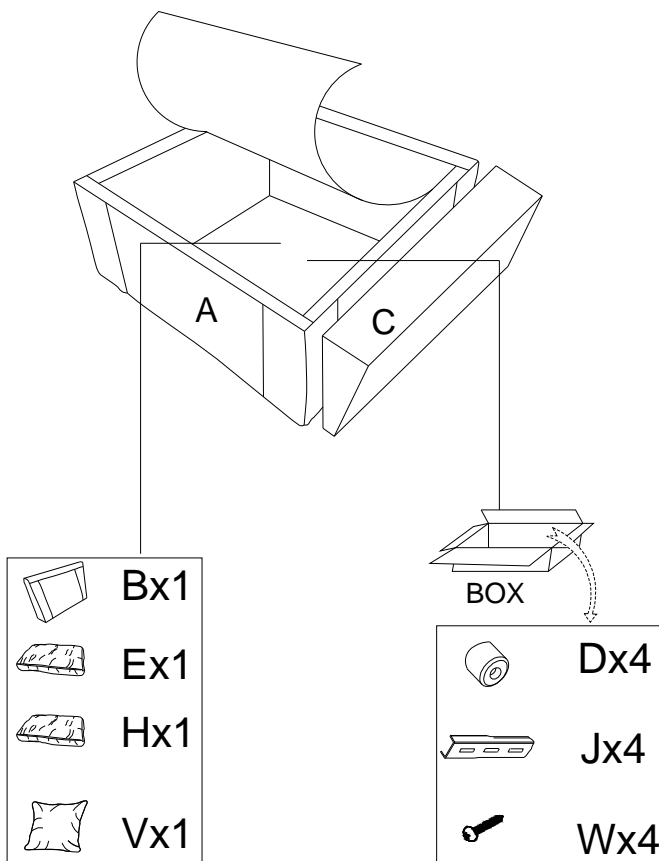
# ASSEMBLY INSTRUCTION

## Corner Seat



Legs and hardware are stored in the box, please take out for assembly.

NOTE: Do not use power tools for assembly. Power tools increase the risk of over tightening which lead to splitting or cracking the wood.



### PART LIST

NO.	Description	Diagram	Quantity
A	SEAT		1
B	BACK REST (SHORT)		1
C	BACK REST (LONG)		1
D	ROUND PLASTIC LEG 50x50x50mm		4
E	BACK CUSHION (LEFT)		1
H	BACK CUSHION (RIGHT)		1
J	MALE BRACKET		4
V	PILLOW		1

### HARDWARE LIST

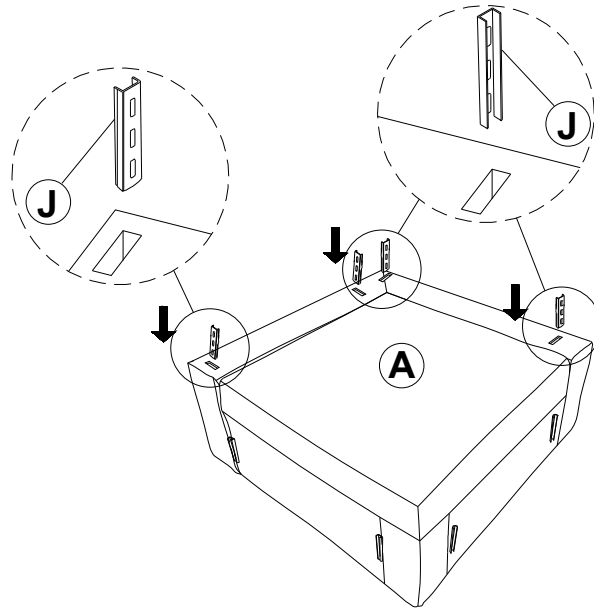
NO.	Description	Diagram	Size	Quantity
W	SCREW		Ø8x45mm	4

Not Included

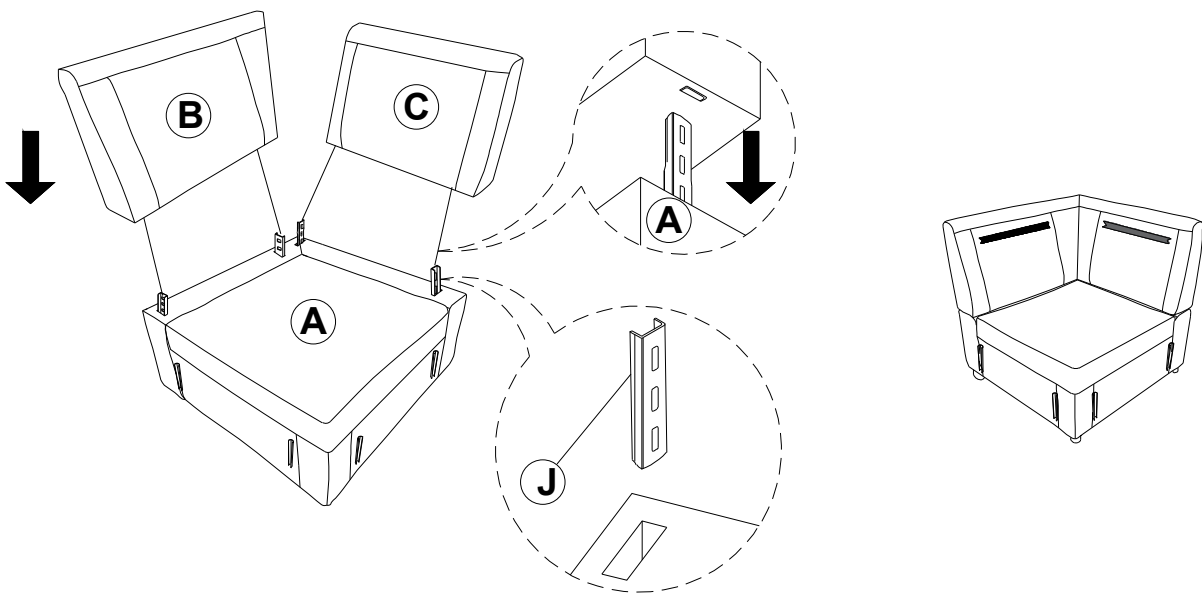
# ASSEMBLY INSTRUCTION

## Corner Seat

Step 1:



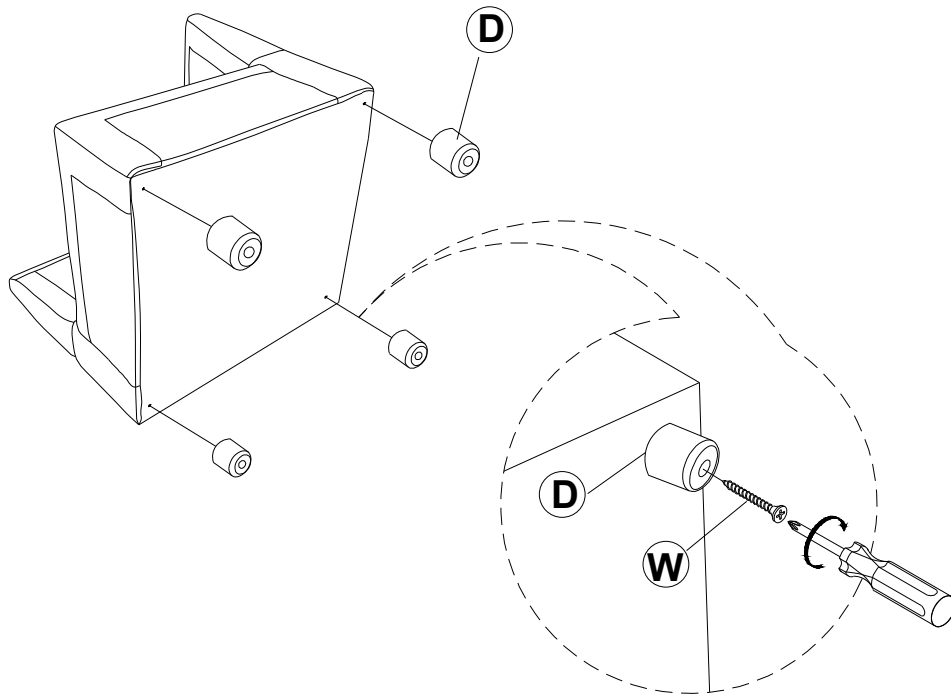
Step 2:



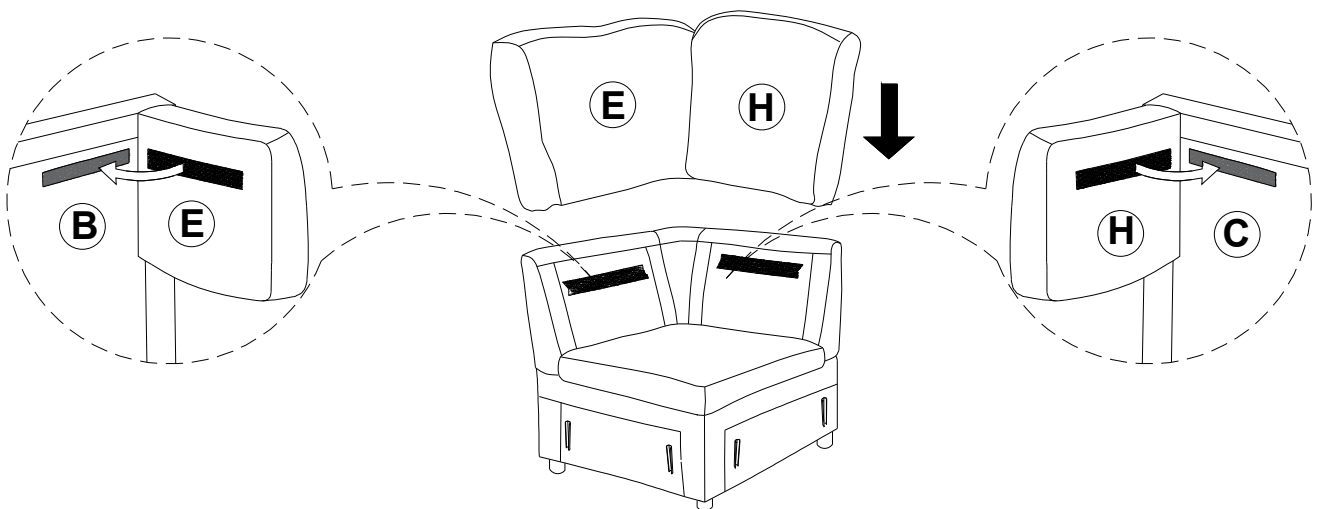
# ASSEMBLY INSTRUCTION

## Corner Seat

Step 3:

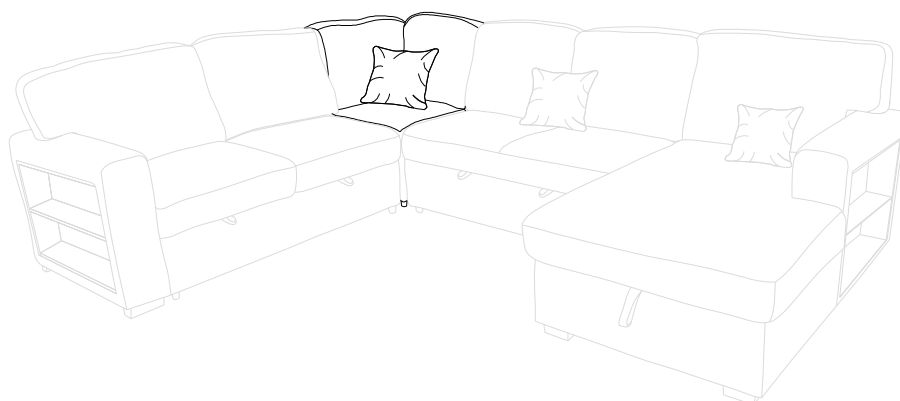
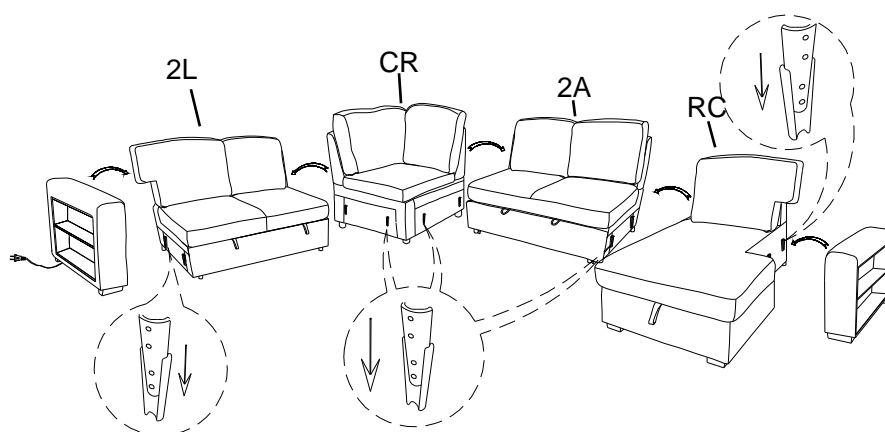


Step 4:



# ASSEMBLY INSTRUCTION

## Corner Seat



### Care Instruction for Boucle Furniture:

In order to maintain the original appearance of your Boucle furniture, please follow below simple care procedures:

Avoid exposing furniture directly to sunlight or heating and air conditioning outlets. Sunlight and or exposure to heating and air conditioning outlets will fade/damage Boucle.

Vacuum or wipe with a soft cloth to remove dust.

Hardware may loosen over time. Periodically check to make sure all connection are tight, Re-tighten if necessary.



For item use on wooden floor, hard surfaces or carpets, it is recommended to install protective pads under all legs and supports to avoid/prevent from damages/scratches and discoloration.