
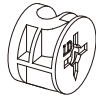




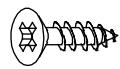
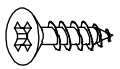
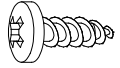

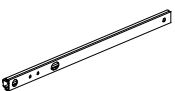

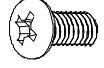

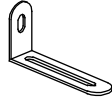

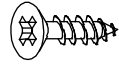
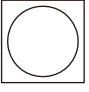
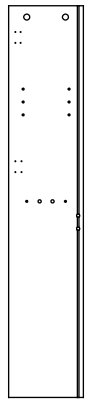
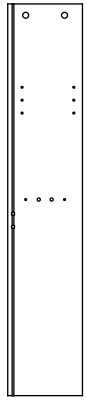
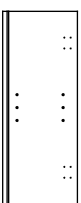
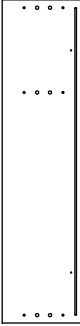

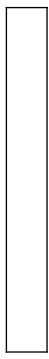
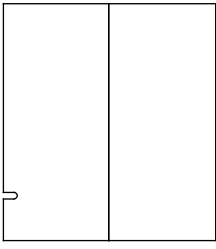
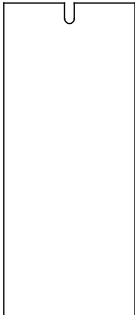
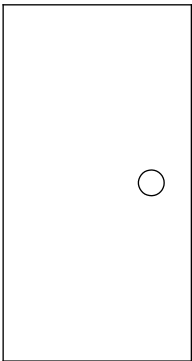
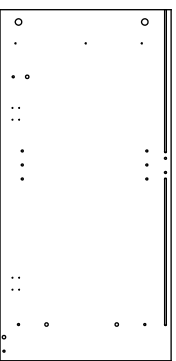
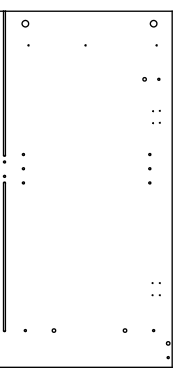



INSTRUCTION MANUAL



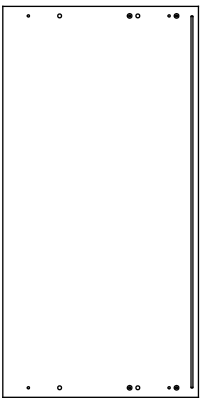
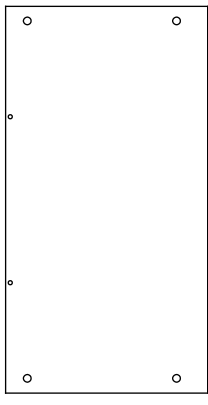


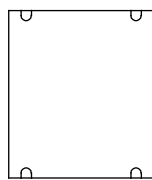
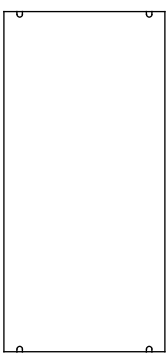
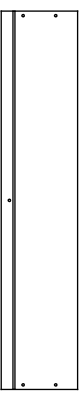

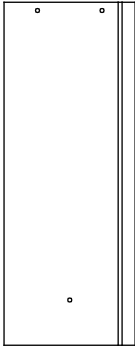
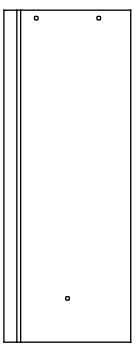
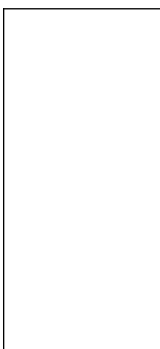

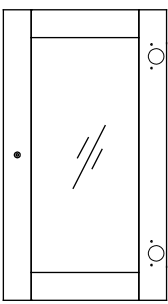
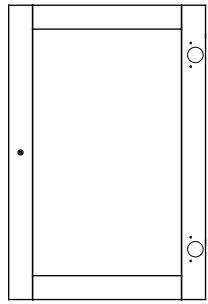
HARDWARE

<p>A</p>  <p>33PCS</p>	<p>B</p>  <p>33PCS</p>	<p>C</p>  <p>34PCS</p>	<p>D</p>  <p>4PCS</p>	<p>E</p>  <p>4 x 18mm 4PCS</p>	<p>F</p>  <p>2PCS</p>
<p>G</p>  <p>4 x 16mm 4PCS</p>	<p>H</p>  <p>3 x 12mm 6PCS</p>	<p>I</p>  <p>4 x 12mm 2PCS</p>	<p>J</p>  <p>4 x 35mm 13PCS</p>	<p>K</p>  <p>2PCS</p>	<p>L</p>  <p>8PCS</p>
<p>M</p>  <p>4 x 10mm 2PCS</p>	<p>N</p>  <p>12PCS</p>	<p>O</p>  <p>2PCS</p>	<p>P</p>  <p>2PCS</p>	<p>Q</p>  <p>4 x 14mm 48PCS</p>	<p>R</p>  <p>4PCS</p>

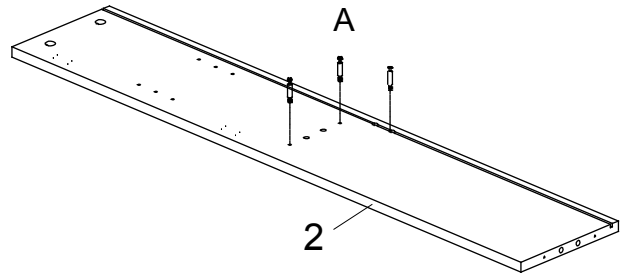
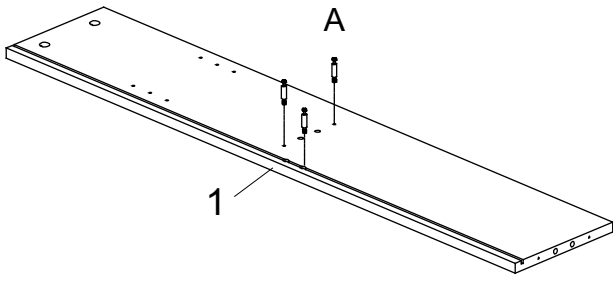
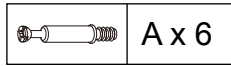
PARTS

<p>1</p>  <p>1PC</p>	<p>2</p>  <p>1PC</p>	<p>3</p>  <p>1PC</p>	<p>4</p>  <p>1PC</p>	<p>5</p>  <p>1PC</p>	<p>6</p>  <p>1PC</p>
<p>7</p>  <p>1PC</p>	<p>8</p>  <p>1PC</p>	<p>9</p>  <p>1PC</p>	<p>10</p>  <p>1PC</p>	<p>11</p>  <p>1PC</p>	<p>12</p>  <p>1PC</p>

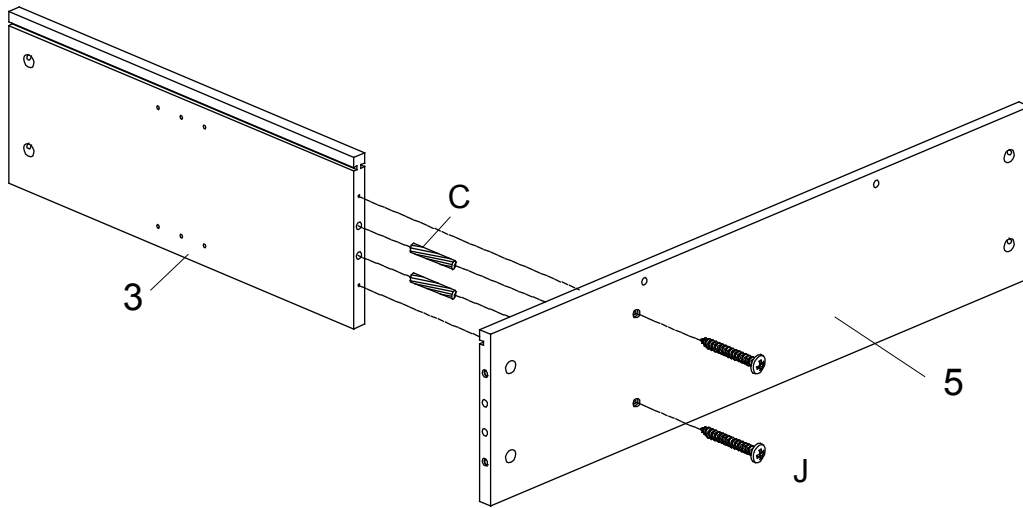
PARTS

<p>13</p>  <p>1PC</p>	<p>14</p>  <p>2PCS</p>	<p>15</p>  <p>1PC</p>	<p>16</p>  <p>1PC</p>	<p>17</p>  <p>1PC</p>	<p>18</p>  <p>1PC</p>
<p>19</p>  <p>1PC</p>	<p>20</p>  <p>1PC</p>	<p>21</p>  <p>1PC</p>	<p>22</p>  <p>1PC</p>	<p>23</p>  <p>1PC</p>	<p>24</p>  <p>1PC</p>
<p>25</p>  <p>1PC</p>	<p>26</p>  <p>1PC</p>	<p>27</p>  <p>2PC</p>	<p>28</p>  <p>2PC</p>		

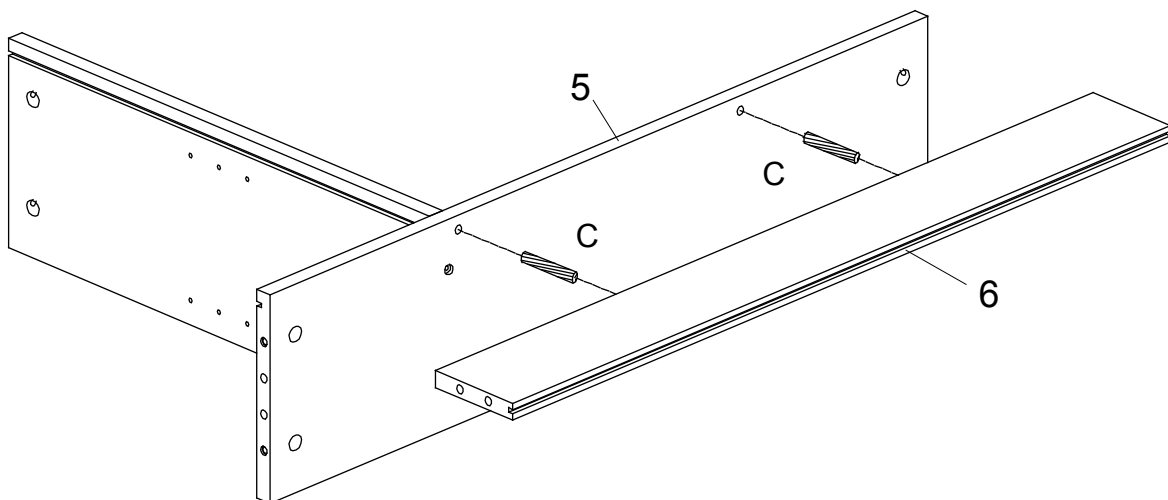
STEP 1



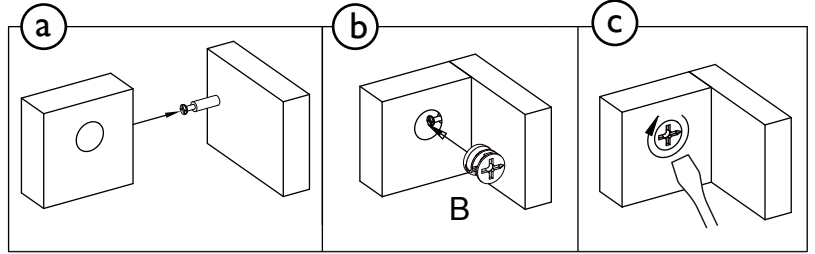
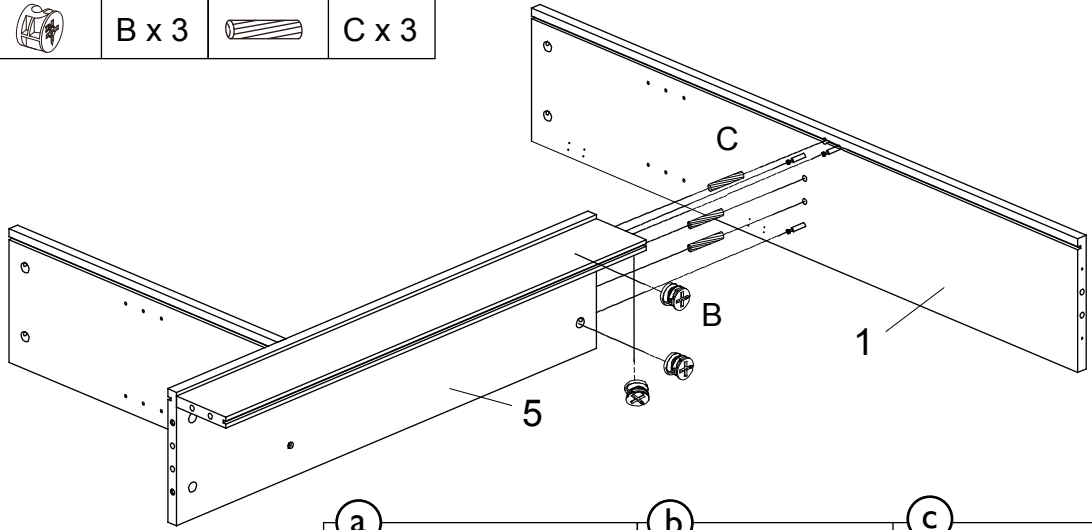
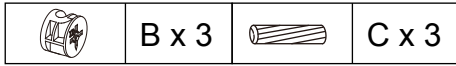
STEP 2



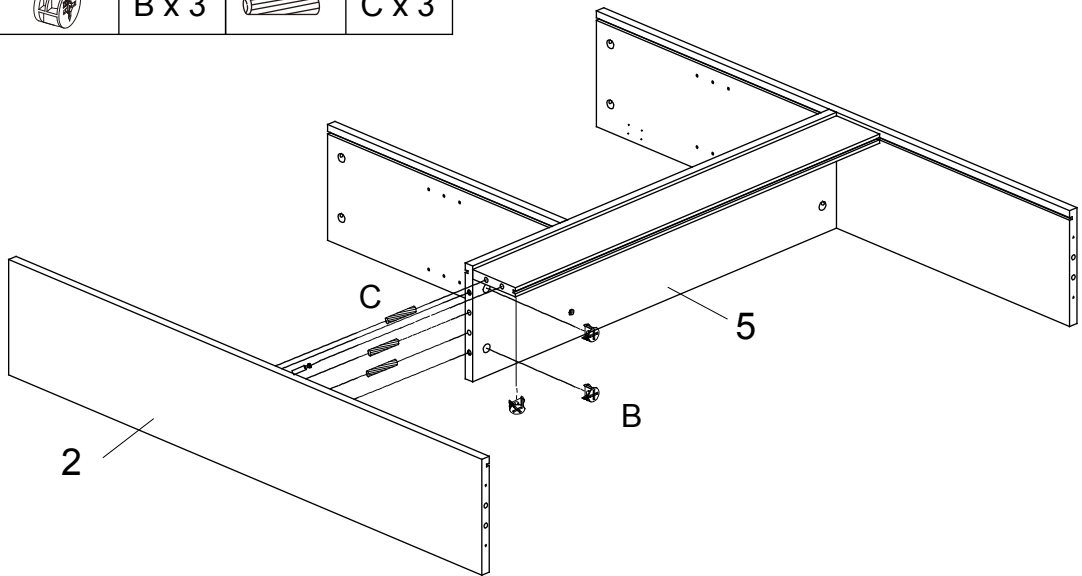
STEP 3



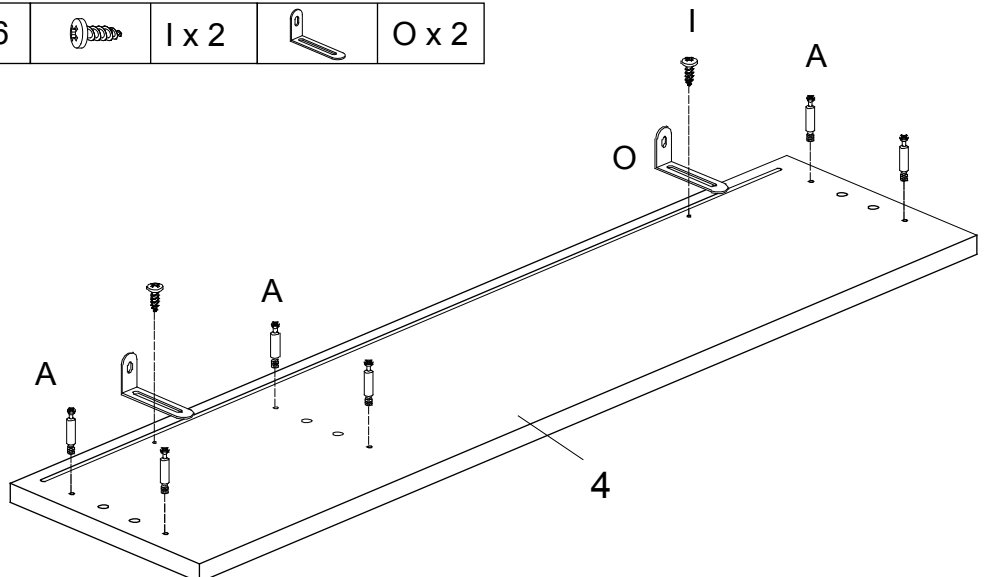
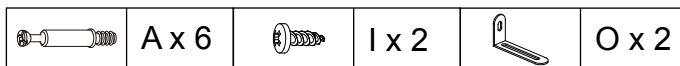
STEP 4



STEP 5

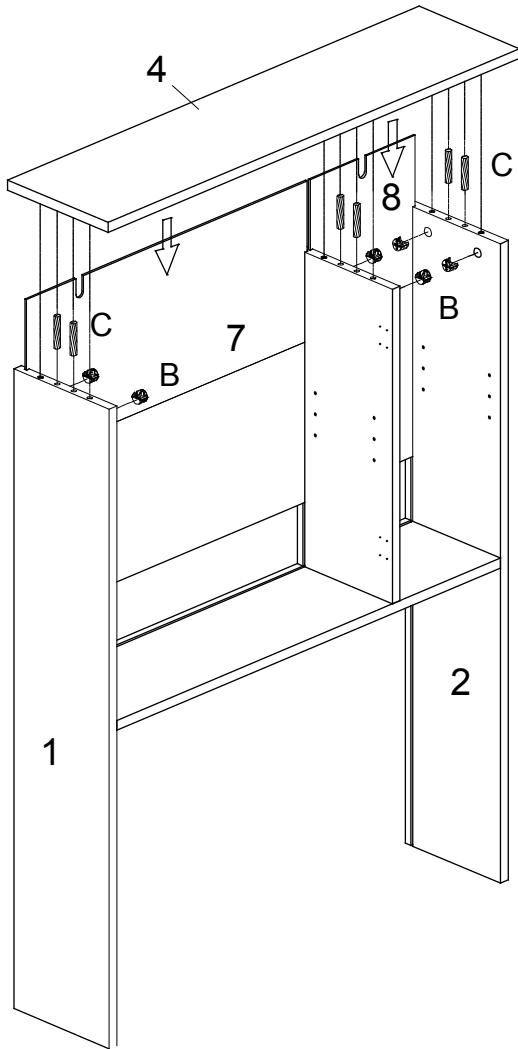


STEP 6



STEP 7

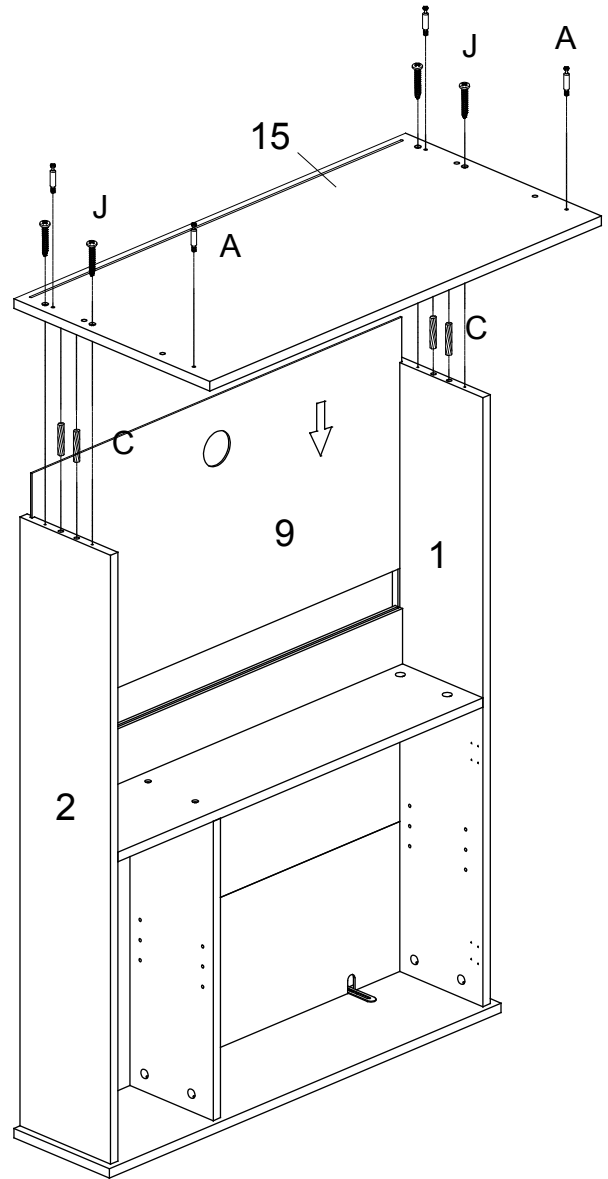
	B x 6		C x 6
---	-------	---	-------



STEP 8

	A x 4		C x 4
---	-------	---	-------

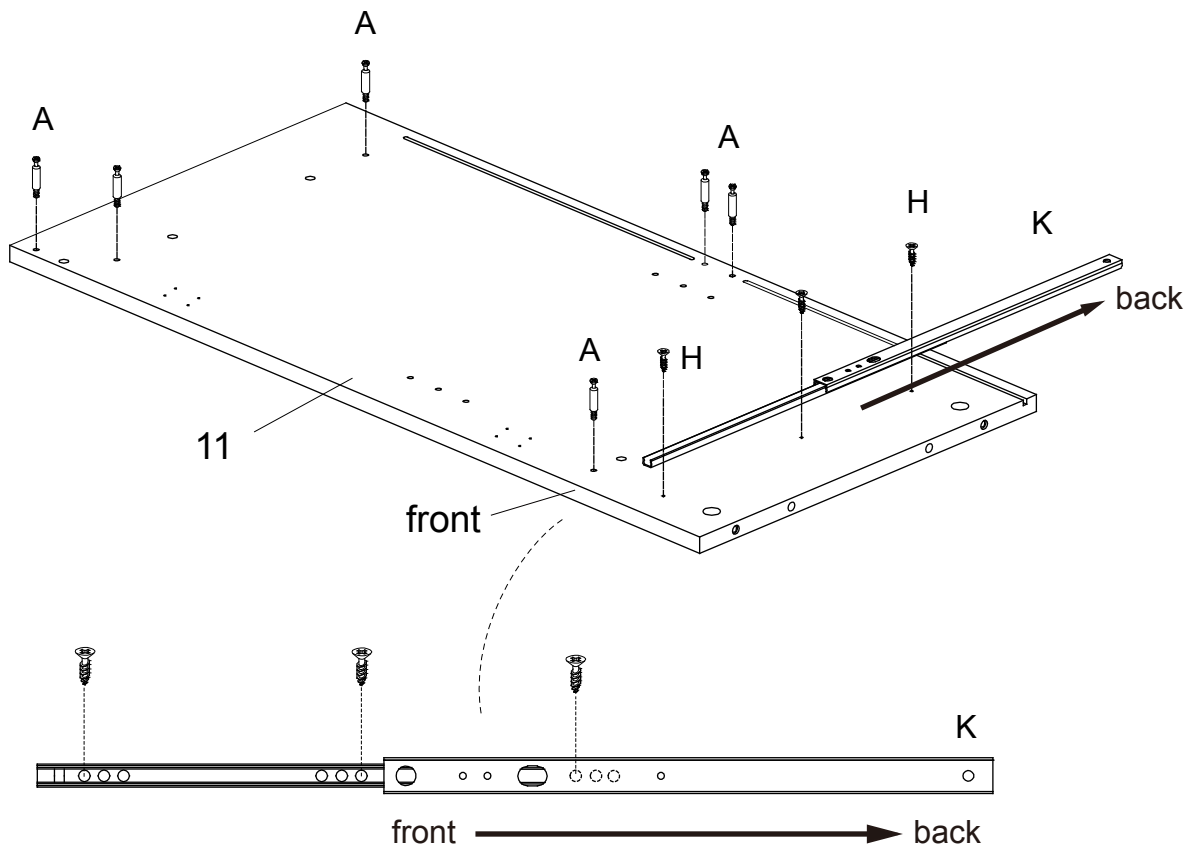
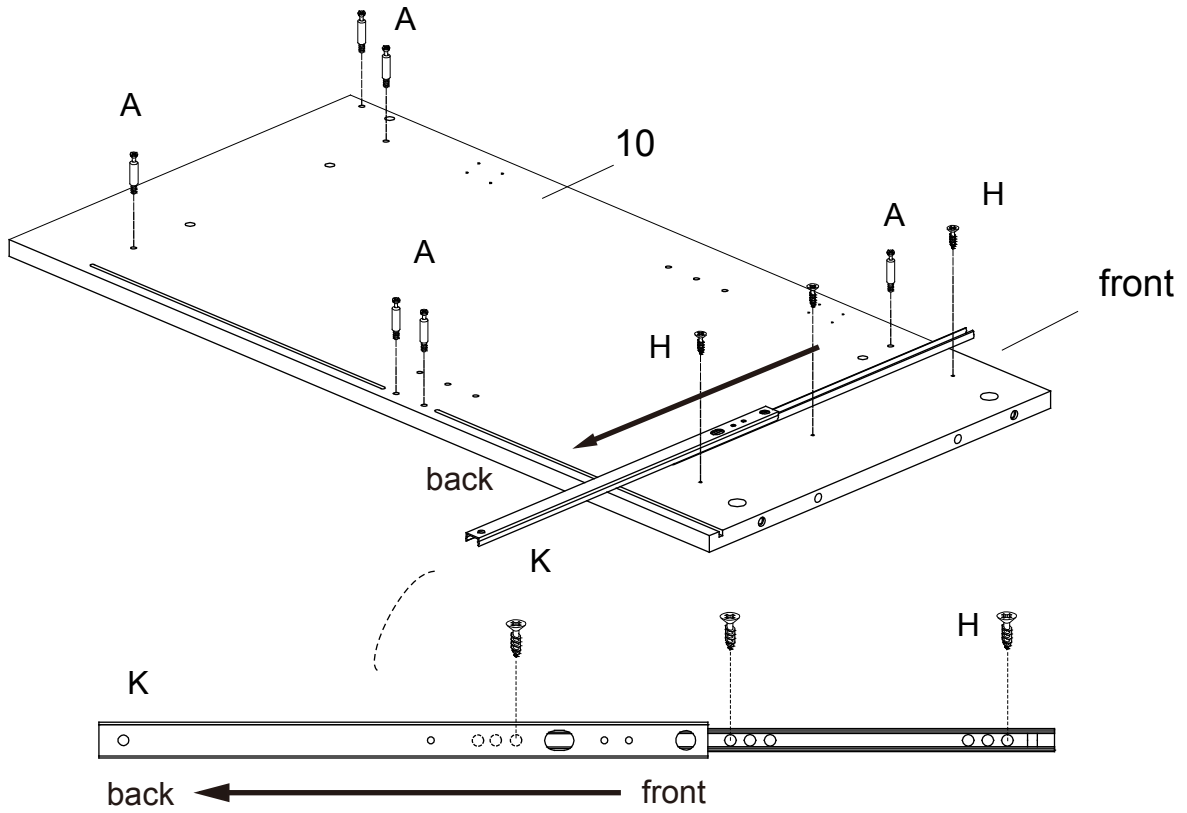
	J x 4
---	-------



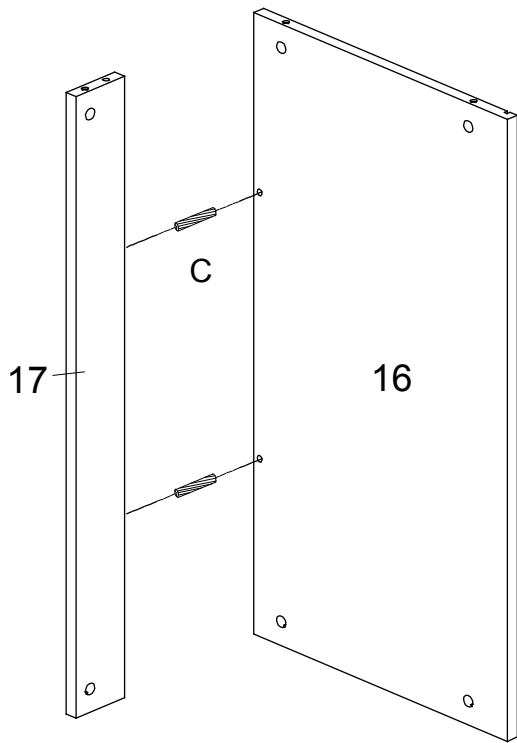
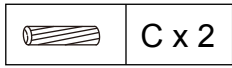
STEP 9



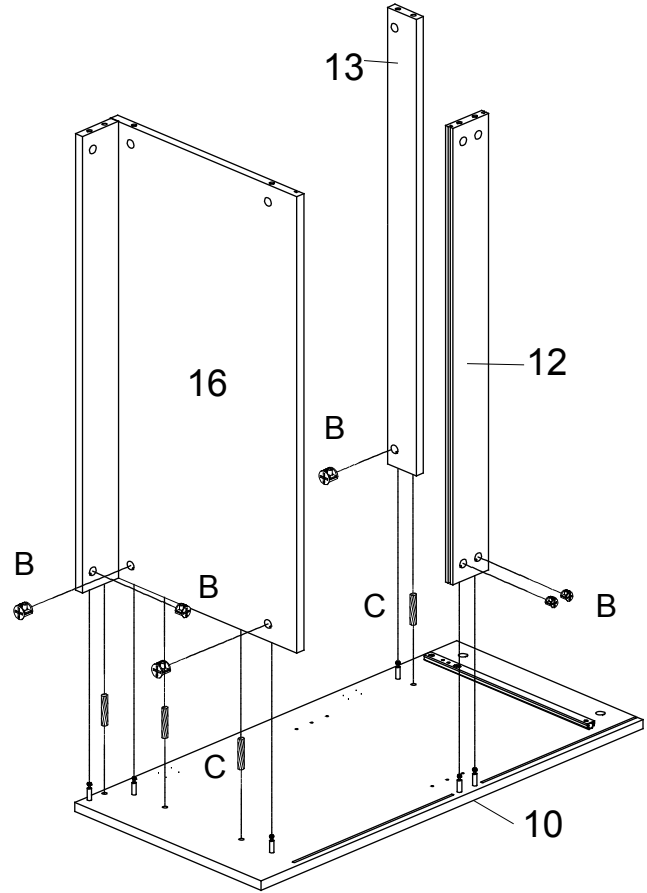
Please install the screws into the correct holes based on the instructions.



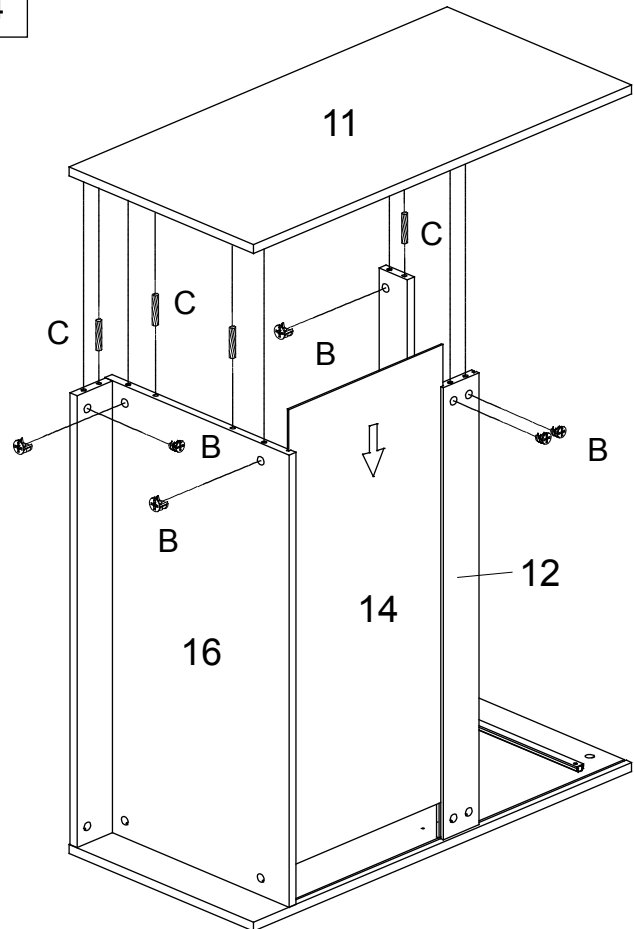
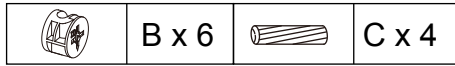
STEP 10




STEP 11

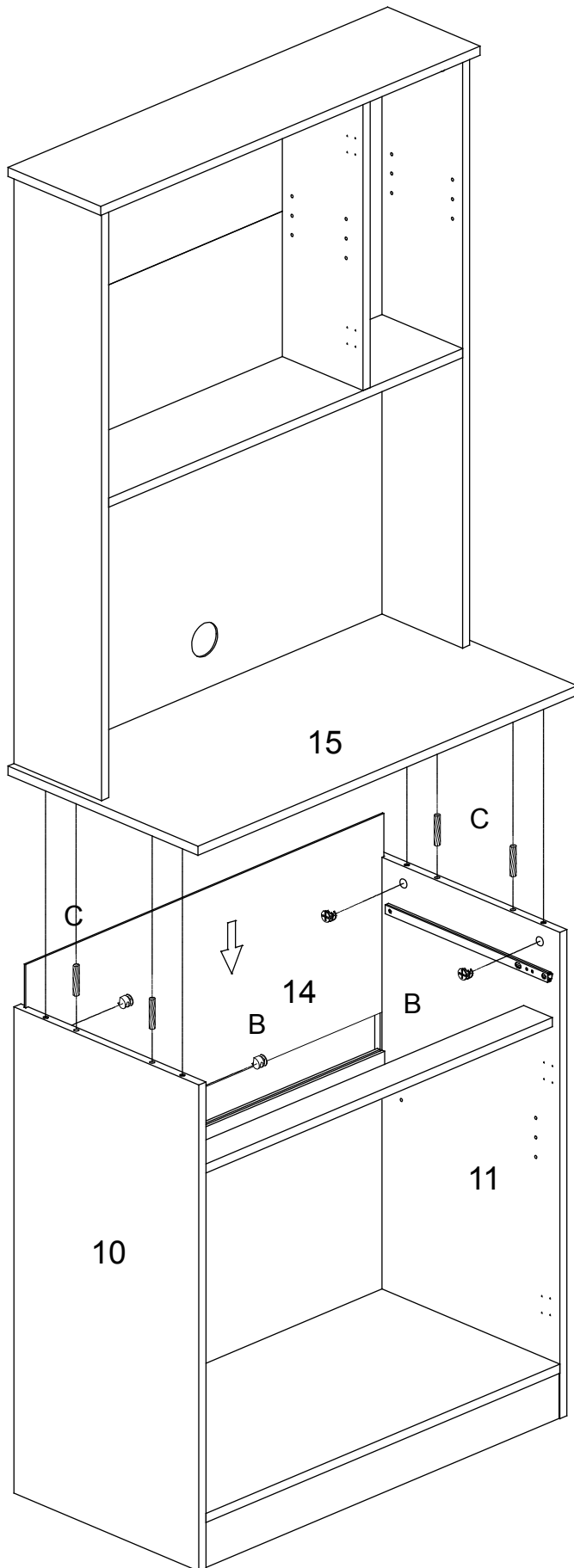


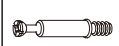
STEP 12

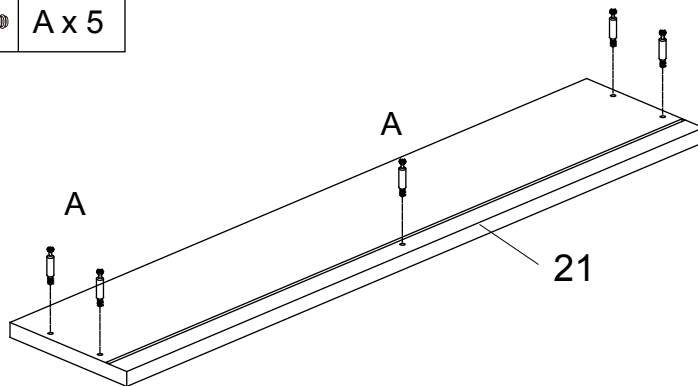


STEP 13

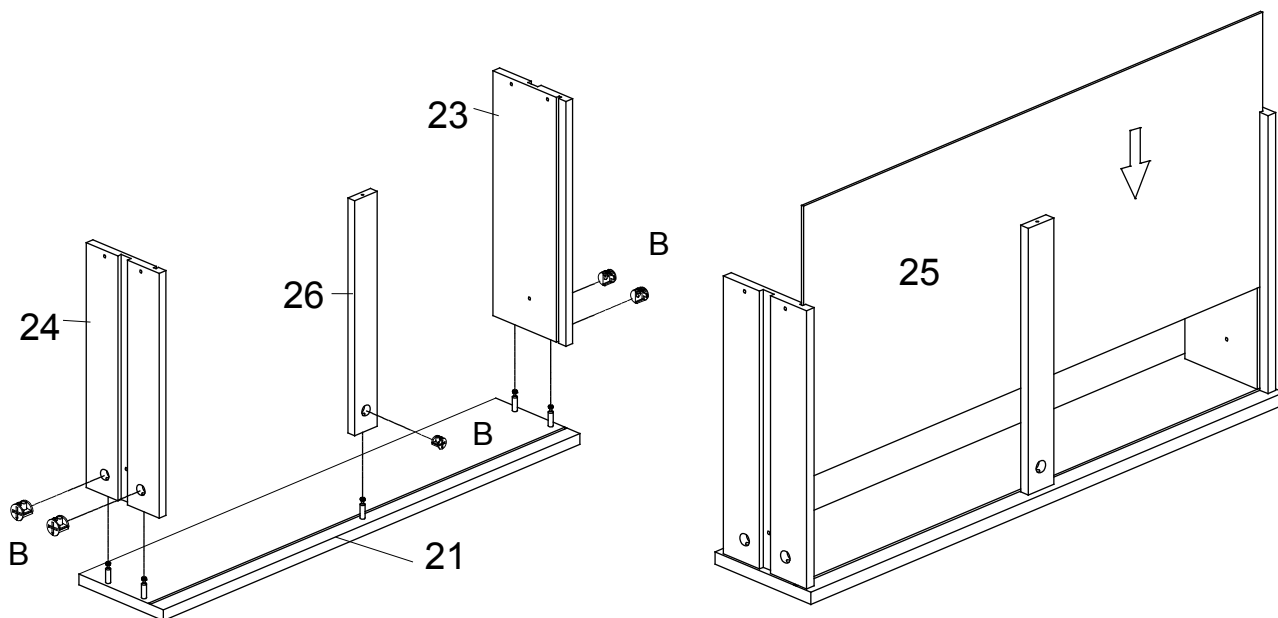
	B x 4		C x 4
---	-------	---	-------



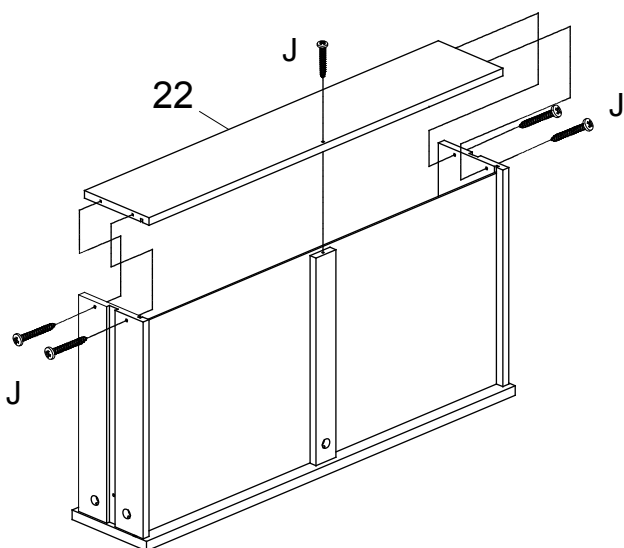
STEP 14  A x 5



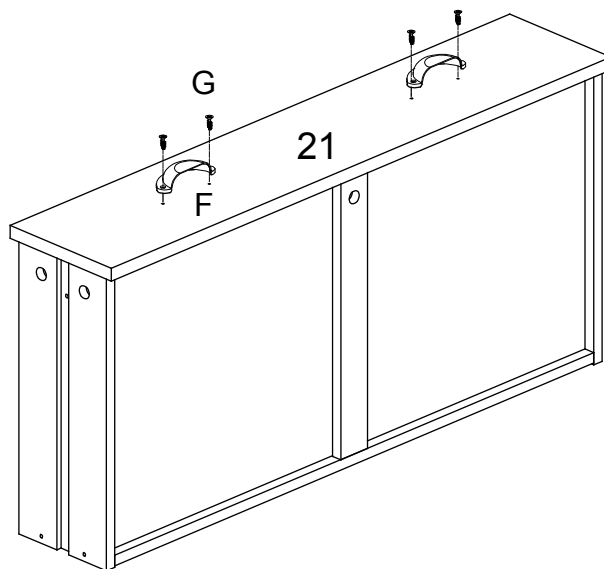
STEP 15  B x 5



STEP 16  J x 5



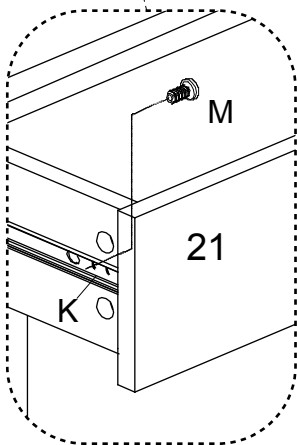
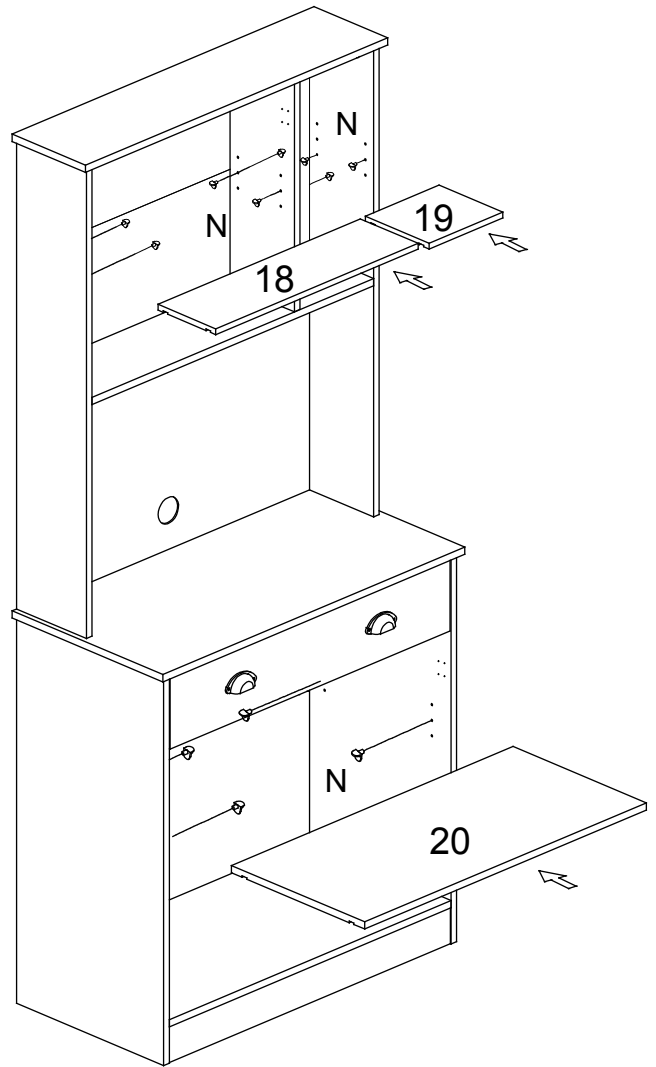
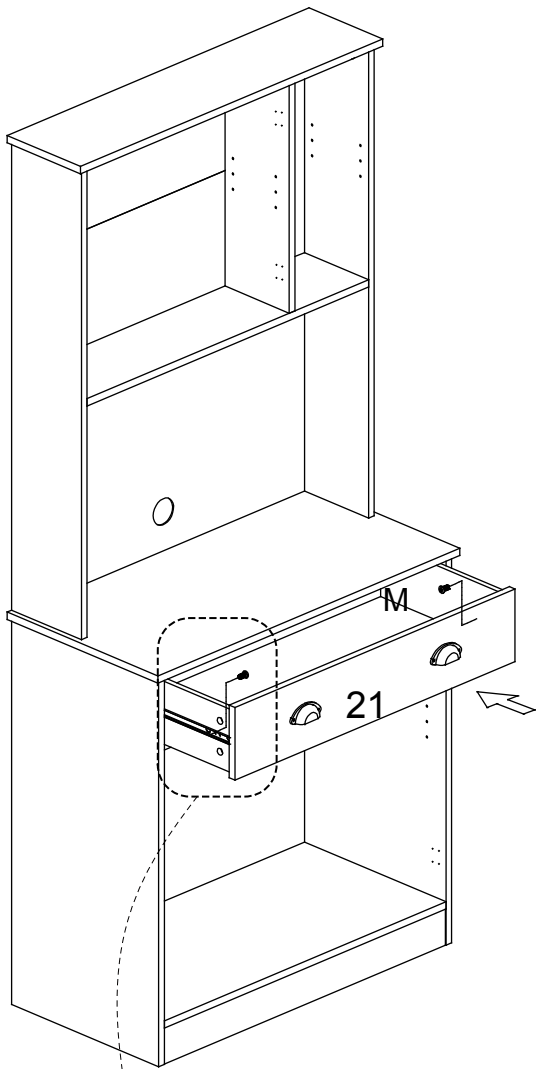
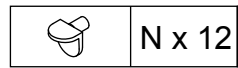
STEP 17  F x 2  G x 4



STEP 18

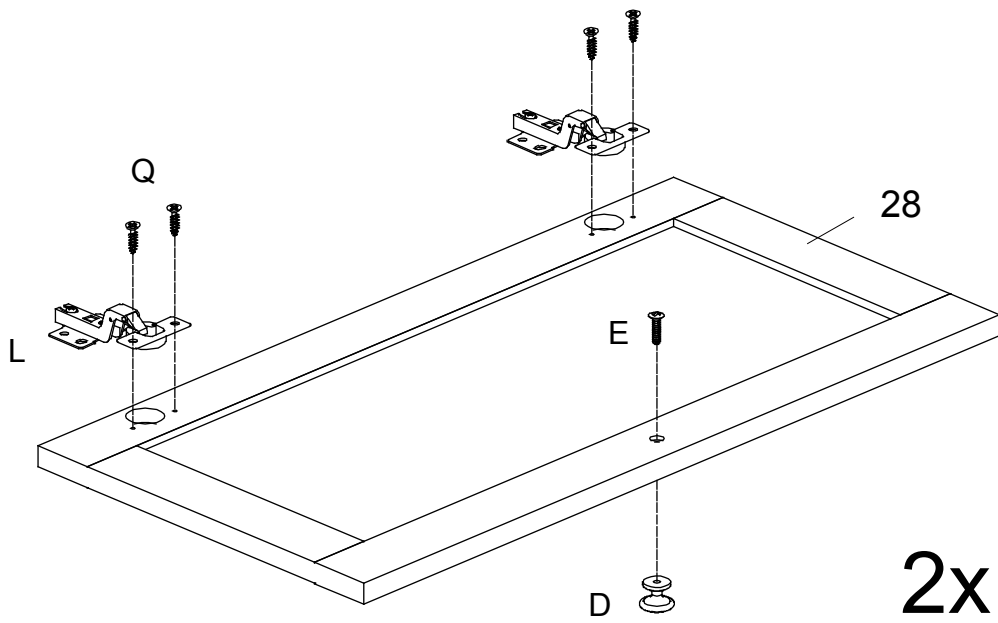
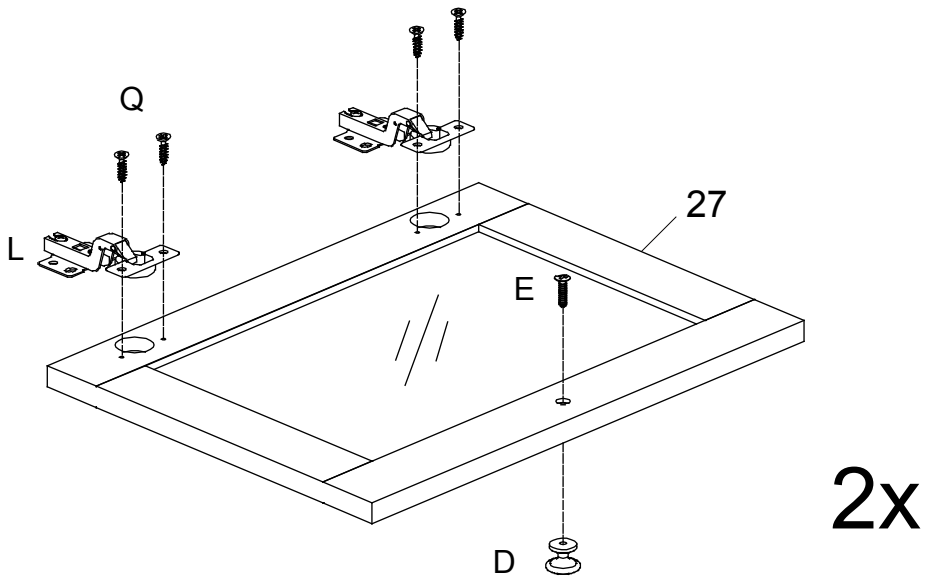


STEP 19





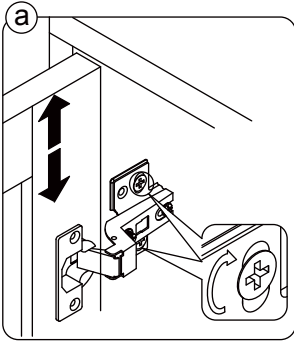
STEP 20

	D x 4		E x 4		Q x 16		L x 8
--	-------	--	-------	--	--------	--	-------

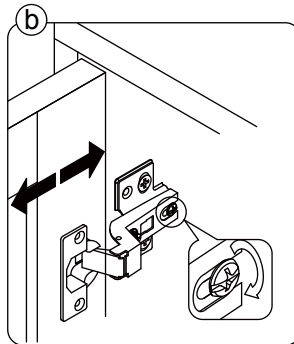


STEP 21

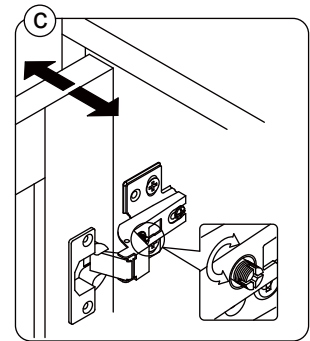
	Q x32		R x 4
---	-------	--	-------



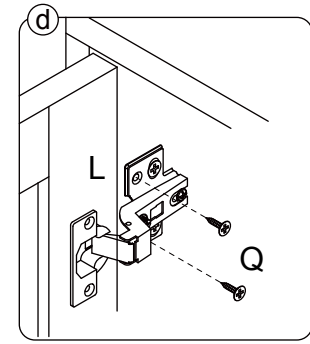
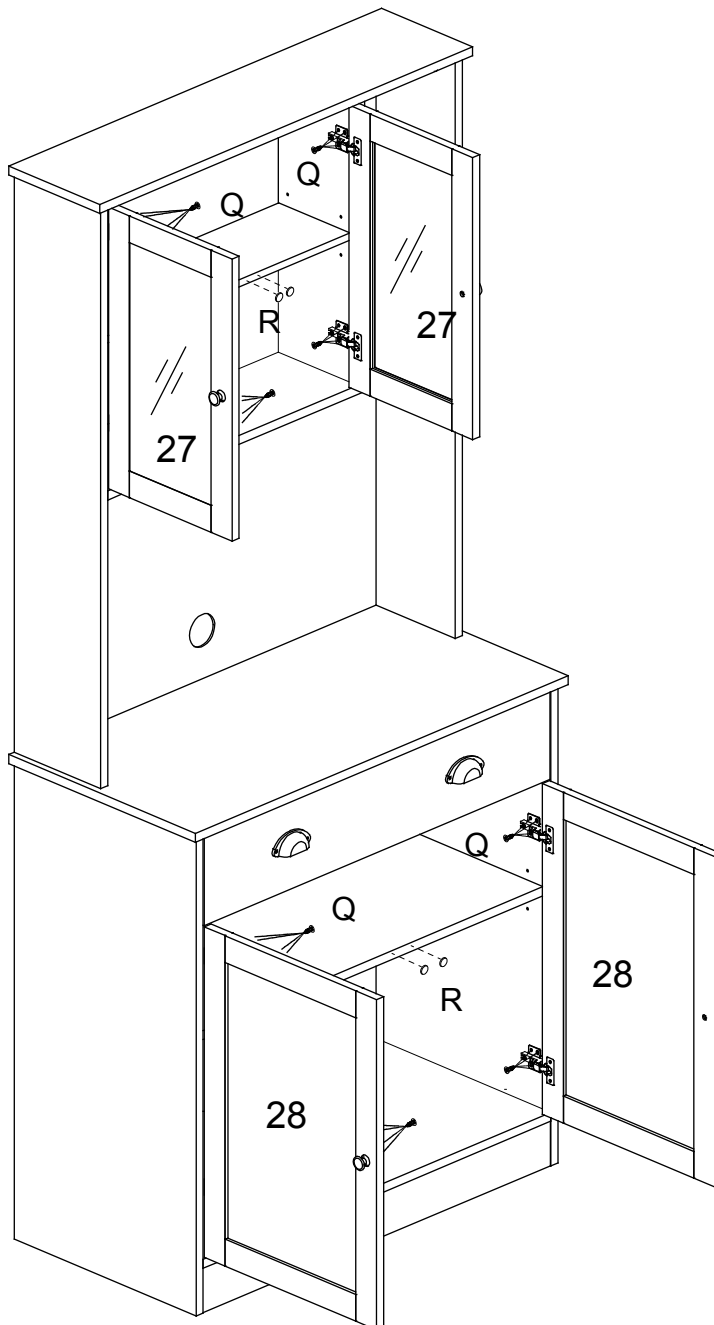
If you want to adjust the height of door to align it horizontally, please try the step a to let the door move up and down.





If you want to adjust the distance between the doors, please try the step b to let the door move right and left.

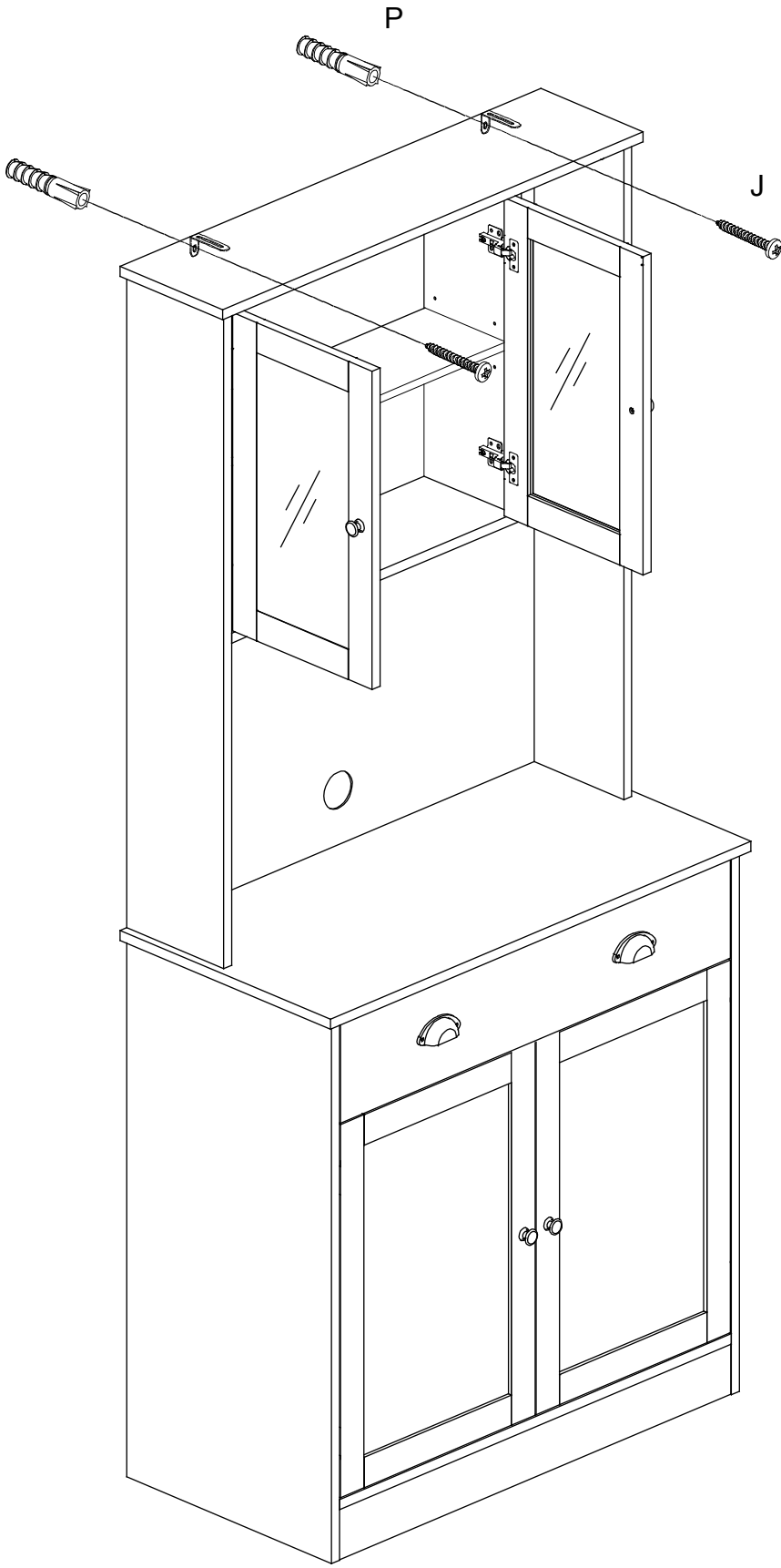


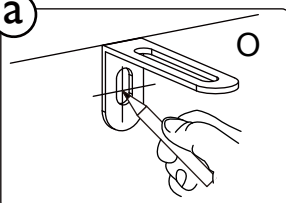
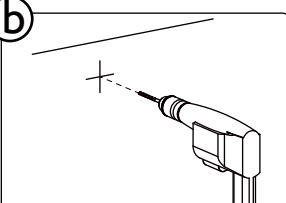
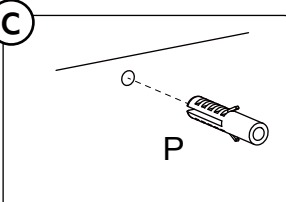
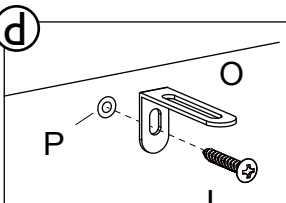
If you want to adjust the relative depth of the door, please try the step c to let the move door back and forth.



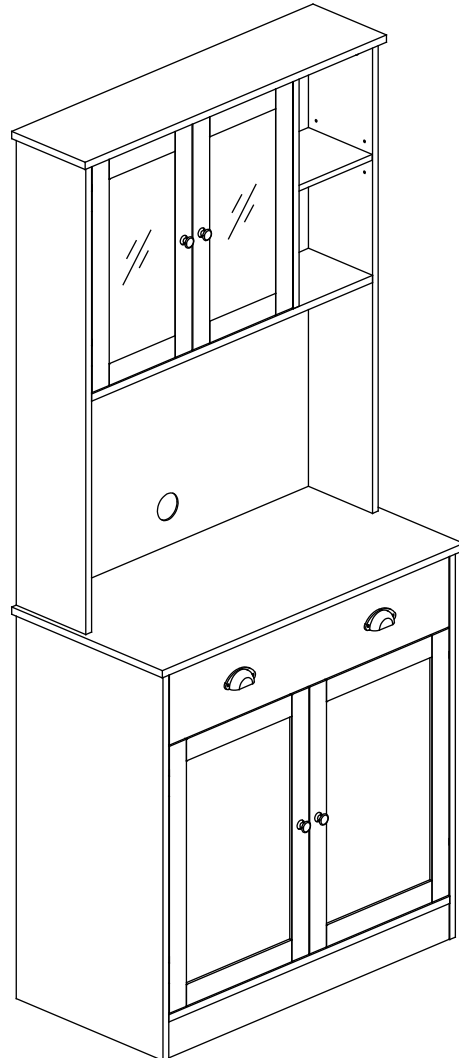
STEP 22

	J x 2		P x 2
--	-------	--	-------



- a** 
- b** 
- c** 
- d** 

ENJOY YOUR PRODUCT!



WARNING

Manufacturer and seller expressly disclaim any and all liability for personal injury, property damage or loss, whether direct, indirect, or incidental, resulting from the incorrect attachment, improper use, inadequate maintenance, or neglect of this product.