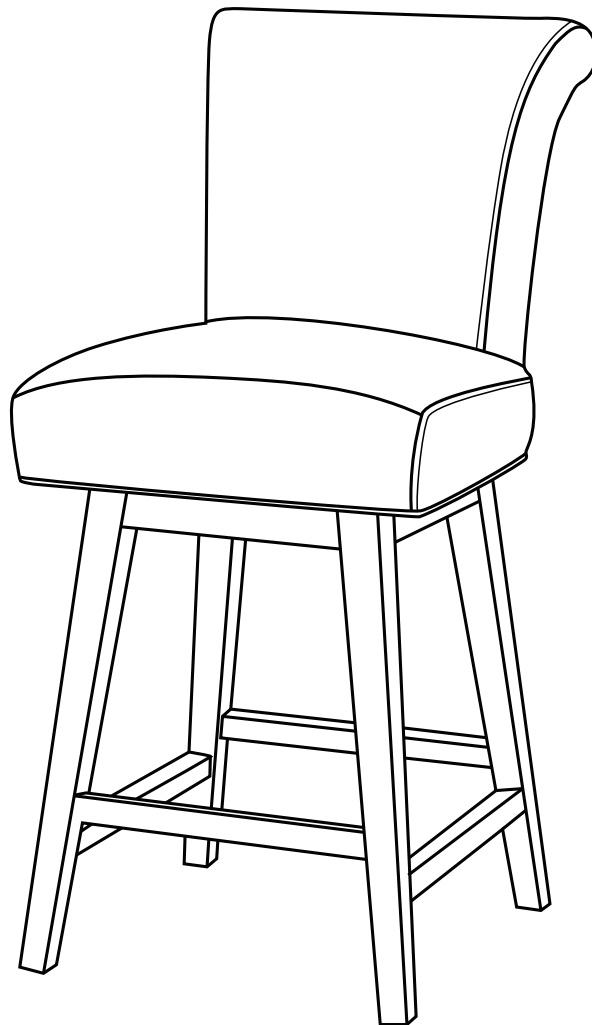


Assembly Manual

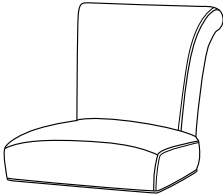


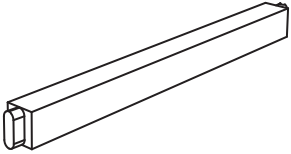
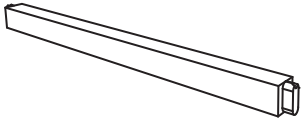
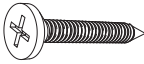

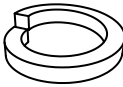
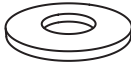


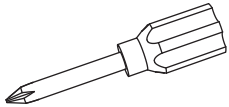
Swivel Bar & Counter Stool



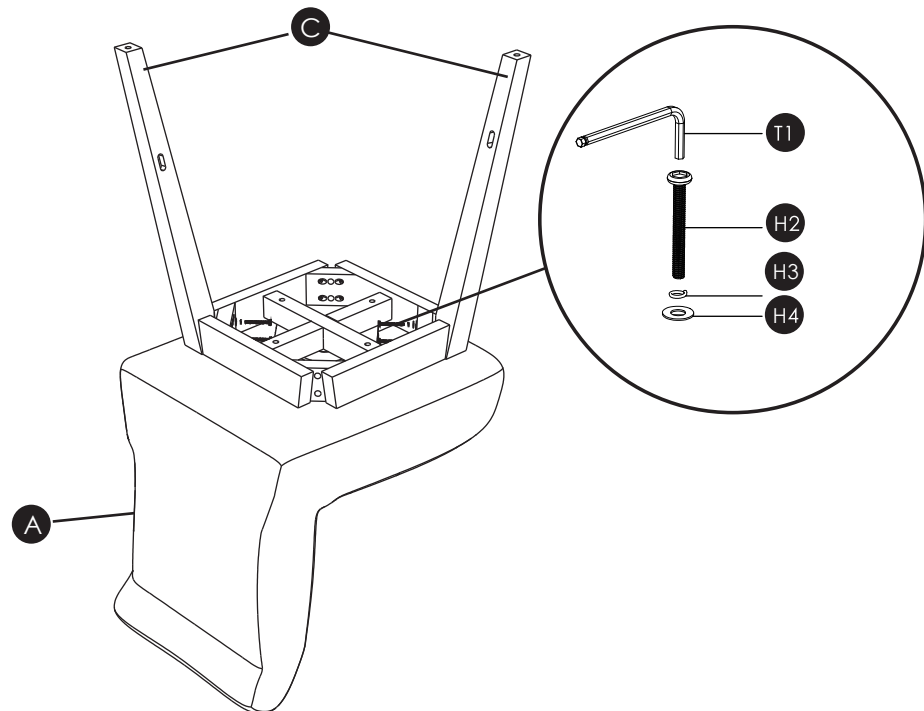
▲ CAUTION

THIS ASSEMBLY MANUAL CONTAINS IMPORTANT SAFETY INFORMATION.

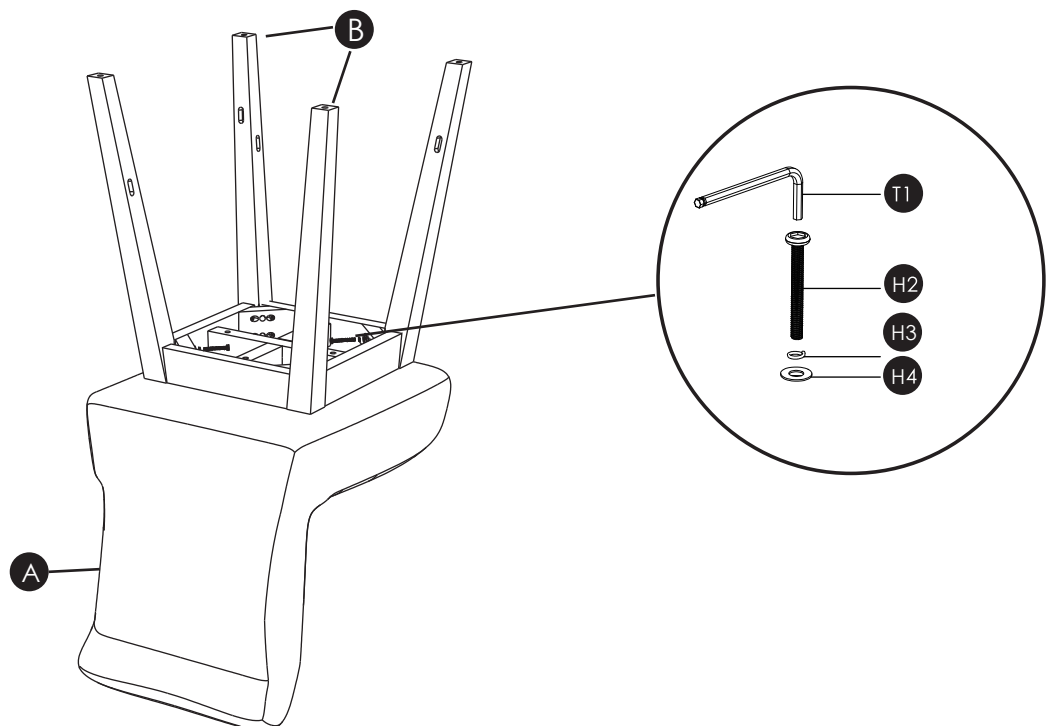
PLEASE READ AND KEEP FOR FUTURE REFERENCE.

<p>AX 1</p> 	<p>B X 2</p> 	<p>C X 2</p> 
<p>DX 2</p> 	<p>E x 2</p> 	<p>H1 x 8</p> 
<p>H2 x 8</p> 	<p>H3 x 8</p> 	<p>H4 x 8</p> 
<p>H5 x 4</p> 	<p>T1 x 1</p> 	 <p>Not Included</p>

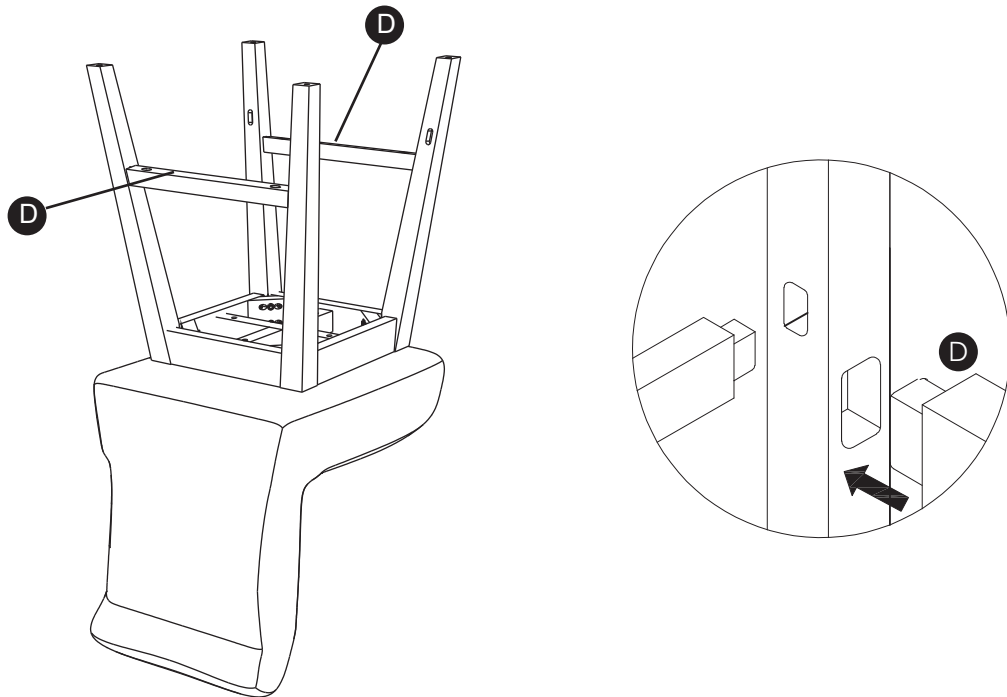
- 1 Attach Legs (C) to Seat (A), using bolts (H2), lock washers (H3), flat washers (H4), and allen wrench (T1).
Note: Do not fully tighten yet.



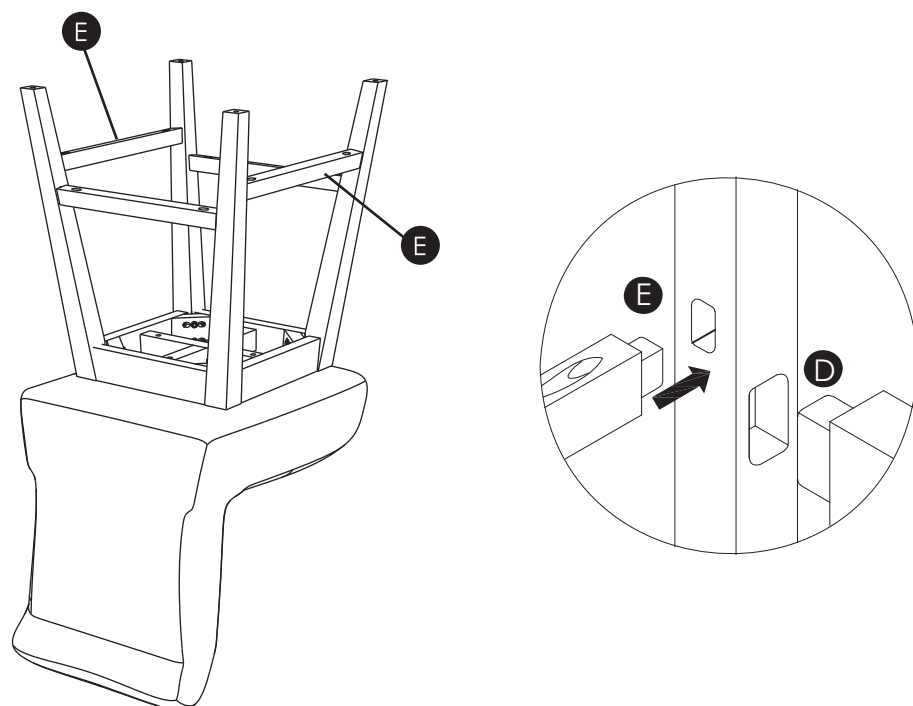
- 2 Attach Legs (B) to Seat (A), using bolts (H2), lock washers (H3), flat washers (H4), and allen wrench (T1).
Note: Do not fully tighten yet.



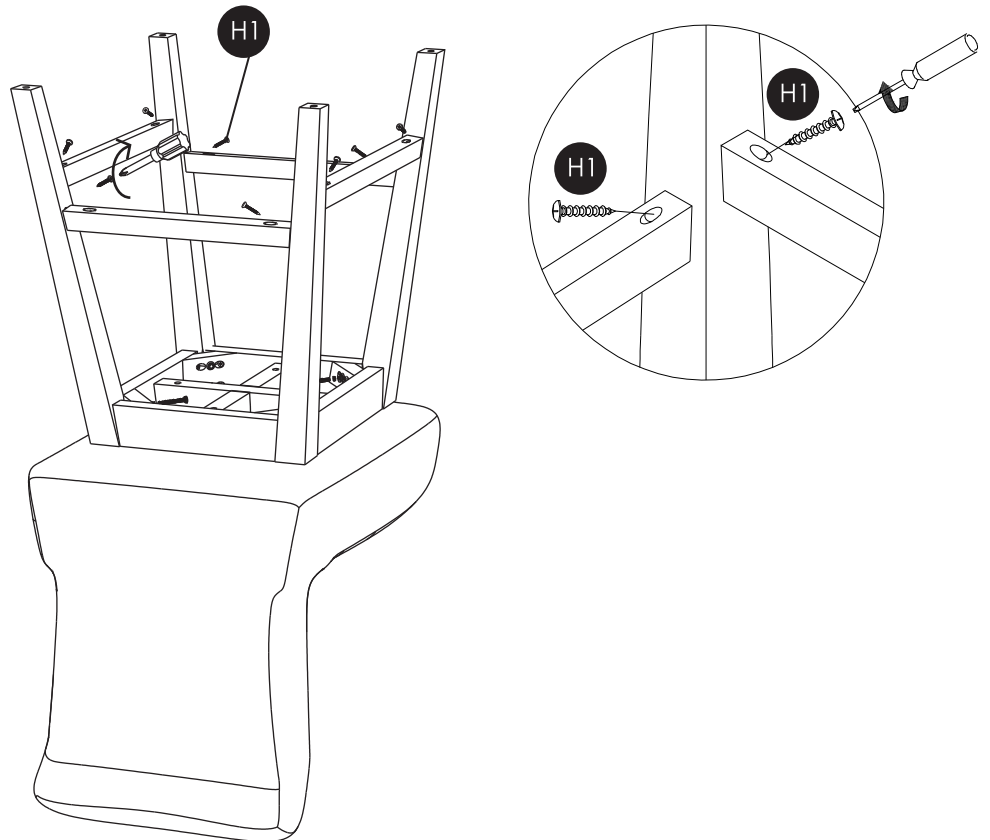
- 3** Insert shorter side rails (D).
Note: You may need to apply a little pressure to enable the rails to slot into position.



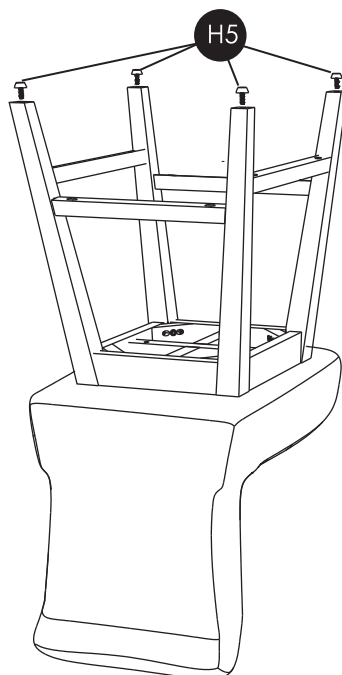
- 4** Insert longer side rails (E).
Note: You may need to apply a little pressure to enable the rails to slot into position.



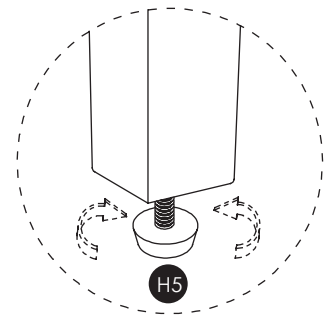
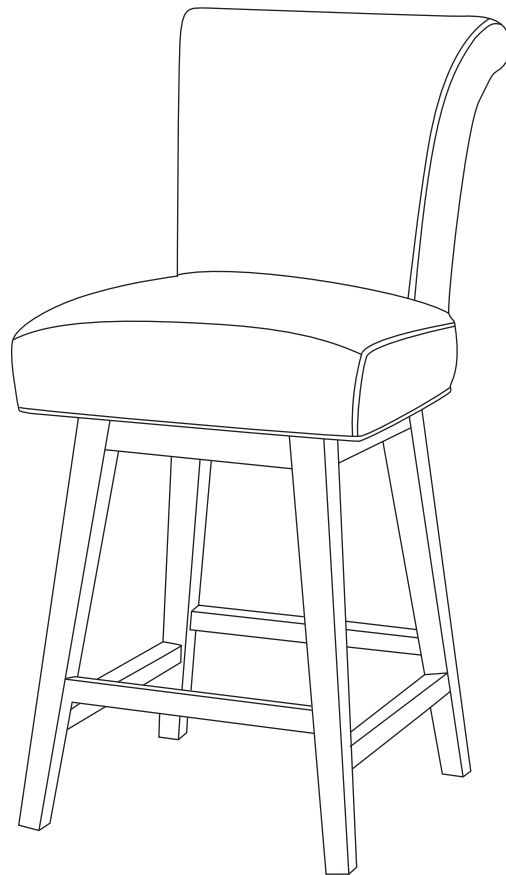
- 5** Attach the rails using screws (H1).
Note: Do not fully tighten yet.



- 6** Attach foot levelers (H5) to Legs (B & C).

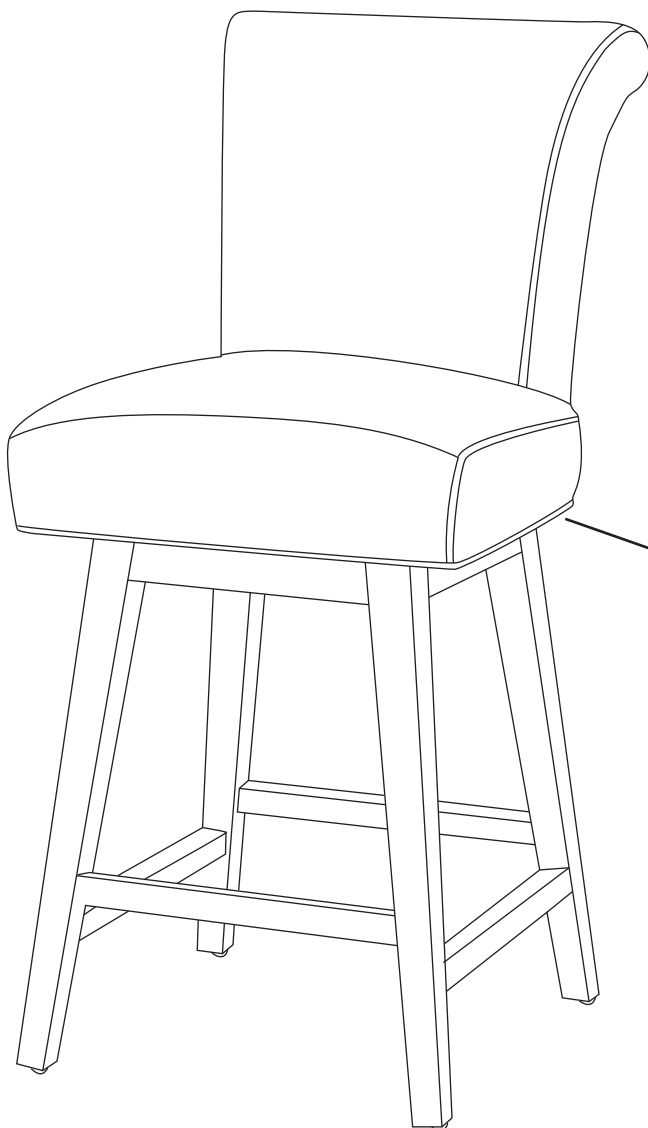


- 7** Turn assembled chair upright and place on a flat surface. Push legs up or down as necessary to level. Once level, tighten all bolts and screws.
Note: Each leg has an adjustable foot leveler to help level your chair.



Foot levelers

8 Assembly complete. Enjoy.



CAUTION: PINCH POINT.
Please keep hands clear during swivel.