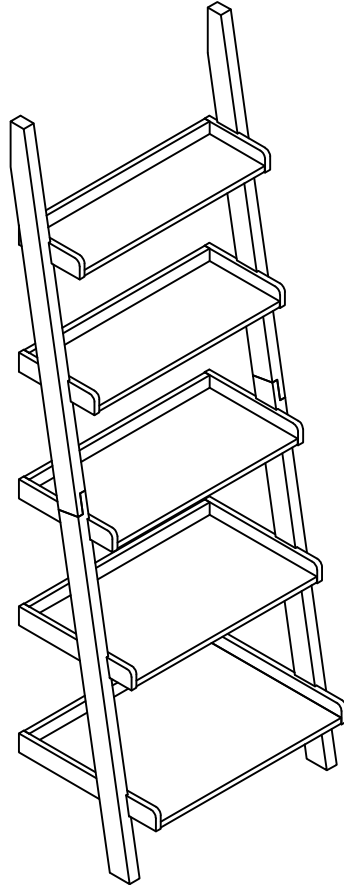


ASSEMBLY INSTRUCTIONS



ASSEMBLY INSTRUCTIONS

ASSEMBLY TIPS:

1. Remove hardware from box and sort by size.
2. Please check to see that all hardware and parts are present prior to start of assembly.
3. Please follow attached instructions in the same sequence as numbered to assure fast & easy assembly.



Warning !!

1. Don't attempt to repair or modify parts that are broken or defective. Please contact the store immediately.
2. This product is for home use only and not intended for commercial establishment.



ASSEMBLY TIME

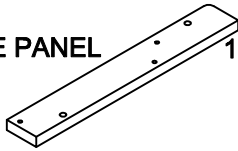
30 MINUTES

PARTS IDENTIFICATION

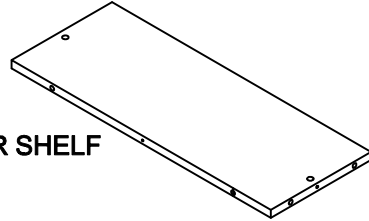
(A) RIGHT LEG-UPPER	1 PC	(G) UPPER RIGHT SIDE PANEL	1 PC
(B) LEFT LEG-UPPER	1 PC	(H) MID-UPPER LEFT SIDE PANEL	1 PC
(C) RIGHT LEG-LOWER	1 PC	(I) MID-UPPER RIGHT SIDE PANEL	1 PC
(D) LEFT LEG-LOWER	1 PC	(J) MID LEFT SIDE PANEL	1 PC
(E) BACK BAFFLE	5 PCS	(K) MID RIGHT SIDE PANEL	1 PC
(F) UPPER LEFT SIDE PANEL	1 PC	(L) MID-LOWER LEFT SIDE PANEL	1 PC

PARTS IDENTIFICATION

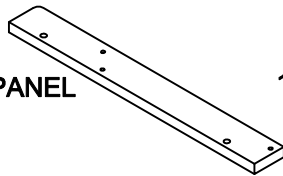
(M) MID-LOWER RIGHT SIDE PANEL 1 PC



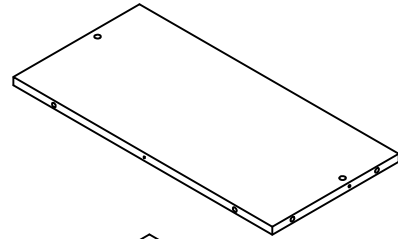
(Q) MID-UPPER SHELF 1 PC



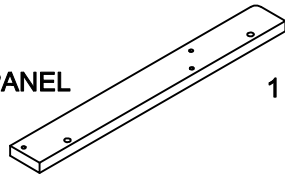
(N) LOWER LEFT SIDE PANEL 1 PC



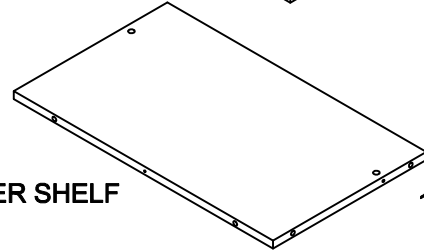
(R) MID SHELF 1 PC



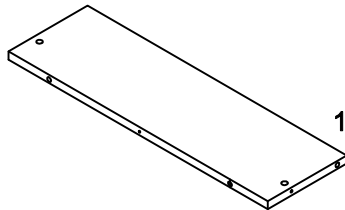
(O) LOWER RIGHT SIDE PANEL 1 PC



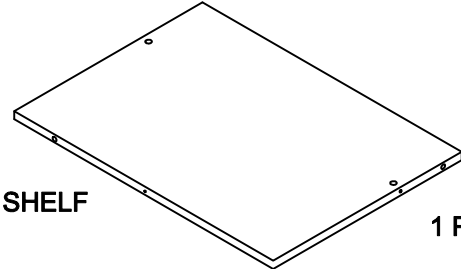
(S) MID-LOWER SHELF 1 PC




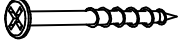





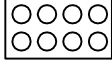
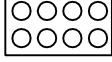
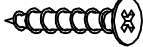


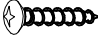

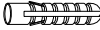

(P) UPPER SHELF 1 PC



(T) LOWER SHELF 1 PC

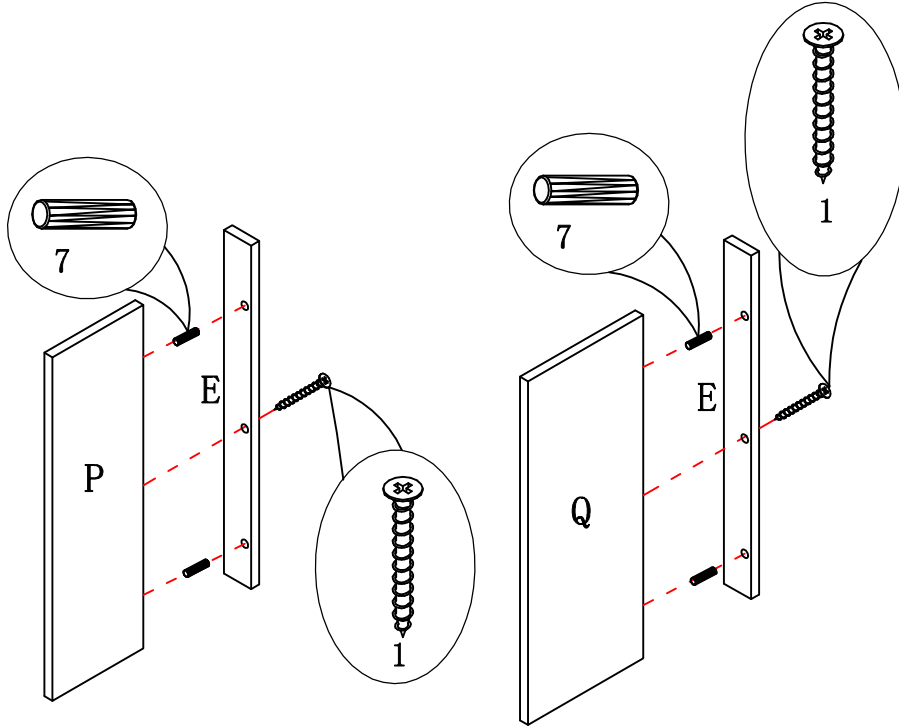


HARDWARE IDENTIFICATION

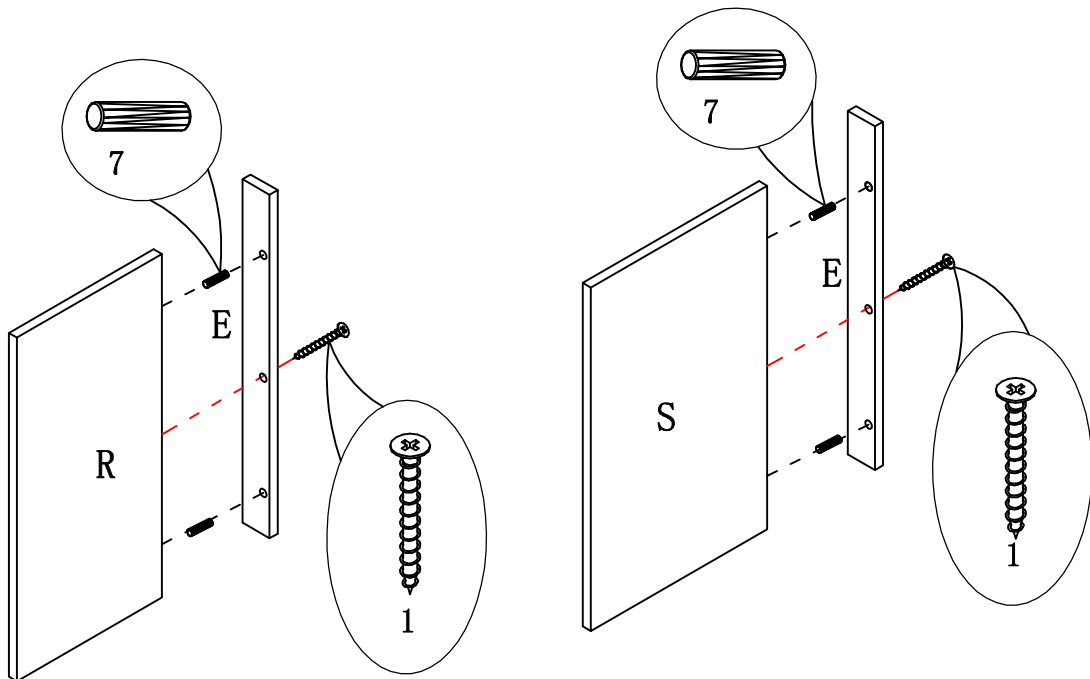
1	SELF-TAPPING SCREW	$\varnothing 4 \times 35 \text{mm}$		15pcs
2	CHAMFER SELF-TAPPING SCREW	$\varnothing 4.2 \times 65 \text{mm}$		10pcs
3	SMALL FLAT SCREW	$\varnothing 6 \times 12 \text{mm}$		8pcs
4	LARGE FLAT SCREW	$\varnothing 6 \times 20 \text{mm}$		4pcs
5	CAP SCREW	M6 \times 11mm		4pcs
6	CONNECTION PLATE	170 \times 24 \times 3mm		2pcs
7	WOODEN DOWEL	$\varnothing 8 \times 25 \text{mm}$		28pcs
8	LARGE STICKER	$\varnothing 22 \text{mm}$		8pcs
9	SMALL STICKER	$\varnothing 13 \text{mm}$		30pcs
10	SELF-TAPPING SCREW	$\varnothing 4 \times 30 \text{mm}$		10pcs
11	THE RESTRAINT STRAP	197 \times 5 \times 1mm		1pc
12	BRACKET	12 \times 12 \times 1mm		2pcs
13	SMALL SCREW	$\varnothing 4 \times 25 \text{mm}$		1pc
14	WALL SCREW	$\varnothing 5 \times 40 \text{mm}$		1pc
15	PLASTIC ANCHOR	$\varnothing 8 \times 40 \text{mm}$		1pc
16	GLUE			1pc

ASSEMBLY INSTRUCTIONS

STEP 1

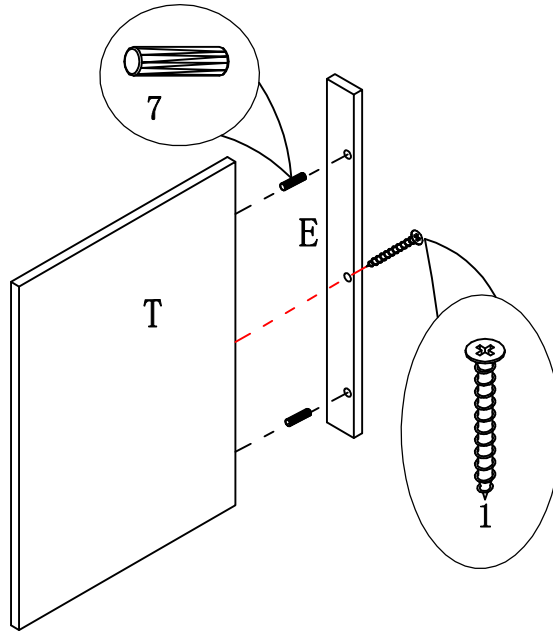


STEP 2

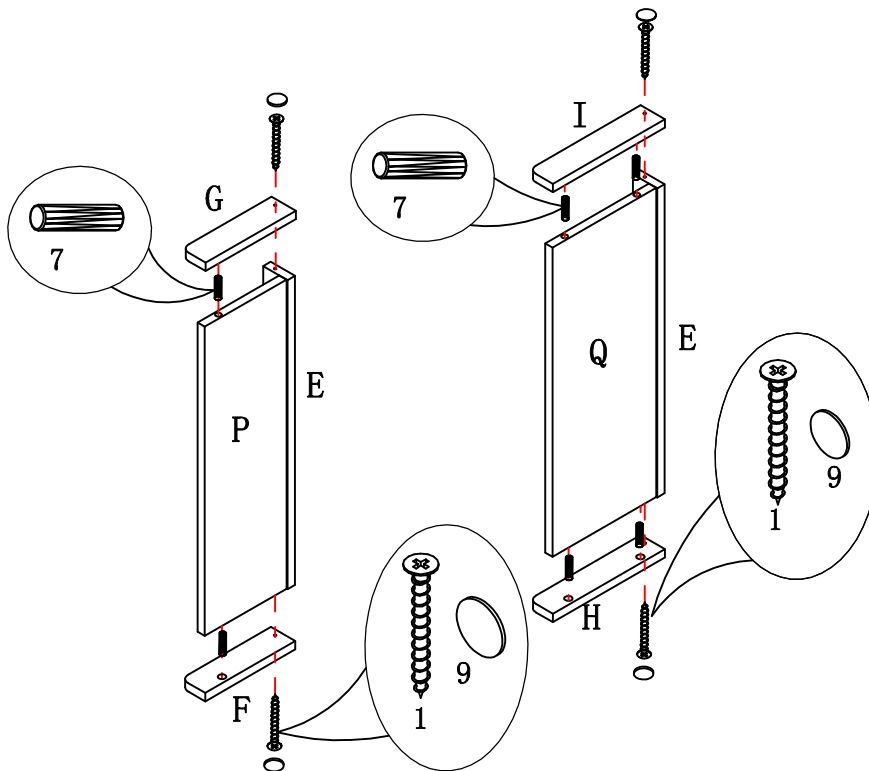


ASSEMBLY INSTRUCTIONS

STEP 3

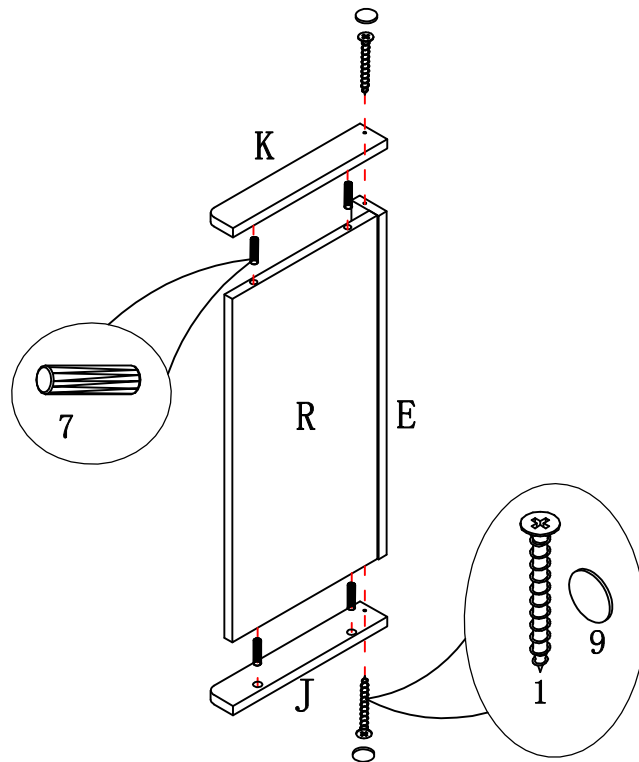


STEP 4

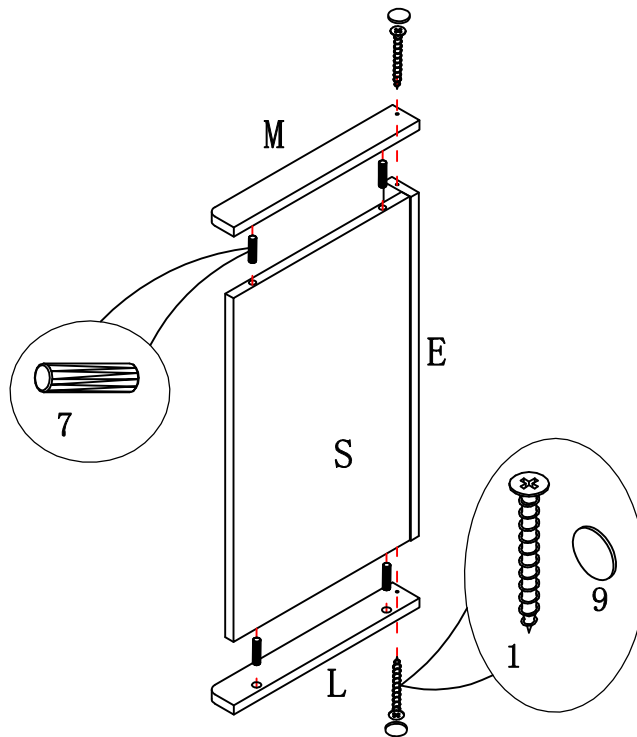


ASSEMBLY INSTRUCTIONS

STEP 5

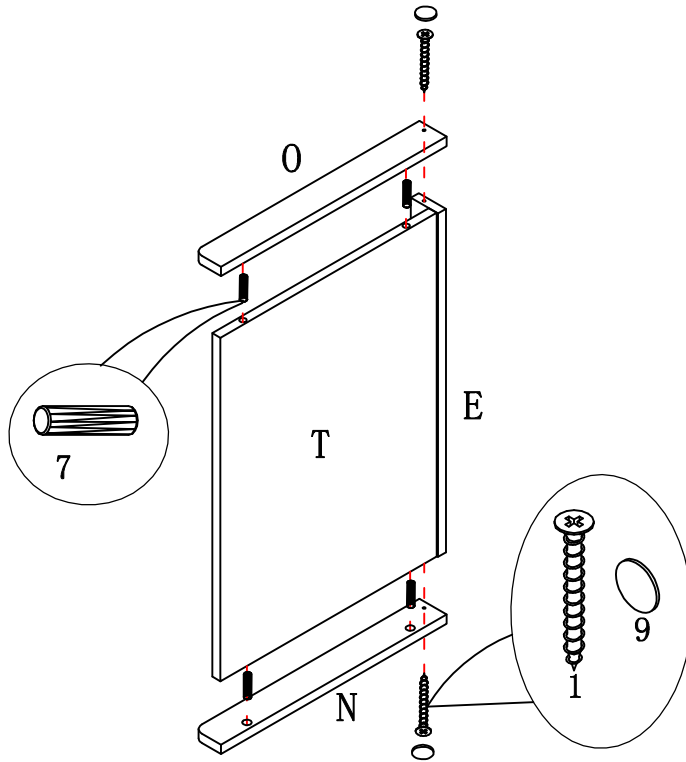


STEP 6

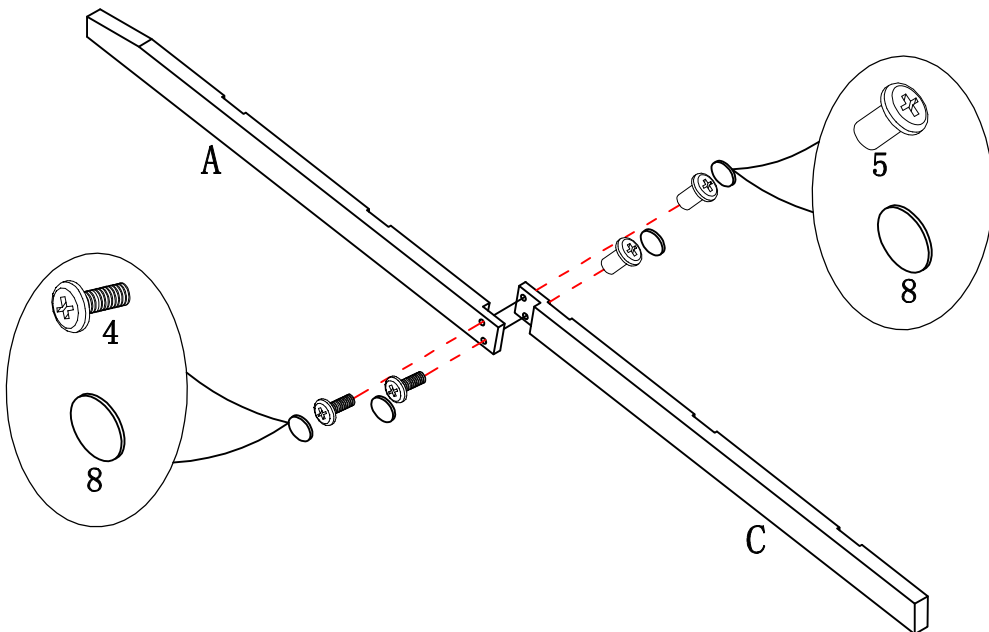


ASSEMBLY INSTRUCTIONS

STEP 7

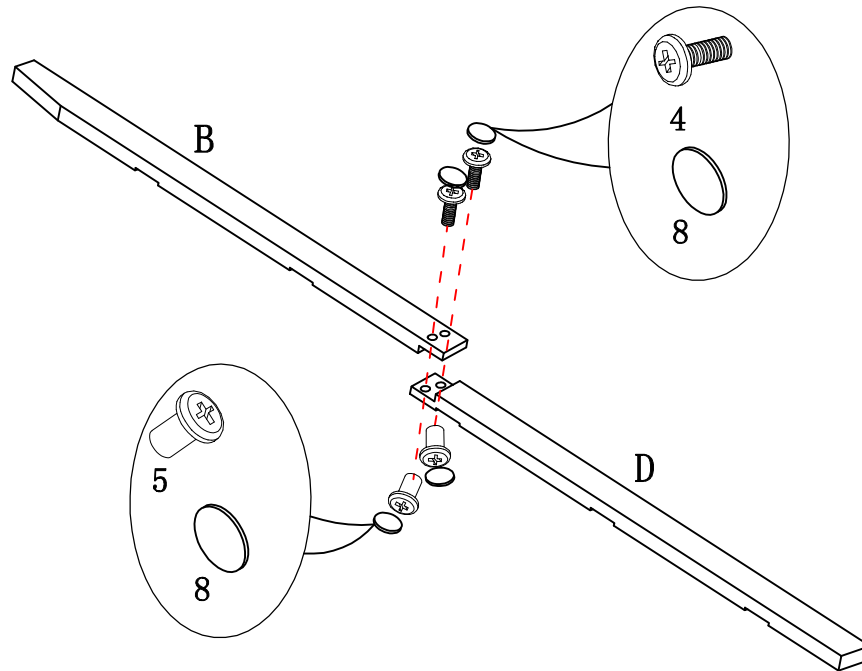


STEP 8

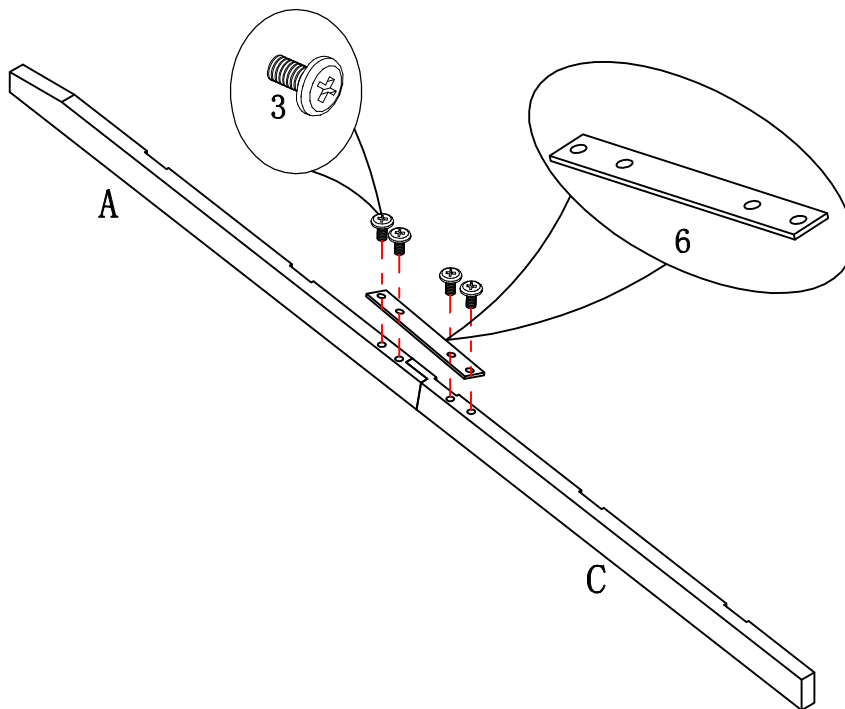


ASSEMBLY INSTRUCTIONS

STEP 9

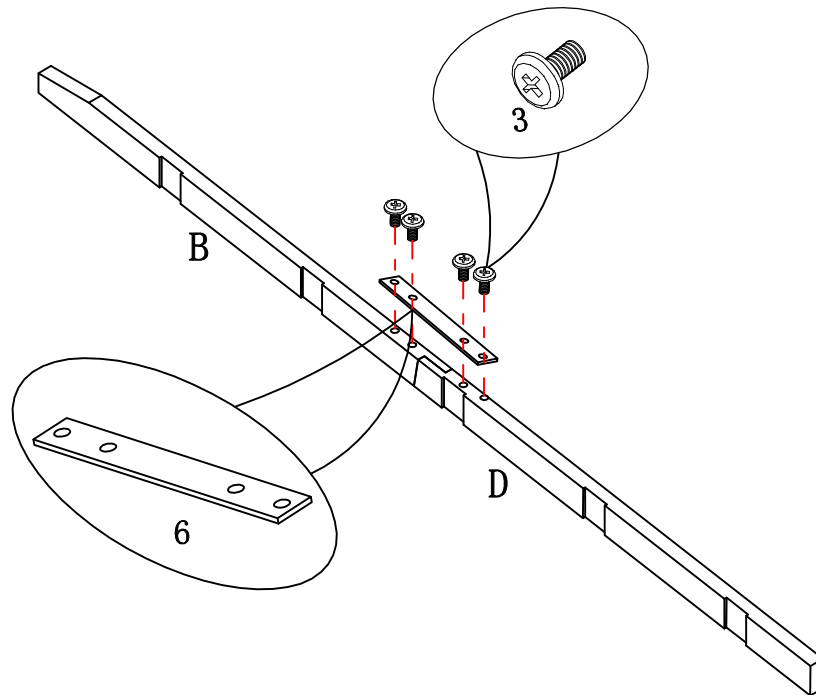


STEP 10

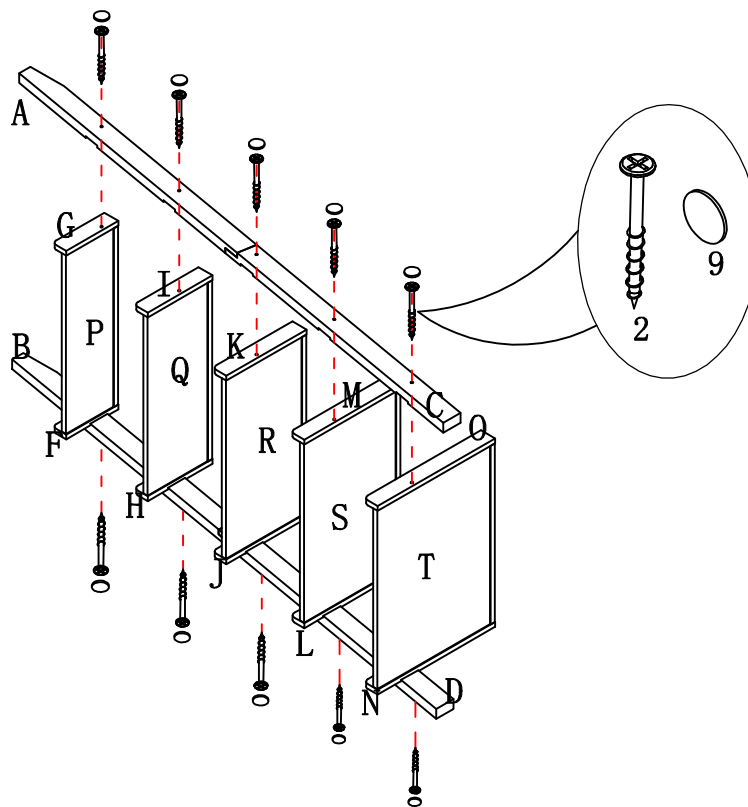


ASSEMBLY INSTRUCTIONS

STEP 11

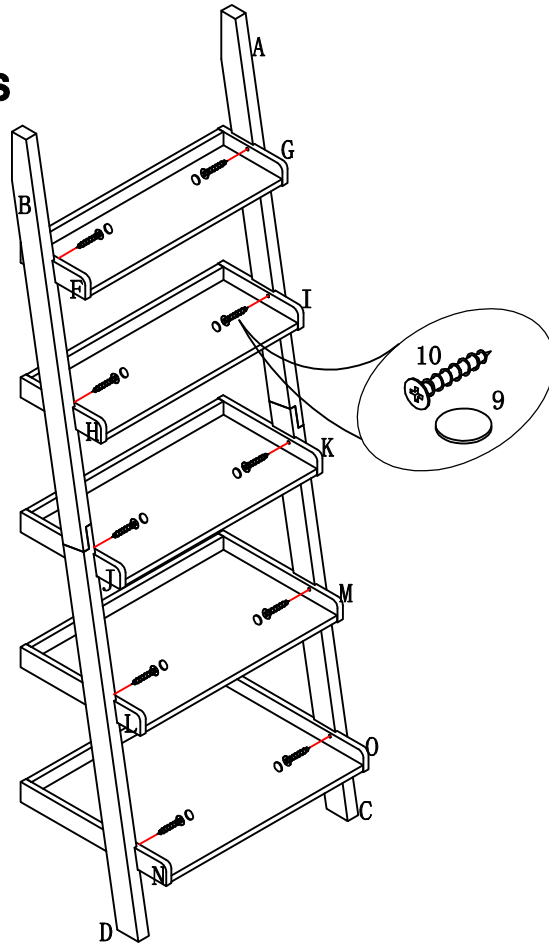


STEP 12

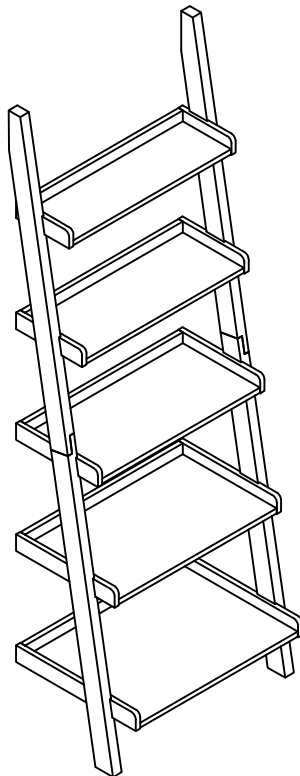


ASSEMBLY INSTRUCTIONS

STEP 13



STEP 14



ANTI-TIPPING INSTALLMENT INSTRUCTIONS

FURNITURE TIPPING RESTRAINT

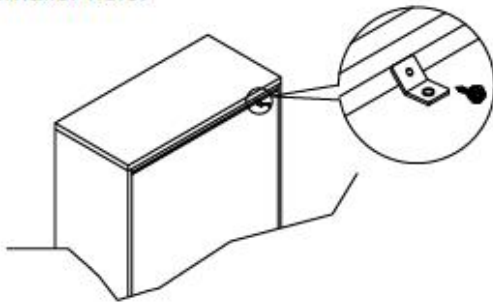
WARNING

Injury may result from tipping furniture.
This restraint may protect against tipping furniture.
Do not allow children to climb on furniture.
This restraint is not a substitute for proper adult supervision.
Failure to detach this restraint before moving the furniture may result in injury and damage.

This tip restraint must be attached to a wall stud using long screw enclosed.

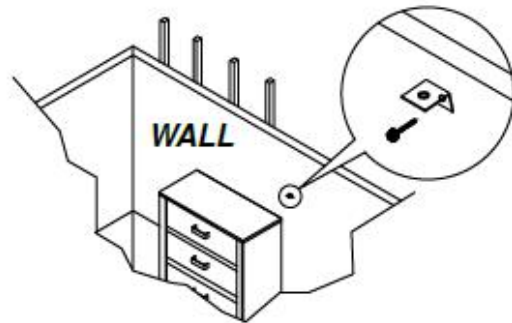
STEP 1

Attach a bracket securely to the back top rail to the furniture using short screw provided, through the smaller hole.



STEP 2

Locate the other bracket on the wall over a wall stud and two inches below the mounting bracket secured to the back of the furniture. Attach the wall stud using the long screw provided, through the smaller hole.



STEP 3

Place the furniture into position so both mounting brackets are vertically in line. Lace the end of the restraint strap through the larger hole in each mounting bracket. Bring both ends together and slide the flat end through the locking and draw it until all slack is removed. Confirm that the strap is securely laced and locked.

