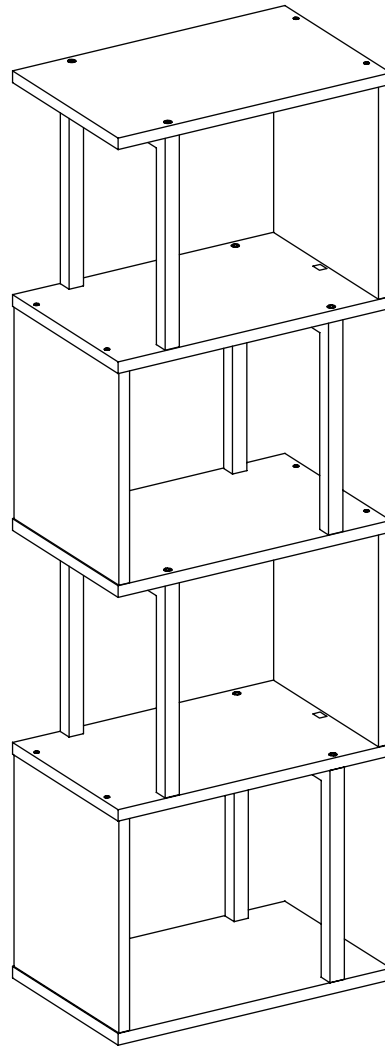
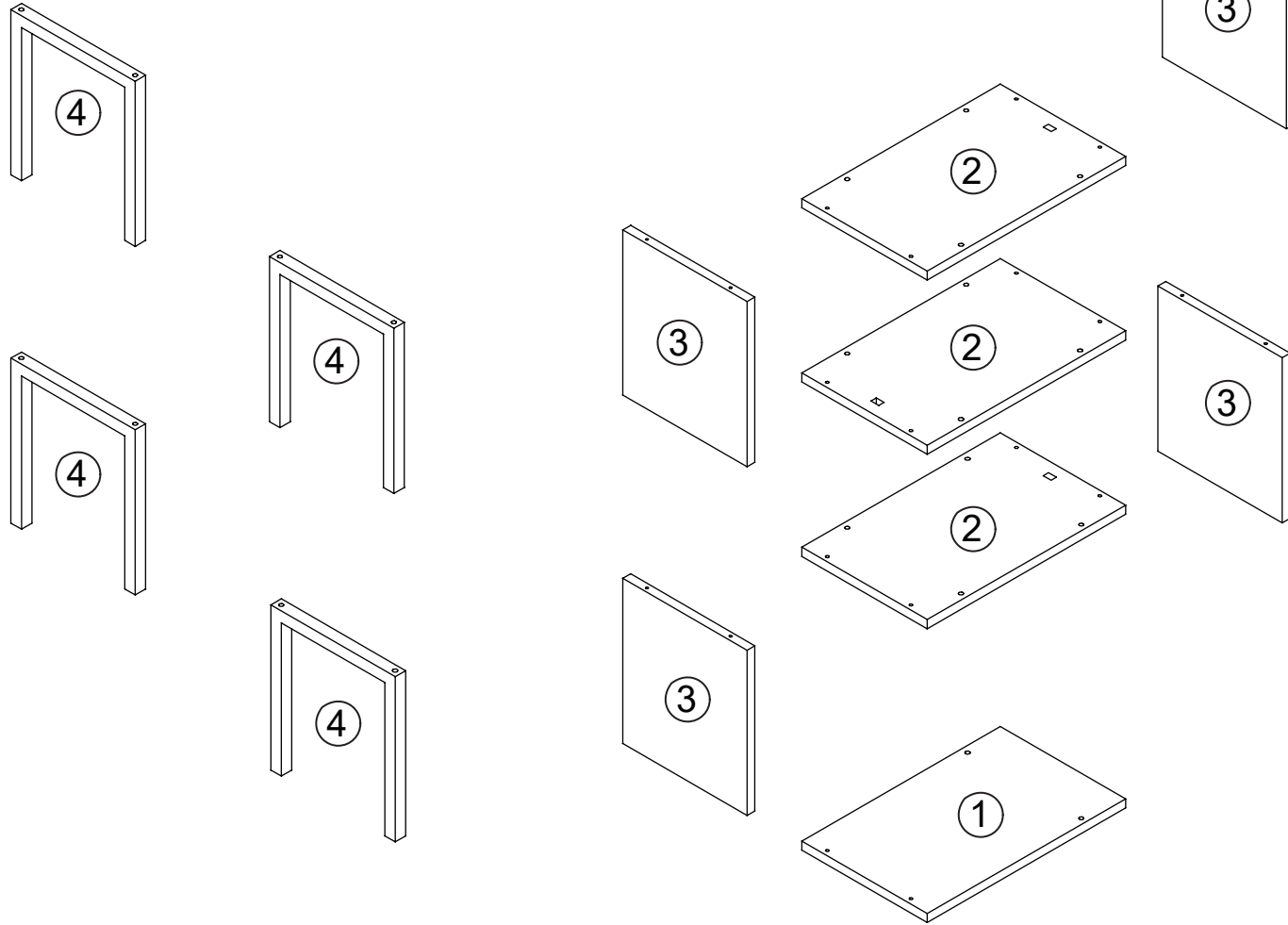






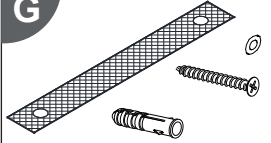



INSTRUCTION MANUAL



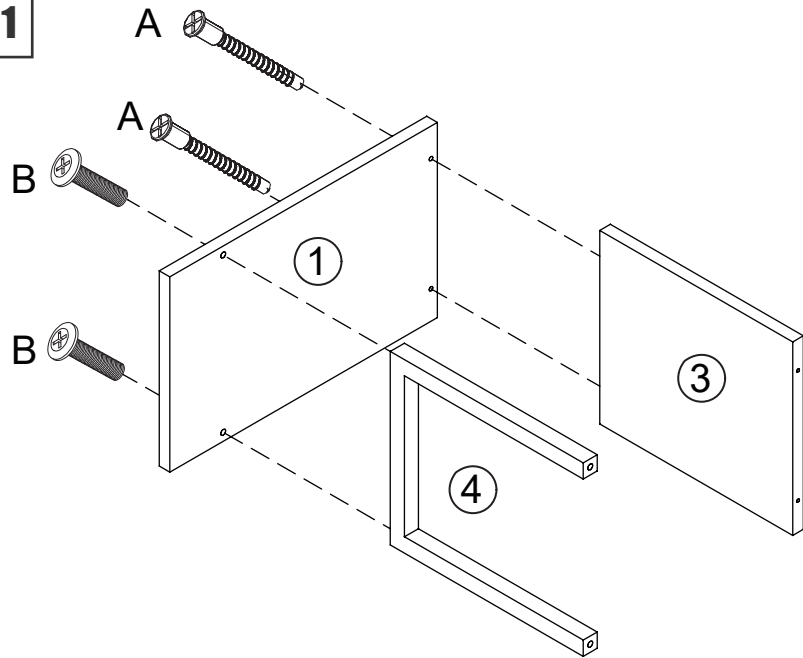
Please read the instructions completely before assembling. If you have any question, Please contact us.



- A** 5*40mm

 16+2 pcs
- B** 6*40mm

 16+2 pcs
- C**

 32+2 pcs
- D**

 6+1 pcs
- E**

 3+1 pcs
- F**

 1 set
- G**

 2 set
- H**

 1 pcs

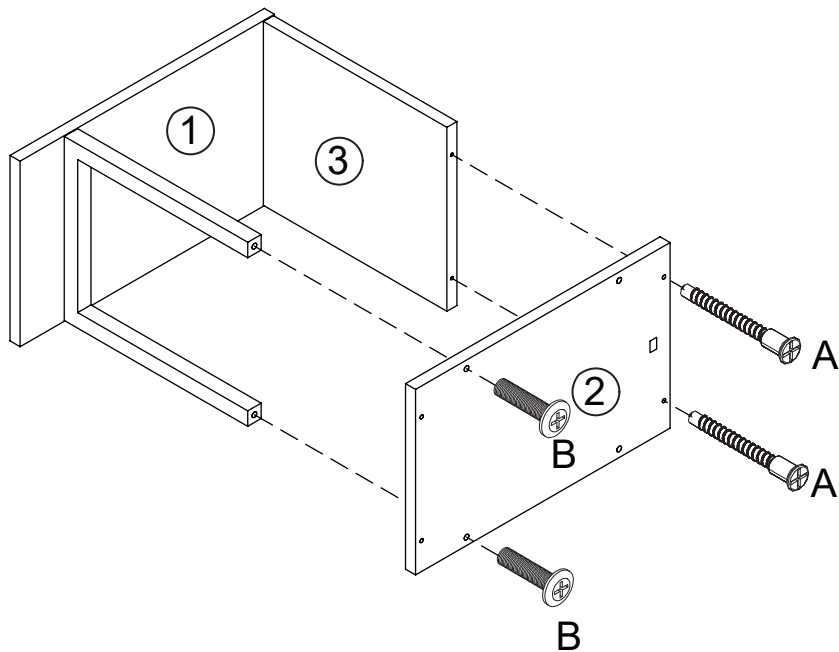
Assemble the furniture on empty carton, carpet, or rug to prevent scratches or damage.
 Make sure no parts are missing or damaged before assembly.

Step 1



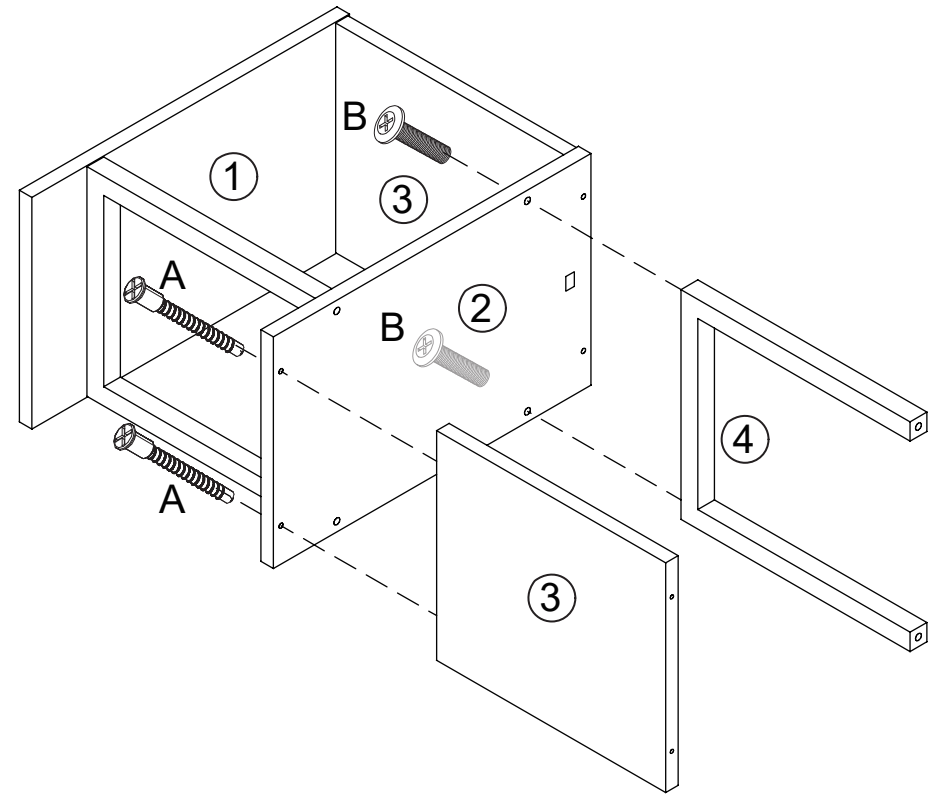
A=2
B=2

Step 2



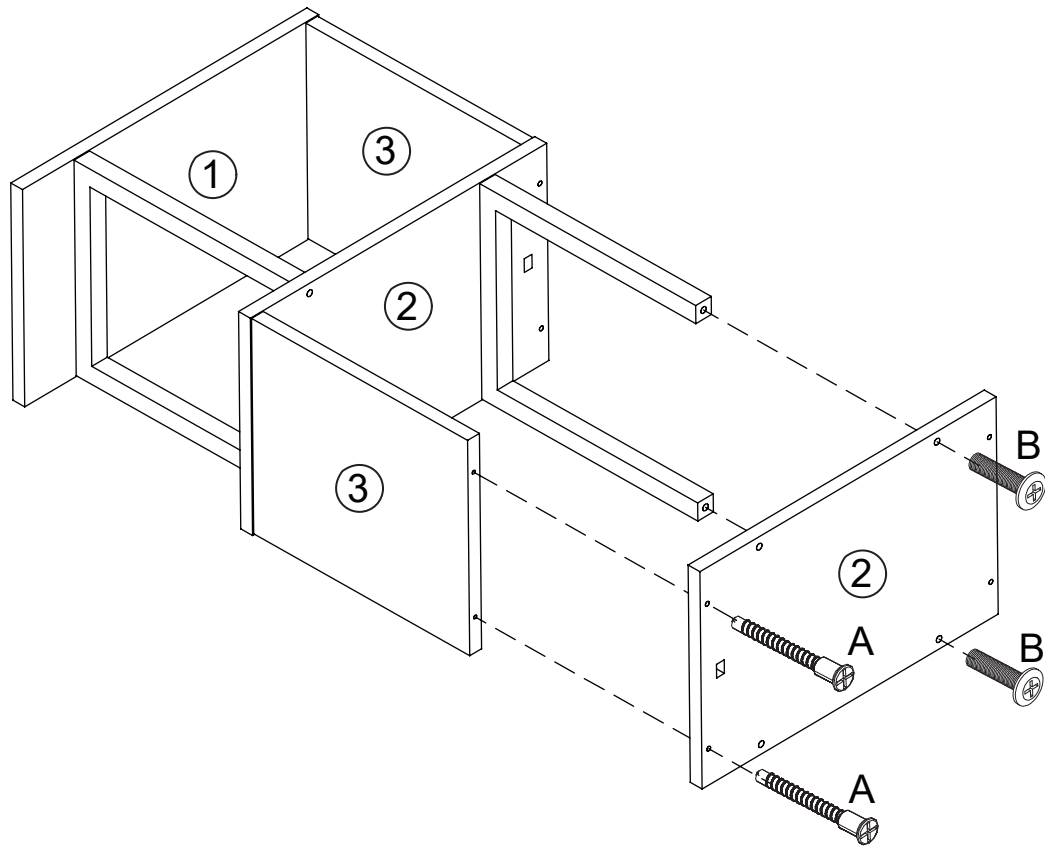
A=2
B=2

Step 3



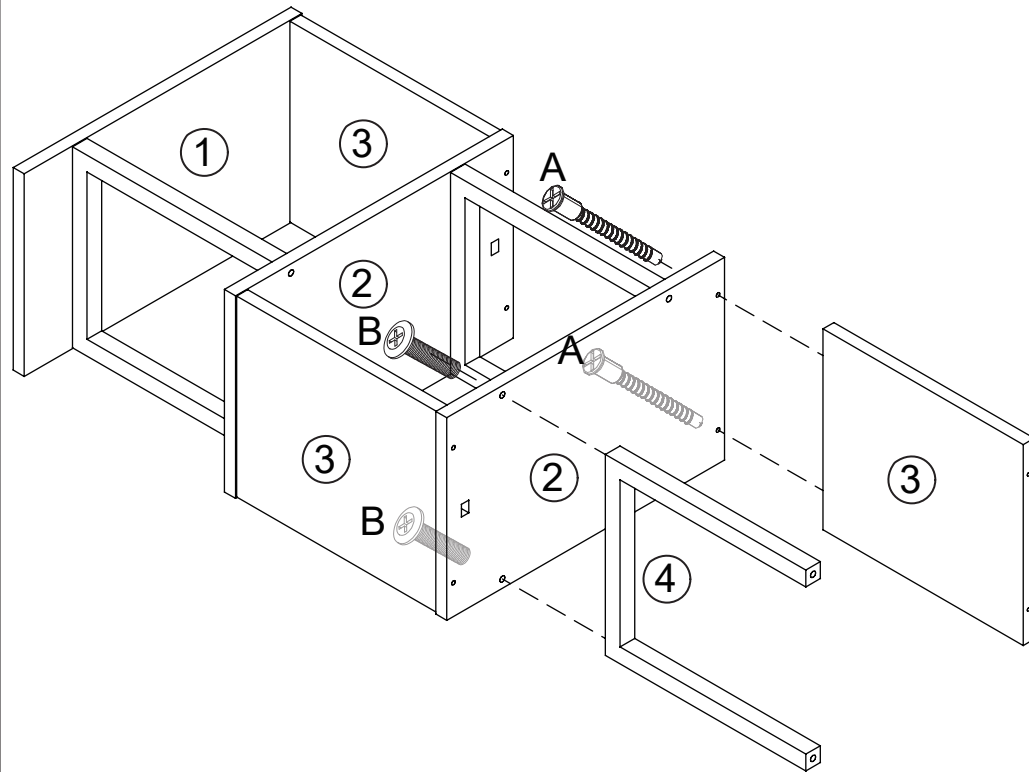
A=2
B=2

Step 4



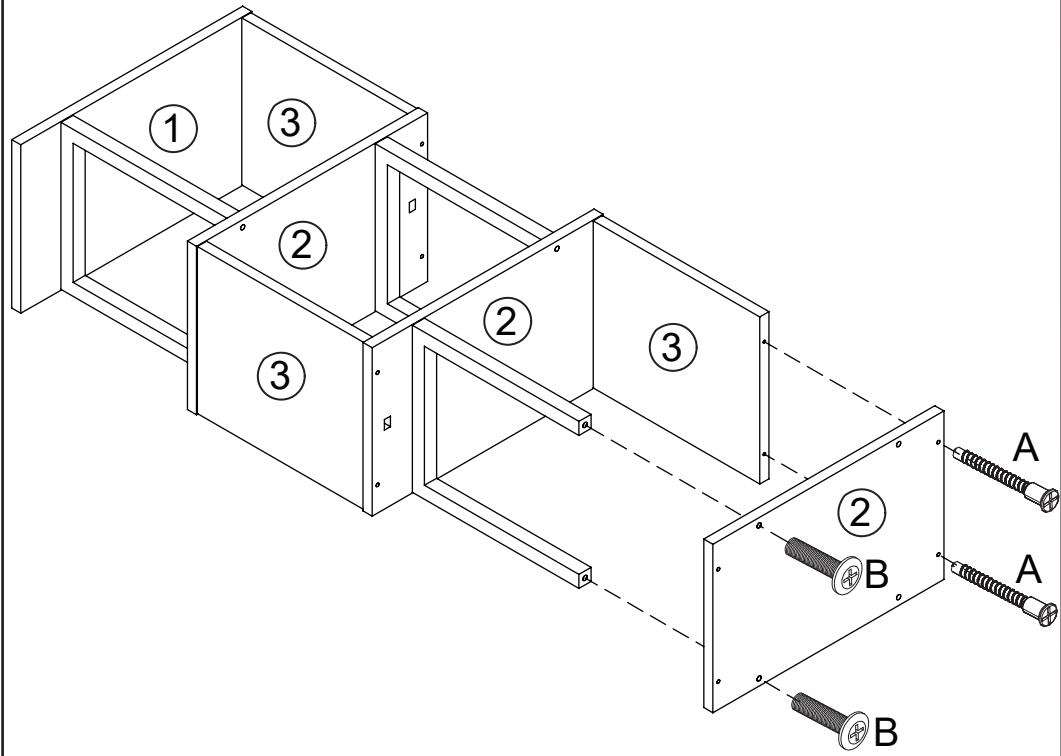
A=2
B=2

Step 5



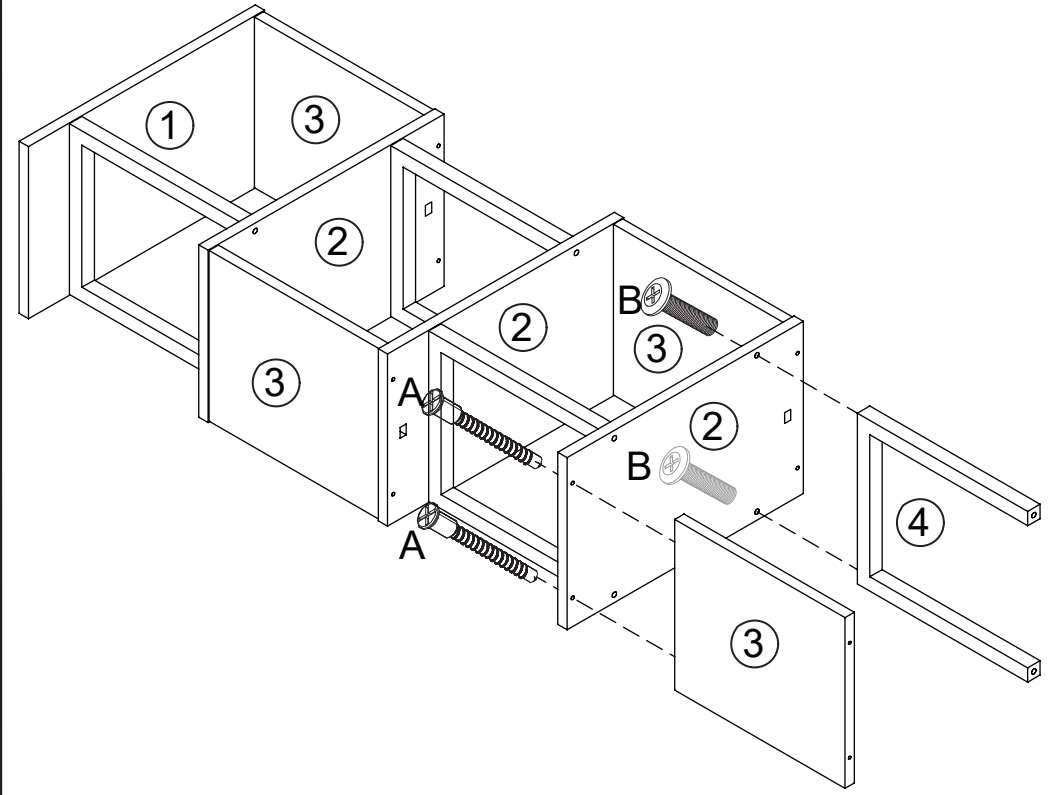
A=2
B=2

Step 6



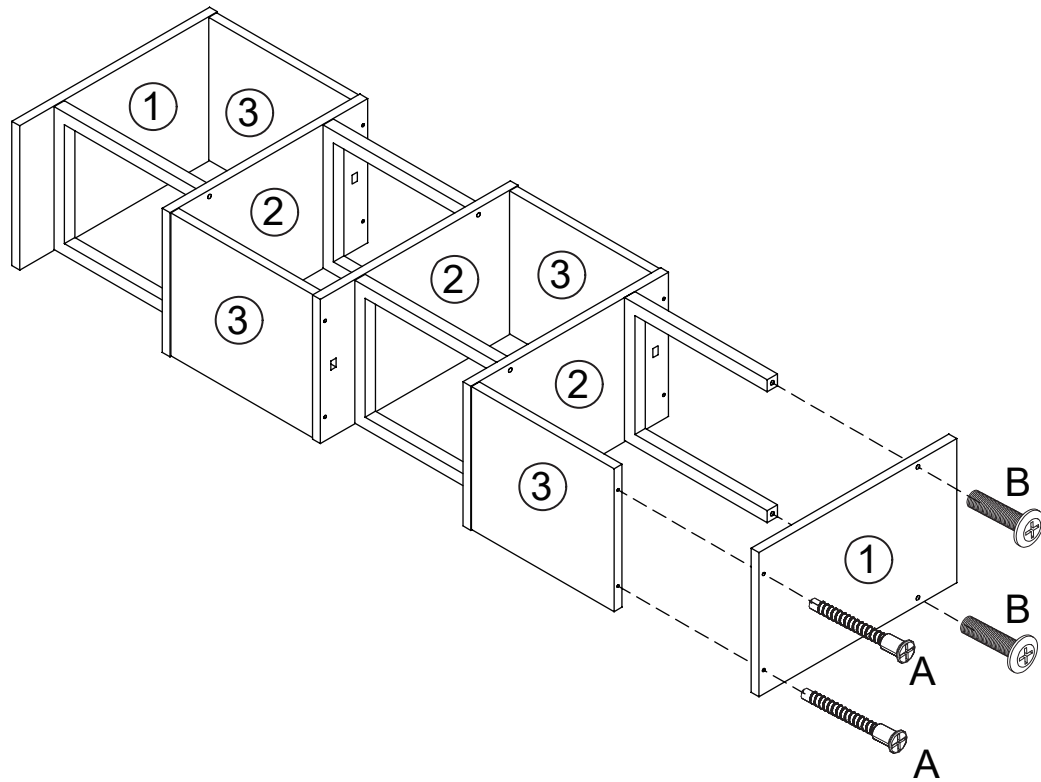
A=2
B=2

Step 7



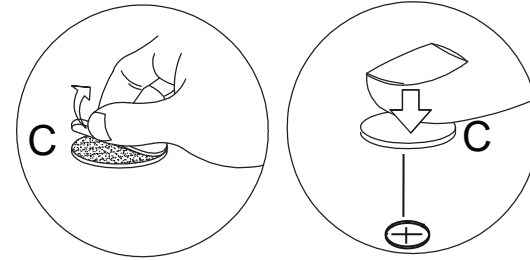
A=2
B=2

Step 8

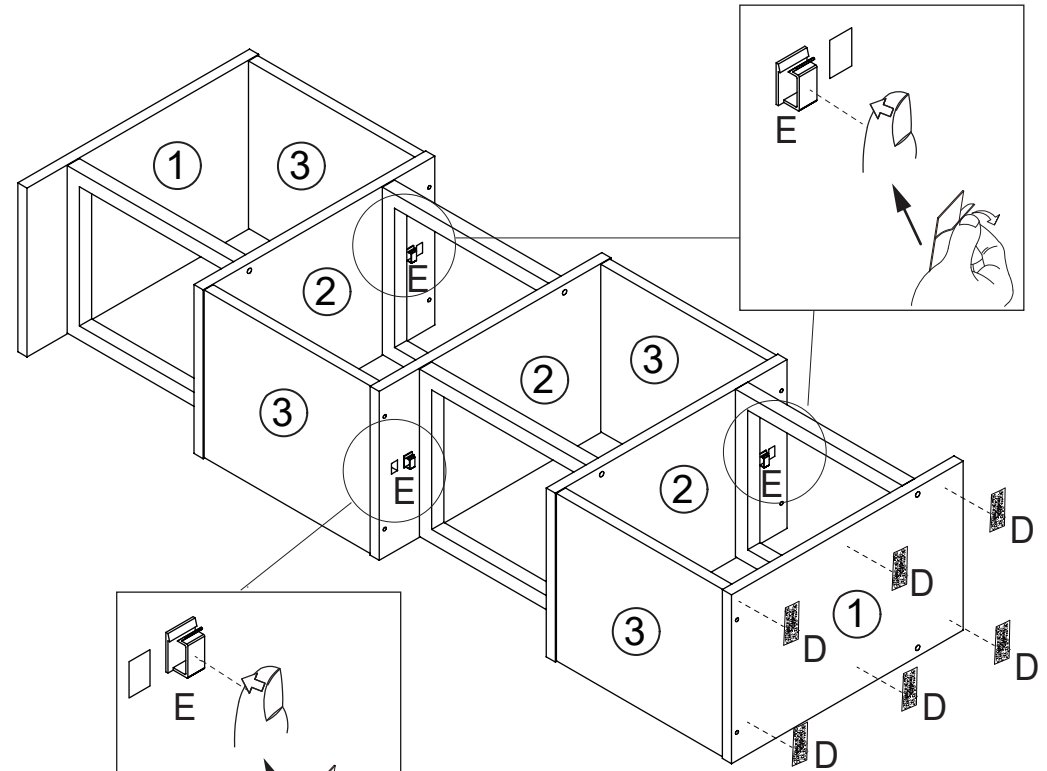


A=2
B=2

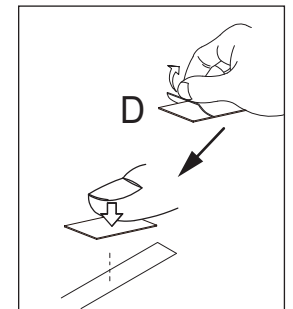
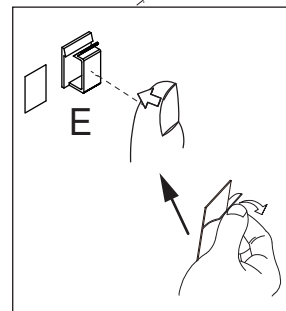
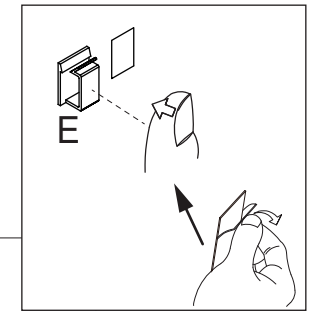
Step 9



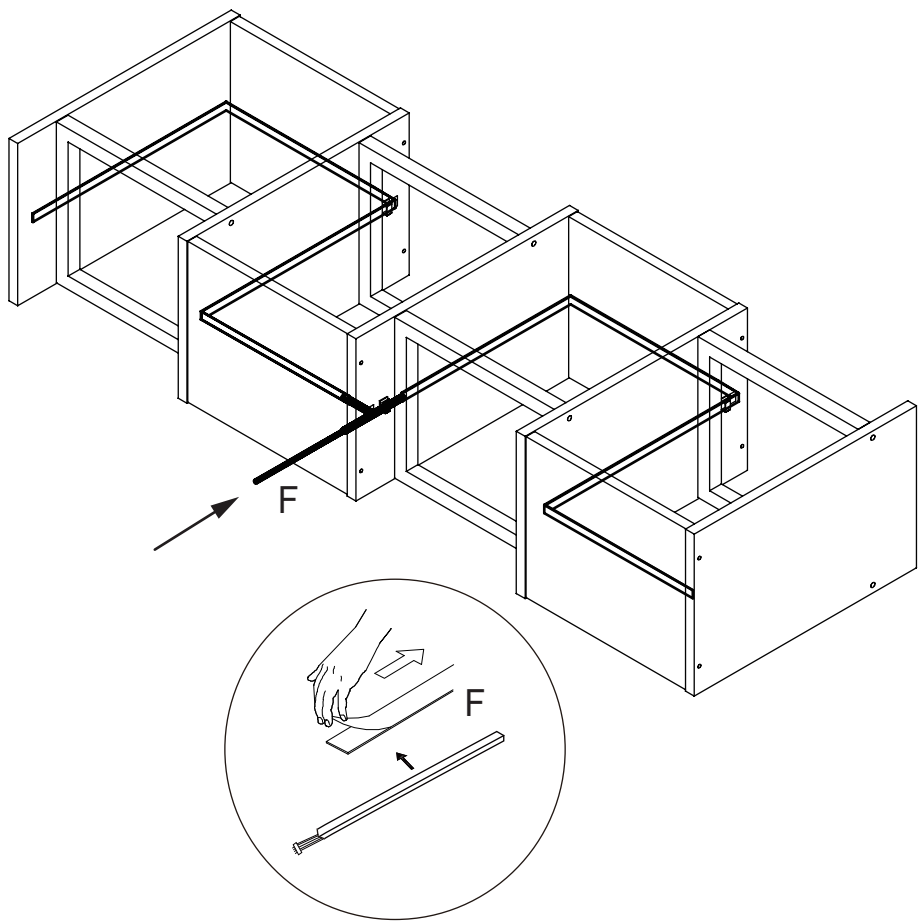
Please stick the hardware "C" on the exposed hole that makes your product more beautiful.



C=32
D=6
E=3

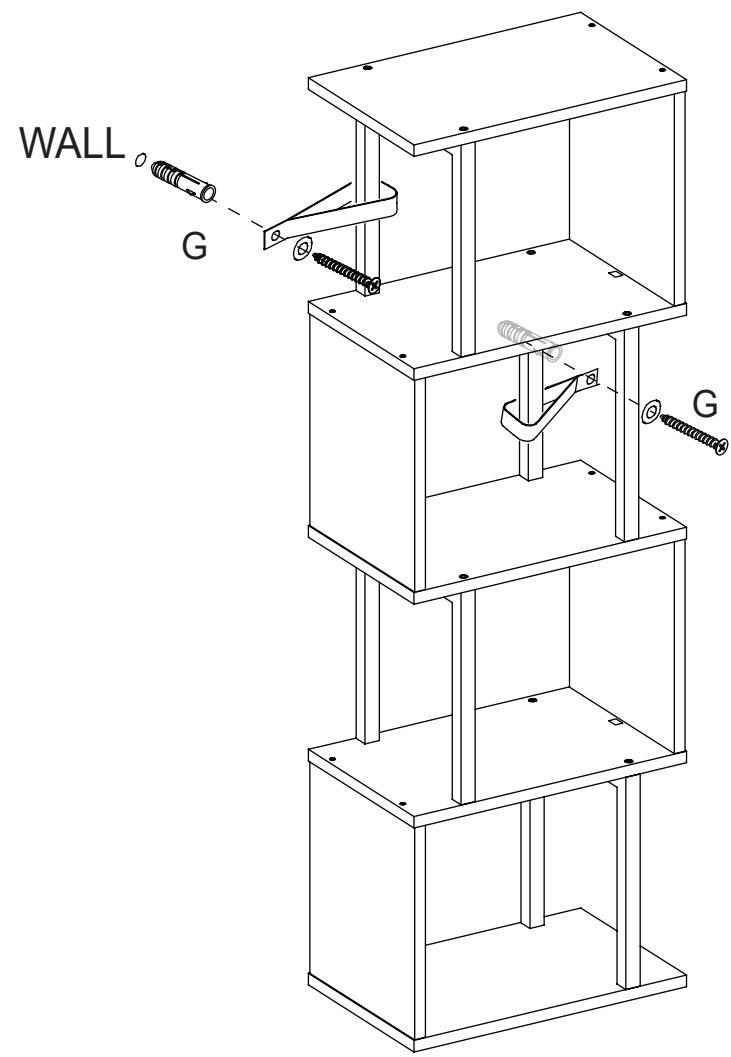


Step 10



F=1

Step 11



G=2

Step 12

