



AWNING DIY EXTENSION

Canopies can be attached to one another. This requires two people working together, positioning the two together from an upright position. Once the two canopies have been connected to one another, screw the bracket together securely. Then affix to the wall.

Note: If you want to continue to assemble the canopy in larger sizes, you can purchase Mcombo AW Series canopy to complete your assembly requirements.

DISPOSAL

- Please respect the environment!
- Dispose of the packaging according to the local recycling regulations.
- Dispose of the appliance at the end of its life span according to environment considerations.

WARNING

This product is intended for domestic use only.



TECHNICAL SPECIFICATION

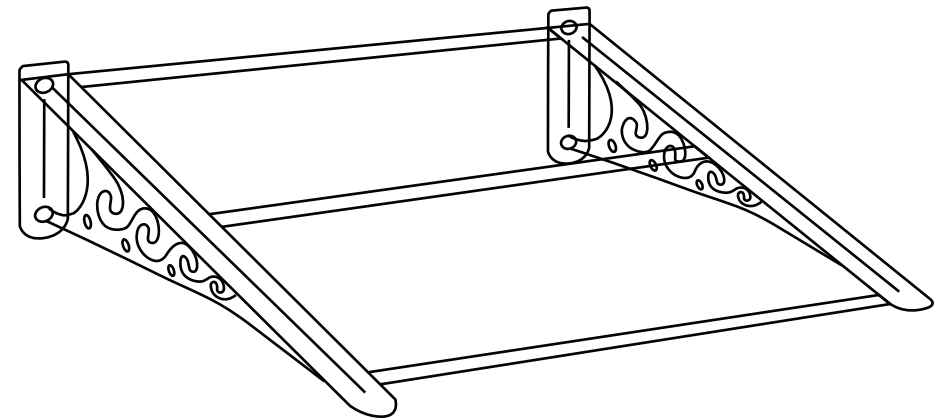
Measurements:

38.2" (Centre-to-centre horizontal distance of two bracket bolt hole)

We're here to answer your questions!
 sales@mcombo.com
 (323) 597-1109

Window Awning

INSTRUCTION MANUAL



Model NO. 6055-AW404 Size: 40"(W)x40"(L)x11"(D)

6055-AW408 Size: 40"(W)x80"(L)x11"(D)

Please read carefully before use and keep for future reference

support line: (323) 597-1109
 For more innovative products from Mcombo please visit:
www.mcombo.com

Congratulations!

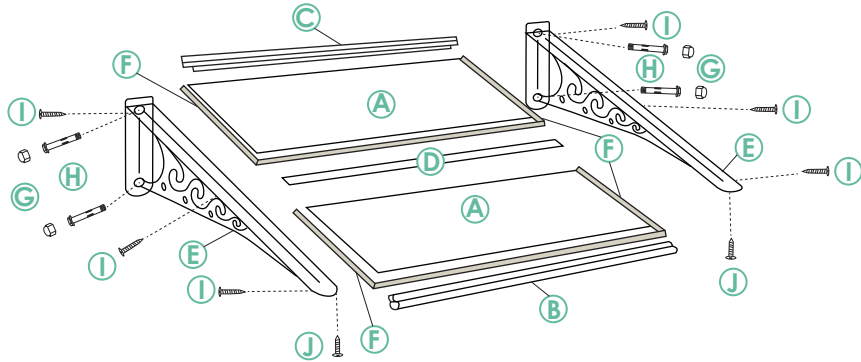
Thank you for purchasing the window awning.

Macrout Awning - Designed for easy and seamless linking of multiple units for extended coverage. The DIY combination is the choice solution to protect lengthy and over-sized windows and doors.











INSTALLATION

To support the structure during mounting, it is recommended that two people install this product. Concrete wall, hard wooden walls or massive brickwork wall recommended. Please ask a professional for different type of wall such as (insulation, double brick, brick, wood and vinyl facing etc).

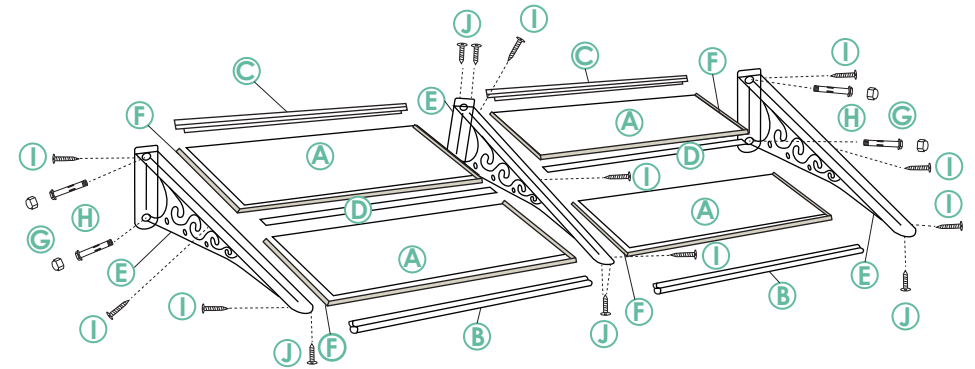
Preview installation diagram(AW404)













6055-AW404 Part List

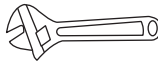
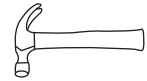

A  2 PCS Board	B  1 PC Front Fixing Bar	C  1 PC Back Fixing Bar	D  1 PC Connecting Rod	E  2 PCS Bracket
F  1 PC Nano Double-Sided Tape	G  4 PCS Plastic Caps	H  4 PCS Expansion Bolts M8*80mm	I  6 PCS Screws M4*20mm	J  2 PCS Screws M4*15mm

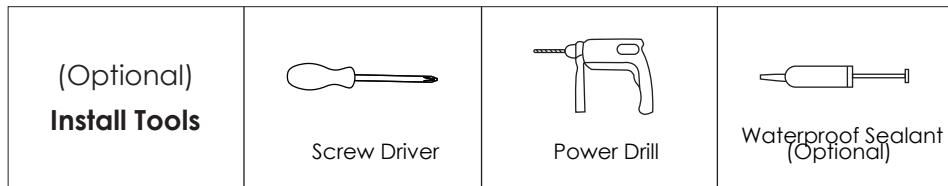
Preview installation diagram(AW408)



6055-AW408 Part List

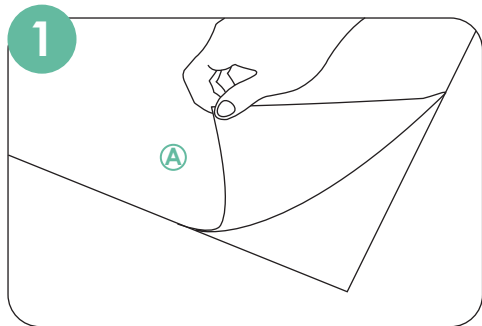
A  4 PCS Board	B  2 PCS Front Fixing Bar	C  2 PCS Back Fixing Bar	D  2 PCS Connecting Rod	E  3 PCS Bracket
F  2 PCS Nano Double-Sided Tape	G  6 PCS Plastic Caps	H  6 PCS Expansion Bolts M8*80mm	I  9 PCS Screws M4*20mm	J  6 PCS Screws M4*15mm

(Optional) Install Tools	 Spanner	 Hammer	 Rubber Hammer
------------------------------------	--	---	--

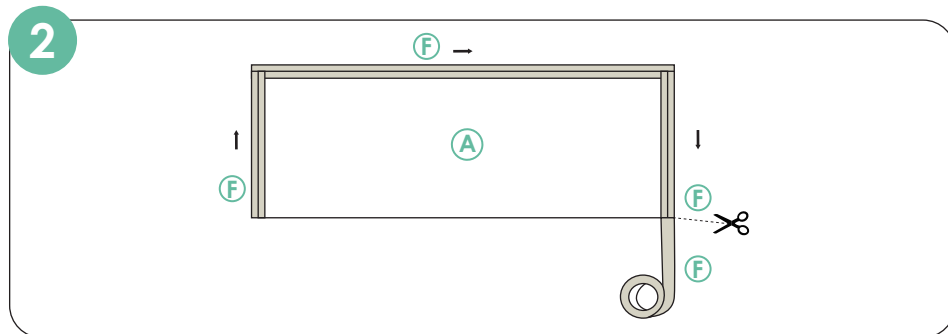


Please Remove All Protective Foam.

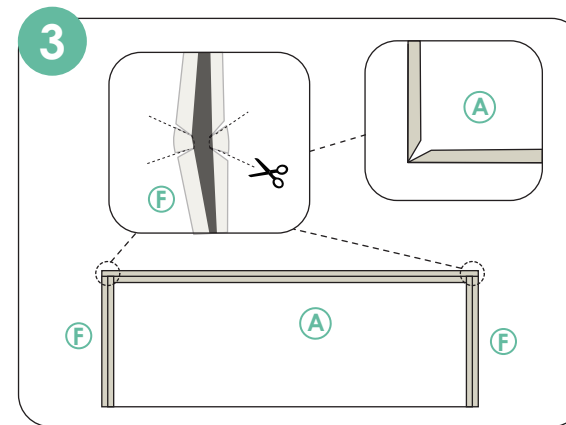
Stick Double-Sided Adhesive



Place the Boards **#A** on a clean surface. Flip the Boards **#A** over and peel off the protective film on top.



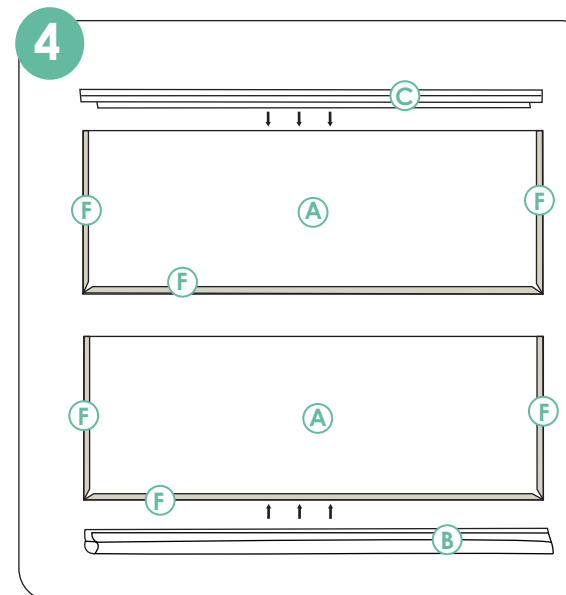
Along the short side of the Boards **#A**, paste the Double-Sided Tape **#F**.
(Note: Paste only three sides: one long side + two short sides.
Do not tear off the plastic film on the Double-Sided Tape.)



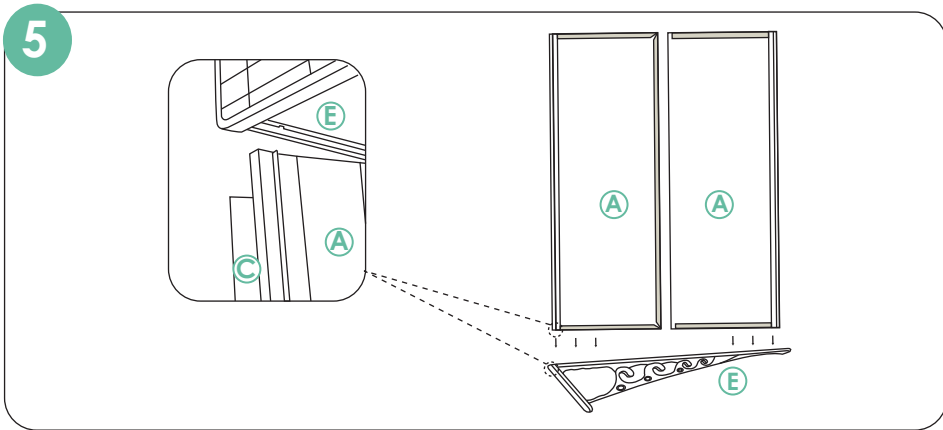
Cut 2 triangles of tape at each of the two right angles as shown in the picture. It can be cut into a "butterfly shape", and then press the excess tape onto the Boards **#A**.

Suggestion: Install with at least two people.

Install the Frame

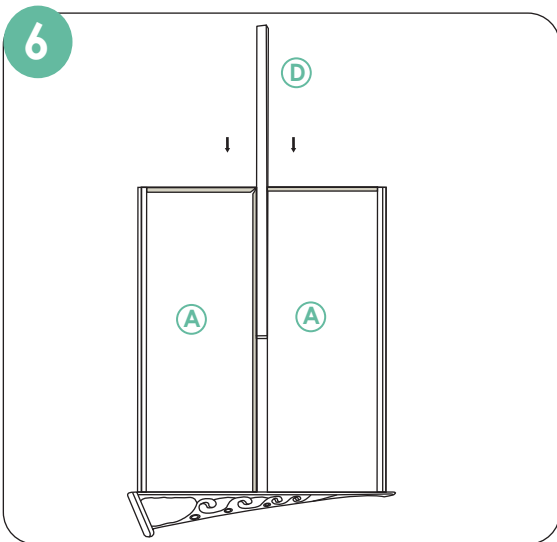


Insert the Back Fixing Bar **#C** into the long side of the Board **#A** without Tape **#F** and insert the Front Fixing Bar **#B** into the long side of the Board **#A** with Tape **#F**.

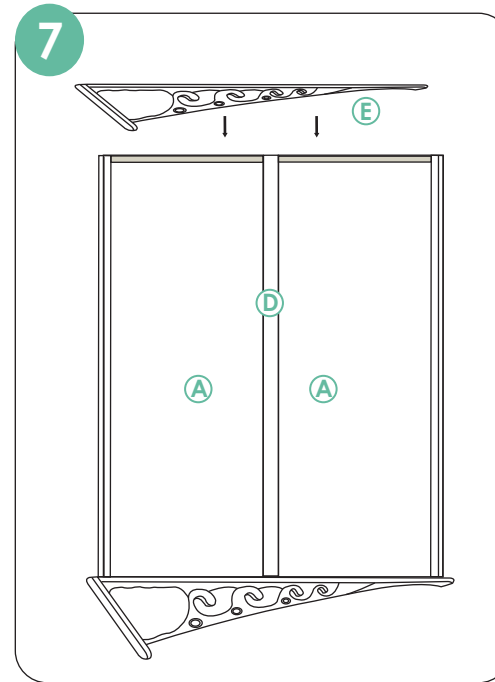


Lay the Bracket **#E** on the clean and smooth floor (It is recommended to lay it on the flat paper liner or foam pad.) Insert the two Boards **#A** equipped with the Fixed bars **#B** & **#C** into both sides of the Bracket **#E** card slot.

With the Front Fixing Bar **#B** towards the pointed end of the bracket, and the Back Fixing Bar **#C** towards the ridges of the bracket. (Note: There is a convex line on one side of the back Fixing Bar **#C**, which needs to be aligned with the hole).

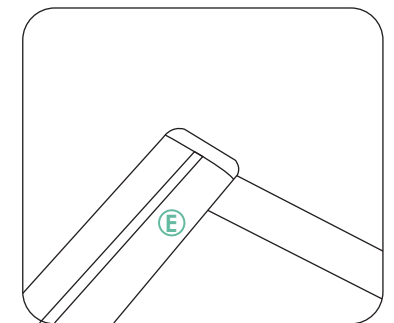
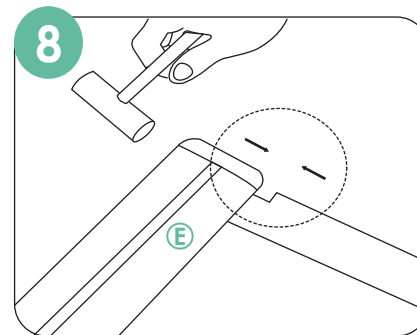


Insert the Connecting Rod **#D** along the middle of the two Boards **#A**.

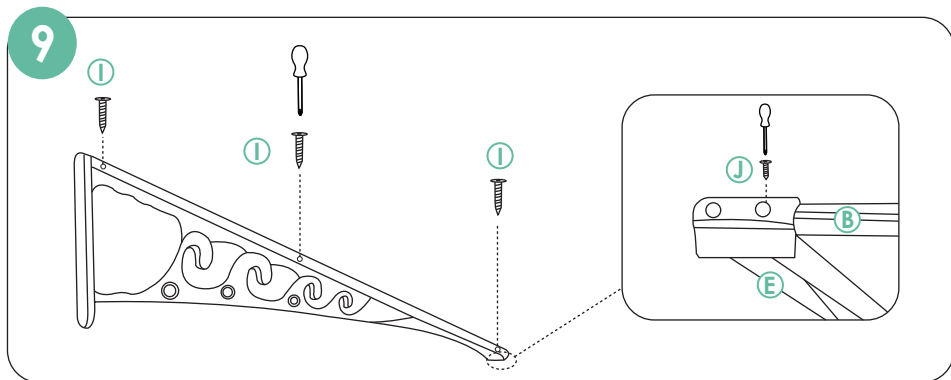


Insert the other Bracket **#E** into the hole.

Reinforce the Frame



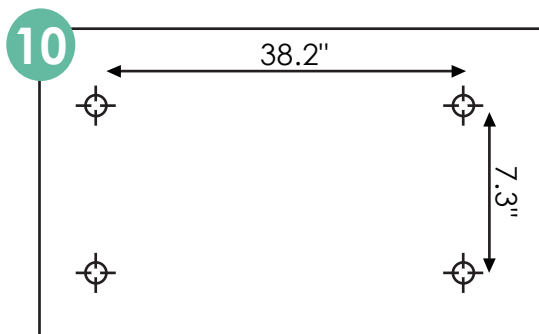
Strike the back sides of the Bracket **#E** with a wooden hammer until the gaps disappear.



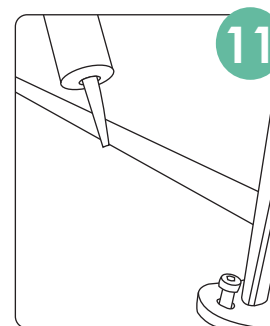
Install screw #I to fix the three holes on both sides of the Brackets #E, and install screw #J to fix the holes on the inside of the front end of the Brackets #E.

Drill Holes on the Wall

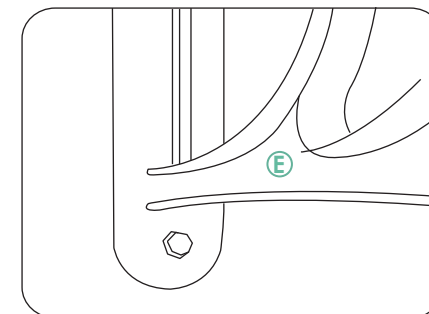
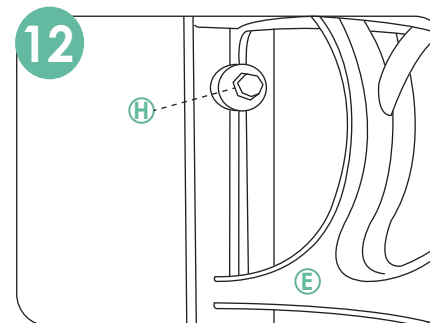
Before drilling any holes ensure you are completely happy with the position that there are no electrical cables or pipes that can be damaged and that the position is not going to cause any obstruction of possible injury.



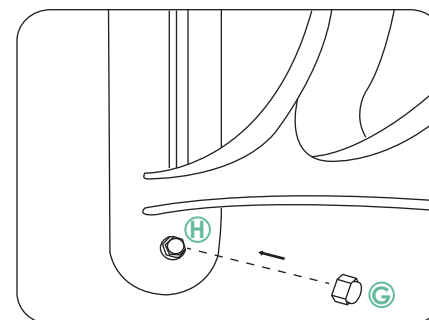
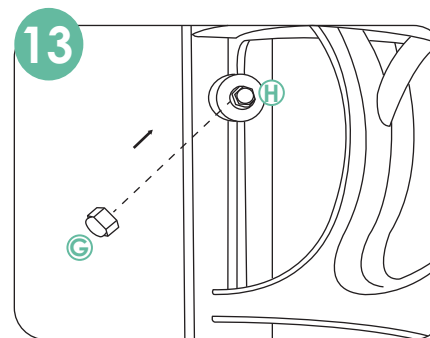
Carefully measure the distance between the fixing holes in the brackets and mark the position of the four holes that you need to drill. You can refer to the following distance: Distance from the center of the screw hole in the left and right bracket: 38.2" (AW404 series) / 76.4" (AW408 series) Distance between the top and bottom screw holes: 7.3" Use a 10mm drill bit to a depth of 3.15" where you marked the four holes.



In order to improve the waterproof performance, you can use a waterproof sealant at the edge, of course it is up to you.



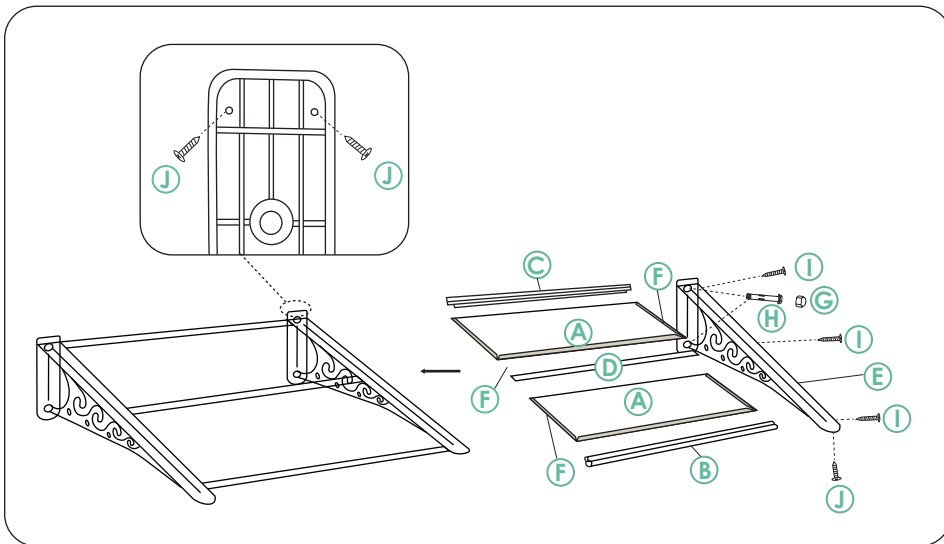
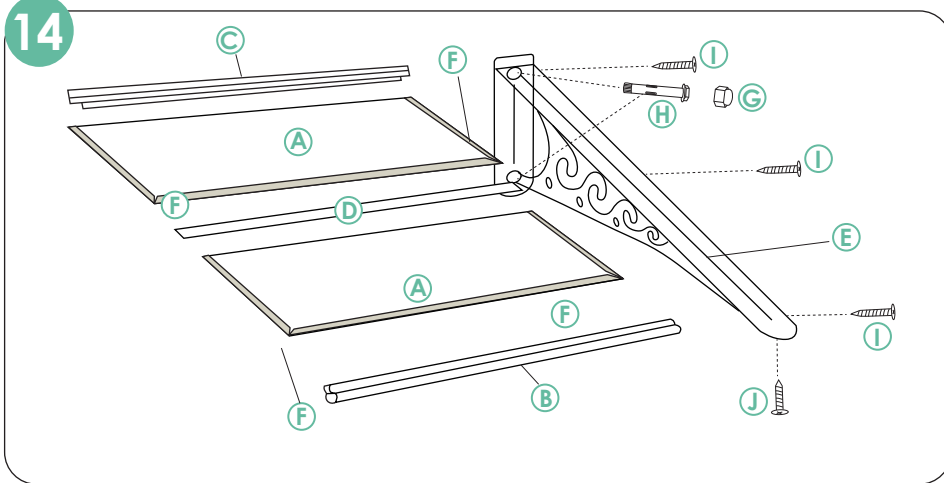
Secure the awning and insert Expansion Bolts #H through the Brackets #E into the drilled holes. You can knock the Expansion Bolts #H with a hammer or mallet.



Put the Plastic Caps #G on the Expansion Bolts #H.

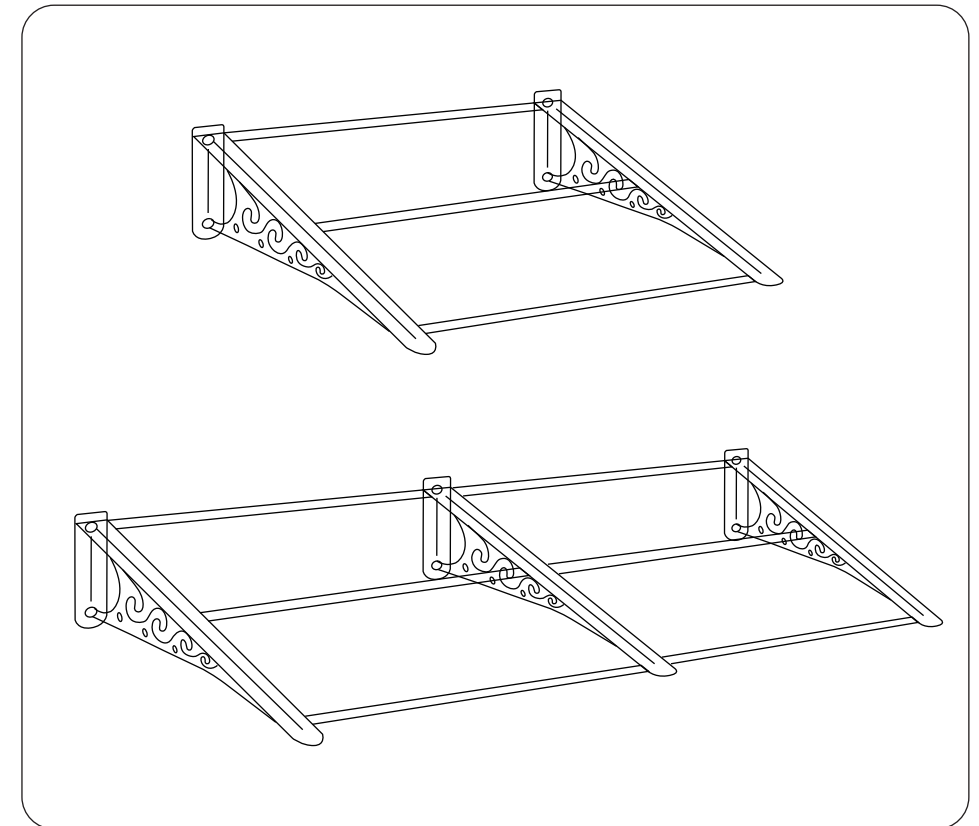
Assemble in Larger Sizes

After installing an AW404 canopy, if you need to assemble the canopy in larger sizes(408 or more), you can follow the previous steps above to assemble the remaining parts.



Insert the short edge without the Bracket #E in the same direction into the groove of the Bracket #E.

Please note that there are two small round holes in the upper back of Bracket #E, and the holes of the Bracket #E in the middle of the two awning needs to be fixed with screw #J.



Congratulations, your awning has been installed!