



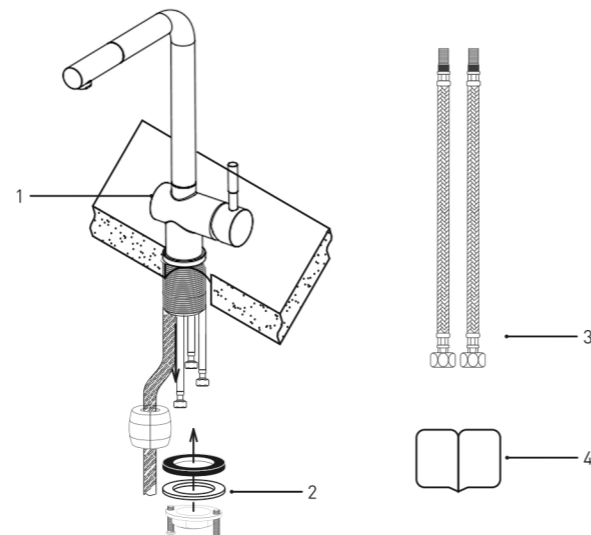
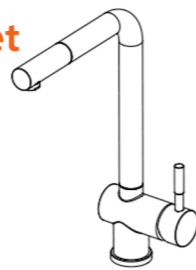
# FAUCET

## INSTRUCTION

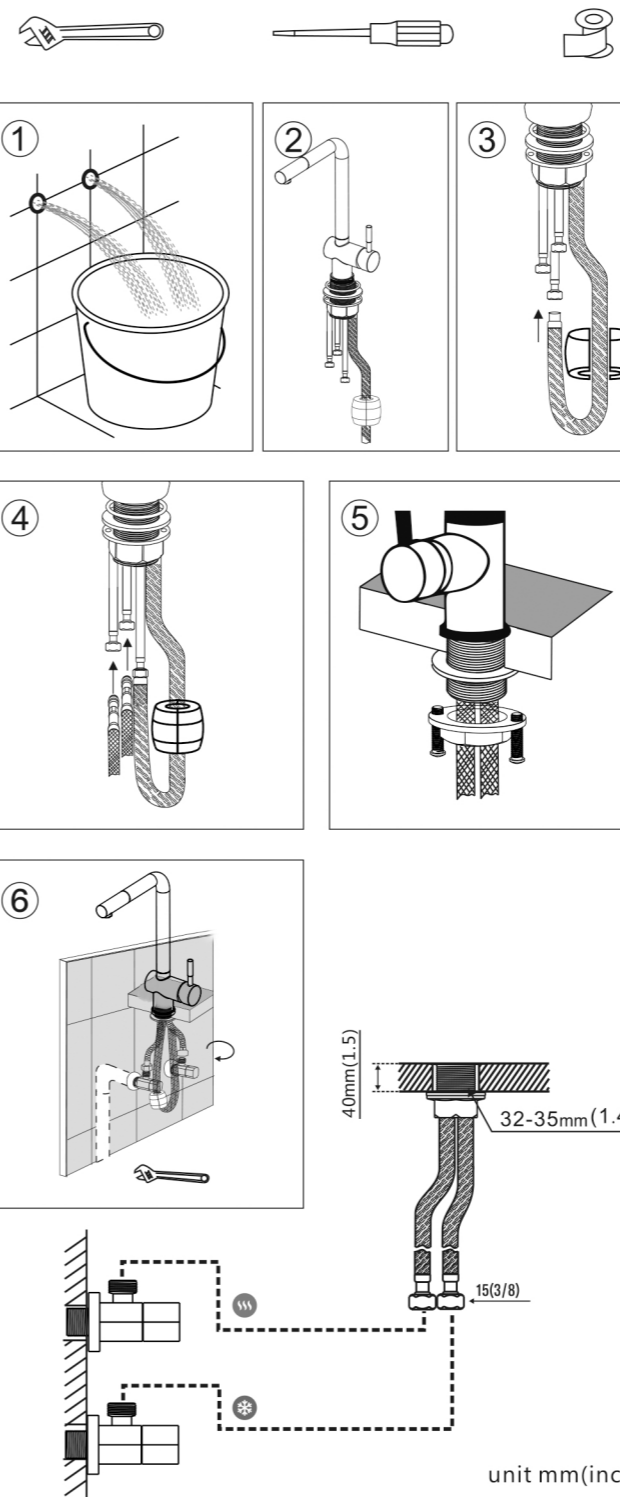
Your review or feedback online will be highly appreciated.

support@torvausa.com  
<https://torvausa.myshopify.com>

### Kitchen faucet



1	Faucet body	1 Set
2	Fixed parts	1 Set
3	Hose	2 Pcs
4	Instruction paper	1 Pcs



### Safety Notes

- ⚠️ Gloves should be worn during installation to prevent crushing and cutting injuries.
- ⚠️ The shower system may only be used for bathing, hygienic and body cleaning purposes.
- ⚠️ The hot and cold supplies must be of equal pressures.

### Installation Instructions

- Prior to installation, inspect the product for transport damages. After it has been installed, no transport or surface damage will be honoured.
- The pipes and the fixture must be installed, flushed and tested as per the applicable standards.
- The plumbing codes applicable in the respective countries must be observed.
- The drain valve must only be used as intended. It is not allowed to attach other objects to the drain valve, for example a semi-pedestal.

### Technical Data

Operating pressure:	max. 1 MPa
Recommended operating pressure:	0,1 - 0,5 MPa
Test pressure:	1,6 MPa (1 MPa = 10 bar = 147 PSI)
Hot water temperature:	max. 70°C
Recommended hot water temp.:	65°C
Thermal disinfection:	max. 70°C / 4 min

Email  
[support@torvausa.com](mailto:support@torvausa.com)  
 Website  
<https://torvausa.com/>