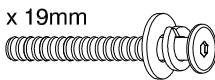


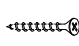


# ASSEMBLY INSTRUCTIONS

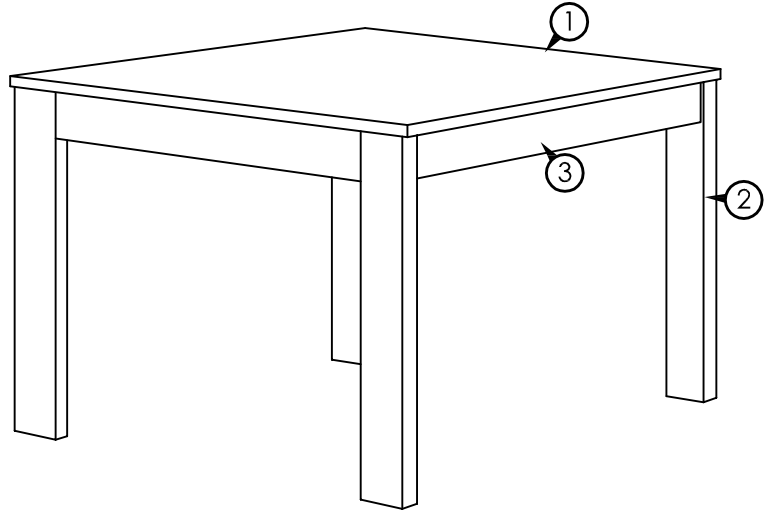
**MODEL :** DINING TABLE

**IMPORTANT NOTE :**

- \* PLACE ALL WOODEN PARTS ON A CLEAN AND SMOOTH SURFACE SUCH AS A RUG OR CARPET TO AVOID THE PARTS FROM BEING SCRATCHED.
- \* BEFORE YOU BEGIN, KINDLY FOLLOW THE ASSEMBLY INSTRUCTIONS STEP BY STEP.

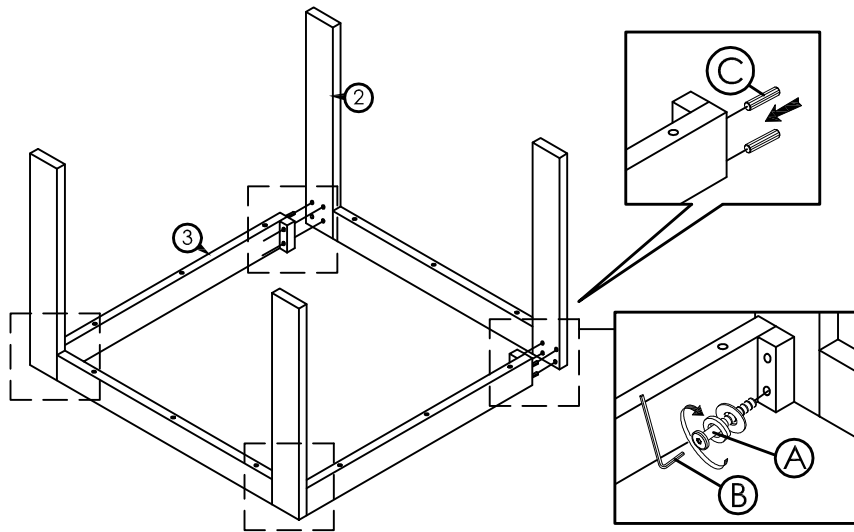
HARDWARE LIST		
A	JCBC M6 x 40mm + S/W M6 + F/W M6 x 19mm 	8PCS
B	ALLEN KEY M4 	1PC
C	WOOD DOWEL M8 x 35mm 	10PCS
D	FH SCREW #8 x 32mm 	12PCS

PART LIST		
1	TABLE TOP	1PC
2	TABLE LEG	2PCS
3	TABLE SUPPORT	2PCS



COMPLETED TABLE ASSEMBLY.

**STEP 1**



**STEP 2**

