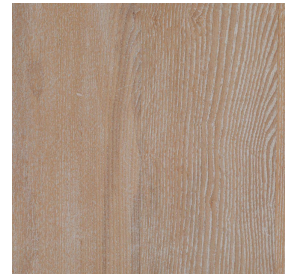
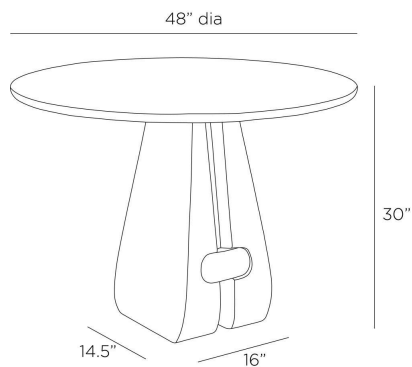


# ARTERIOS

## MELT ENTRY TABLE

WORKSHOP



GAFDI01  
H: 30 IN, Dia: 48.00 IN  
Cerused Natural

The Melt Entry Table with a white marble top explores the joining of soft, malleable forms, featuring connective elements with the same molten quality expressed throughout the series. The limewash wood entry table plays with the joining of materials and shapes and the resulting liminal space, creating a sense of airy lightness through an intentional vertical reveal. Marble will vary.

### APPEARANCE

Material	Marble, Wood
Material Type	Polished, Ash
Finish	White, Cerused Natural
Finish Will Vary	Yes
Top Coat/Sealant	Yes

### DIMENSIONS

Foot Print	W: 16 IN, D: 14.5 IN
Leg	H: 28.5 IN, W: 17 IN, D: 17 IN
Table Top	H: 1.5 IN, Dia: 48.00 IN
Diagonal Dimension	57 IN
Clearance	28.5 IN

### SHIPPING

Shipping Requirements	TruckShip
Product Weight	337 lbs
Gross Weight 1	140 lbs
Gross Weight 2	250 lbs
Shipping Box 1	H: 32.5 IN, L: 24 IN, W: 24 IN
Shipping Box 2	H: 9 IN, L: 56.5 IN, W: 56.5 IN

### ADDITIONAL INFO

Features	Assembly Required These unique designs make beautiful dining tables, but please note that placing hot or wet items on the surface can mar the finish.
Disclaimers	
Leg Or Foot Application	Adjustable Levelers

### CONTRACT

Contract Suitable	Yes
-------------------	-----