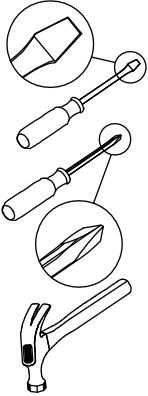


Before You Start



- ✓ Read through each step carefully and follow the proper order
- ✓ Separate and count all your parts and hardware
- ✓ Give yourself enough room for the assembly process
- ✓ Have the following tools: Flat Head Screwdriver, #2 Phillips Head Screwdriver and Hammer
- ✓ Caution: If using a power drill or power screwdriver for screwing, Please slow down or stop when the screw is tightened. Otherwise it may cause the screws to peel off.

Helpful Hints

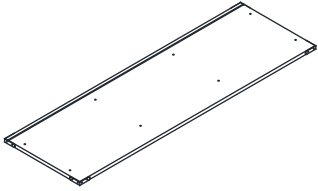
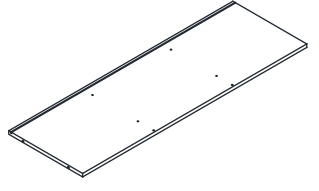
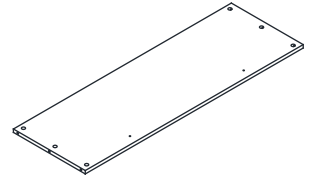
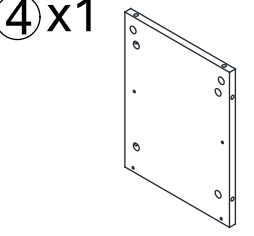
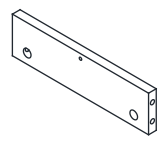




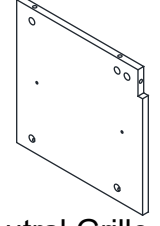
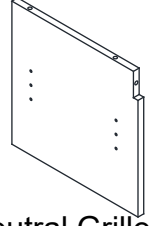
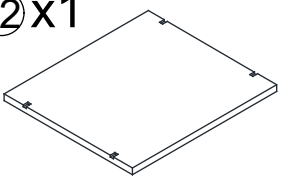
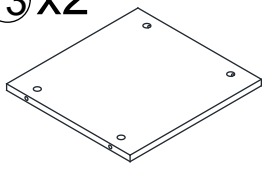
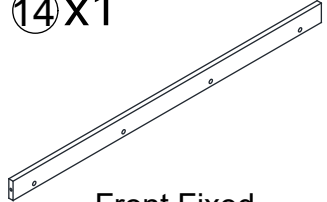
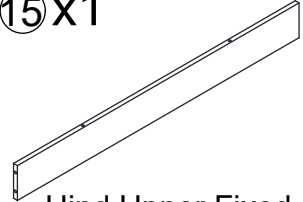
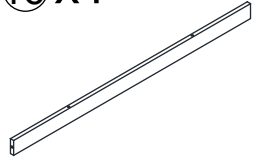
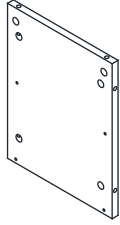
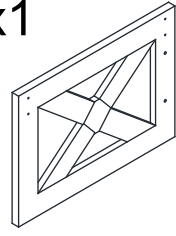
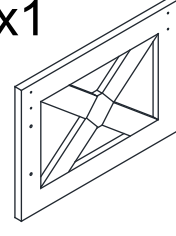
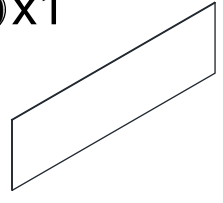
PEOPLE NEEDED FOR ASSEMBLY: 1-2

- Open your item in the area you plan to keep it to avoid excessive heavy lifting.
- Identify, sort and count the parts before attempting to assembly.
- Compression dowels are lightly tapped in with a hammer.
- Slides are labeled with an **R** (right) and **L** (left) for proper placement.
- Make sure to always face the point on the top of the Cam Lock towards the outer edge.
- Use all the nails provided for the back panel and spread them out equally.
- Back panel must be used to make sure your unit is sturdy.
- Do NOT use harsh chemicals or abrasive cleaners on this item.
- Never push, pull, or drag your furniture.

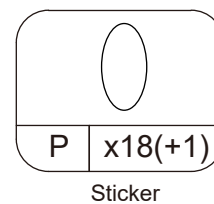
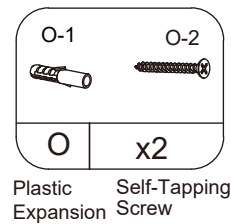
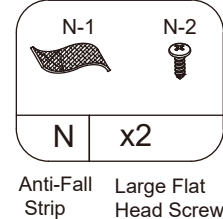
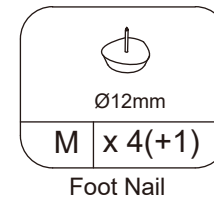
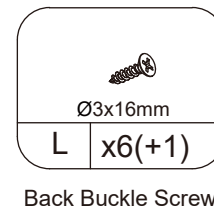
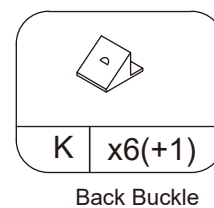
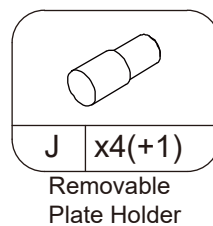
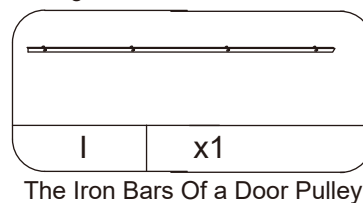
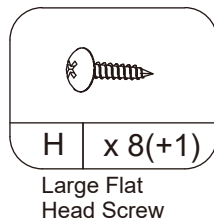
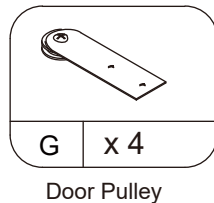
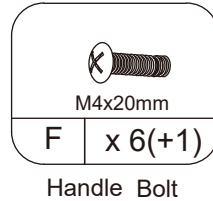
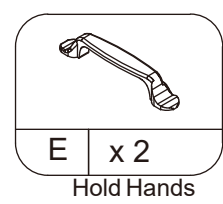
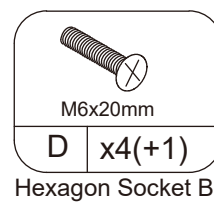
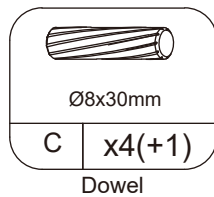
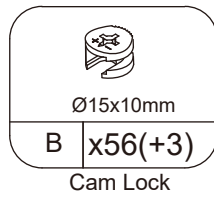
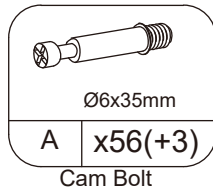


Board Identification

Not actual size

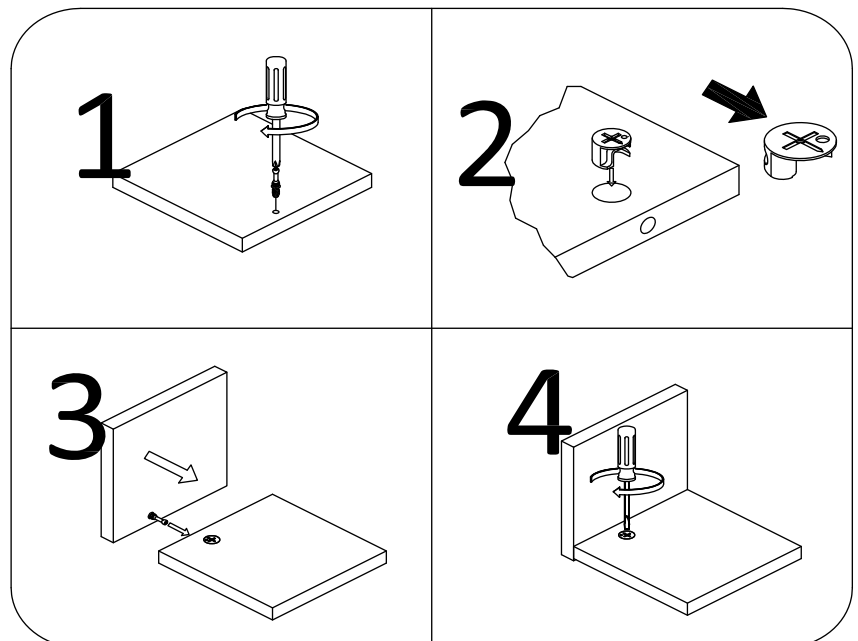
<p>①x1</p>  <p>Roof Plate</p>	<p>②x1</p>  <p>Upper Fixing Plate</p>	<p>③x1</p>  <p>Bottom Plate</p>	<p>④x1</p>  <p>Left Upper Side Plate</p>
<p>⑤x2</p>  <p>Lower Side Plate</p>	<p>⑥x1</p>  <p>Left Front Leg</p>	<p>⑦x1</p>  <p>Left Hind Leg</p>	<p>⑧x1</p>  <p>Right Front Leg</p>
<p>⑨x1</p>  <p>Right Hind Leg</p>	<p>⑩x1</p>  <p>Neutral Grille On The Left</p>	<p>⑪x1</p>  <p>Neutral Grille On The Right</p>	<p>⑫x1</p>  <p>In The Middle Active Lamination</p>
<p>⑬x2</p>  <p>Left And Right Fixed Laminates</p>	<p>⑭x1</p>  <p>Front Fixed Slide Plate</p>	<p>⑮x1</p>  <p>Hind Upper Fixed Slide Plate</p>	<p>⑯x1</p>  <p>Hind Lower Fixed Slide Plate</p>
<p>⑰x1</p>  <p>Right Upper Side Plate</p>	<p>⑱x1</p>  <p>Left Door Frame</p>	<p>⑲x1</p>  <p>Right Door Frame</p>	<p>⑳x1</p>  <p>Back Panel</p>

Part List

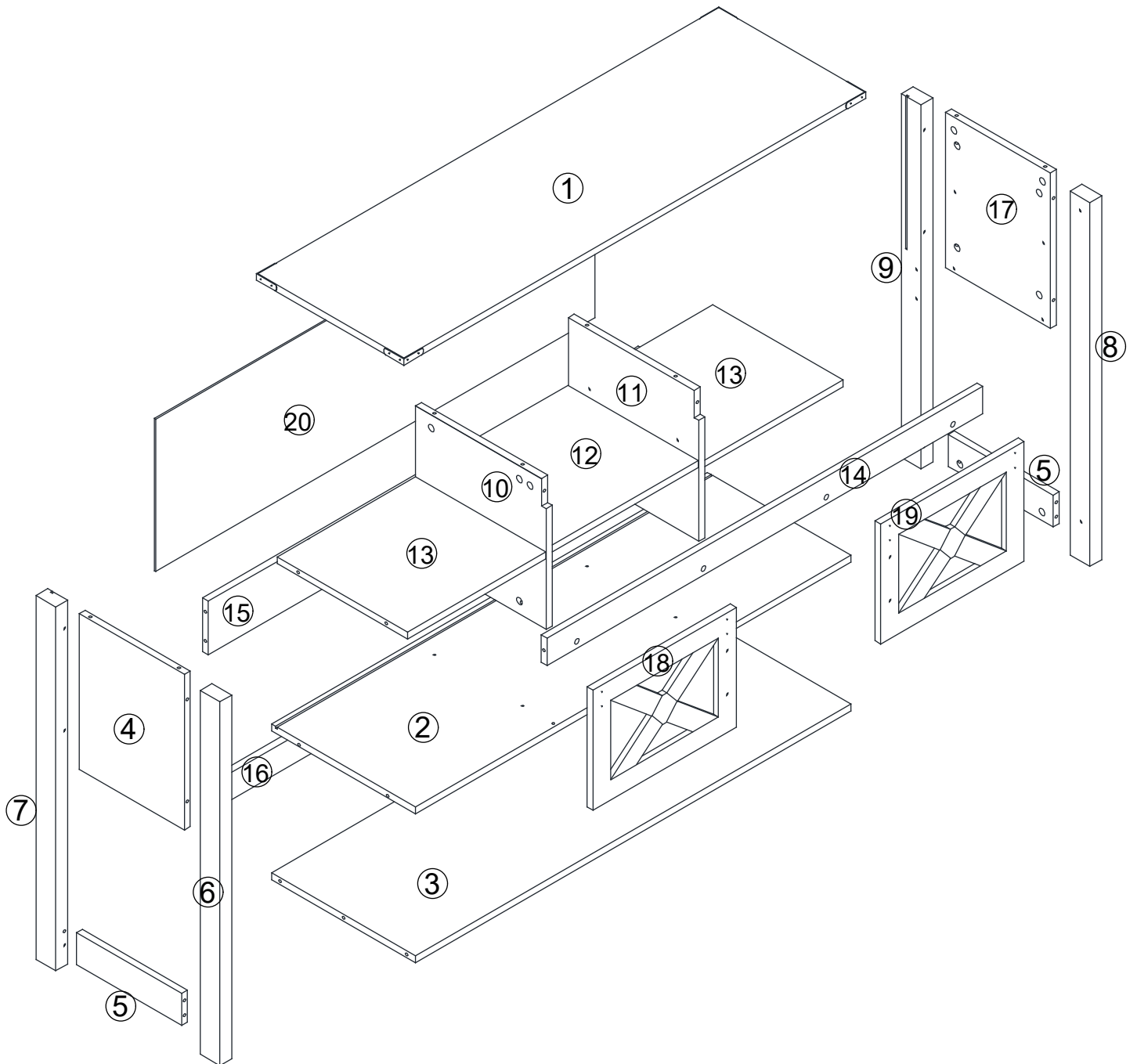


Cam Lock Fastening System

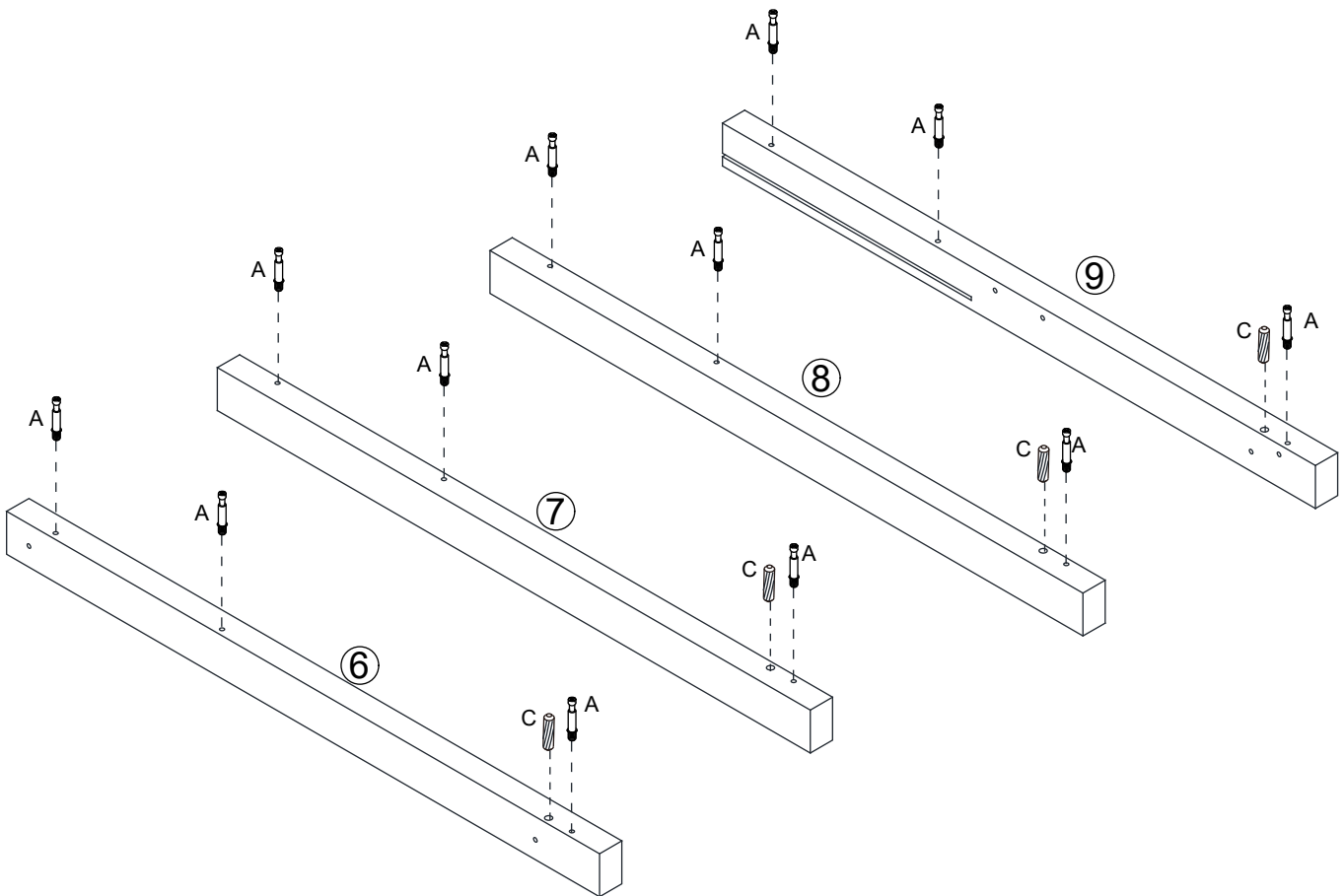
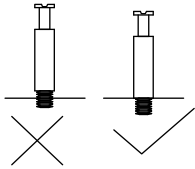
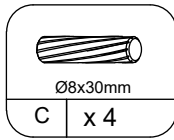
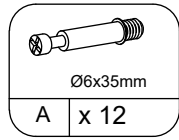
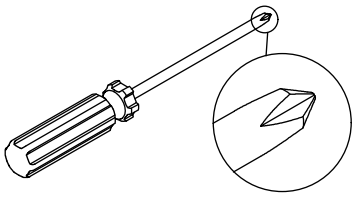
This Cam Lock Fastening System will be used throughout the assembly process.



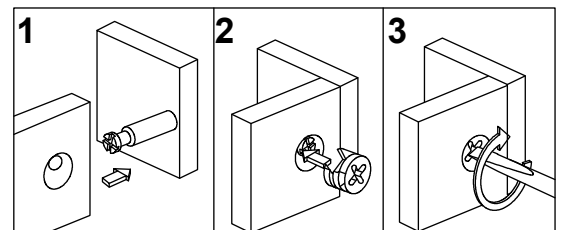
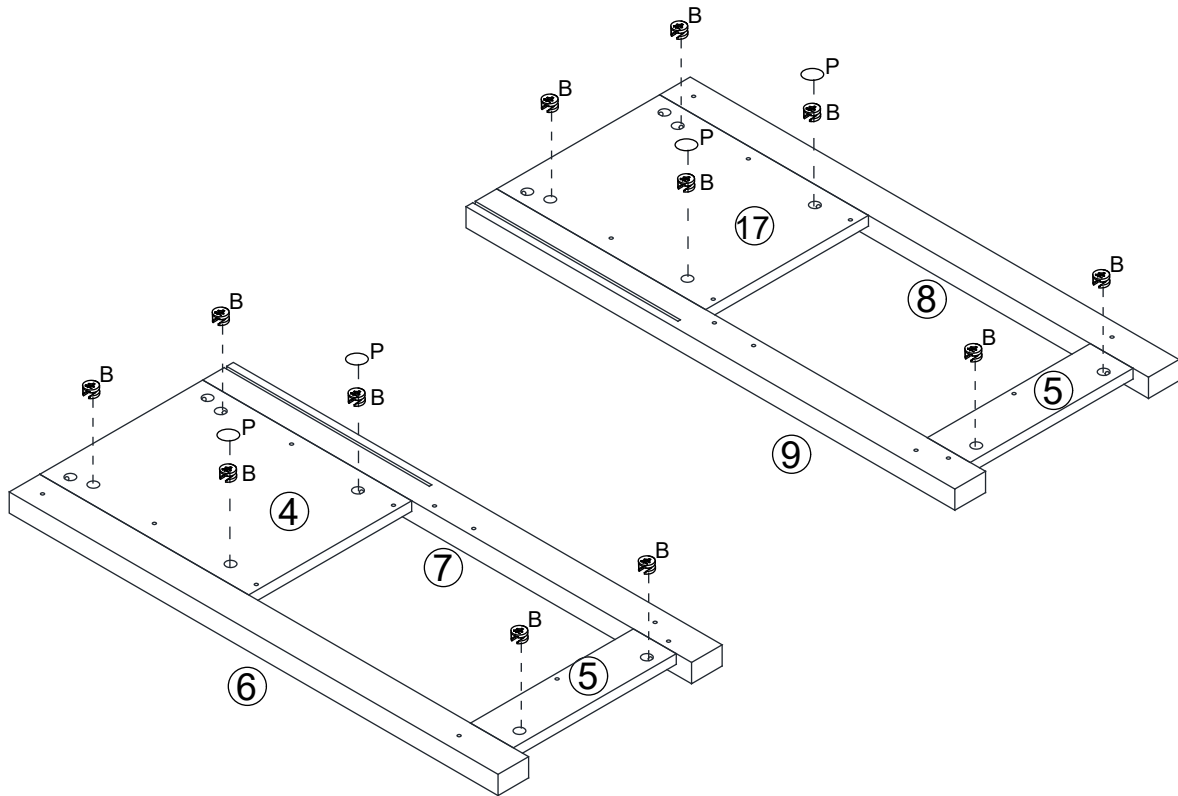
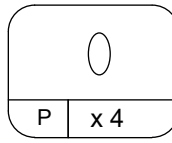
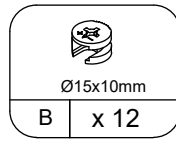
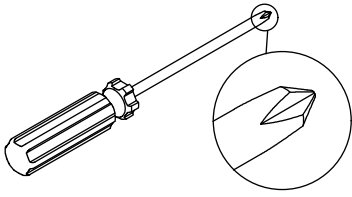
Board Identification



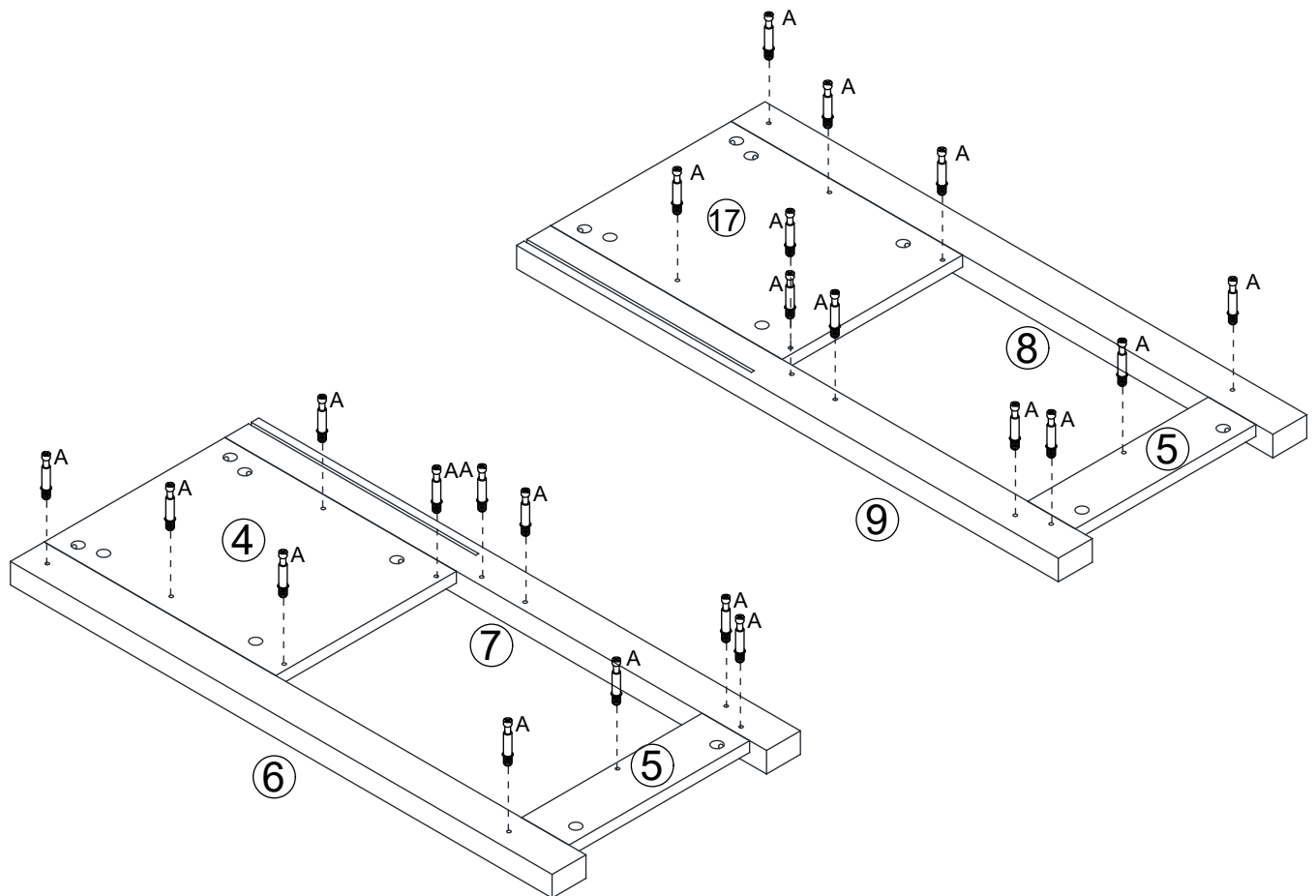
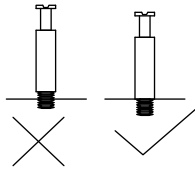
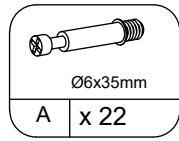
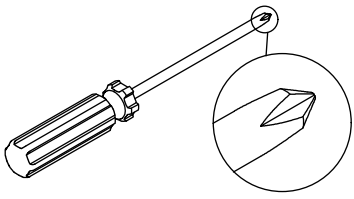
STEP 1



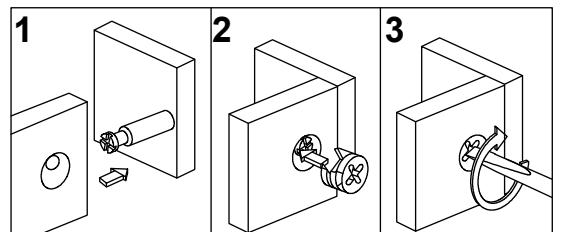
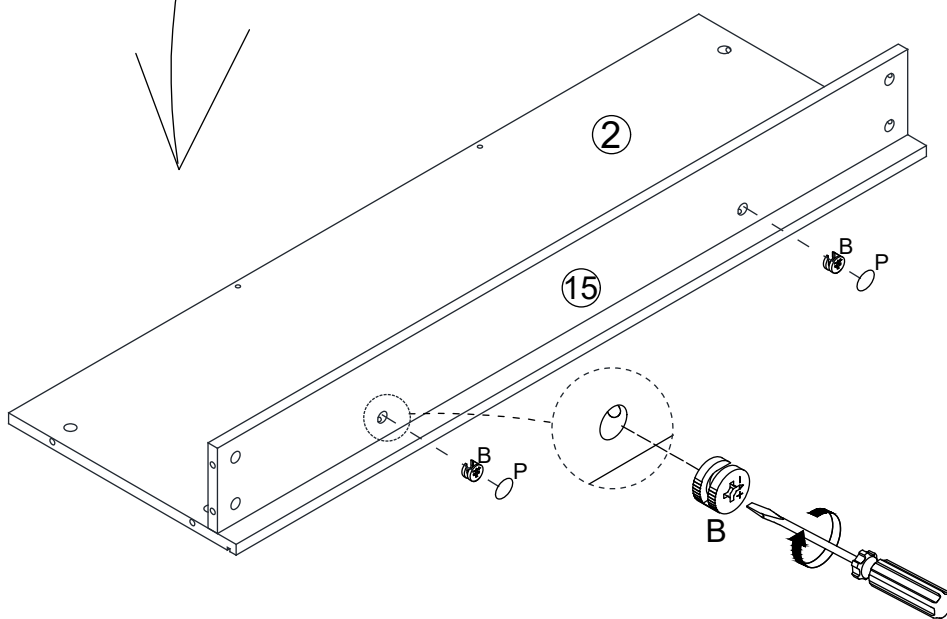
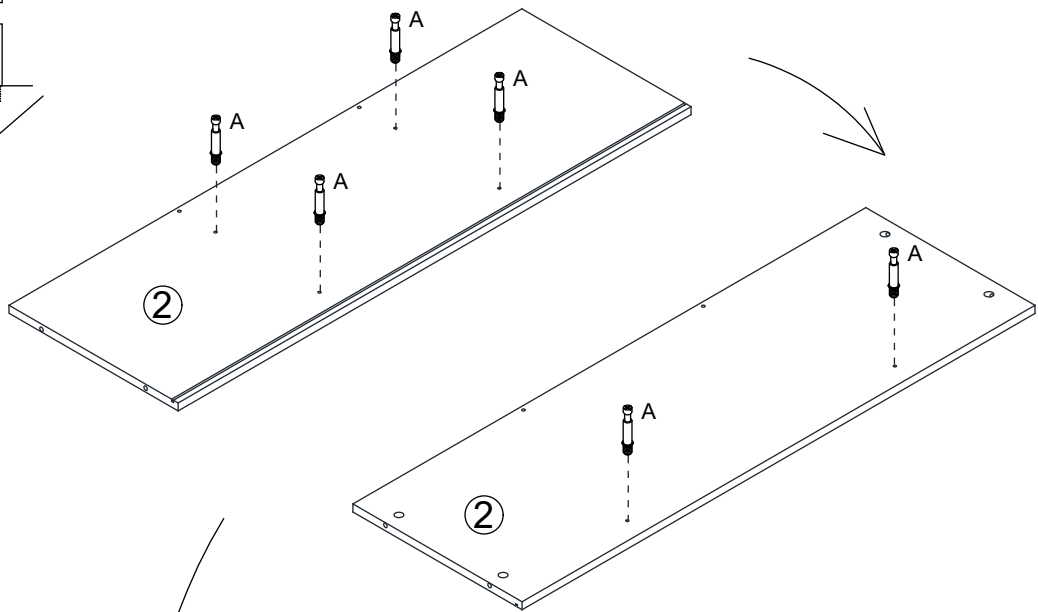
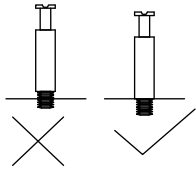
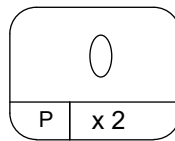
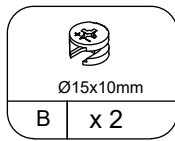
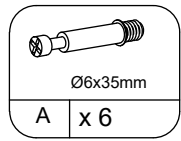
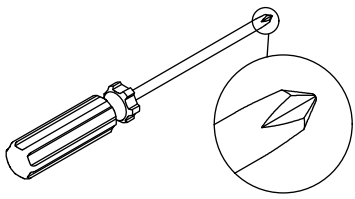
STEP 2



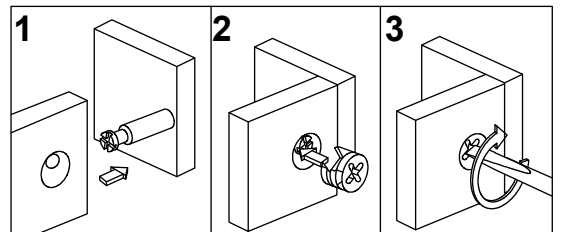
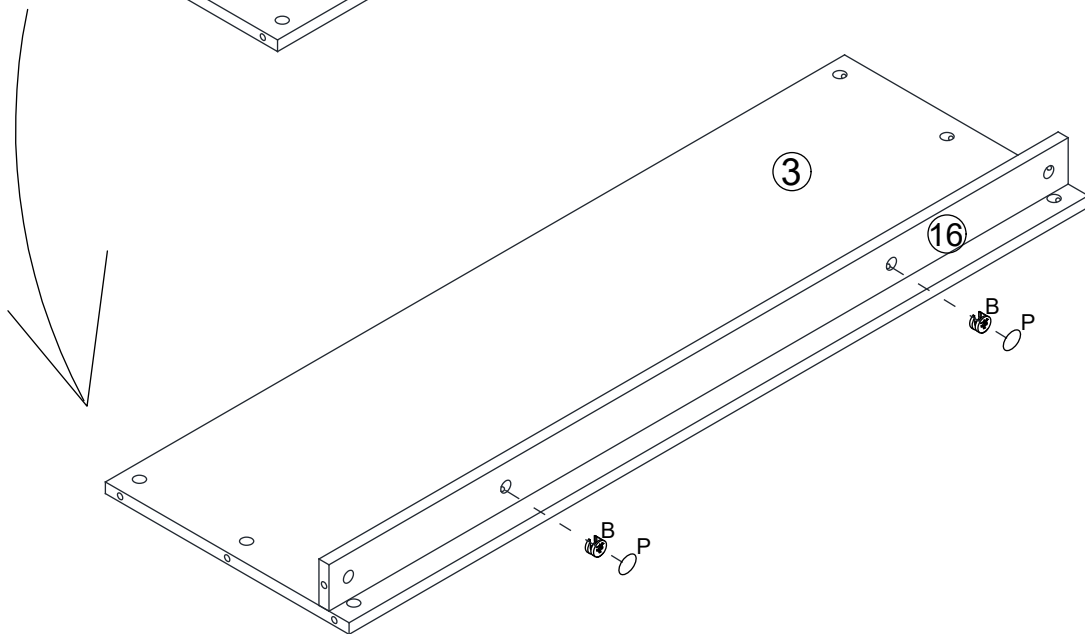
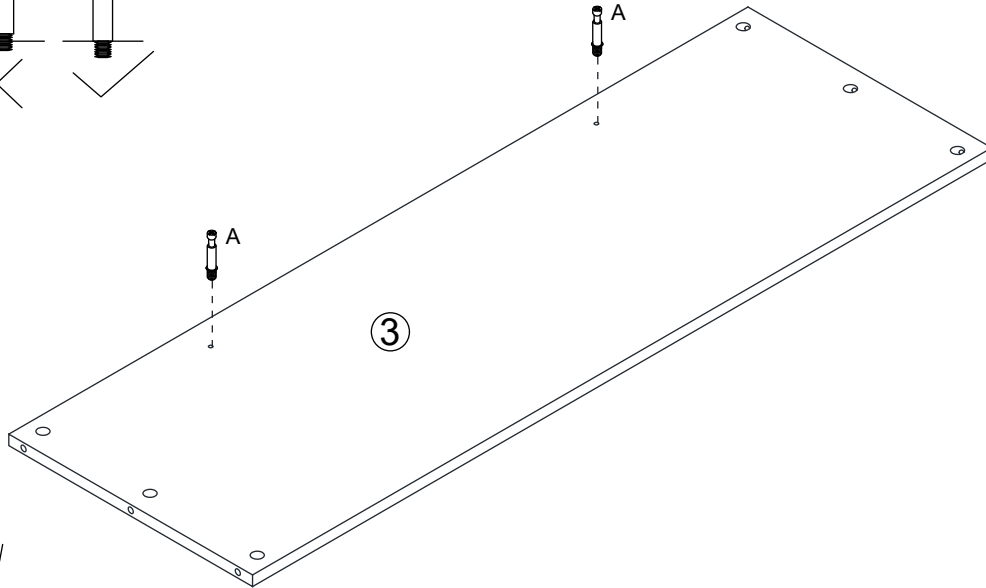
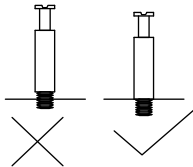
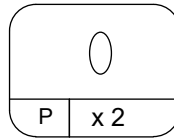
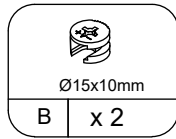
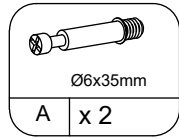
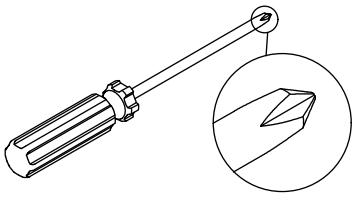
STEP 3



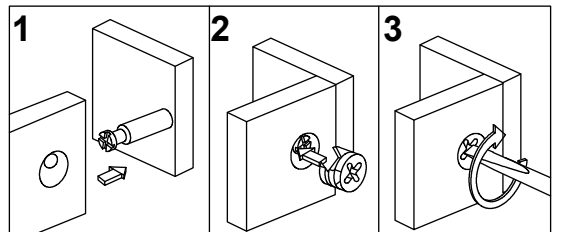
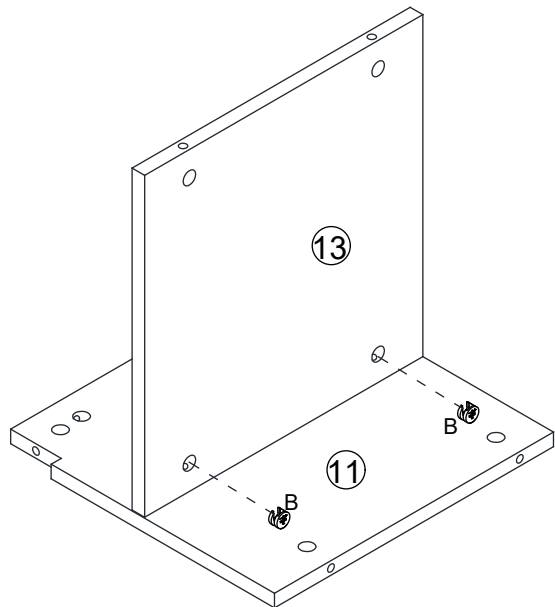
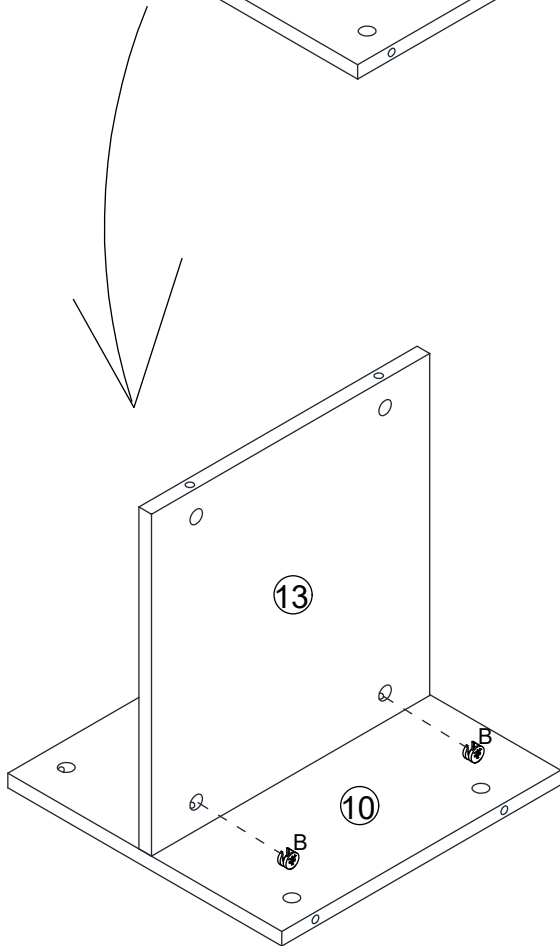
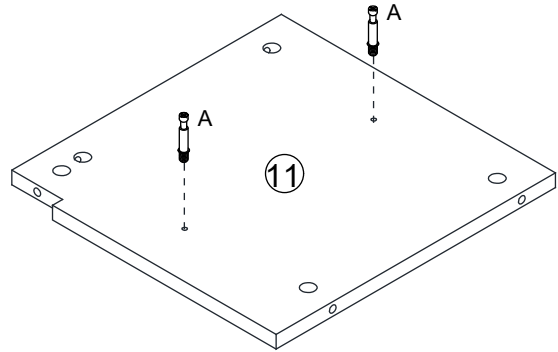
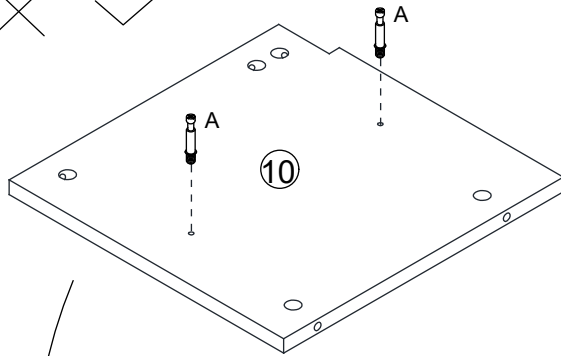
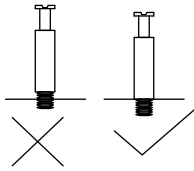
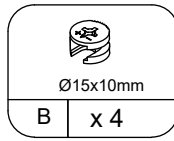
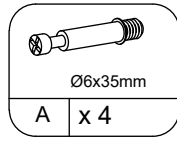
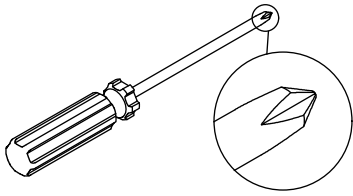
STEP 4



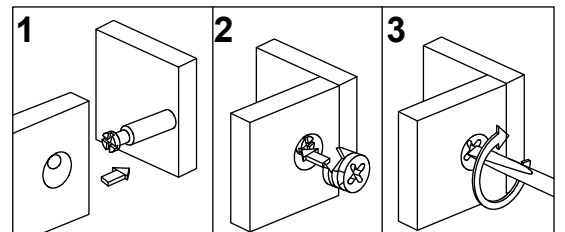
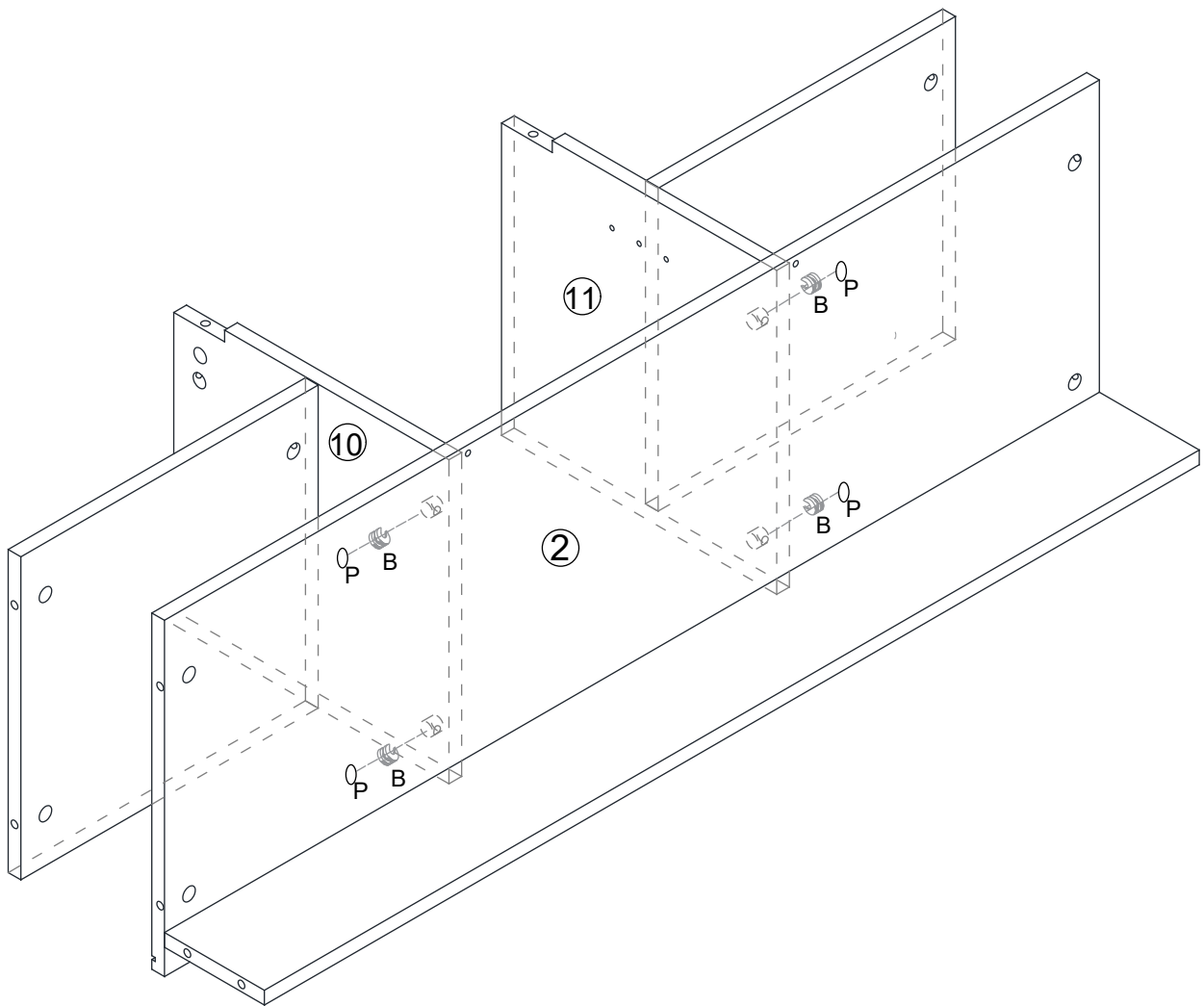
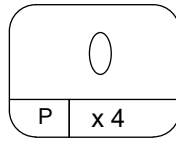
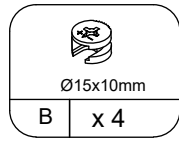
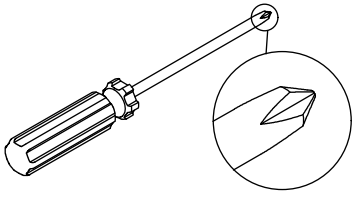
STEP 5



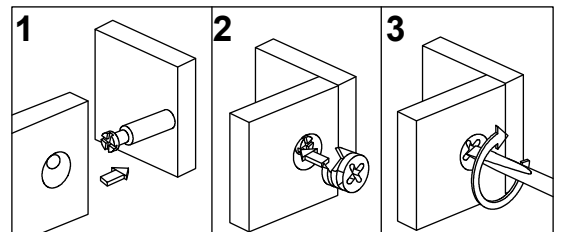
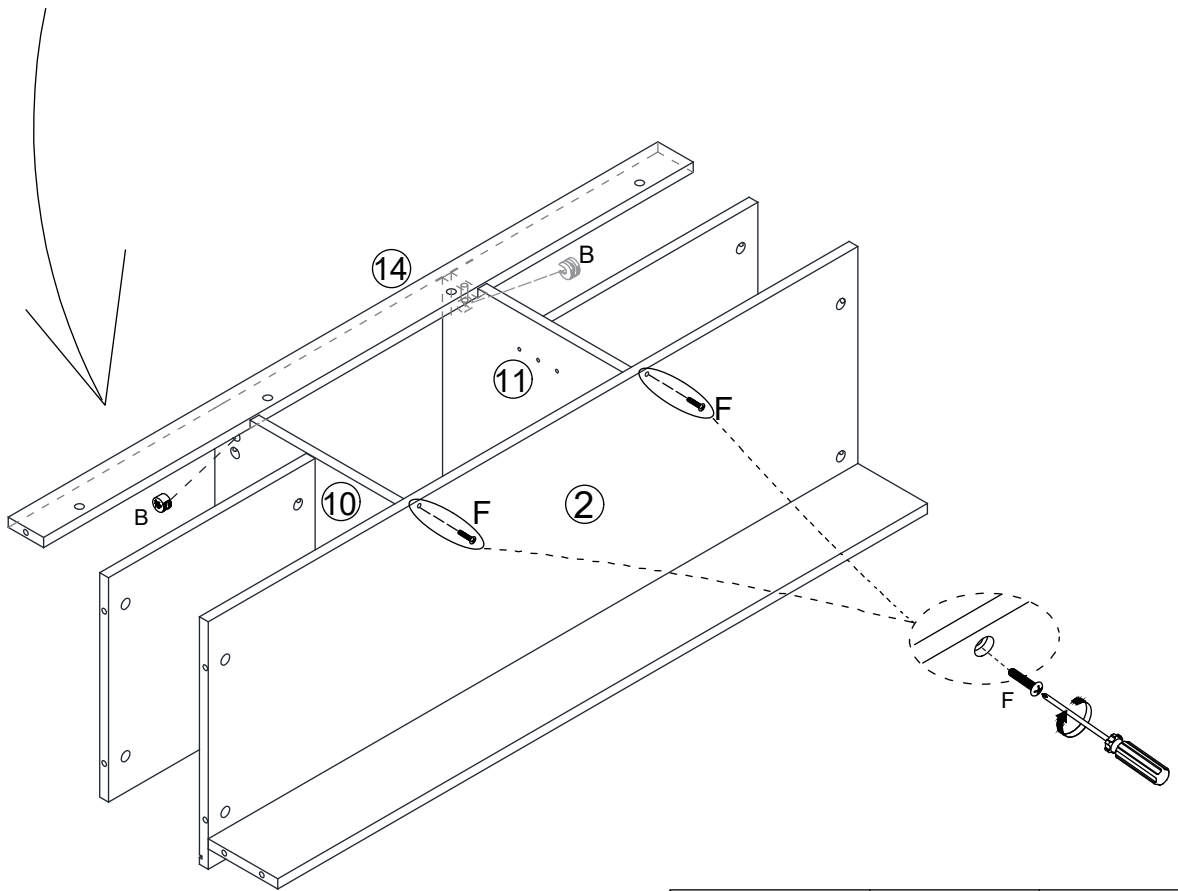
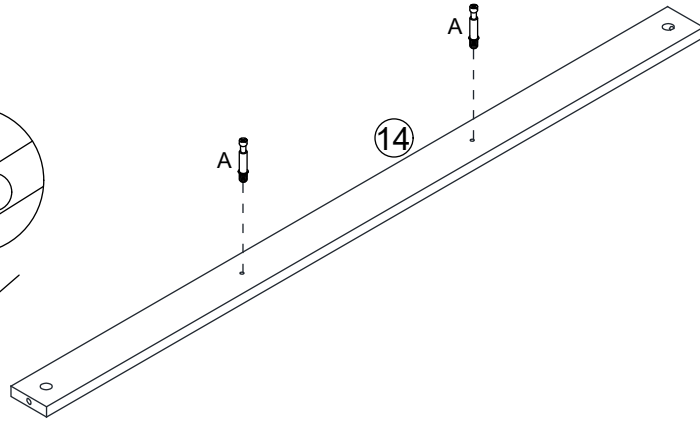
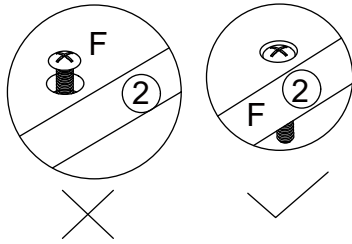
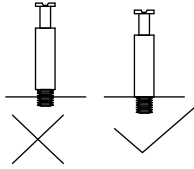
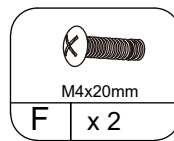
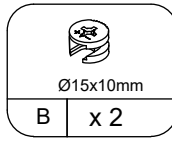
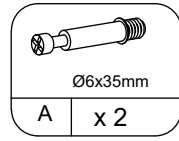
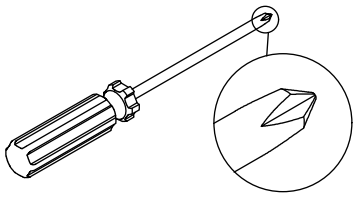
STEP 6



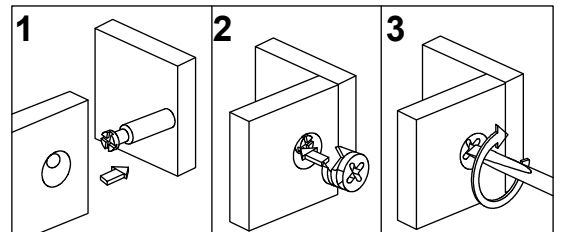
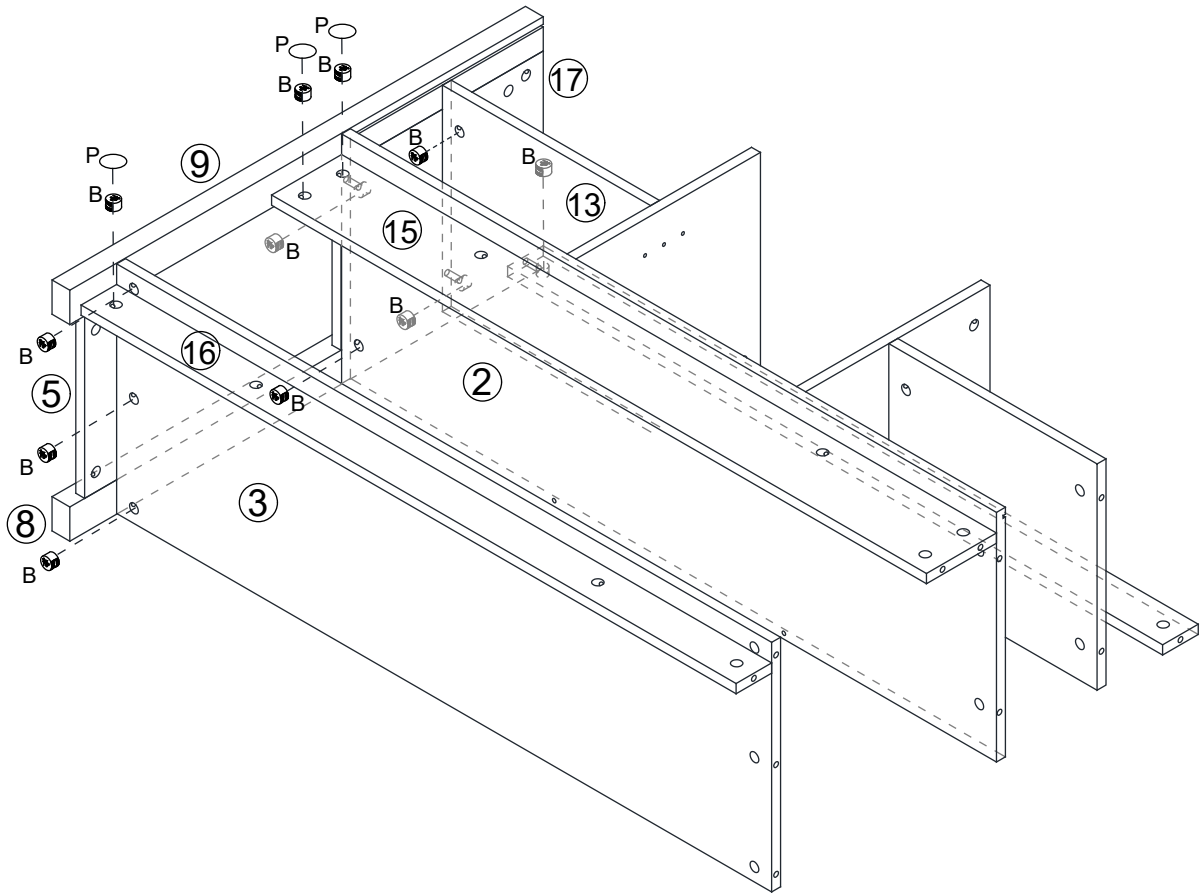
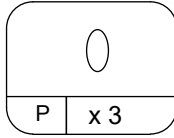
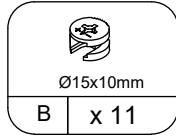
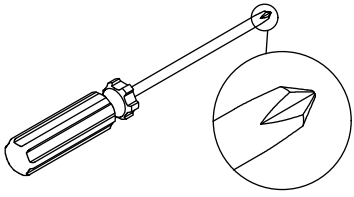
STEP 7



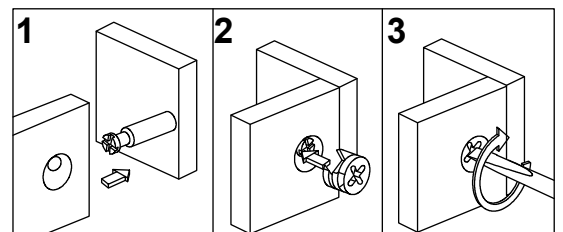
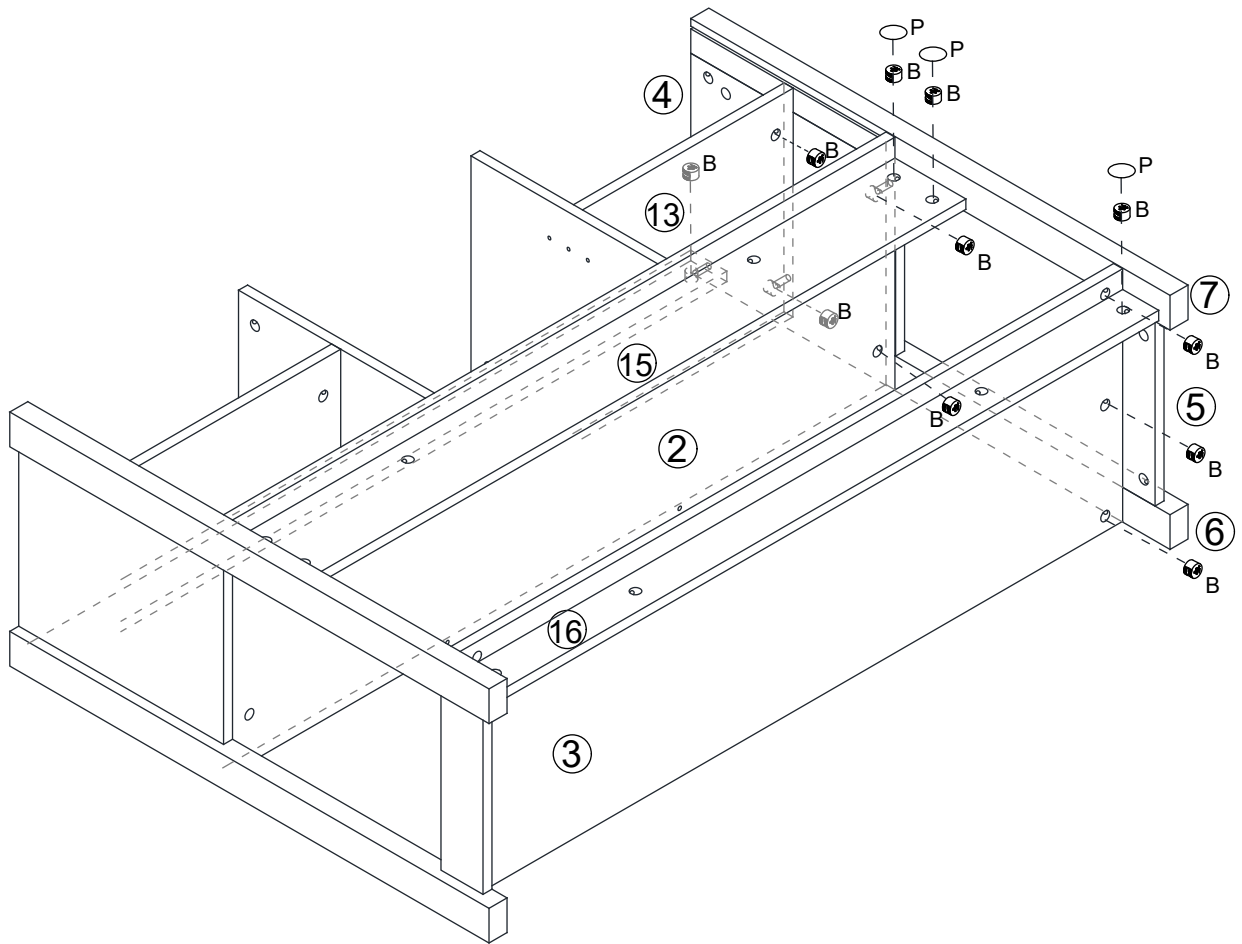
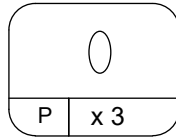
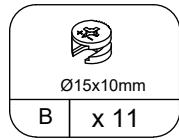
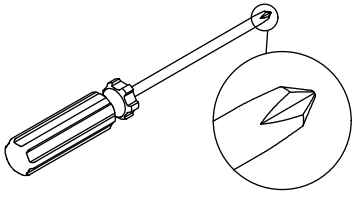
STEP 8



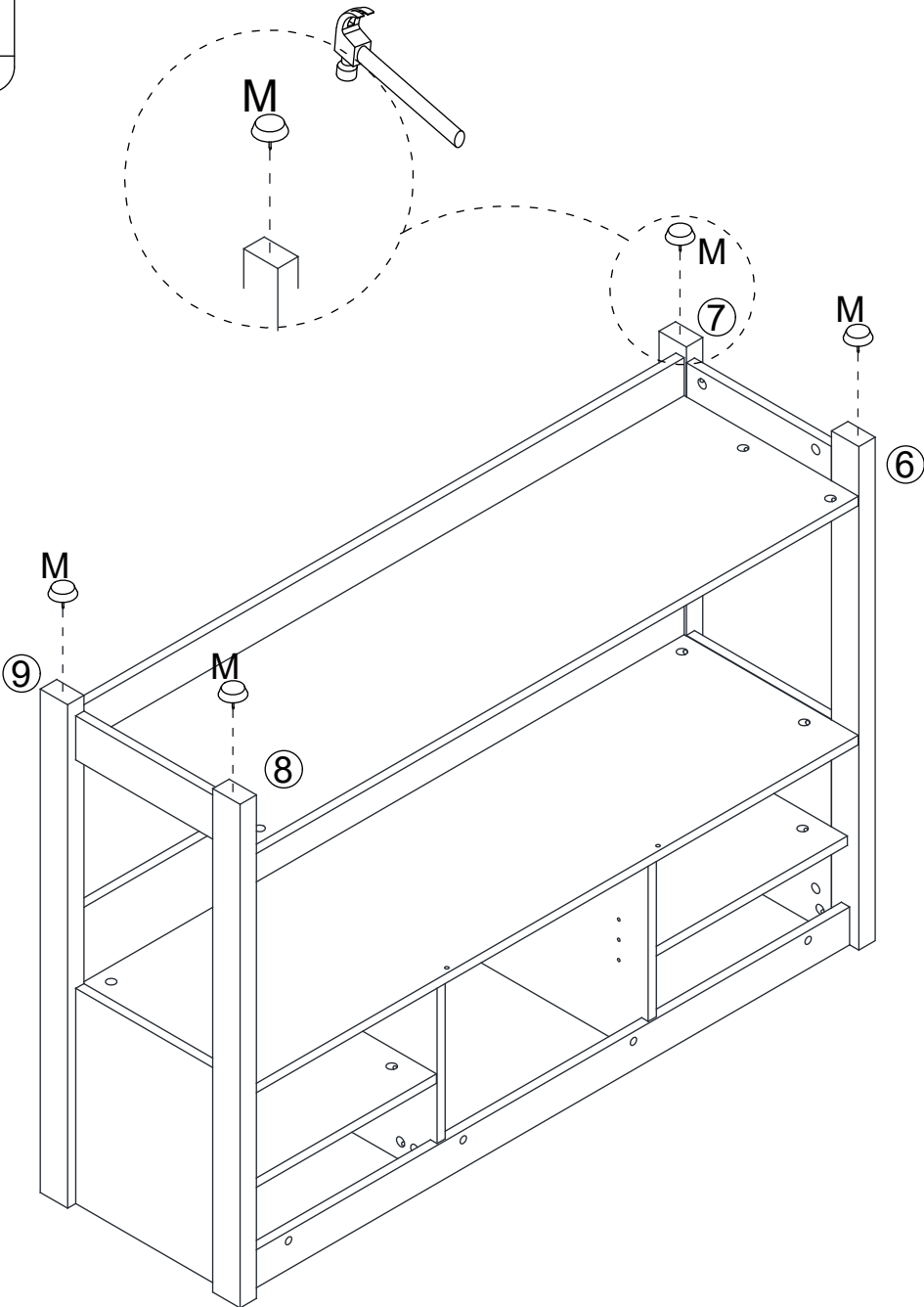
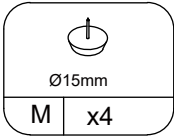
STEP 9



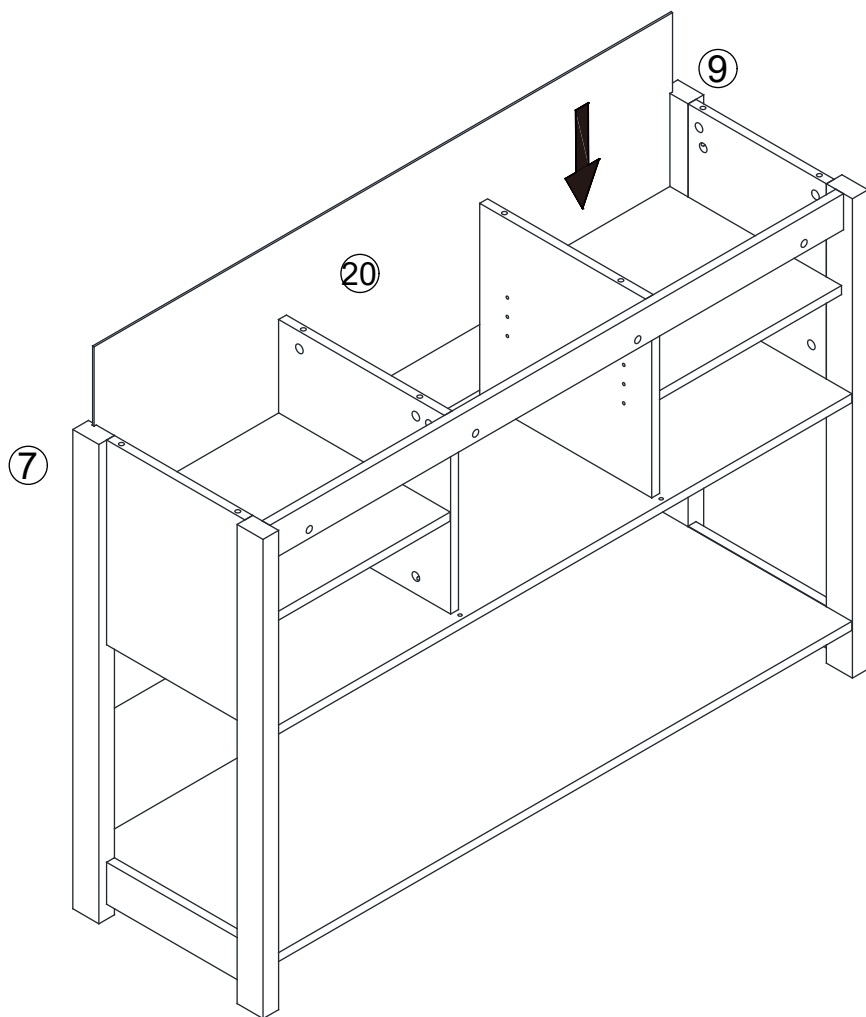
STEP 10



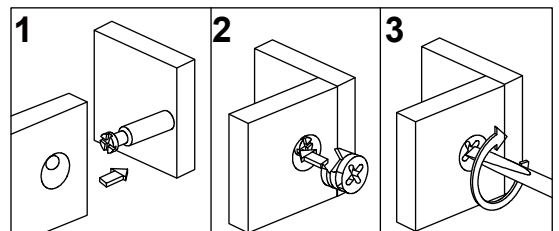
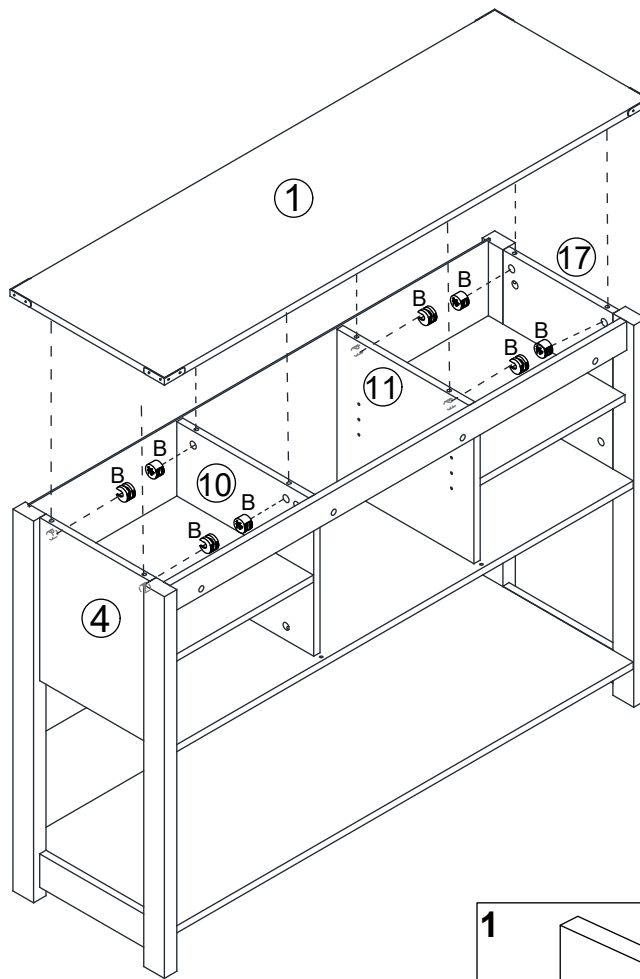
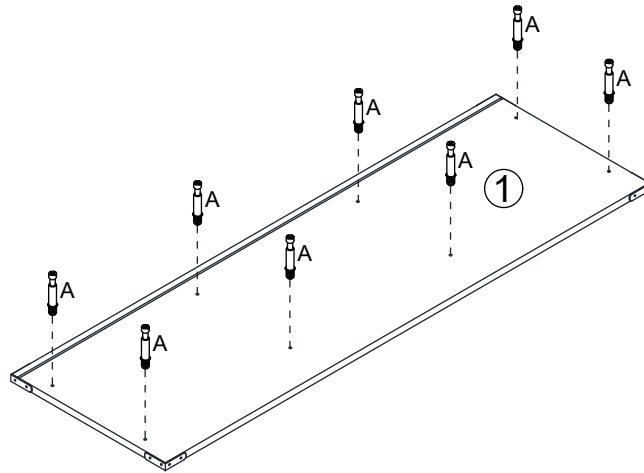
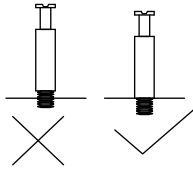
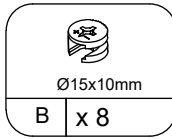
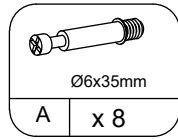
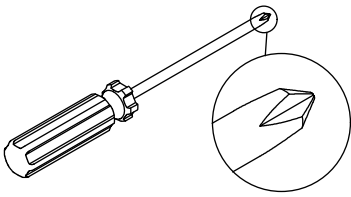
STEP 11



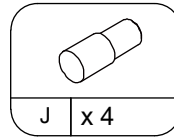
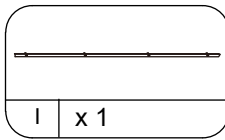
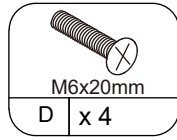
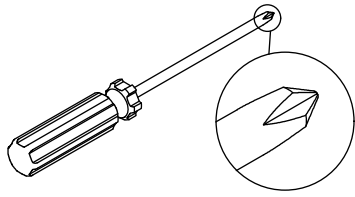
STEP 12



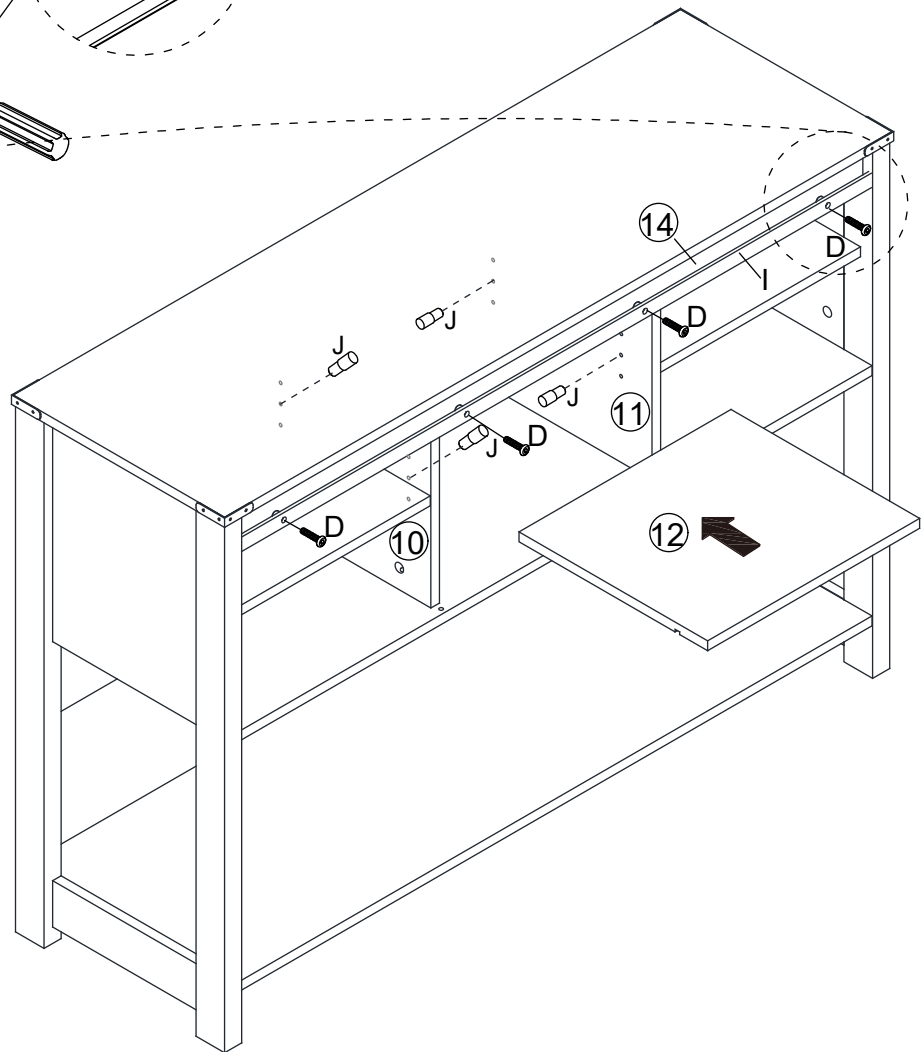
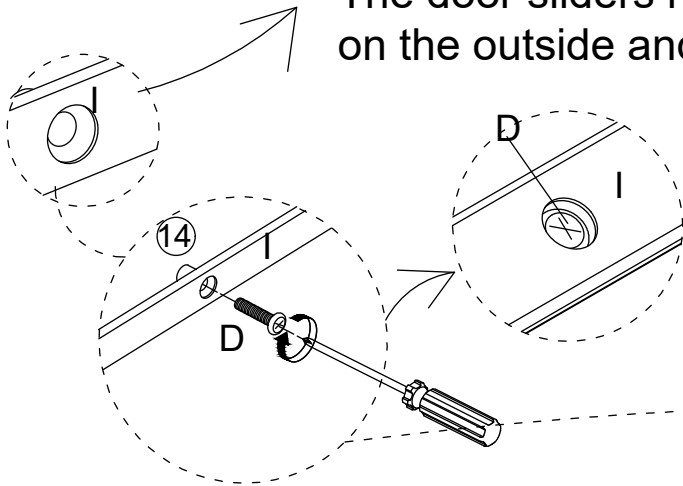
STEP 13



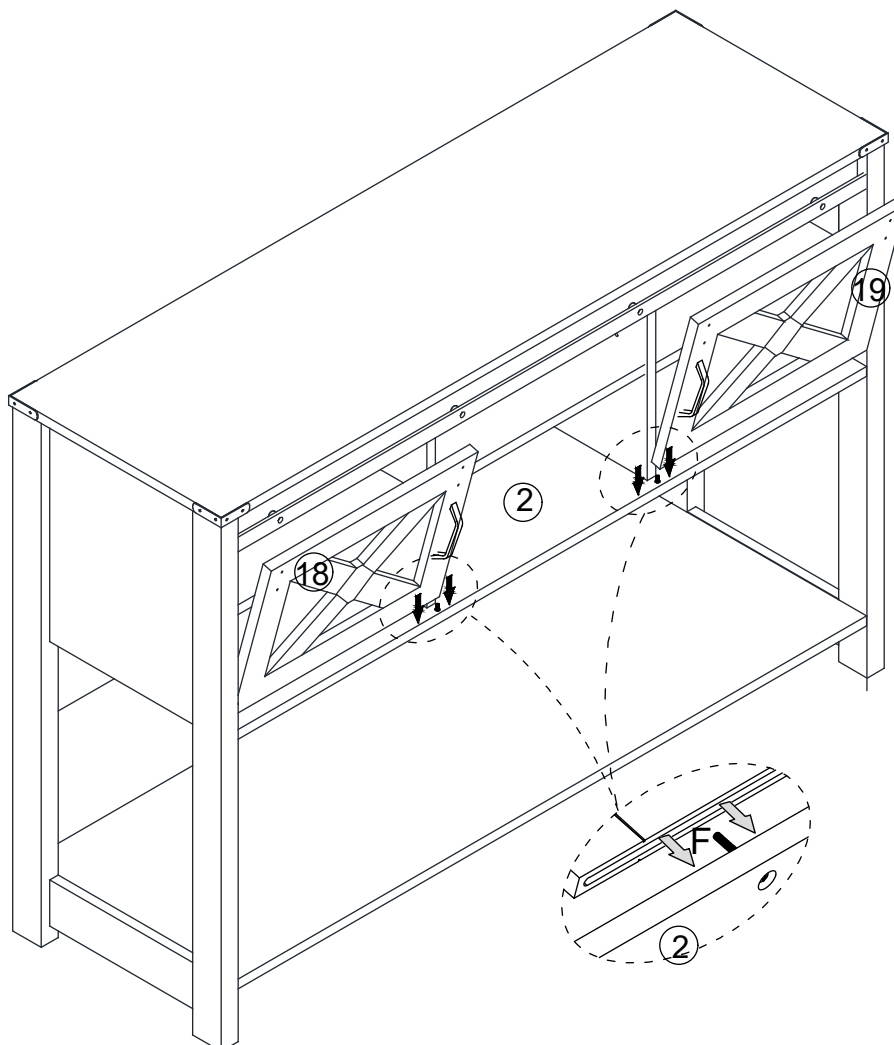
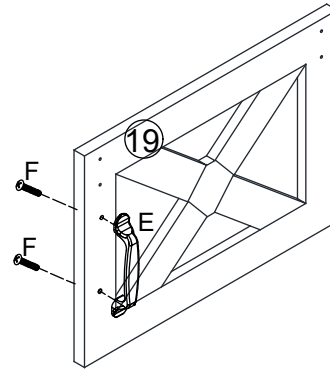
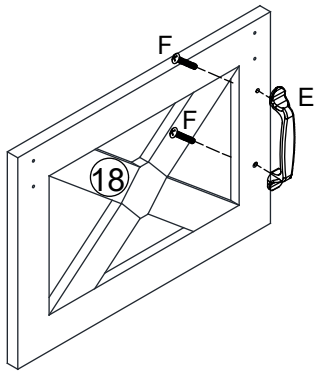
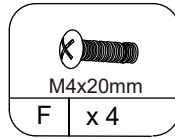
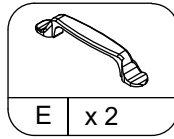
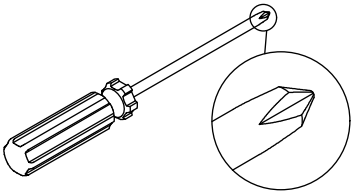
STEP 14



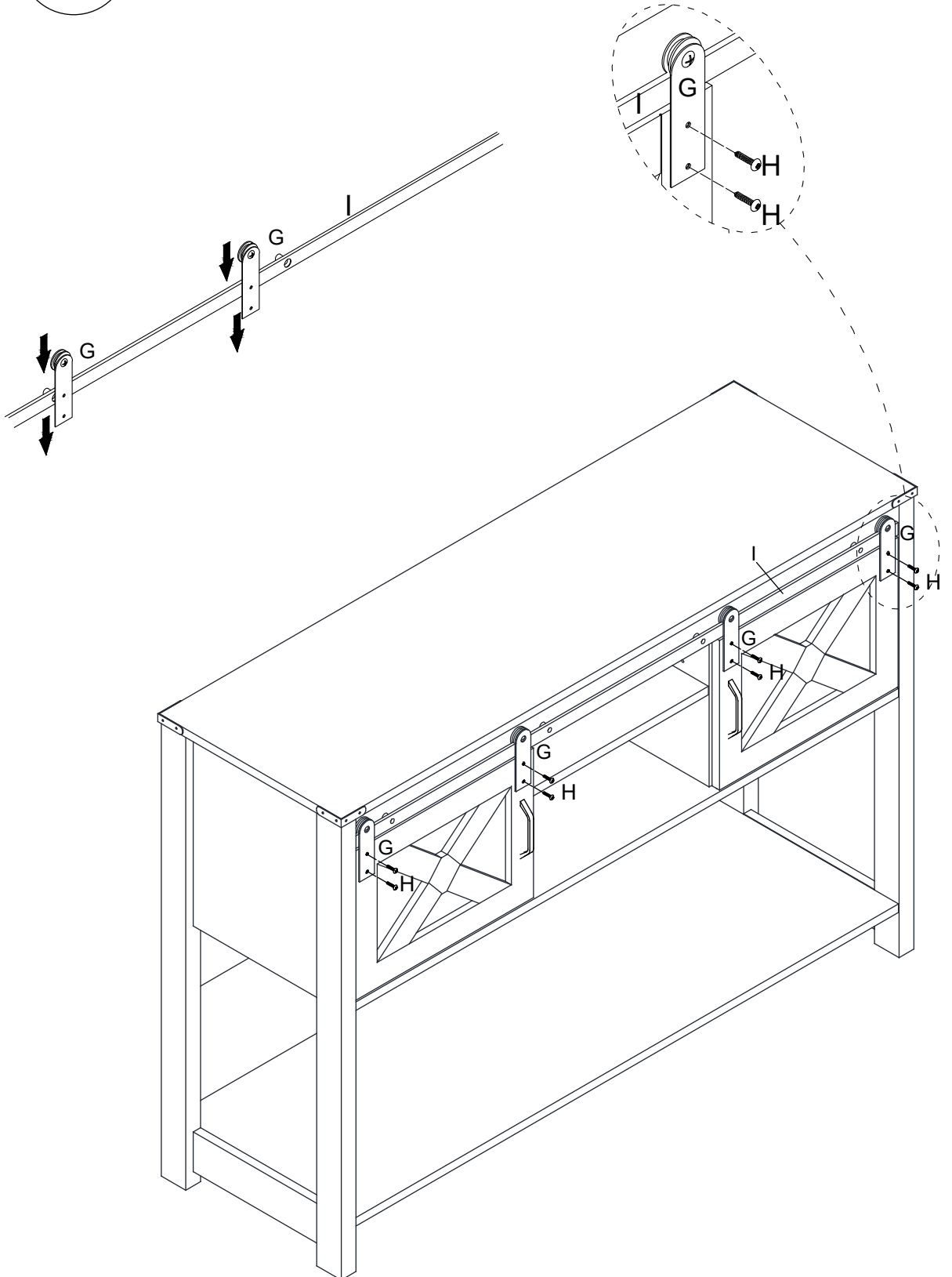
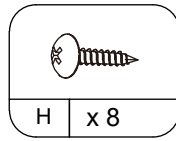
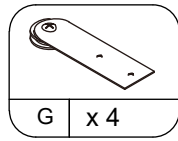
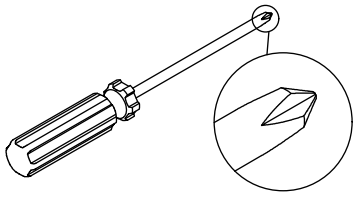
The door sliders have large holes on the outside and small holes on the inside



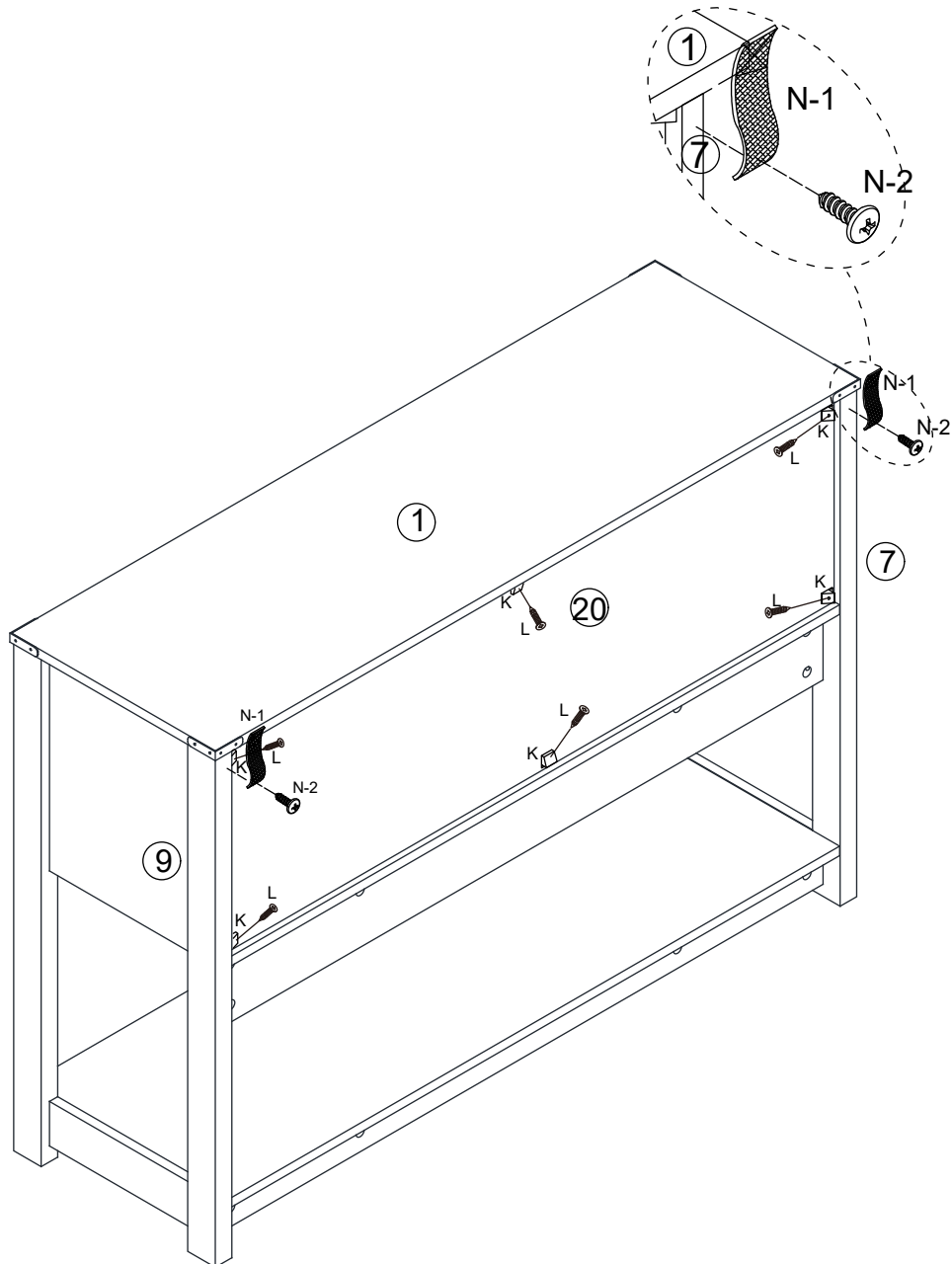
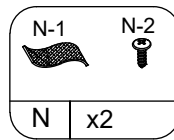
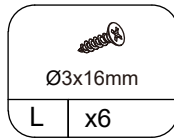
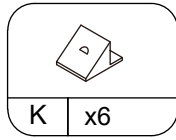
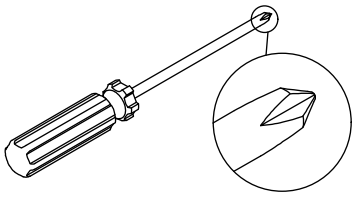
STEP 15



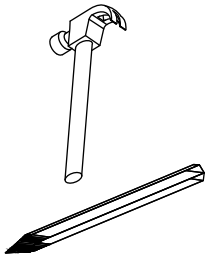
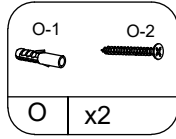
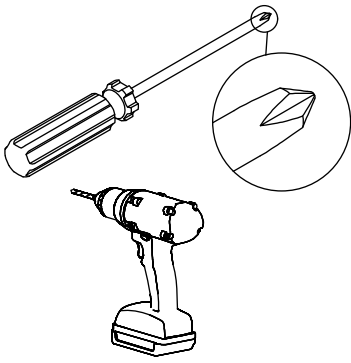
STEP 16



STEP 17



STEP 18



WALL

