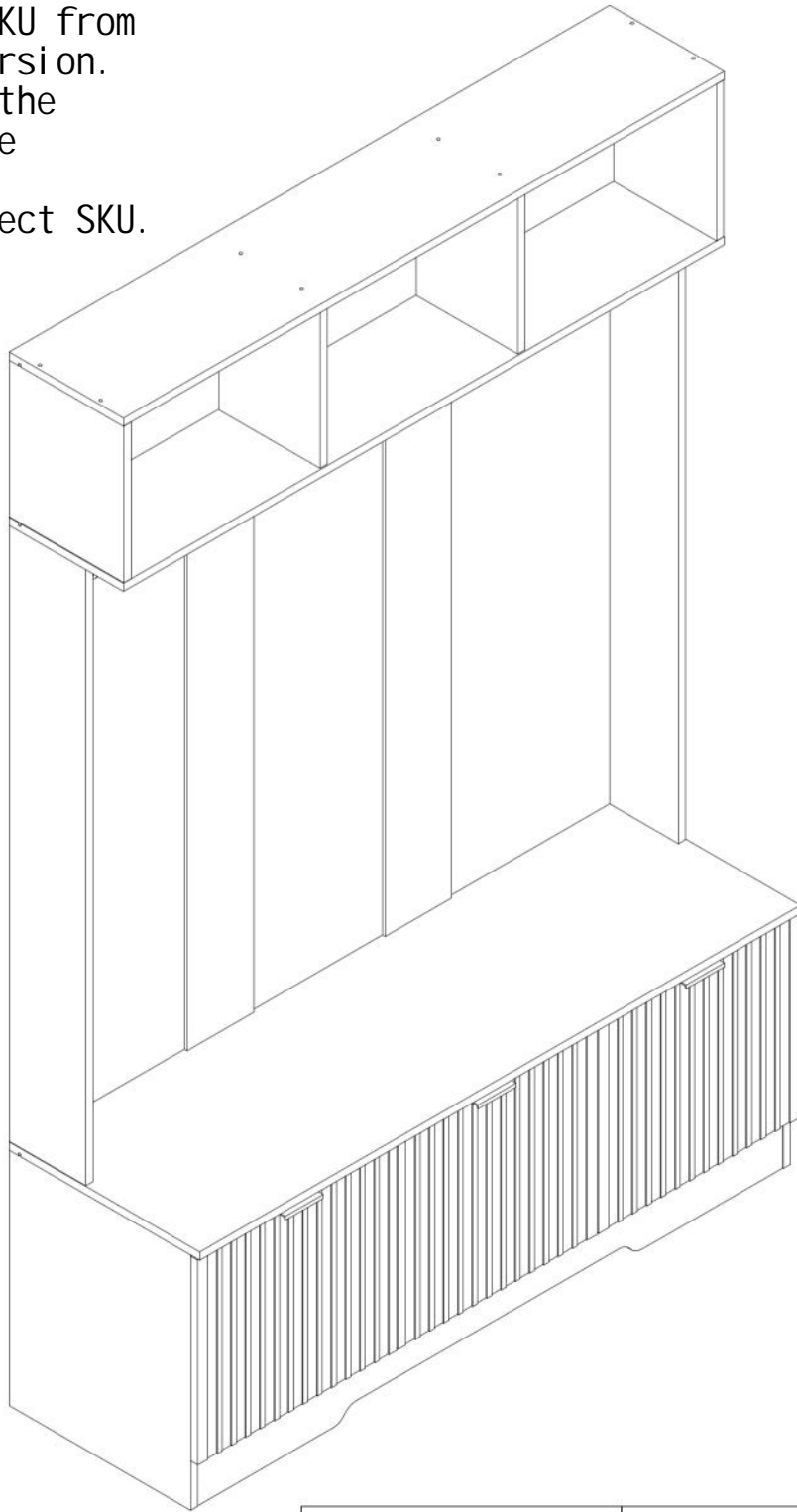


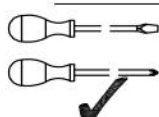



# Installation instruction

Note: Due to a printing error, the paper manual has a different SKU from the electronic version. We apologize for the inconvenience. The electronic manual contains the correct SKU.



 2PERS	 60 MIN	<b>Tool Required Not Provided</b>	
			



[EN]

**Warning:** Please read instructions fully before starting assembly. Check you have all the components and tools listed on pages.

**Warning:** Please place all parts on a flat surface. Place a soft blanket or similar underneath to protect against scratches or stains. Avoid dragging or sliding components across the floor.

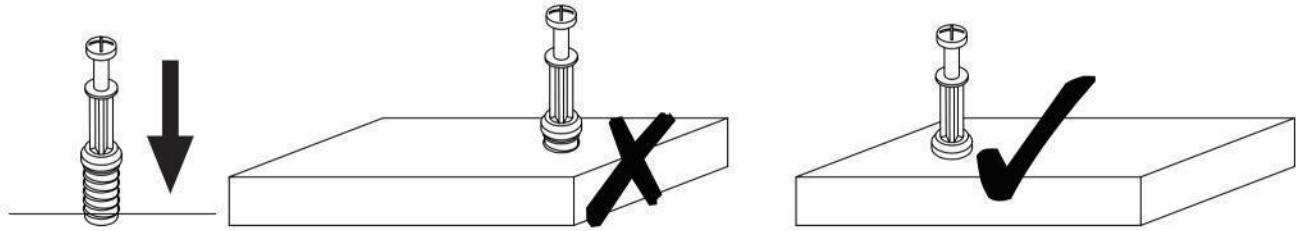
**Warning:** Regularly check all fittings and fastenings to ensure they are secure and to prevent accidents. If any parts are missing, broken, damaged, or worn, discontinue use of the product until repairs have been made using factory authorized parts.

**Warning:** Do not allow children to climb on the furniture as this may result in tipping and serious personal injury. Assemble the furniture away from the reach of children.

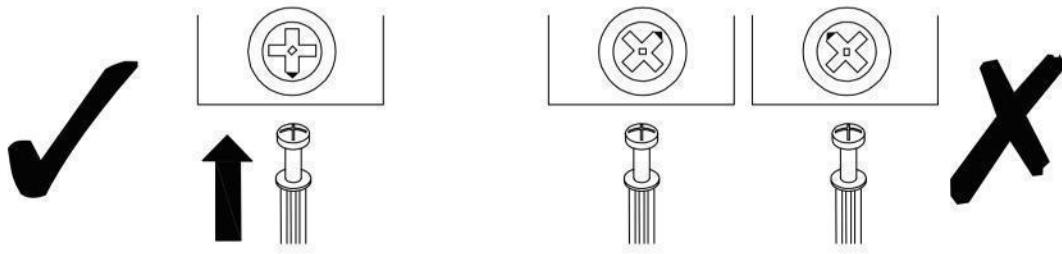
**Warning:** Do not place furniture close to fire sources or high-temperature objects to avoid the risk of fire

**Warning:** Clean furniture with a damp cloth or alcohol, avoid using cleaning agents containing corrosive chemicals.

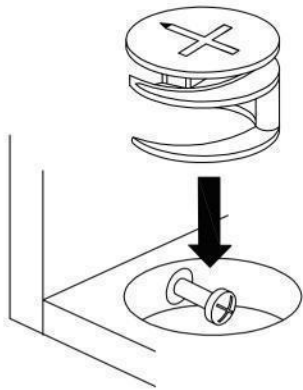
**Warning:** This product is equipped with an anti-tilt device. Please be sure to install this device to prevent unnecessary injuries caused by tipping.



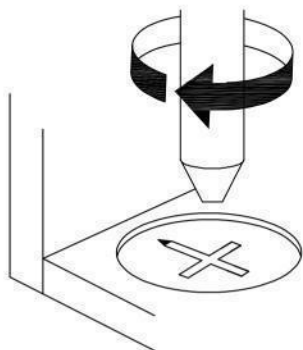
EN\_QUICKFIT: Tighten quickfit until shoulder is flush with panel. Do not overtighten or undertighten.



EN\_CAM LOCK: When fitting cam lock, ensure starting position is correct before you insert connecting quickfit.

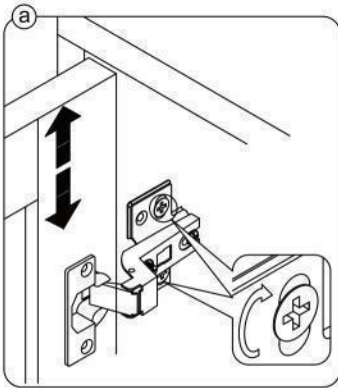


EN\_Quickfit head should be in the centre of the cam lock when the two panels are joined.  
Cam lock should be inserted before quickfit.



EN\_Turn cam lock clockwise to tighten.

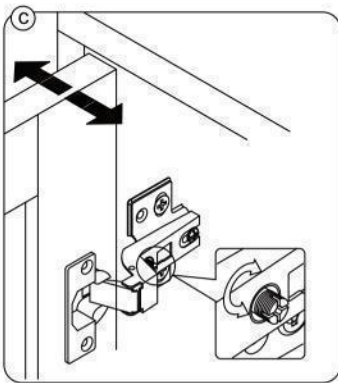
EN\_ It may be necessary to adjust the hinges so that the doors align. Use the instructions below as a guide.



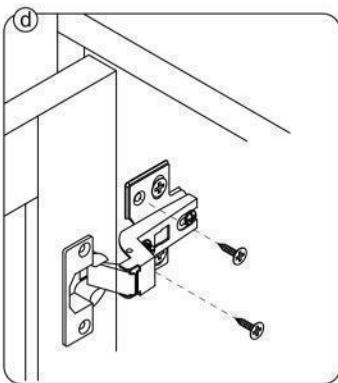
EN\_ To adjust the door vertically loosen the screw as shown and move up and down as needed.



EN\_ To adjust the gap from the door to the main frame turn the screw clockwise or anti-clockwise as needed.

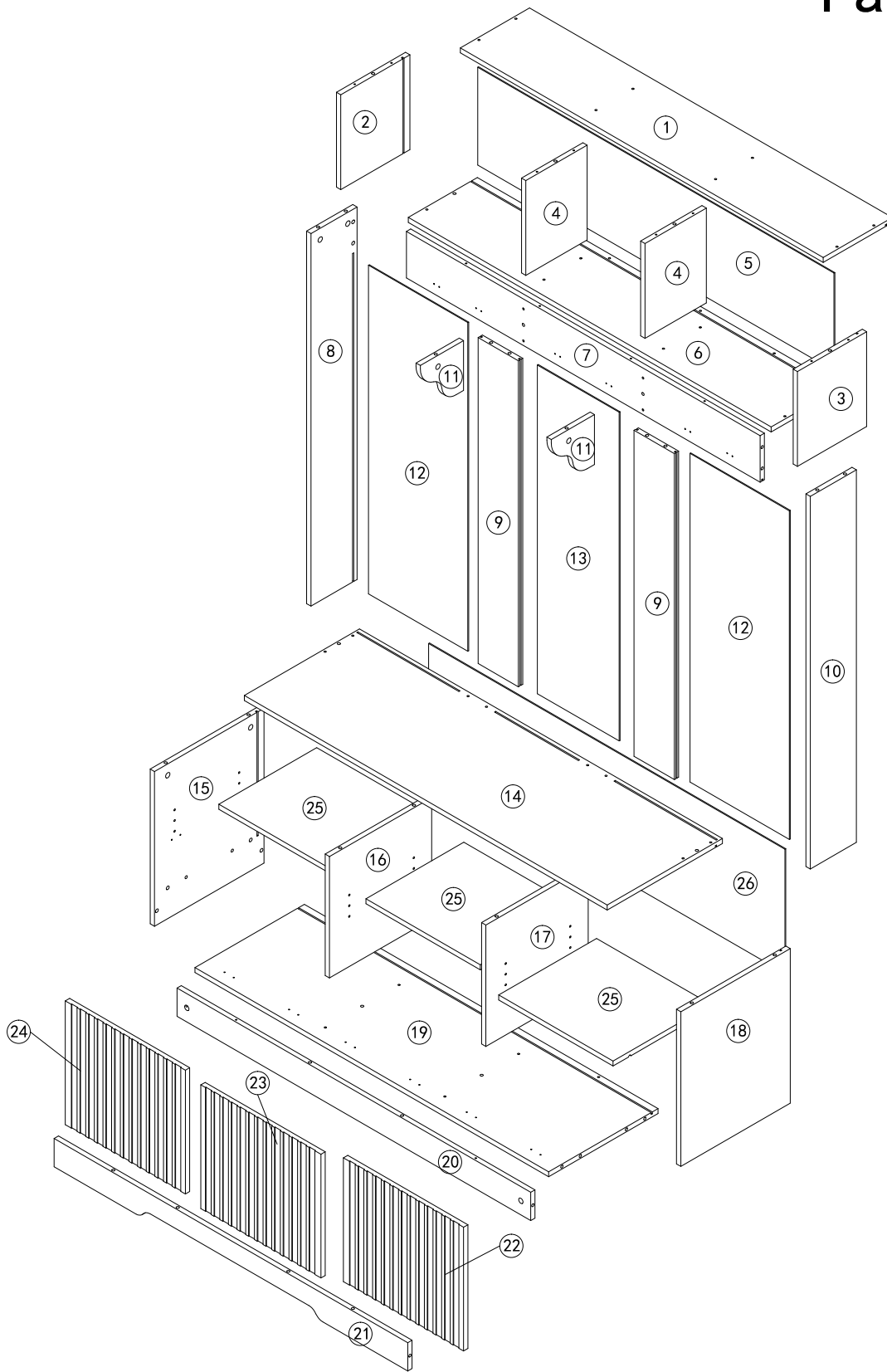


EN\_ To adjust the door laterally adjust the screw as shown by turning clockwise or anti-clockwise.




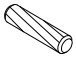
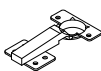




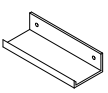
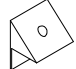





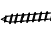
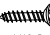


EN\_ Please fix other screws

# Parts List



## Hardware

<b>A</b> 32pcs 	<b>B</b> 32pcs 	<b>C</b> 36pcs  40*5mm	<b>D</b> 20pcs  40*8mm	<b>E</b> 6pcs 	<b>F</b> 6pcs 	<b>G</b> 12pcs  14*5mm	<b>H</b> 64pcs  N Ø20
<b>I</b> 112pcs  14*3.5mm	<b>J</b> 3pcs 	<b>K</b> 46pcs 	<b>L</b> L1 6pcs  L2 3+1pcs 	<b>M</b> 1pc  M3	<b>N</b> 4sets  L1  L2  L3  L4 35*3.5mm 14*3.5mm		

1



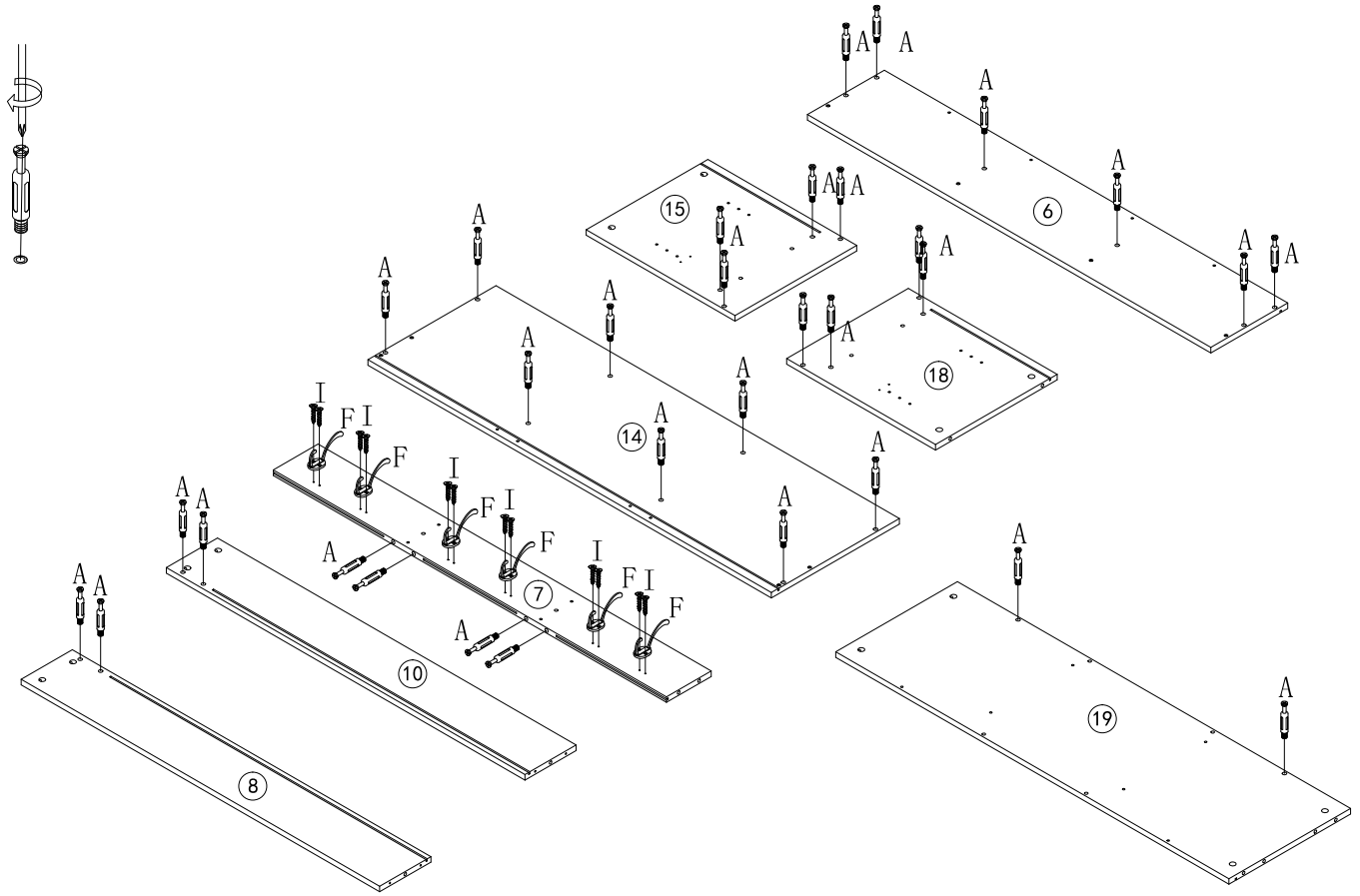
32pcs



12pcs



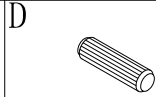
6pcs



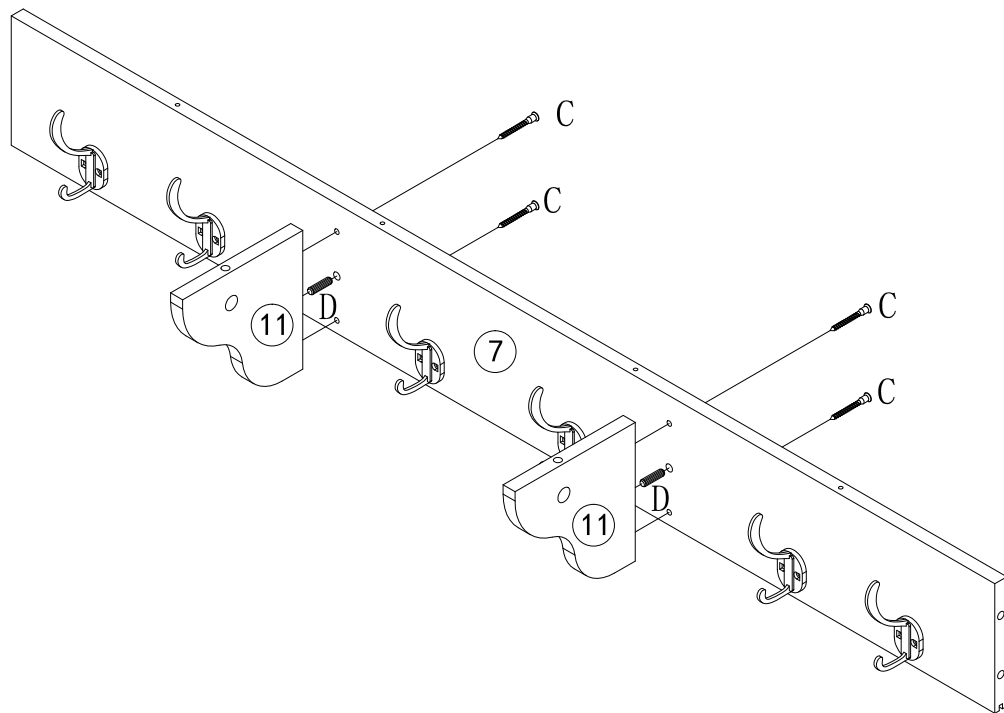
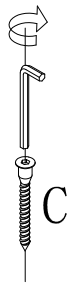
2



4pcs



2pcs

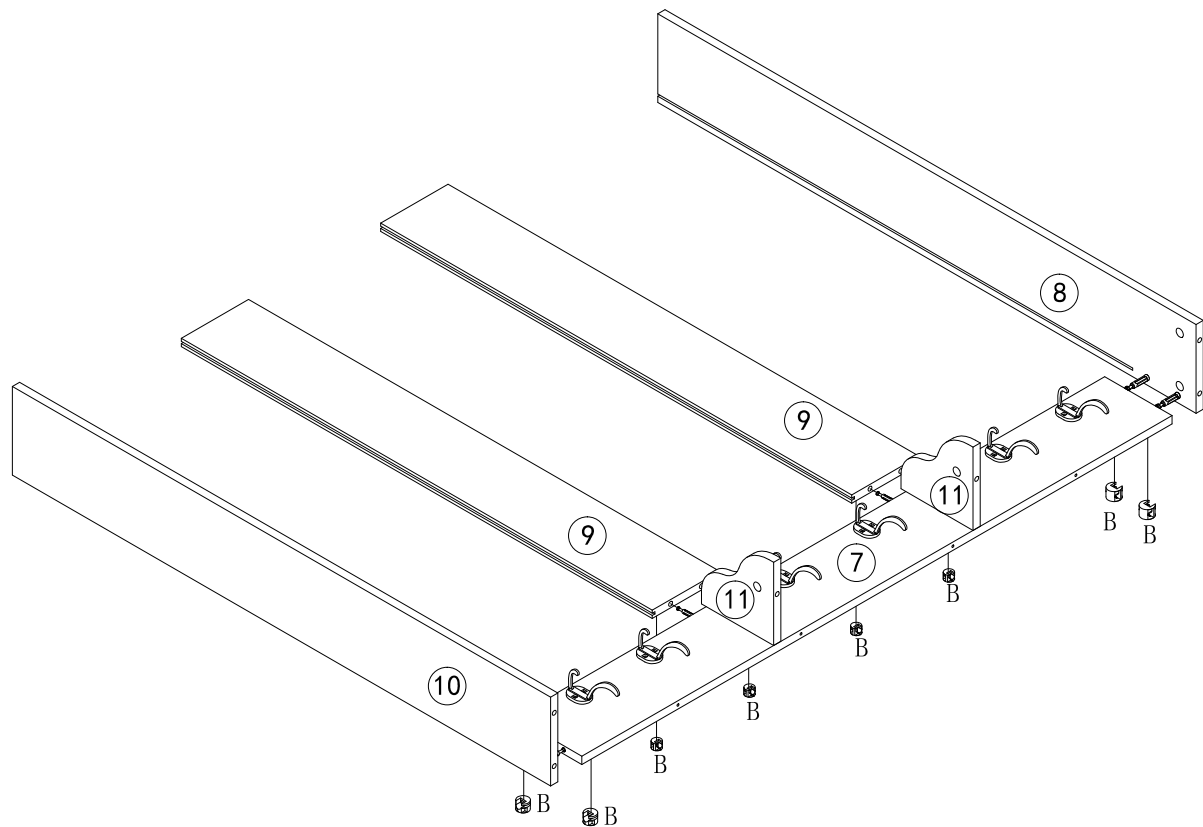


3

B



8pcs



4

C

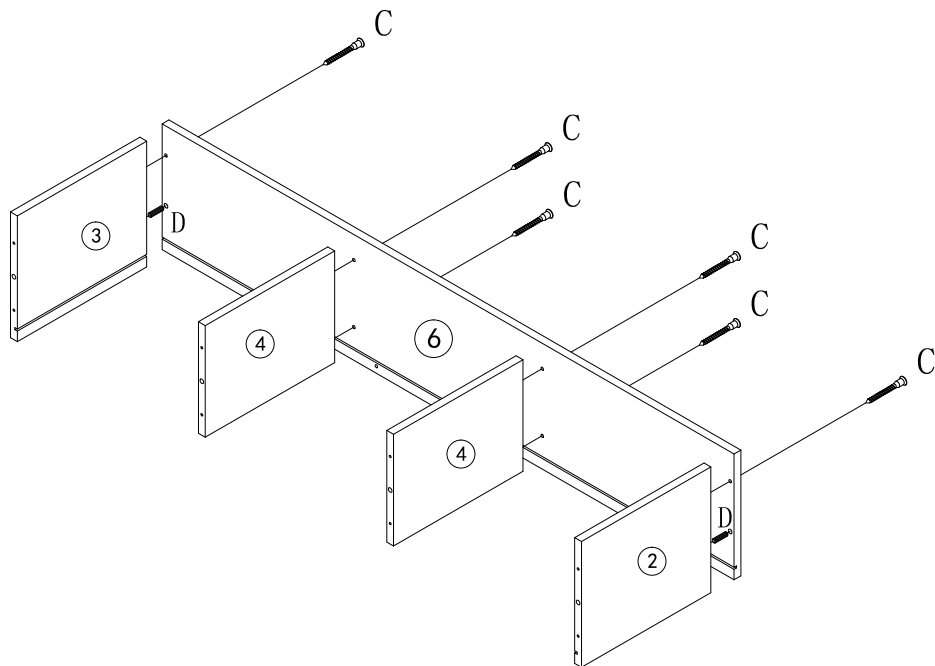
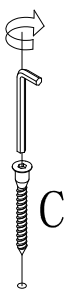


6pcs

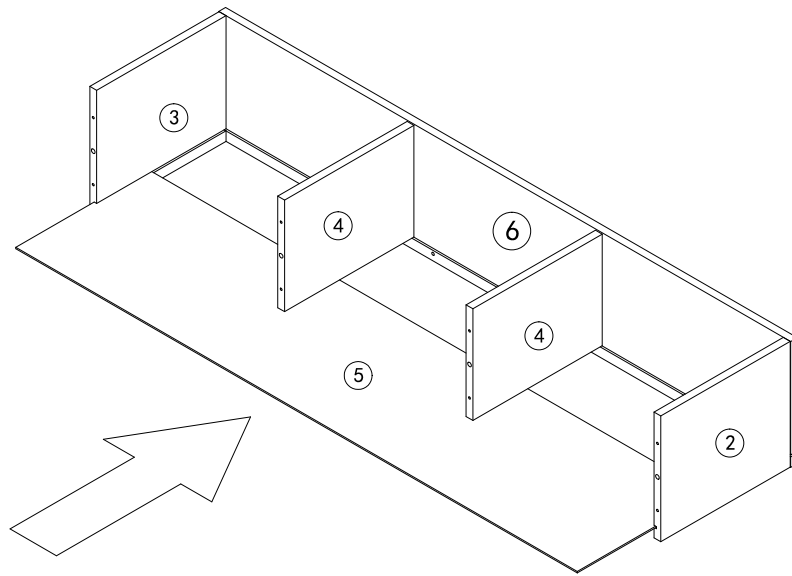
D



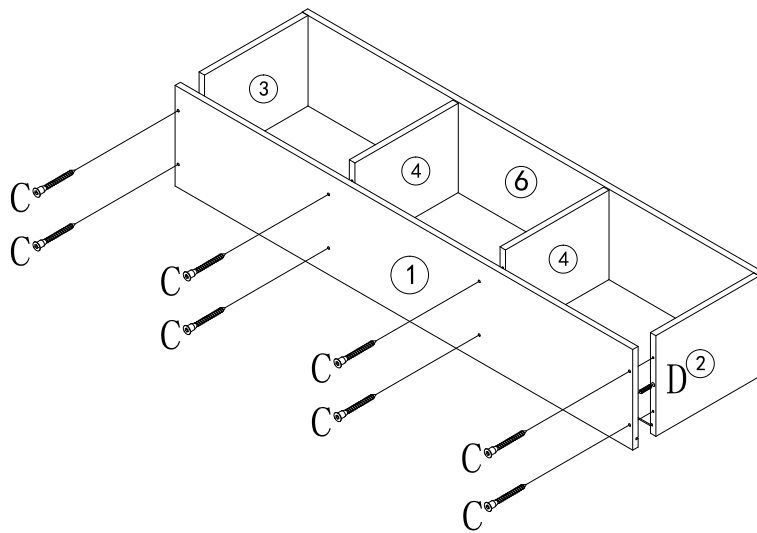
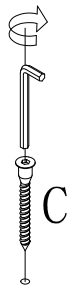
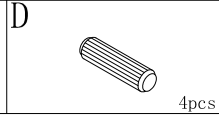
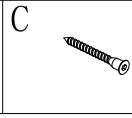
2pcs



5



6



7

B

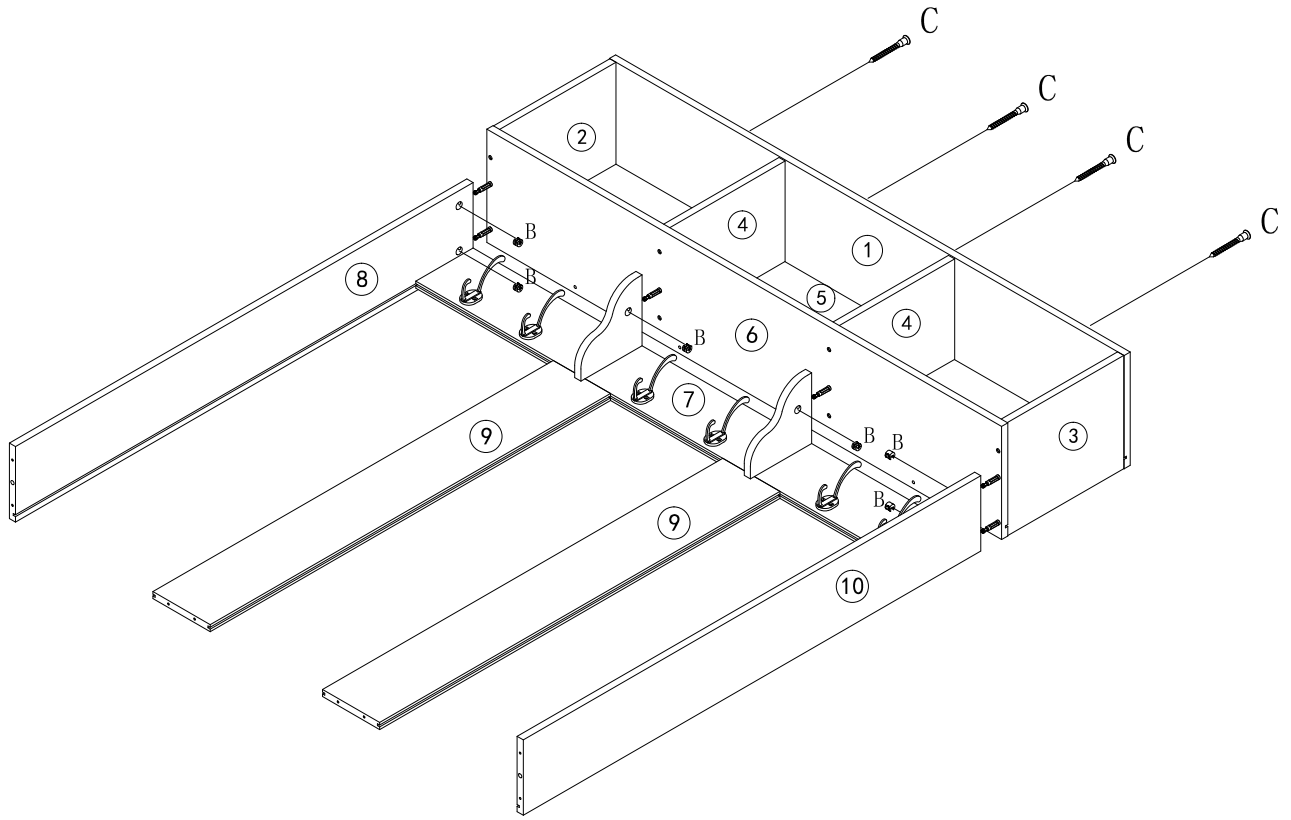


6pcs

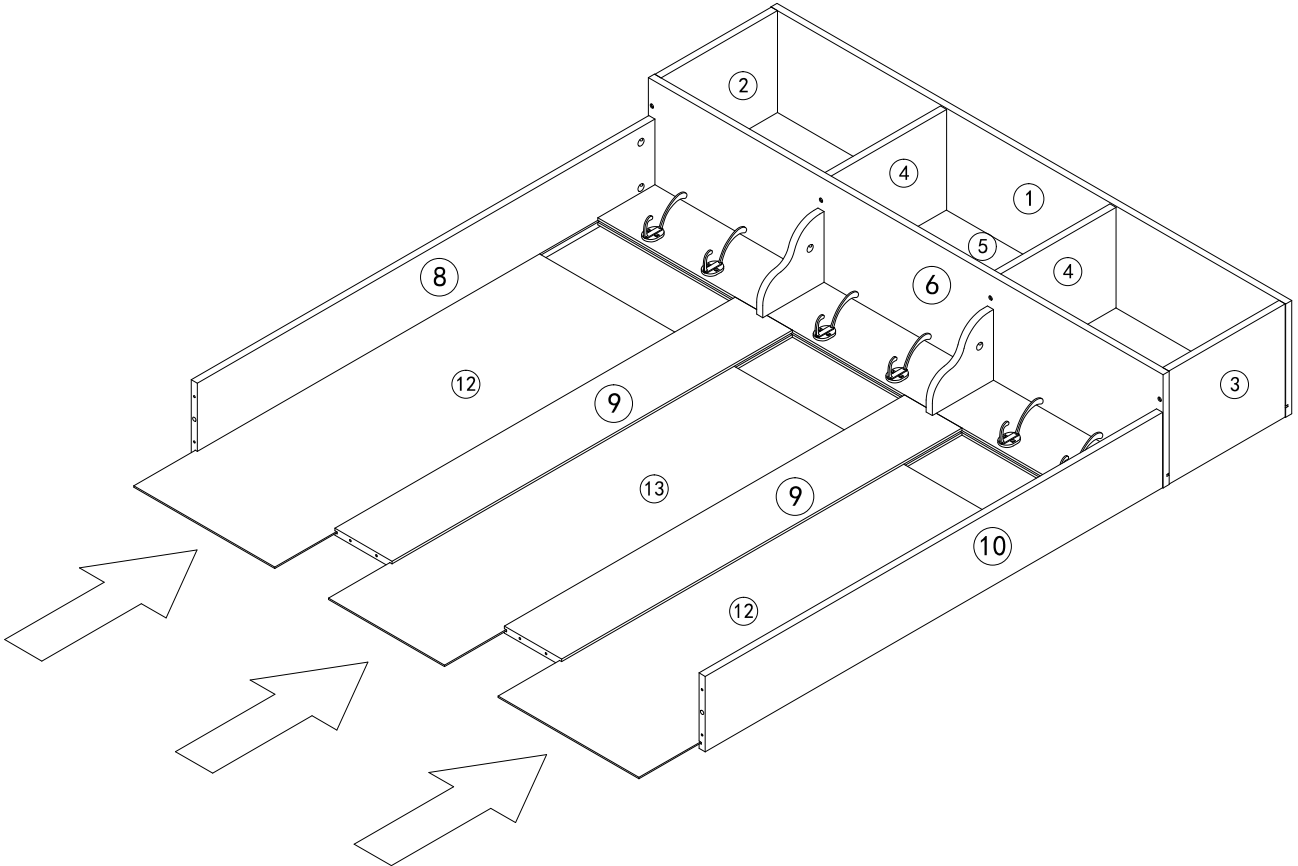
C



4pcs



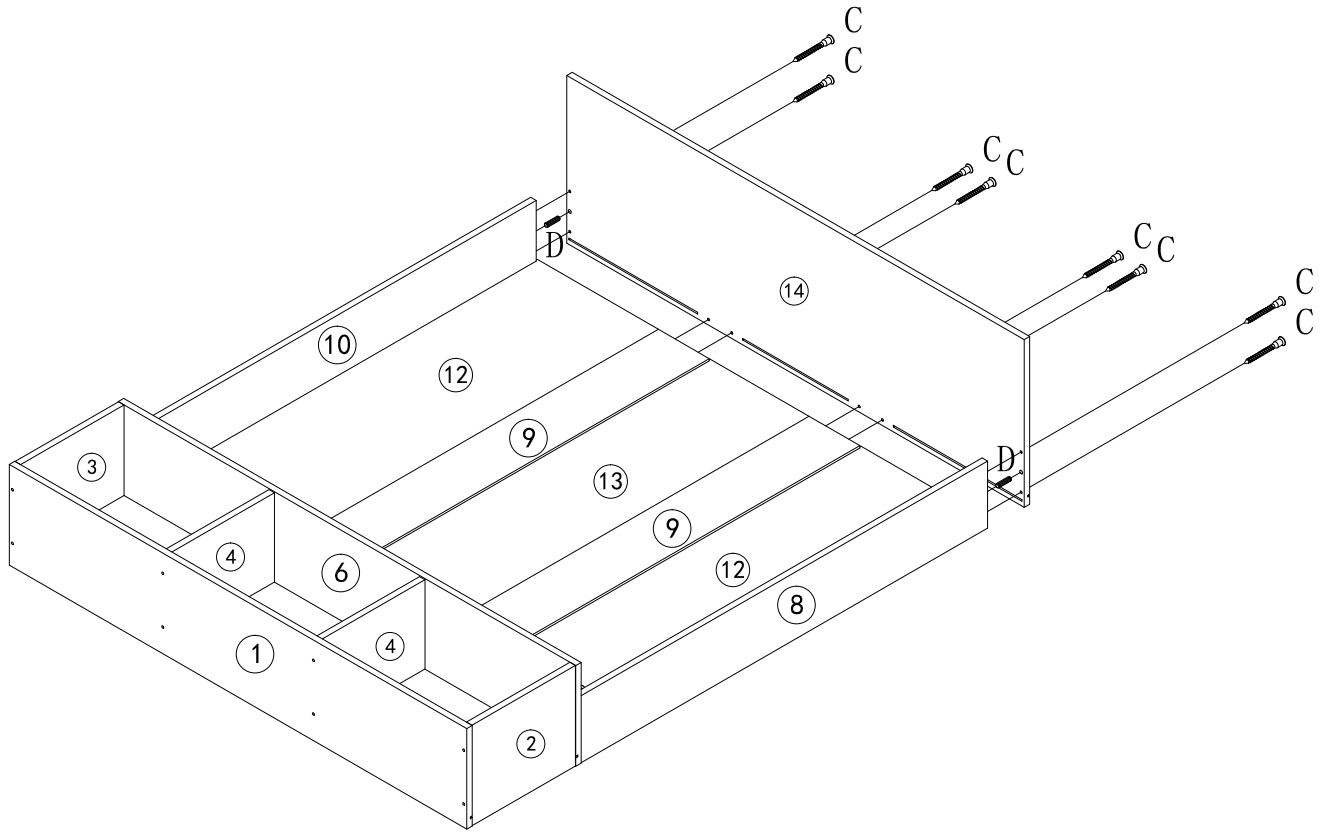
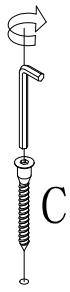
8



9

C  
8pcs

D  
2pcs

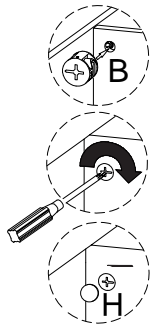
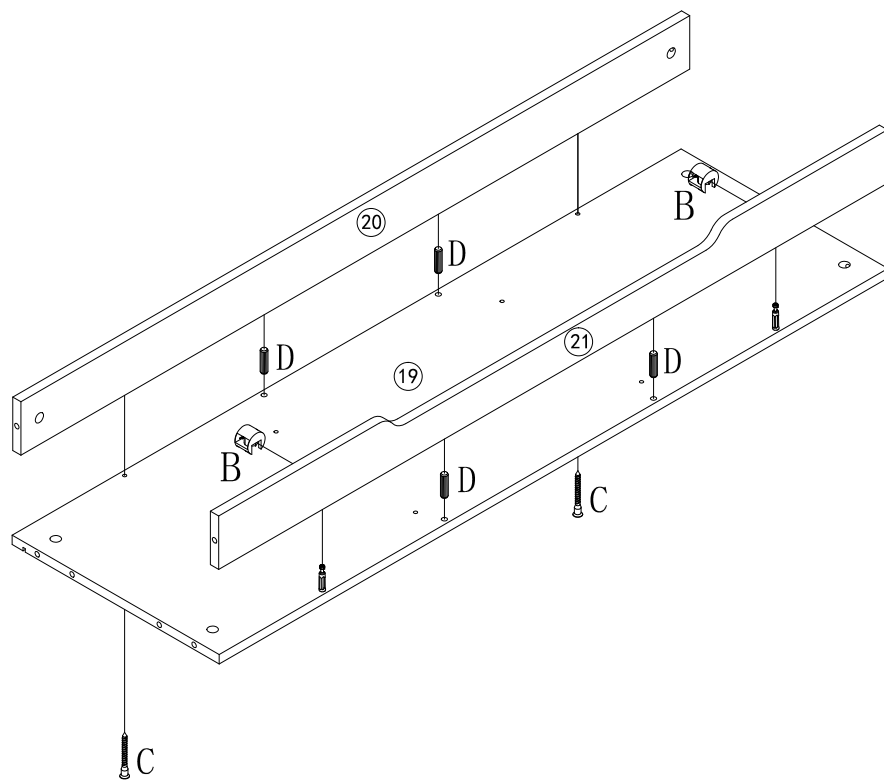
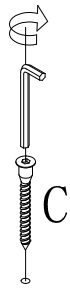


10

B  
2pcs

C  
2pcs

D  
4pcs



11

B



8pcs

C

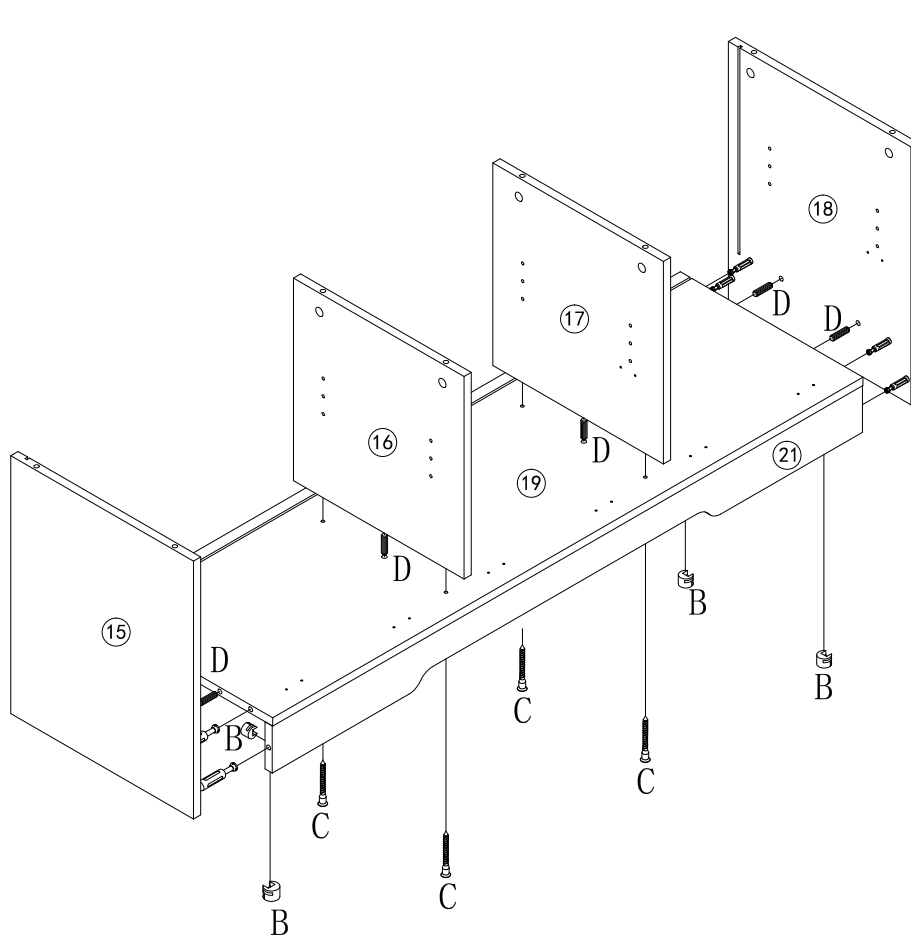


4pcs

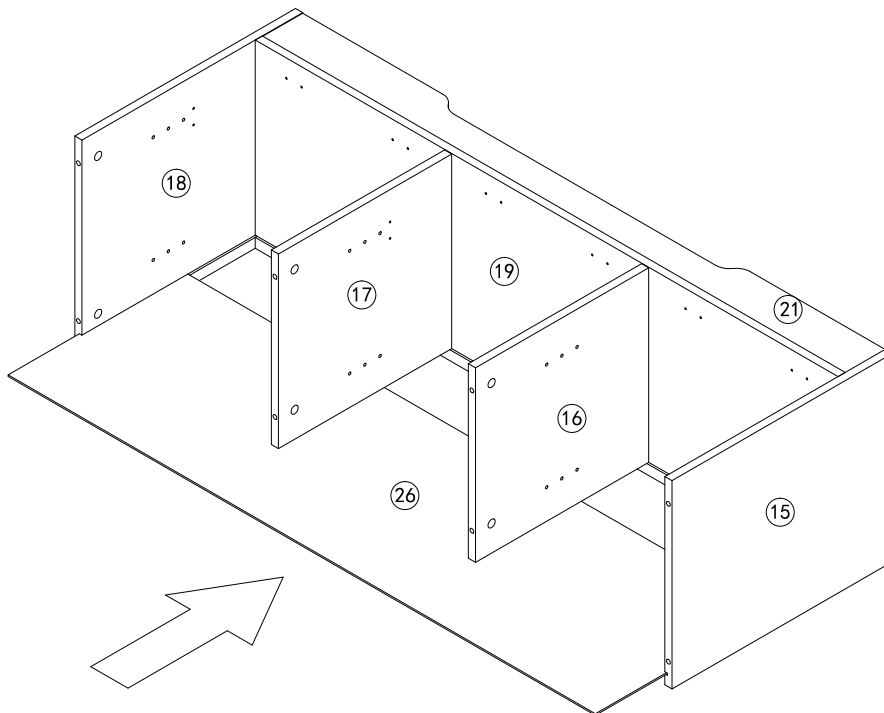
D



6pcs



12

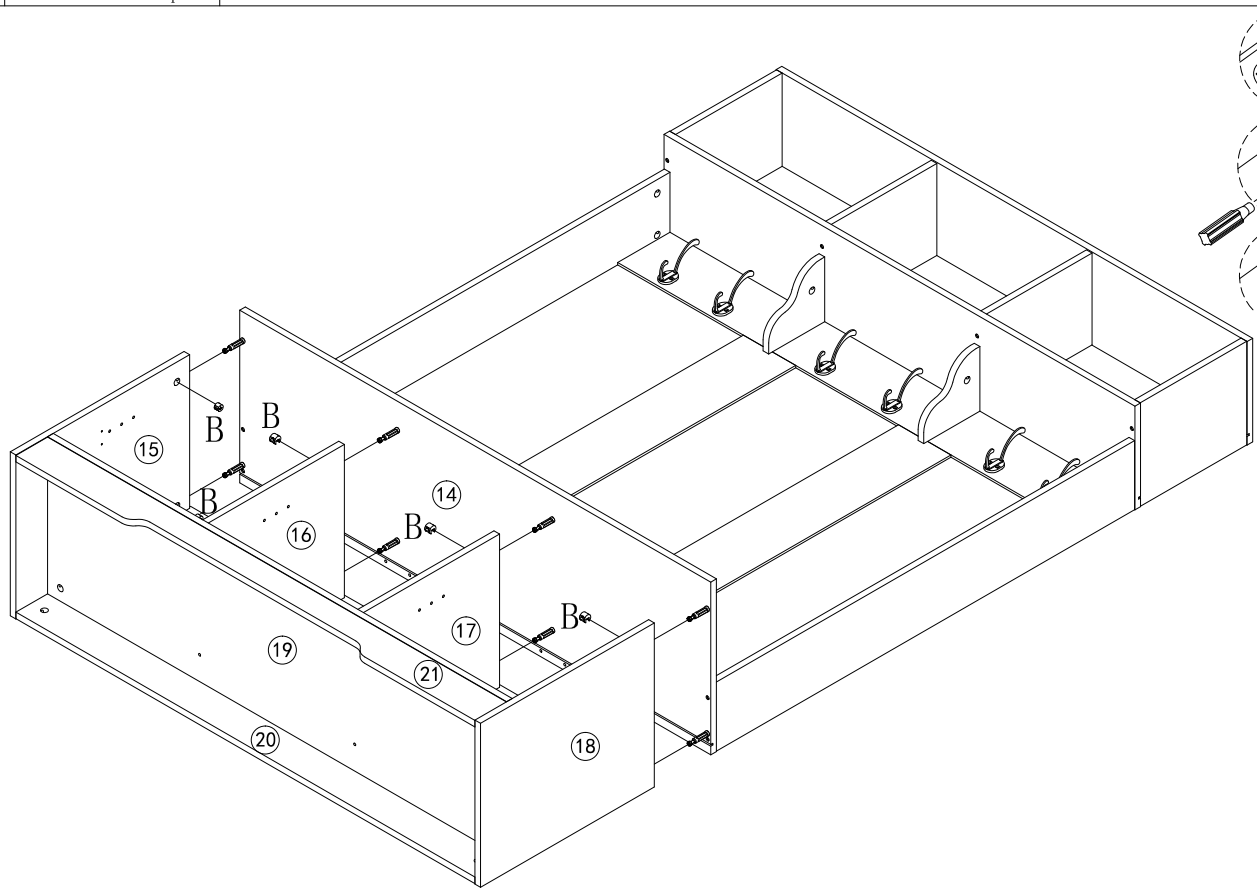


13

B

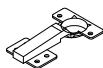


8pcs



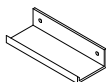
14

E



6pcs

J



3pcs

L1

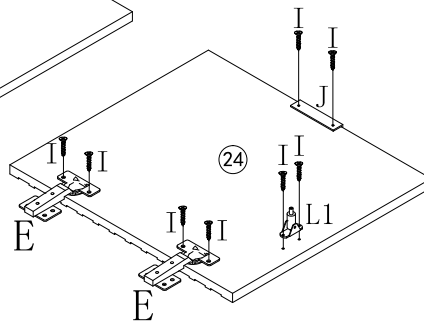
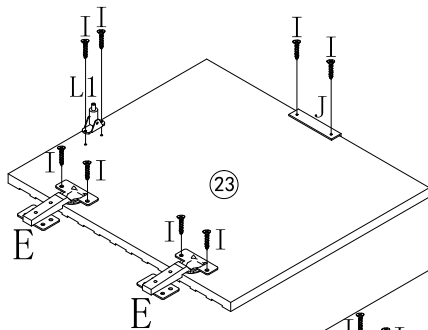
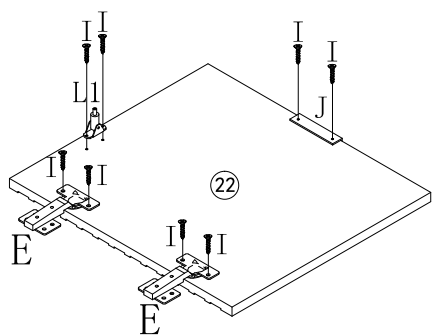


3pcs

I



24pcs



# 15

L1



3pcs

L2



3pcs

I

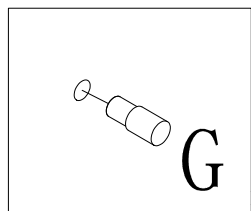
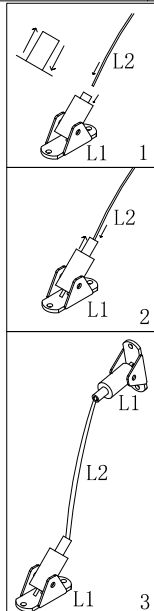


30pcs

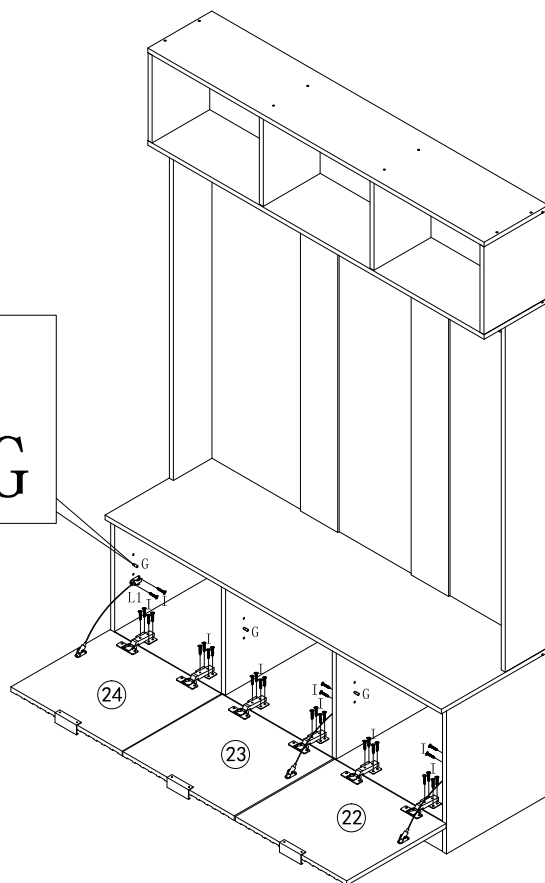
G



12pcs



G



EN

First, locate the thinner end of the head of part L1 and press it downwards. While keeping the thinner end pressed, insert L2 into the designated position. Once L2 is visible protruding from the other side, release the previously pressed thinner end. The operation is now complete.

# 16

I

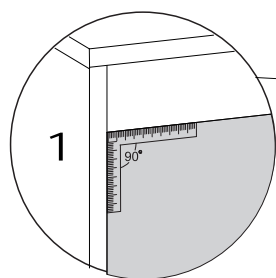


46pcs

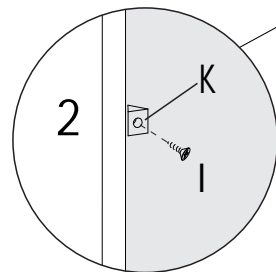
K



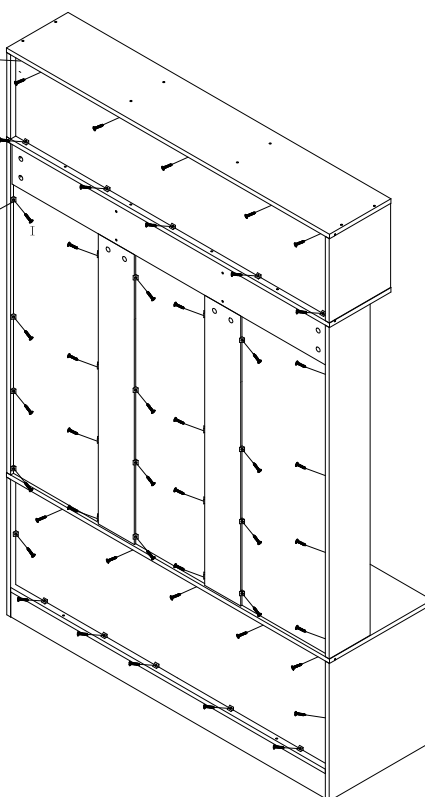
46pcs



1

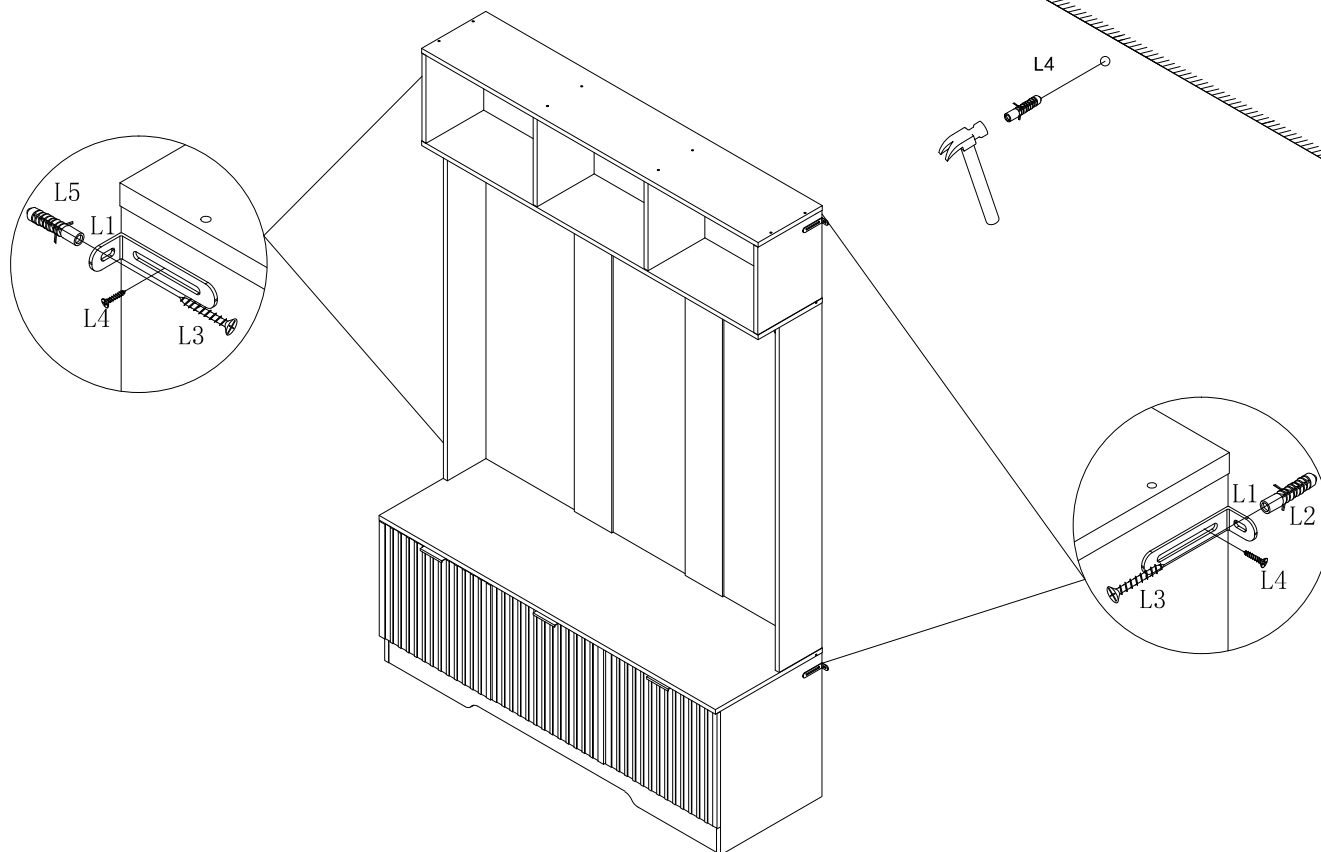


2

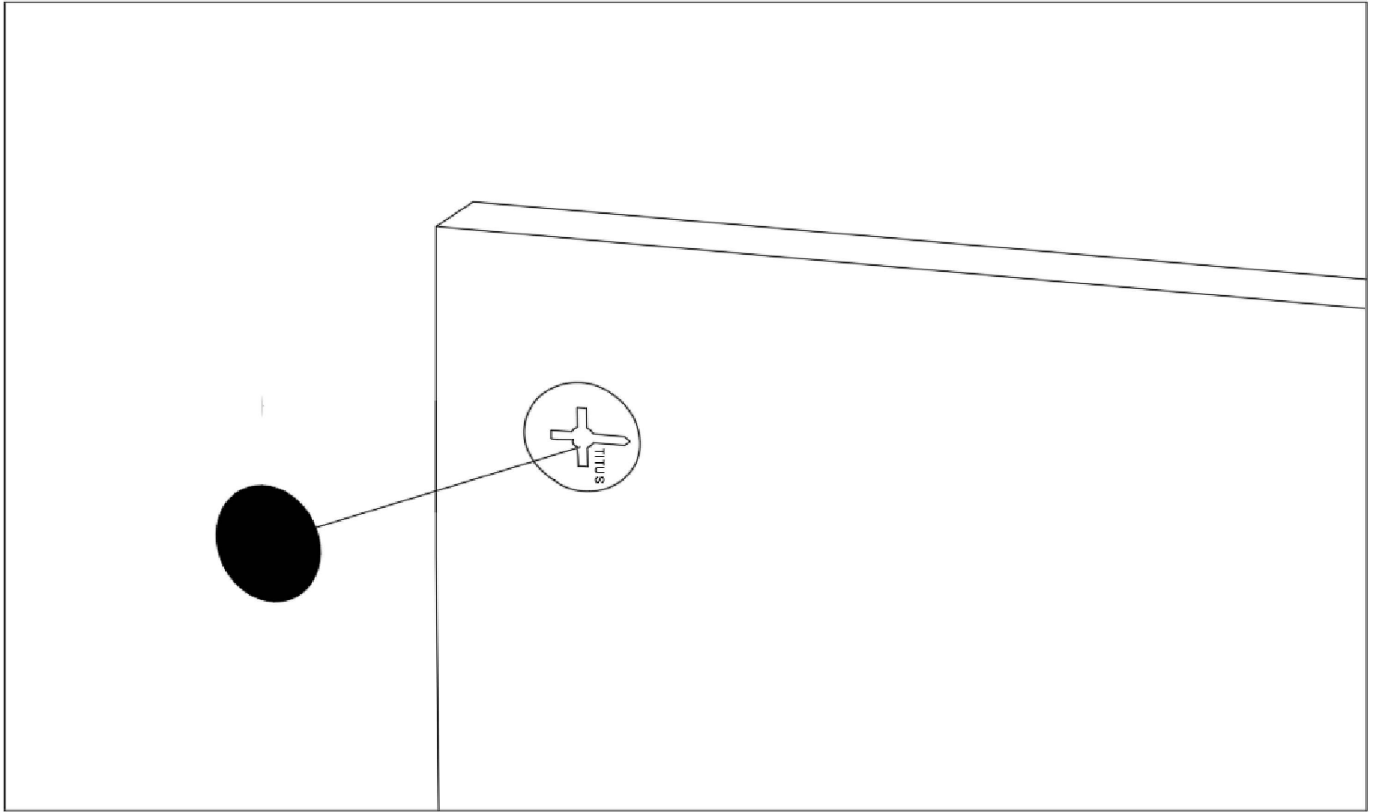


# 17

L  
L1 L2 4sets  
L3 L4



**Warning:** This product is equipped with an anti-tilt device. Please be sure to install this device to prevent unnecessary injuries caused by tipping.



**EN:**In order to make the product more beautiful,please paste hardware H on the exposed holes.