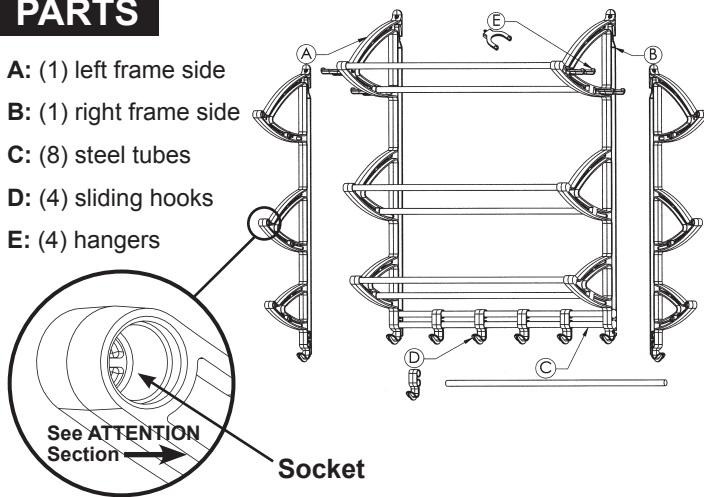


PARTS

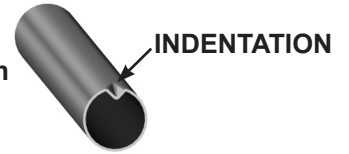
- A: (1) left frame side
- B: (1) right frame side
- C: (8) steel tubes
- D: (4) sliding hooks
- E: (4) hangers



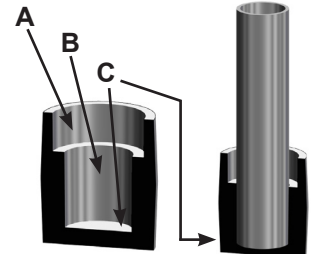
ATTENTION

Assemble on a smooth solid surface such as concrete. DO NOT assemble on carpet or damage will occur.

Both ends of each steel tube have a small indentation to make assembly easier.

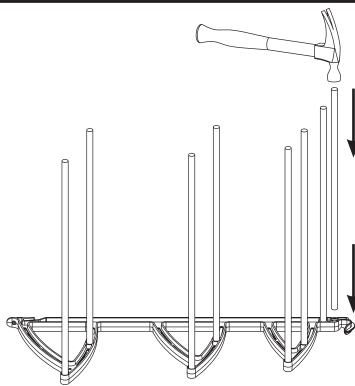


All sockets have a large opening (A) to start and line up tubes, and smaller opening (B) for a tight fit. Firmly tap the tubes so that they go to the end of each socket (C).



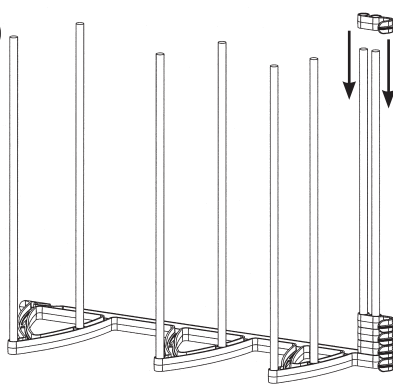
If this is not done the product will not stay together.

1



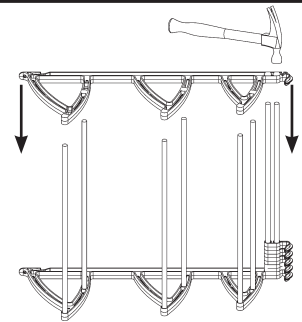
Lay one of the frame sides on a solid surface (**not carpet**) with socket openings up. With a hammer, firmly tap one tube into each of the eight sockets.

2



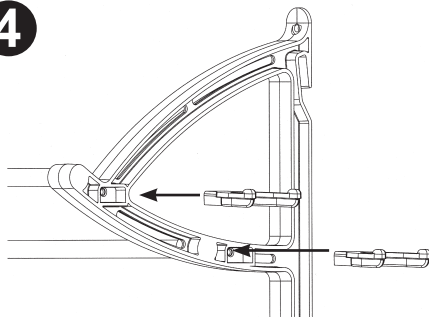
Put all four sliding hooks on the two bottom tubes. **Please make sure all hooks are facing the same direction as the main hook.**

3



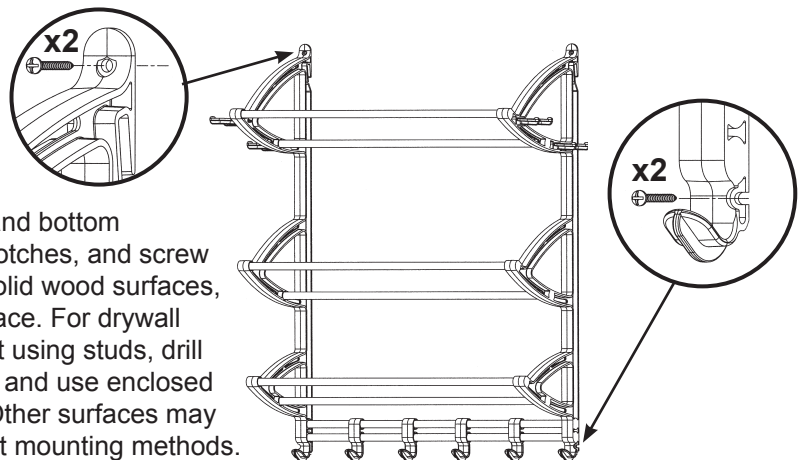
Take the other frame side and line up tubes into sockets. Beginning at either end, firmly tap the frame side completely down onto tubes. Go back and repeat the firm tapping until the tubes are all the way into each socket.

4



Now that your Sports Rack is assembled, take the (4) hangers and snap them into the holes as shown placing two on right side and two on the left side.

5



Insert screws into top holes and bottom semi-circular notches, and screw into wall. For solid wood surfaces, screw into surface. For drywall installations not using studs, drill hole 3/16" hole and use enclosed wall anchors. Other surfaces may require different mounting methods.

If you have questions, please call 800-733-5965

www.lynkinc.com

LIMITED WARRANTY AND DISCLAIMER OF LIABILITY

The manufacturer warrants this product against defects in manufacturing and workmanship for a period of ninety (90) days from the date of purchase. For questions, call (800) 733-5965 for customer service.

MANUFACTURER DISCLAIMS ALL OTHER WARRANTIES, EITHER EXPRESS OR IMPLIED, INCLUDING BUT NOT LIMITED TO IMPLIED WARRANTIES OF MERCHANTABILITY AND FITNESS FOR A PARTICULAR PURPOSE WITH REGARD TO THE PRODUCT. IN NO EVENT SHALL MANUFACTURER BE LIABLE FOR ANY SPECIAL, INCIDENTAL, INDIRECT, OR CONSEQUENTIAL DAMAGES WHATSOEVER (INCLUDING, WITHOUT LIMITATION, DAMAGES FOR LOSS OF BUSINESS PROFITS, INJURY TO PERSON OR PROPERTY, OR ANY OTHER INCIDENTAL, CONSEQUENTIAL DAMAGES WHATSOEVER (INCLUDING, WITHOUT LIMITATION, DAMAGES FOR LOSS OF BUSINESS PROFITS, INJURY TO PERSON OR PROPERTY, OR ANY OTHER INCIDENTAL, CONSEQUENTIAL OR PECUNIARY LOSS), OR FOR ATTORNEY'S FEES OR COSTS, ARISING OUT OF THE USE OR OPERATION OF PRODUCT.