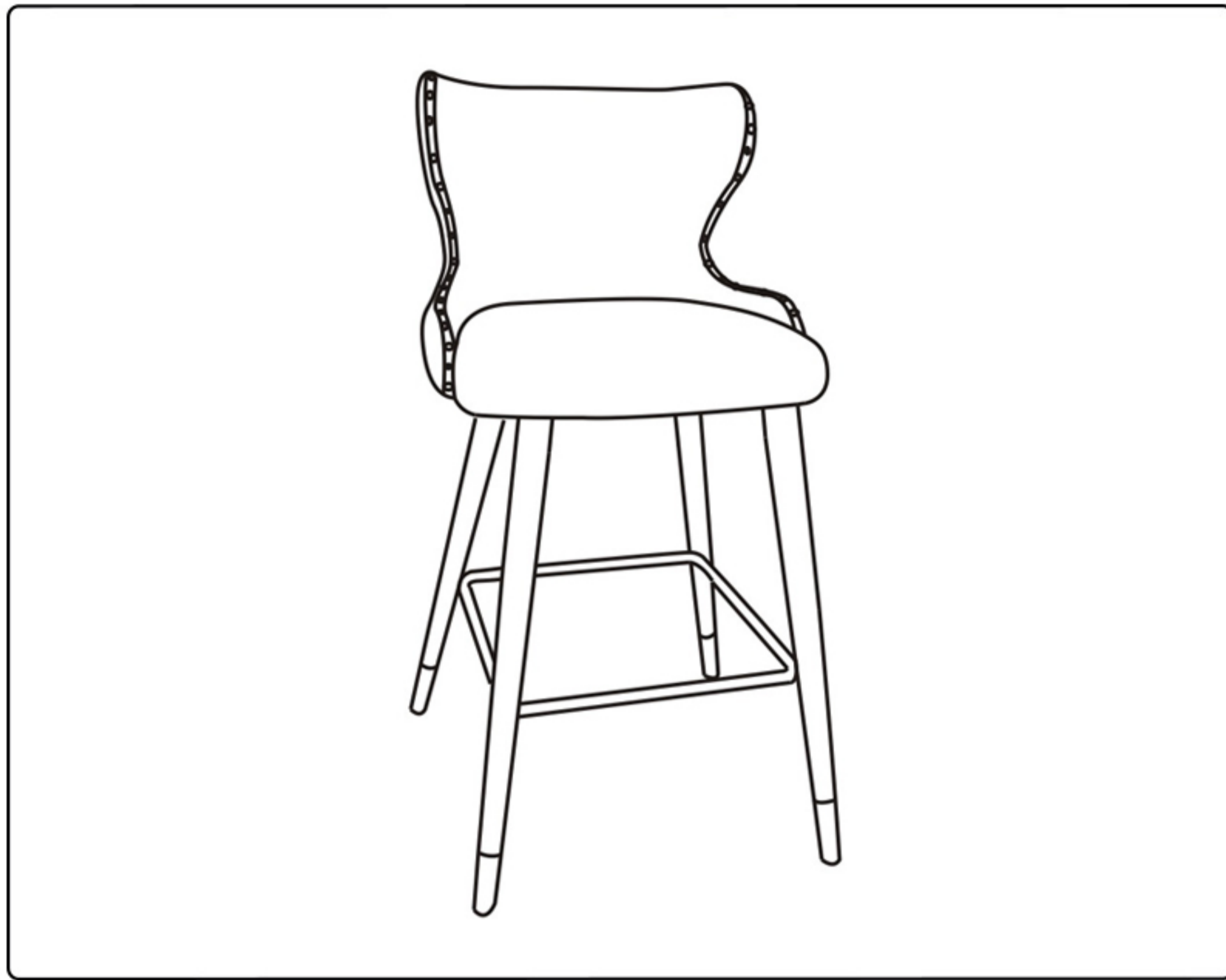
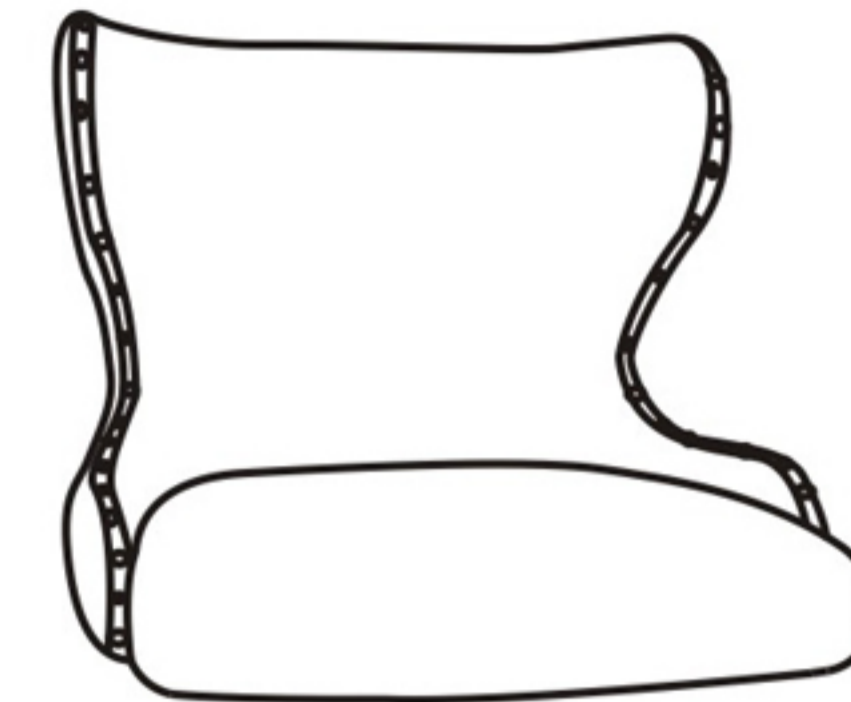


# ASSEMBLY INSTRUCTIONS

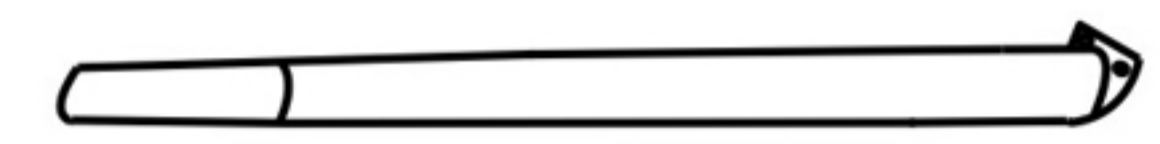


## + Parts Included

① Chair Back  
(1 of pcs)



② Legs  
(4 of pcs)



③ Metal Pedal  
(1 of pcs)



## + Do Not Use Power Tools



## + Suggested Adults



### NOTE:

- 1 Read instructions cover to cover.
- 2 Save all packaging until assembly is completed.

## 1 IMPORTANT SAFETY INFORMATION

**Do not** assemble the product if any of the following parts arrived damaged:

- Part # ① - Chair Back
- Part # ② - Legs
- Part # ③ - Metal Pedal

**Do not** assemble if any of the following Hardware parts are missing:

- Part # A - Bolt
- Part # B - Bolt
- Part # C - Allen Key

## 2 IMPORTANT ASSEMBLY INFORMATION

**Assembly Step** If loosening persists, please make sure to tighten all the bolts periodically, or use a thread locker adhesive.

## + Hardware Included

A Bolt  
(12 of pcs)



B Bolt  
(4 of pcs)

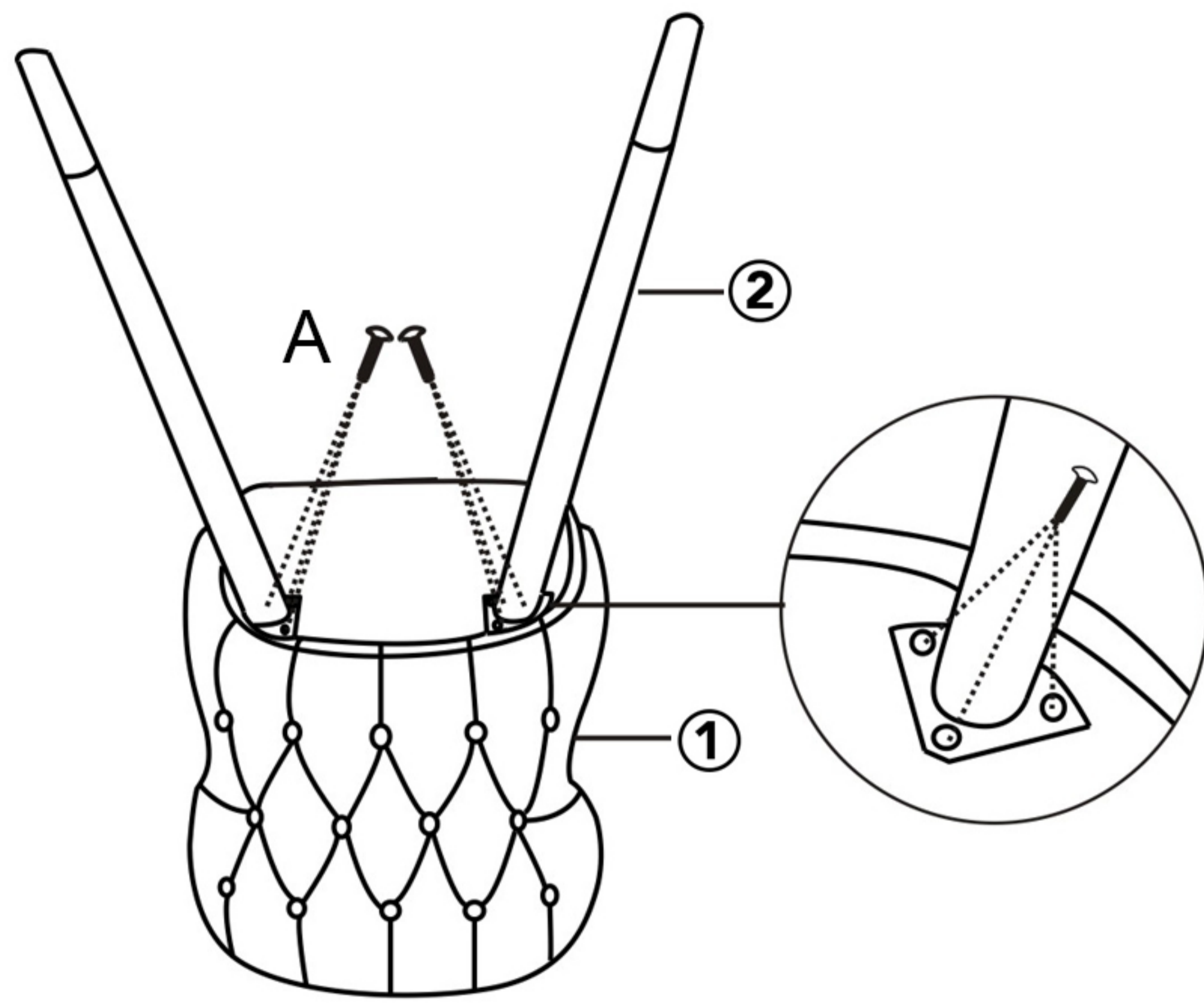


C Allen Key  
(1 of pcs)



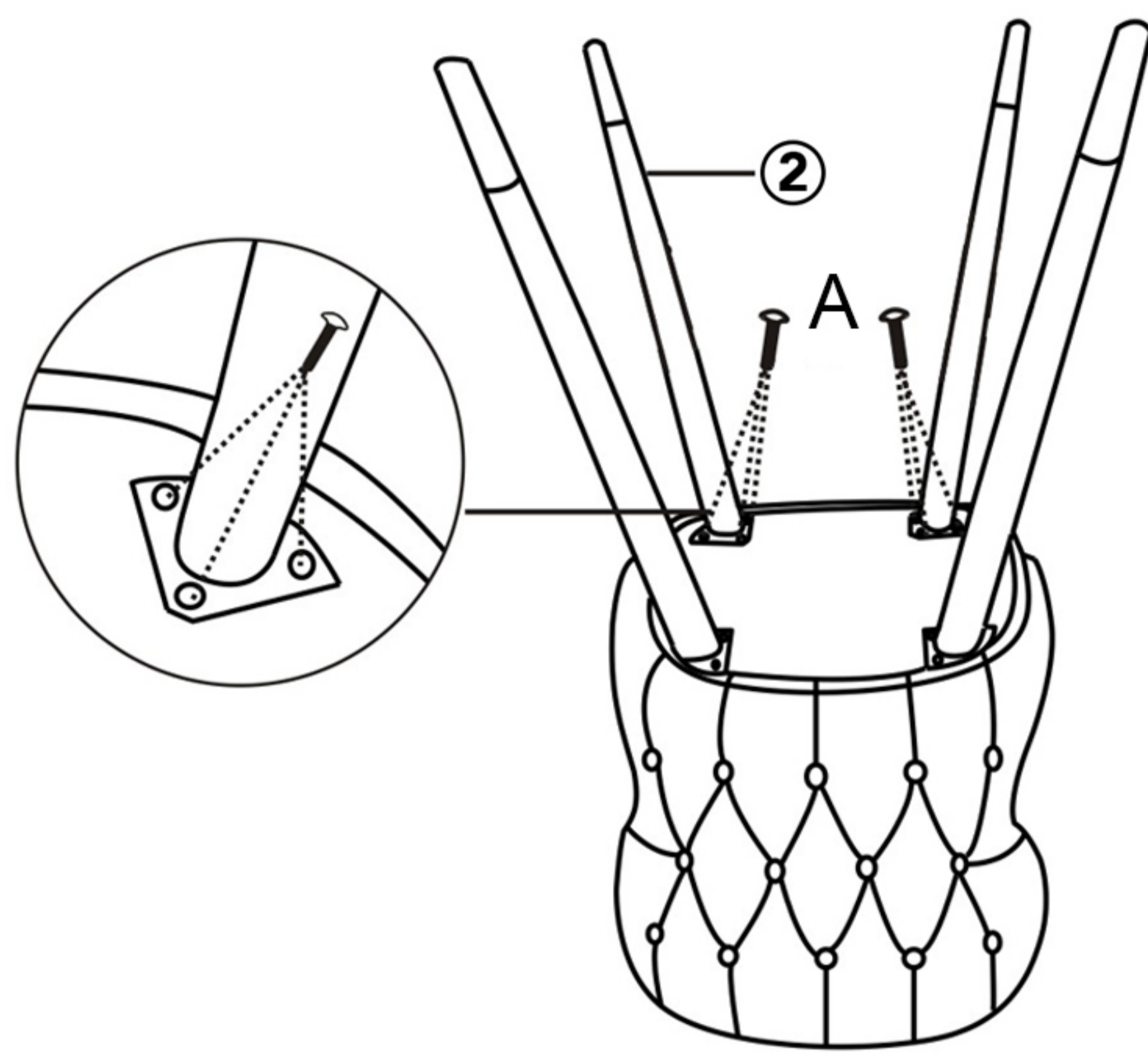
# ASSEMBLY INSTRUCTIONS

1



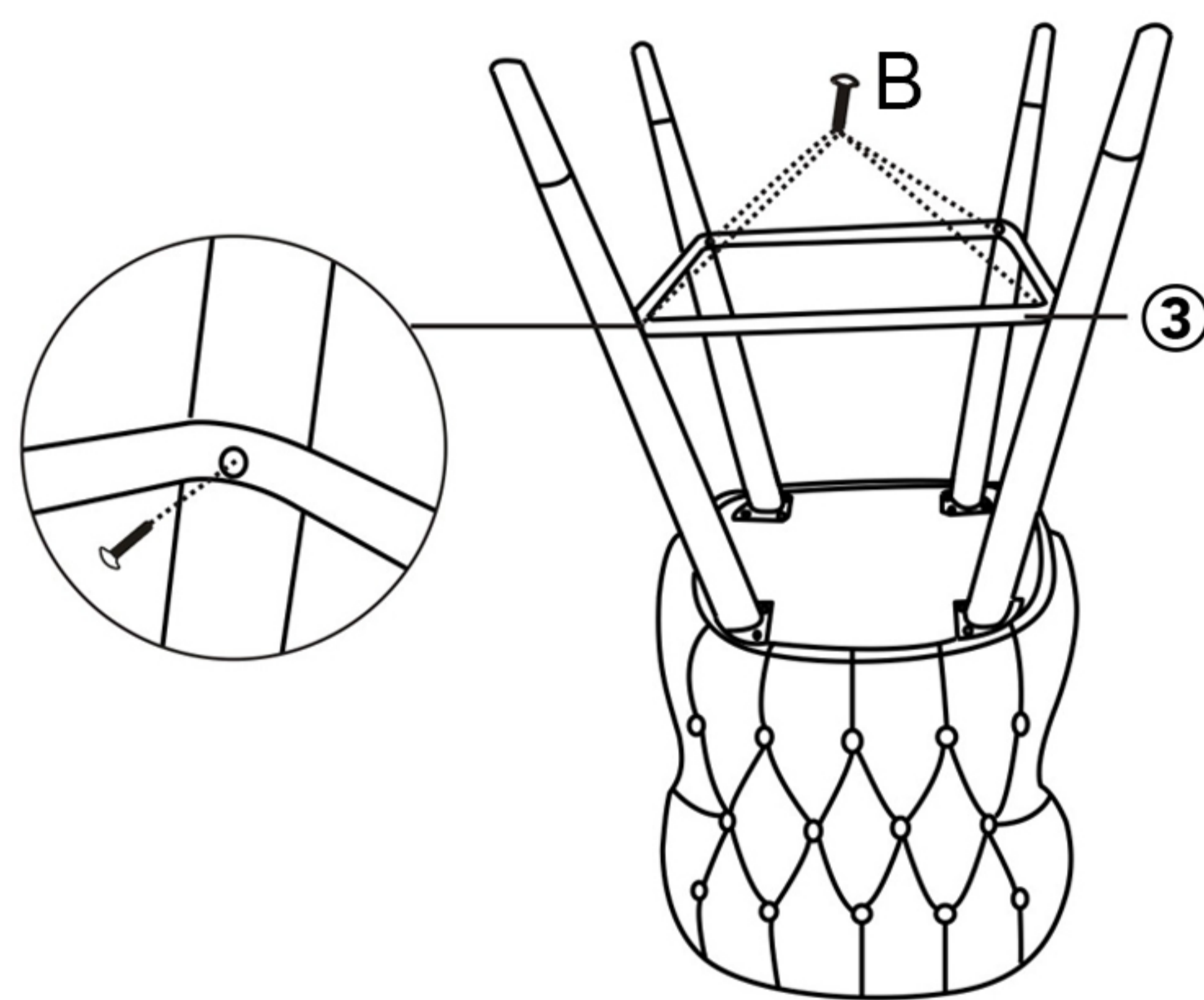
Put the screws in the holes,  
tight the screws, but not too  
tight, 80% is ok.

2



Put the screws in the holes,  
tight the screws, but not too  
tight, 80% is ok.

3



Put the screws in the holes,  
tight the screws, but not too  
tight, 80% is ok.

4



Stand the chair upright & ensure it is  
level before tightening all screws,  
Then tight all the screws to 100%