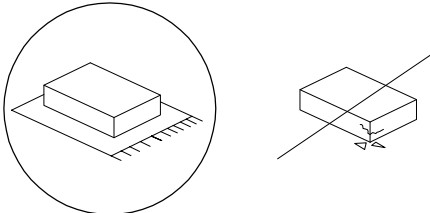
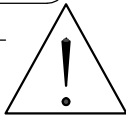

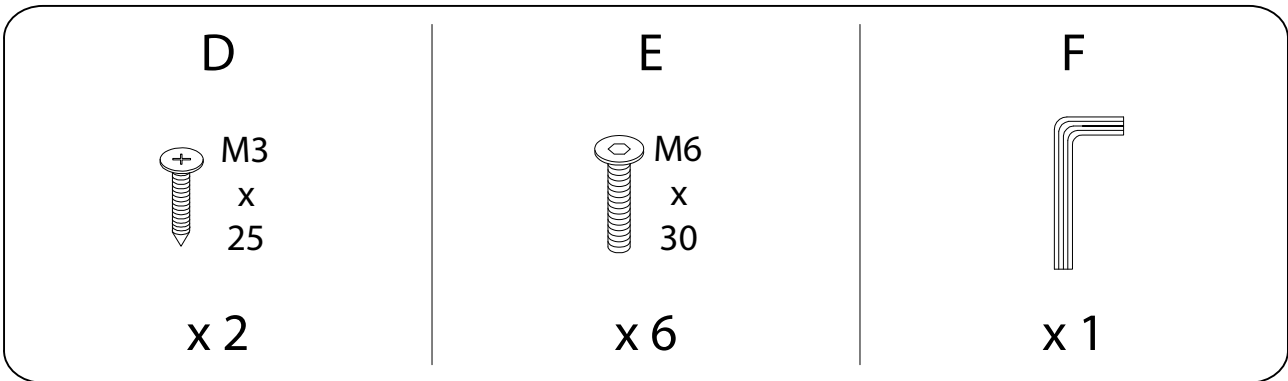
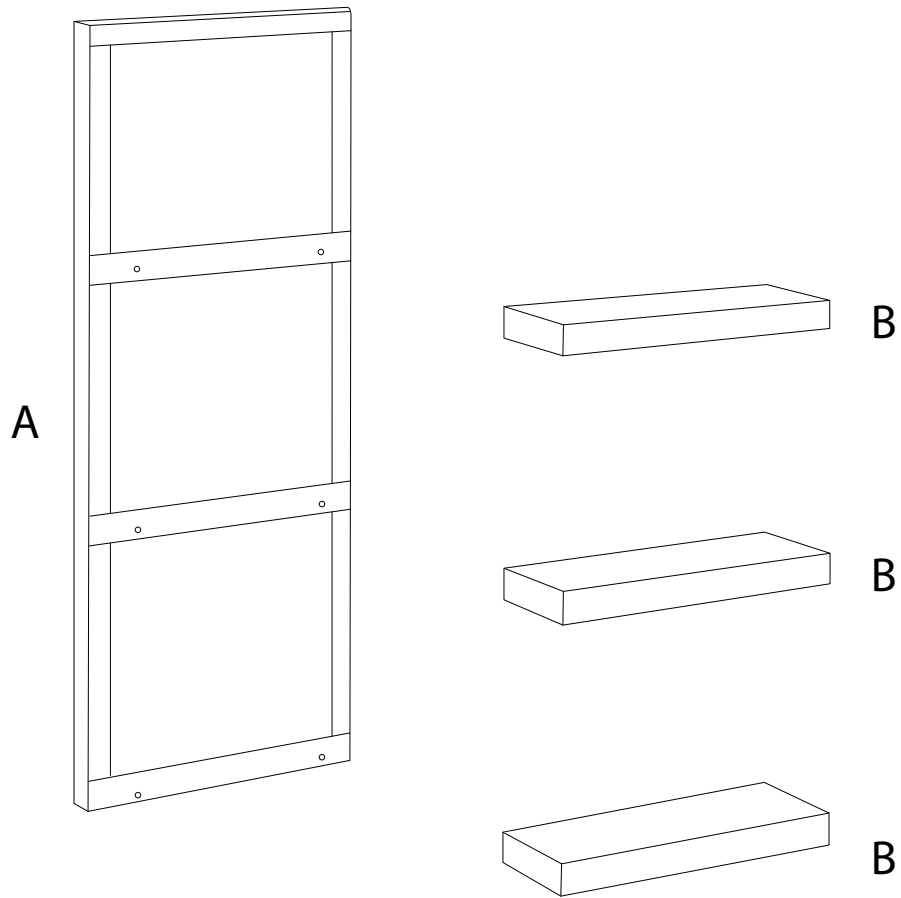
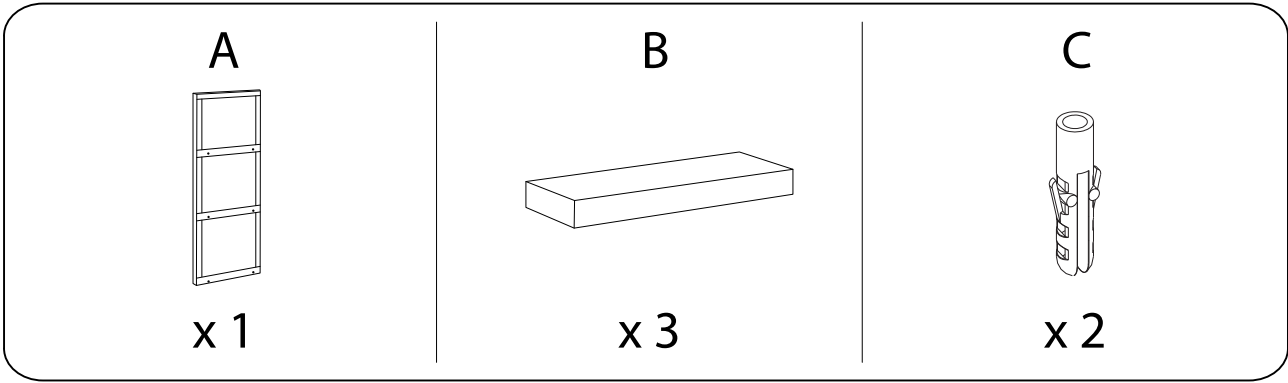
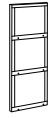

		30'
		
		1



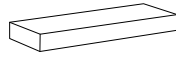
1

A



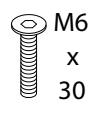
x 1

B



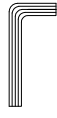
x 3

E

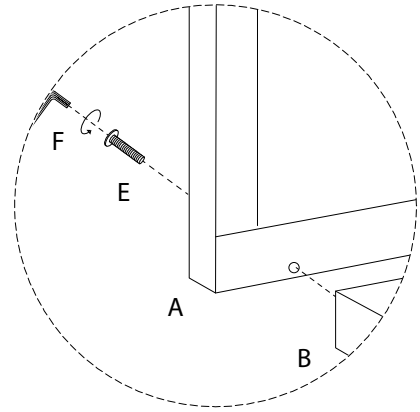
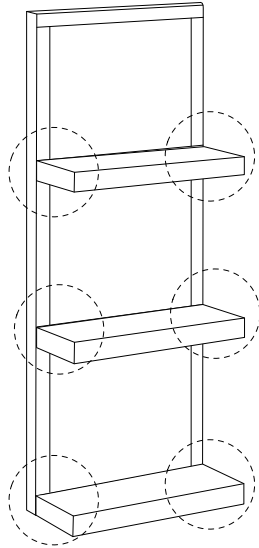


x 6

F

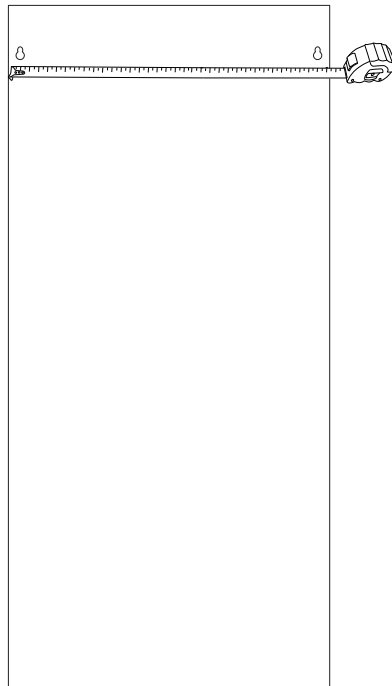


x 1

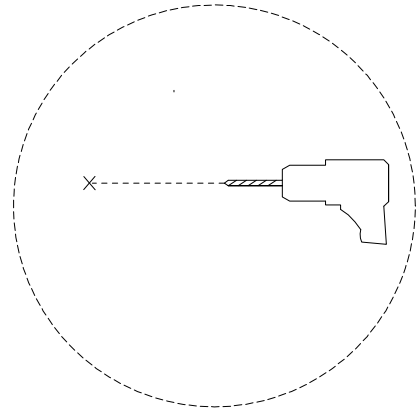
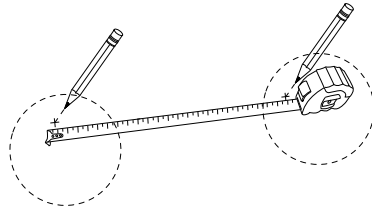


2


A




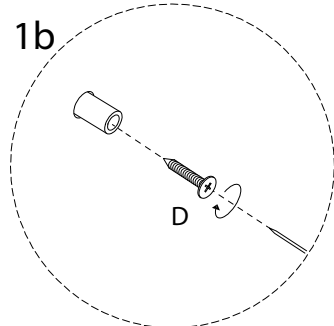
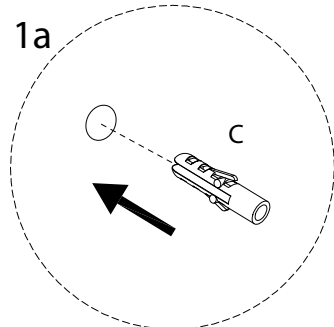
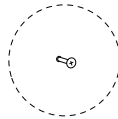
3



4

C

x 2

D
 M3
x
25
x 2



5

