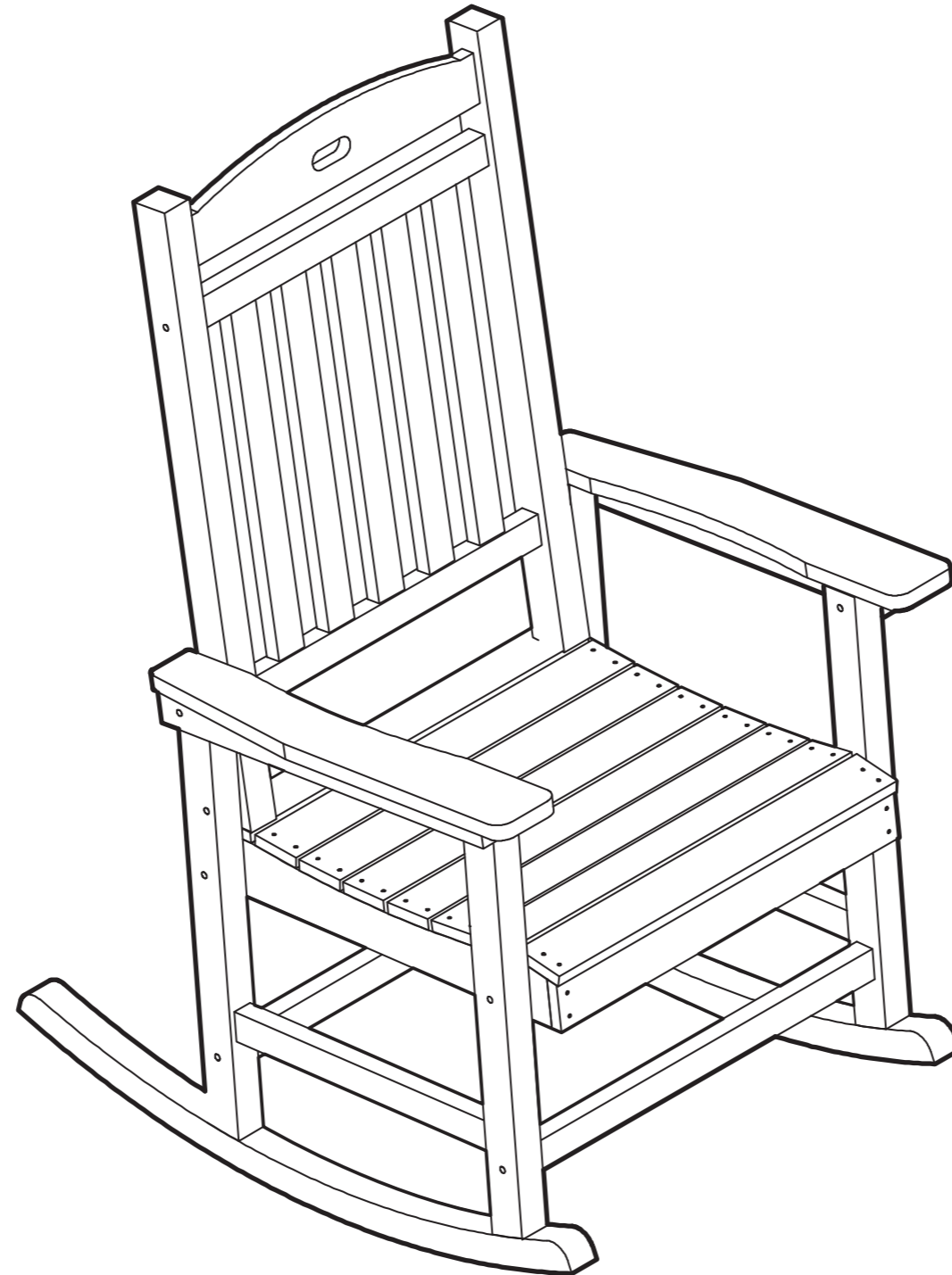
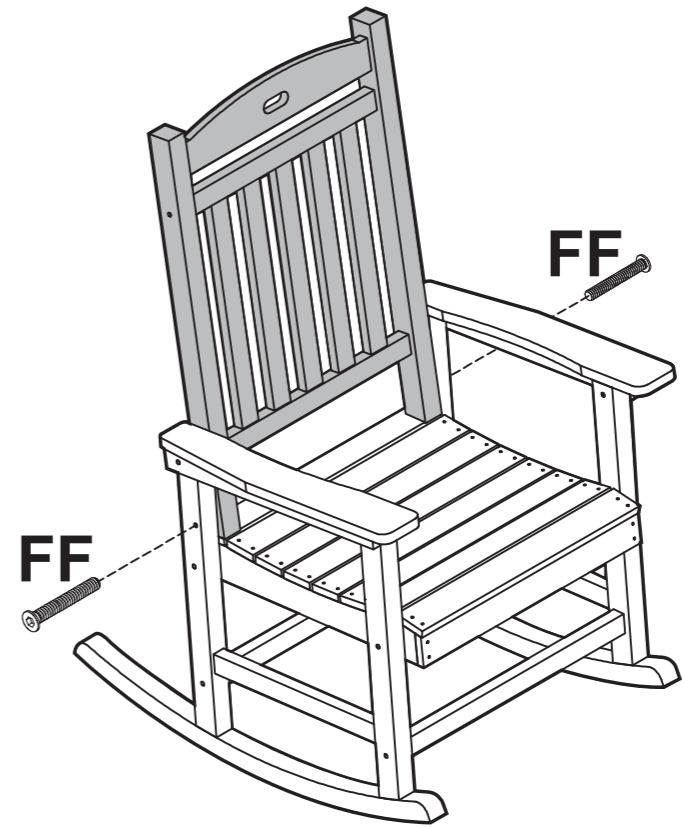


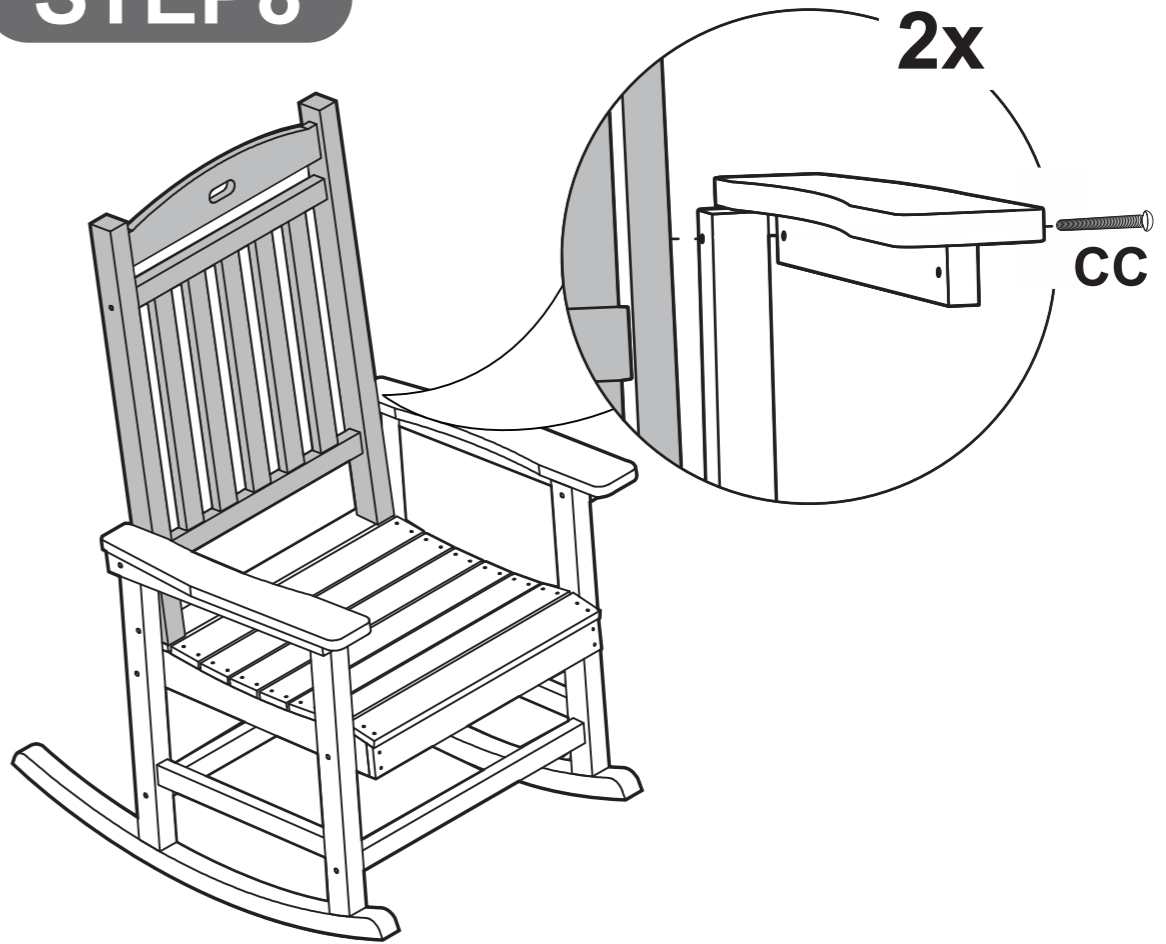
ROCKING CHAIR



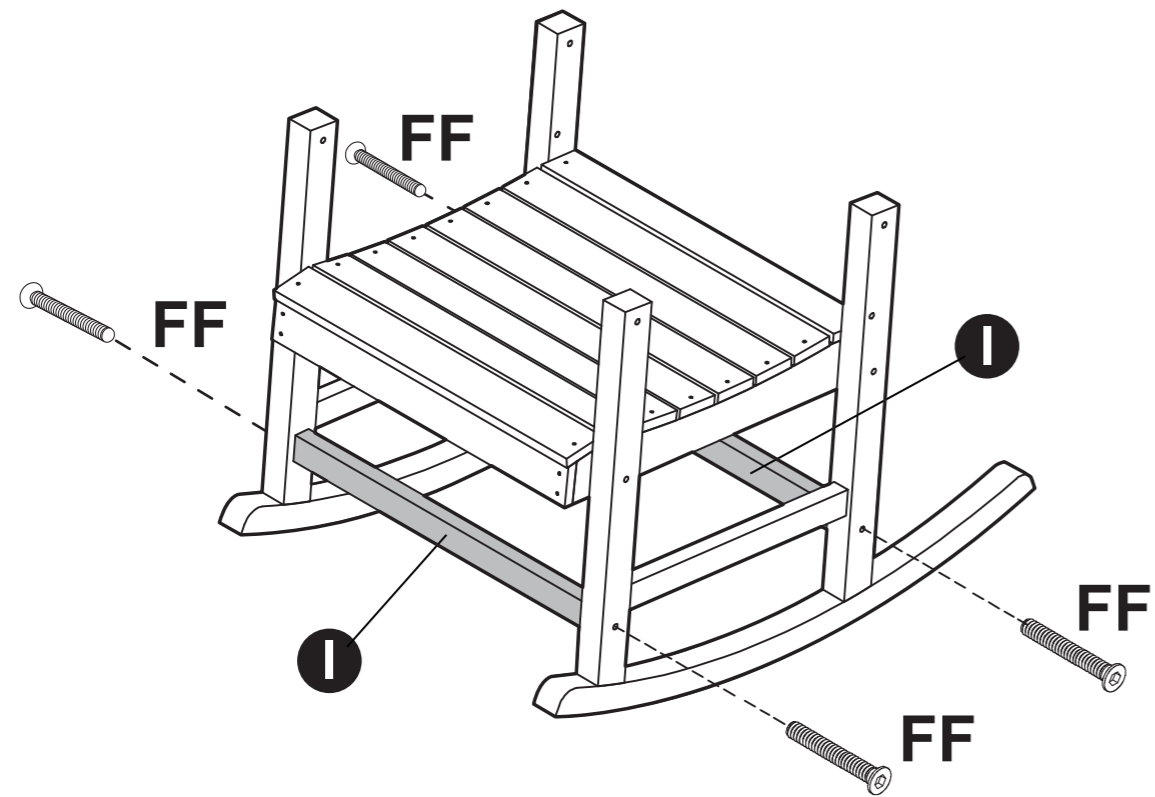
STEP 7



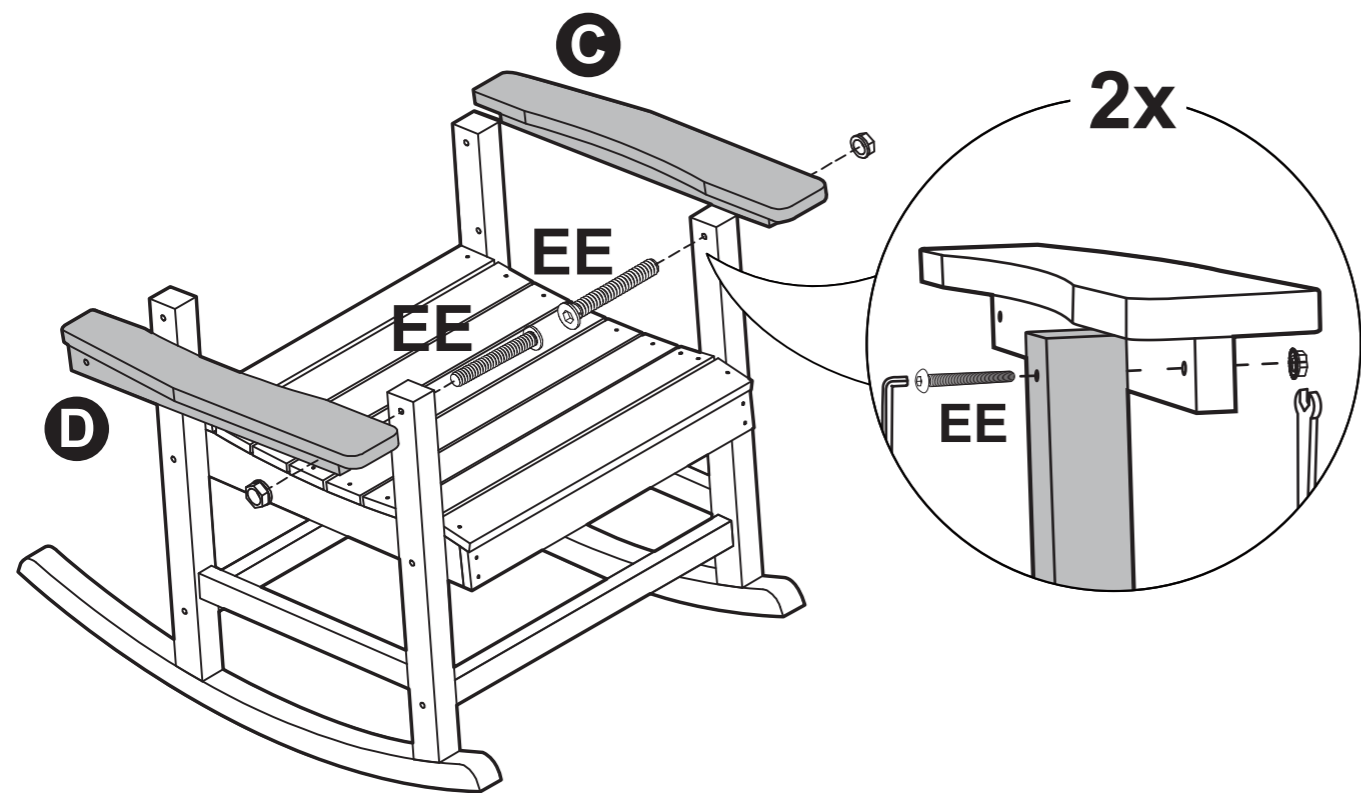
STEP 8



STEP 5



STEP 6



! NOTICE PLEASE READ THE FOLLOWING INSTRUCTIONS FOR REFERENCE

- Please do not exceed the weight limit for this item!!!
- Do not stand on or use any part of the item as a stepping ladder.
- Firmly secure all bolts screws and knobs before use.
- Re-confirm all bolts, screws and knobs are secure every 30 days.
- Do not store this item near open flames or flammable chemicals.
- If any parts is missing, damaged, or worn, stop using the product and instruct for repair or factory replacement parts.
- Do not use this item in a way inconsistent with the manufacturer's instructions, as this will void the product warranty.
- Please keep this item away from bug repellent, weed spray or any other bug spray. This item's material will react with these chemicals, which will make it discolored.
- If this item has scratches during using it, because the surface color is integral to the inside, you can use sanding sponge to polish it, it will be the same as new again.

PRODUCT WARRANTY INFORMATION.

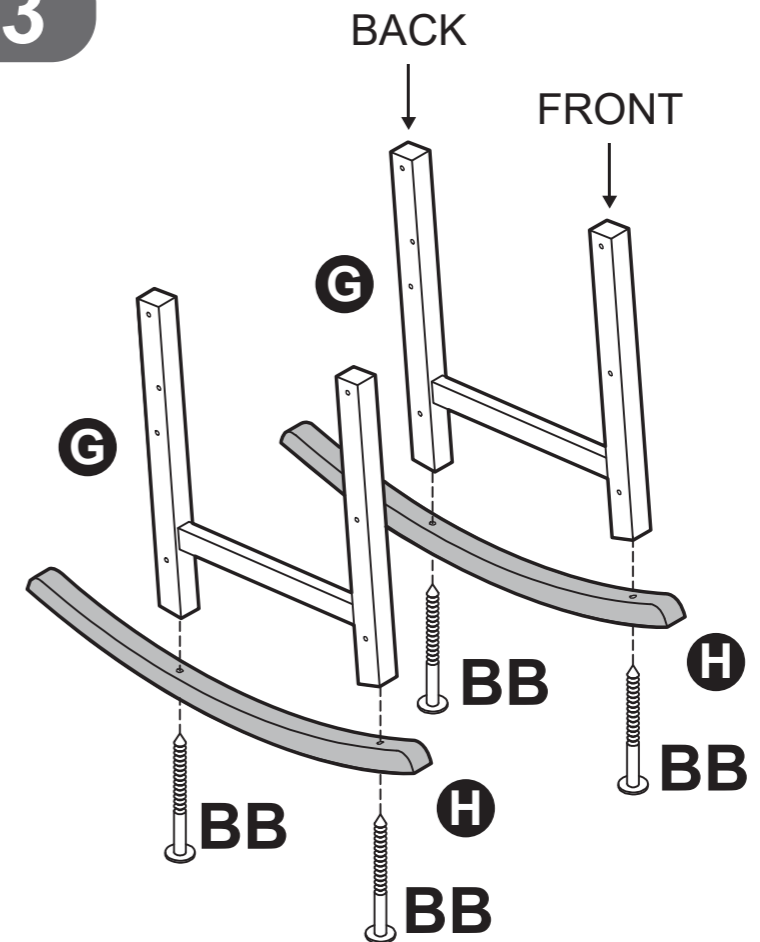
All items can be returned for any reason within 30 days of receipt and will receive a full refund as long as the altered item is returned in its original product packaging and includes all accessories from its original shipment. Once the product has been received by us the refund will be processed within 3 business days.

All returns must be shipped back to the warehouse at customer's expense. If the reason for return is a result of an error by warehouse, it will prepare a pre-paid shipping label. Some returns may require pictures to ensure items are not damaged prior to return. Returned items are not considered undamaged until they have been received and verified by us. All items damaged are the responsibility of the customer until the product is received by us and verified to be in good condition.

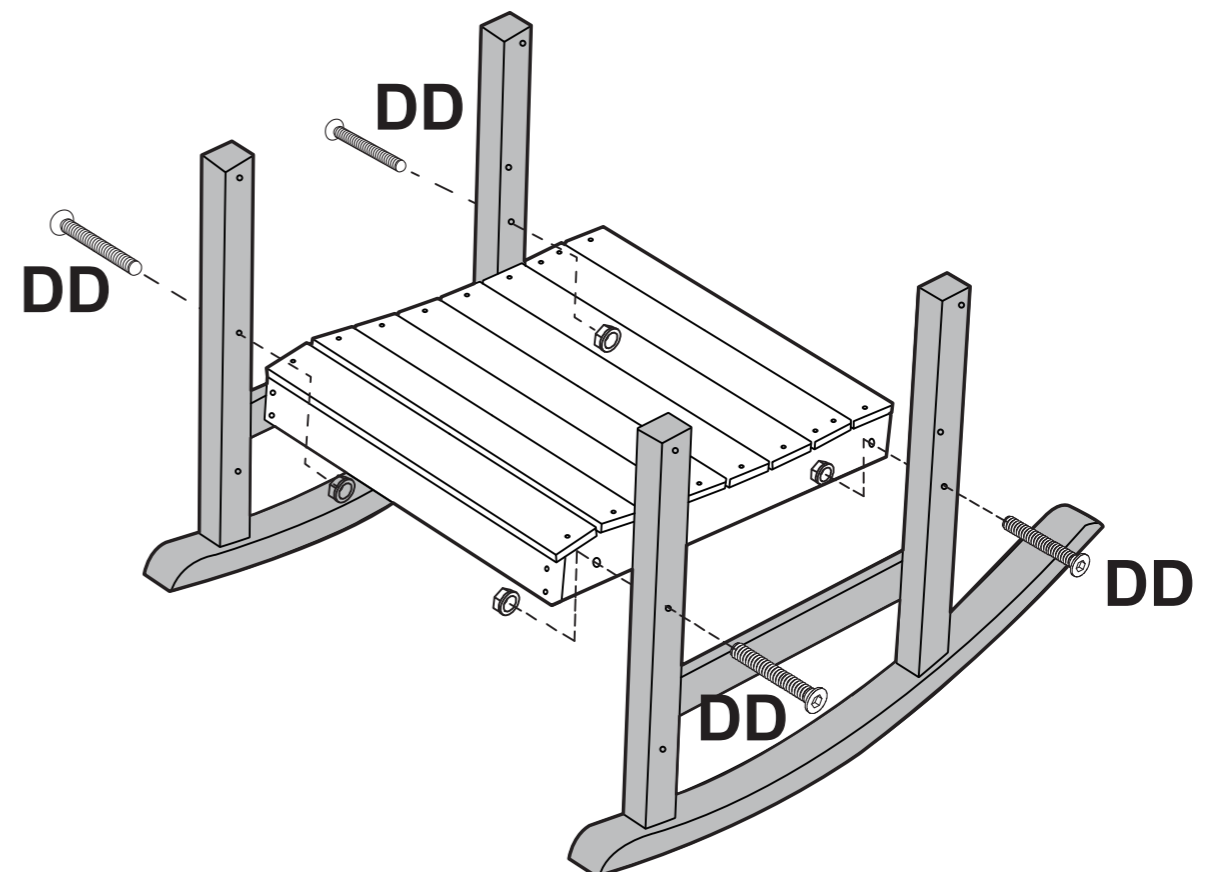
All products have a 3-year warranty, during which we will provide free spare parts if any parts are damaged (but you need to bear reasonable shipping costs)

! WARNING DISCLAIM ANY AND ALL LIABILITY FOR PERSONAL INJURY, PROPERTY DAMAGE OR LOSS, WHETHER DIRECT, INDIRECT, OR INCIDENTAL, RESULTING FROM INCORRECT ACCESSORIES, IMPROPER USE, INADEQUATE MAINTENANCE, UNAPPROVED MODIFICATIONS OR NEGLIGENCE OF THIS PRODUCT.

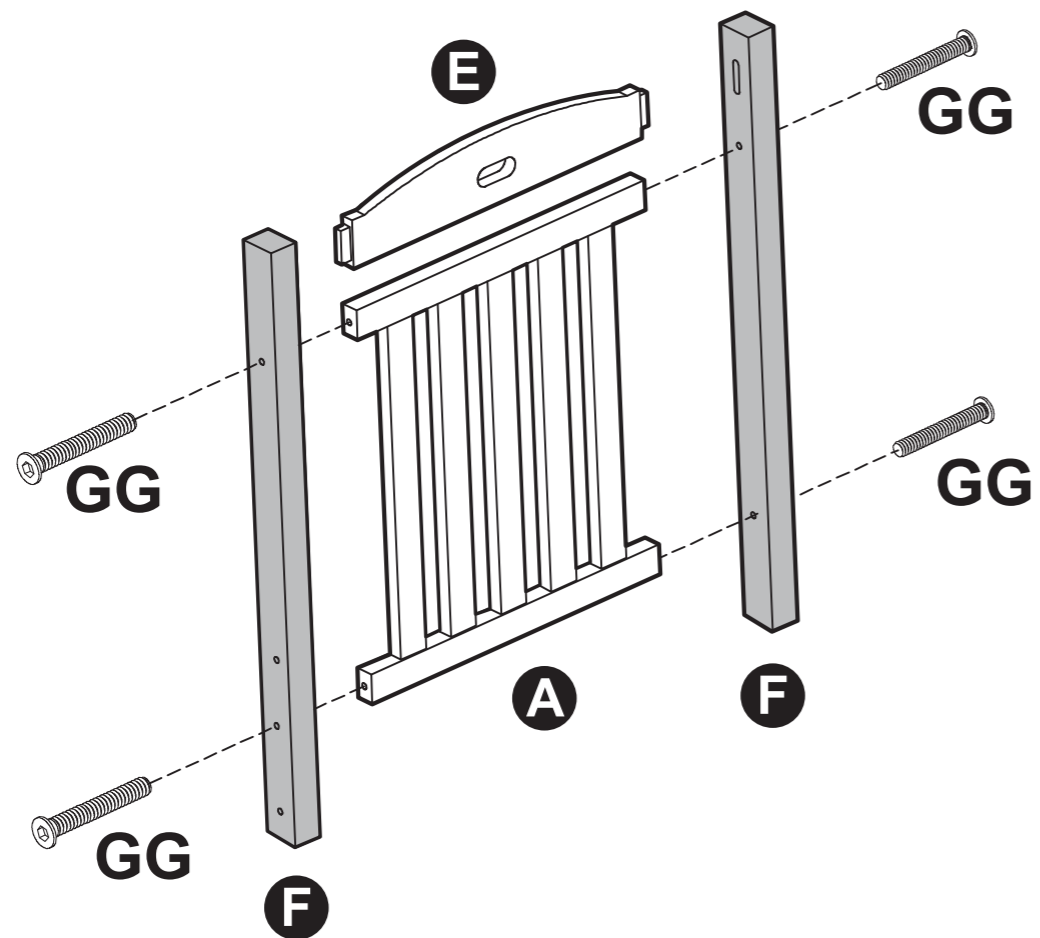
STEP 3



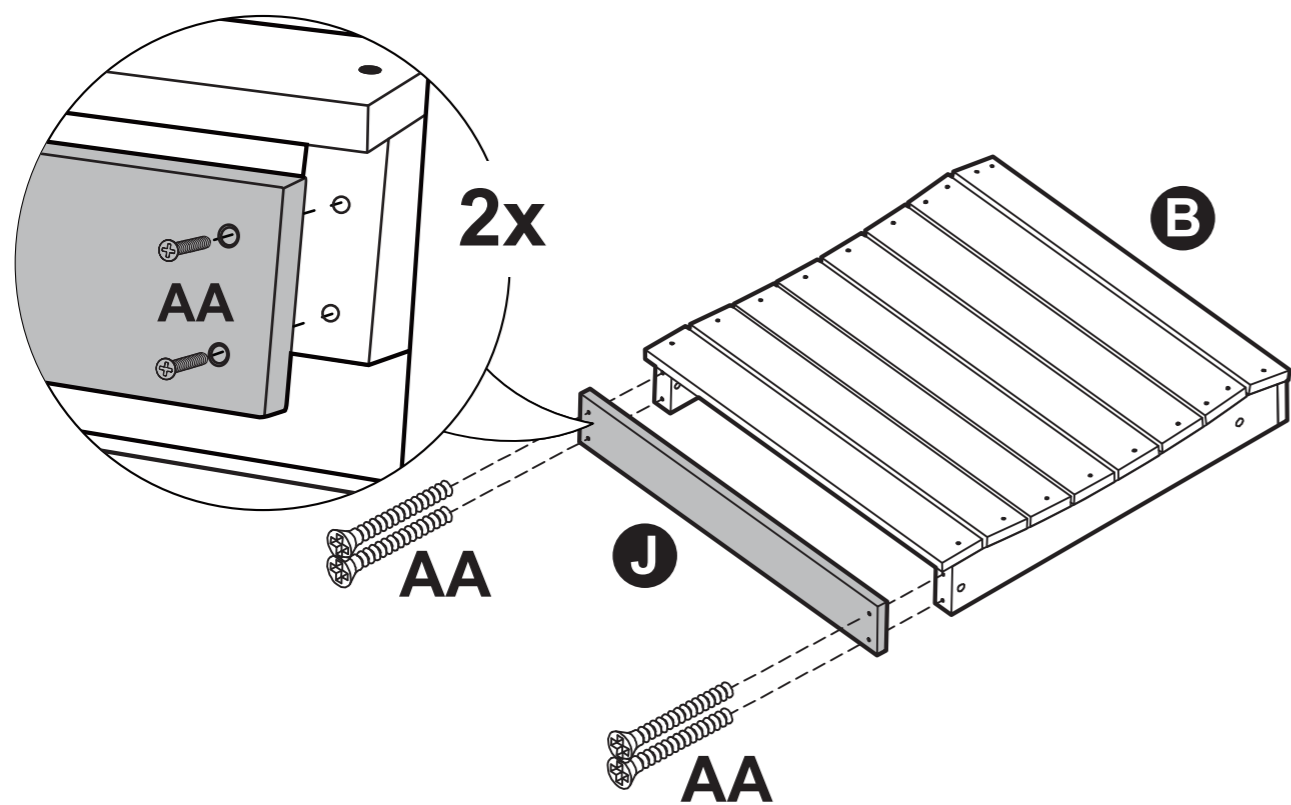
STEP 4



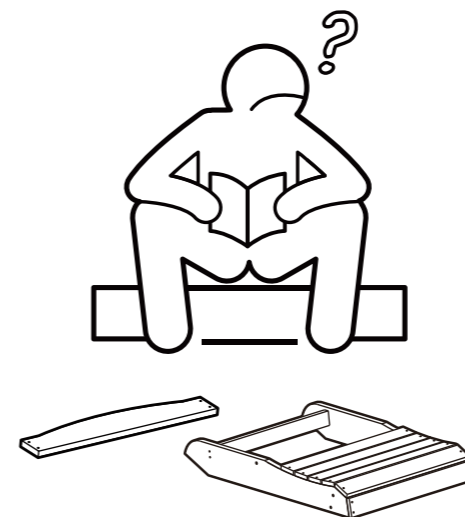
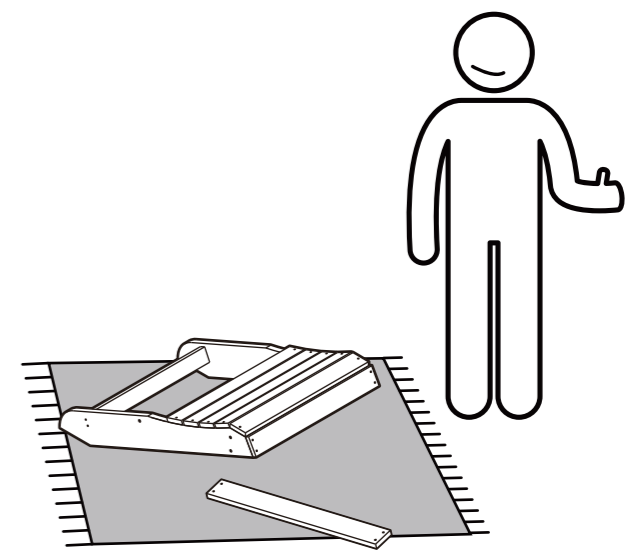
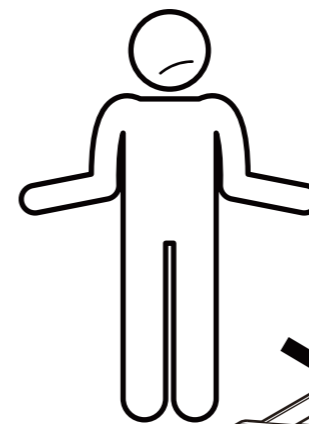
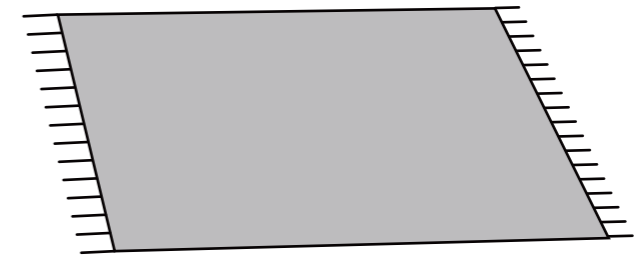
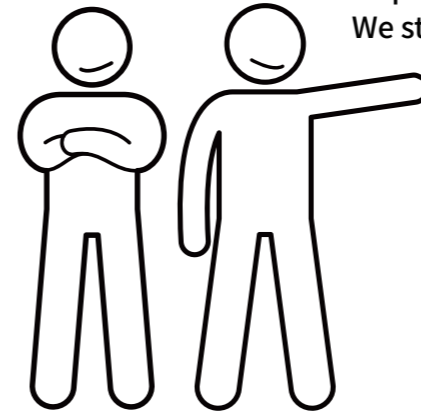
STEP 1



STEP 2

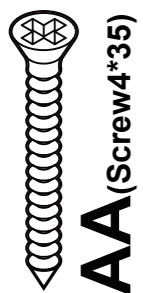


To prevent damage during installation, you could prepare a blanket. We strongly recommend that **two people** install it.



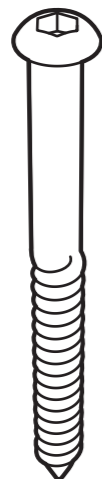


***In order to avoid the chair shaking
make sure that the screws are tightened
fully after every step***



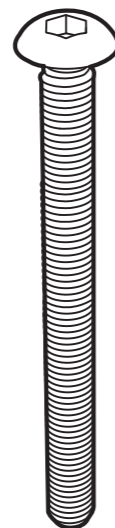
AA
(Screw 4*35)

4PCS



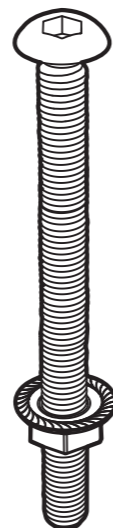
BB
(Screw 6*95)

4PCS



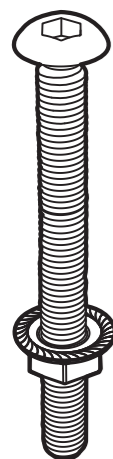
BB
(Bolt M6*80)

2PCS



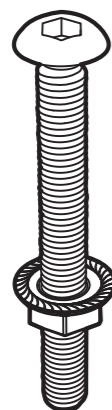
DD
(Bolt M6*80)

4PCS



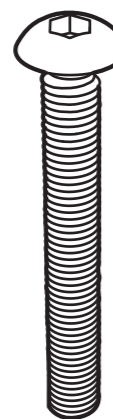
EE
(Bolt M6*70)

2PCS



FF
(Bolt M6*60)

6PCS



GG
(Bolt M6*50)

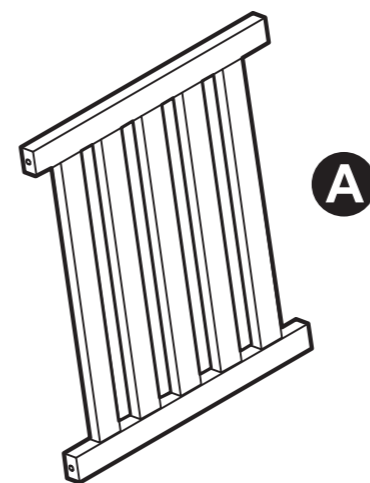
4PCS



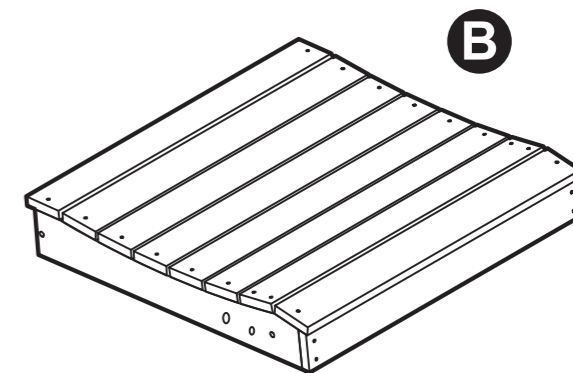
1SET



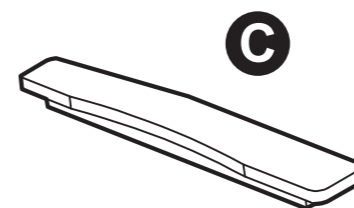
1SET



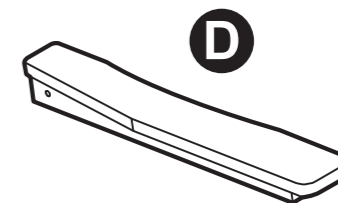
A



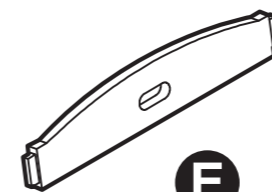
B



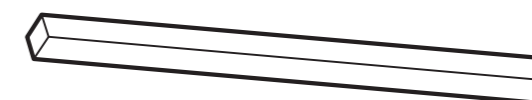
C



D



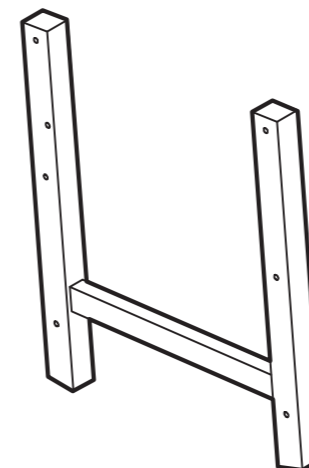
E



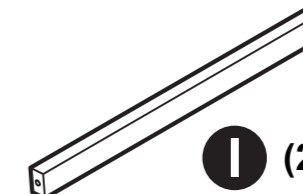
F (2PCS)



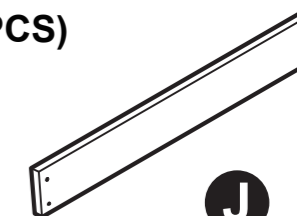
H (2PCS)



G (2PCS)



I (2PCS)



J