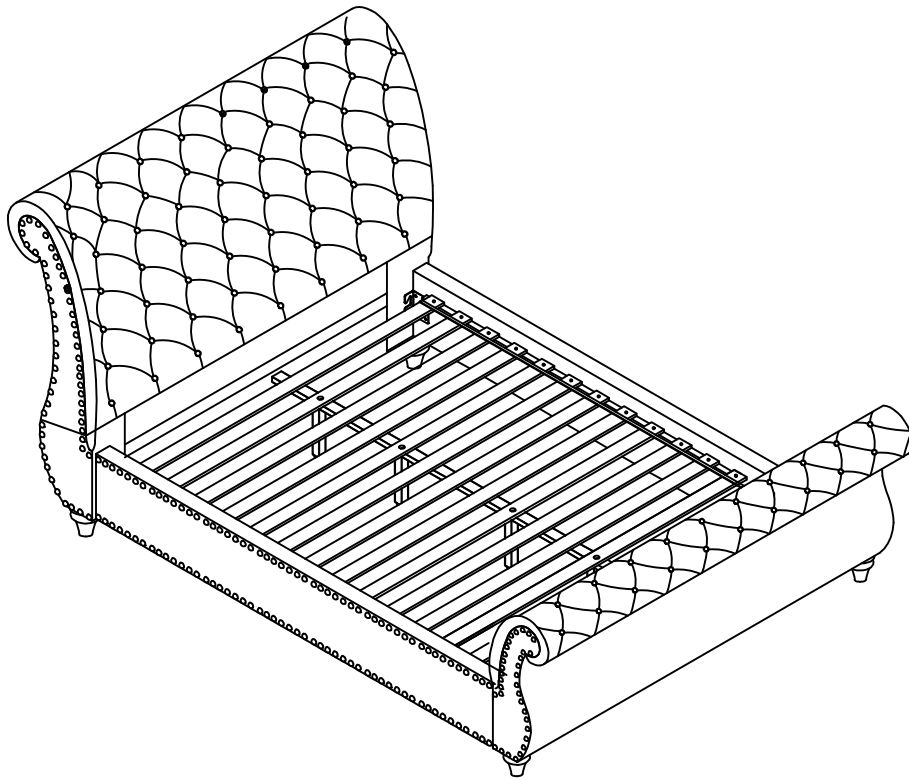


Assembly Instructions



ASSEMBLY RATING

The Assembly Rating is a 5-point system that shows the degree of effort needed in assembling a specific product (with 1 being easy and 5 being difficult). For some products, two persons are recommended.

Tools Required For Assembly:

Allen Wrench



EASY





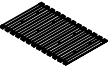

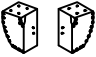

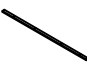



DIFFICULT








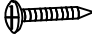


2 PERSONS RECOMMENDED

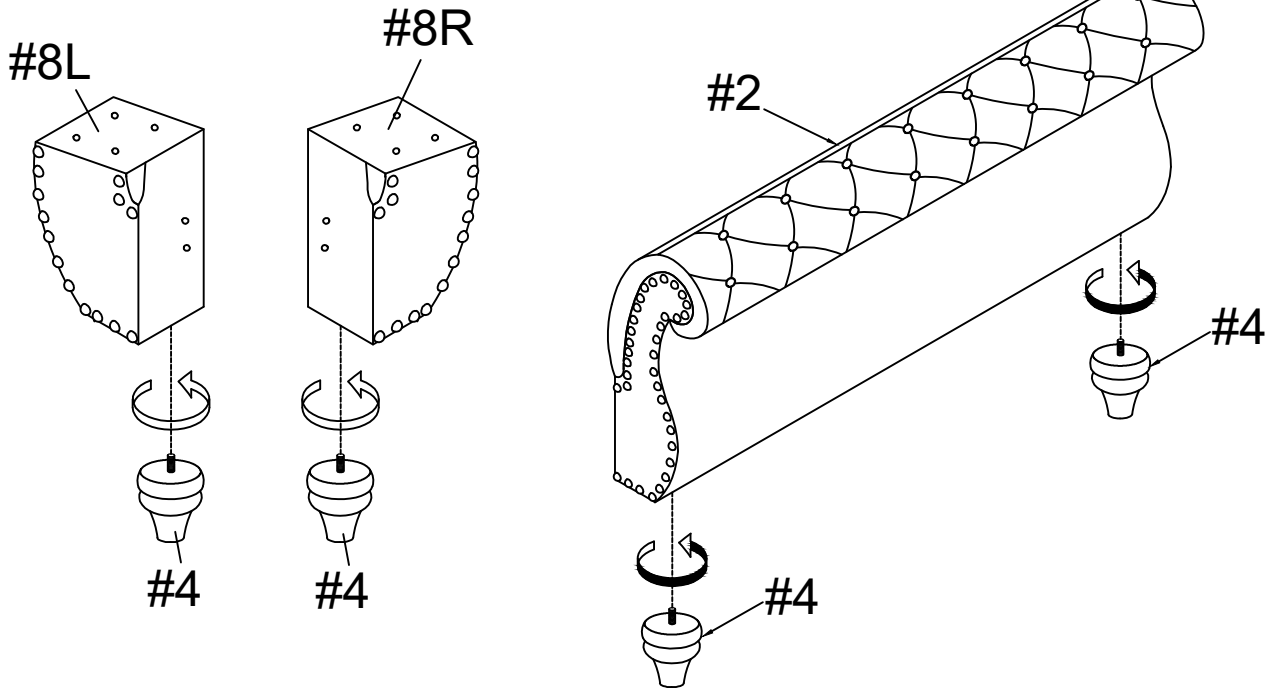
Parts List

	#1 x 1pc Headboard
	#2 x 1pc Footboard
	#3 x 2pcs Side Rail
	#4 x 4pcs HB/FB Leg
	#6 x 13pcs Slat
	#7 x 4pcs Support leg 310X30X30mm
	#8 x 2pcs HB Leg (L&R)
	#9 x 1pc HB Support Rail
	#10 x 1pc Middle Folding Rail
	#11 x 2pcs Connecting iron

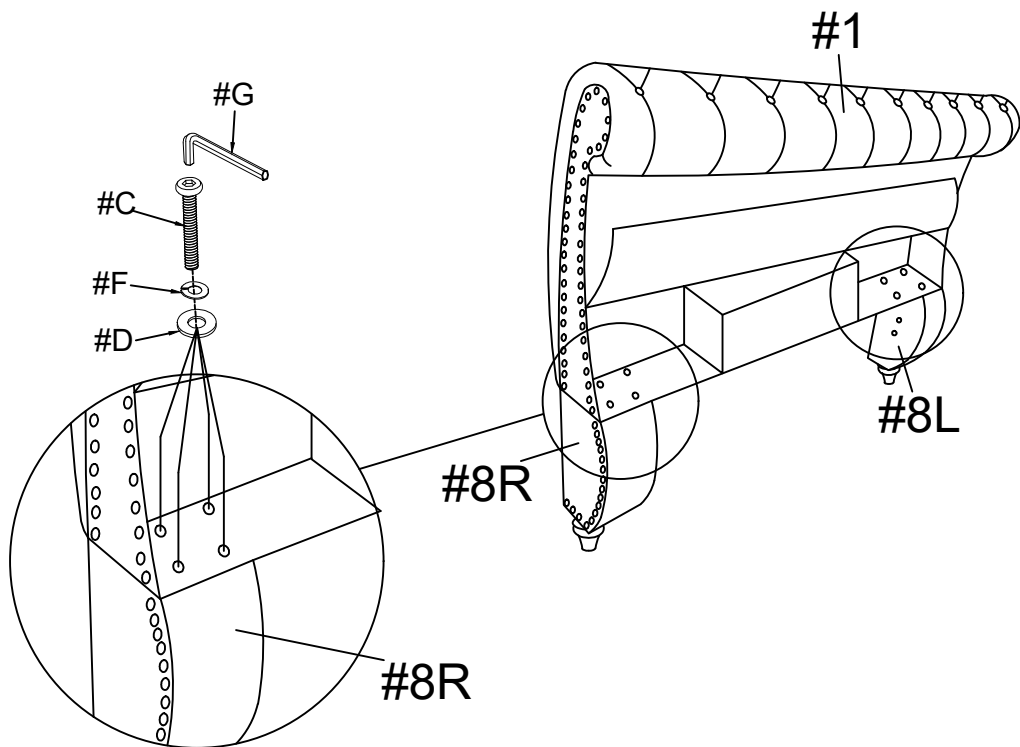
Hardware List

	#A x 6pcs Bolt Ø5/16"X3/4"
	#B x 8pcs Bolt Ø5/16"X1-1/2"
	#C x 8pcs Bolt Ø5/16"X2-1/2"
	#D x 8pcs Flat Washer Ø5/16"X22MM
	#E x 14pcs Flat Washer Ø5/16"X19MM
	#Fx 22pcs Spring Washer Ø5/16"
	#G x 1pc Allen Key 5MM
	#H x 26pcs Screw #8X38MM

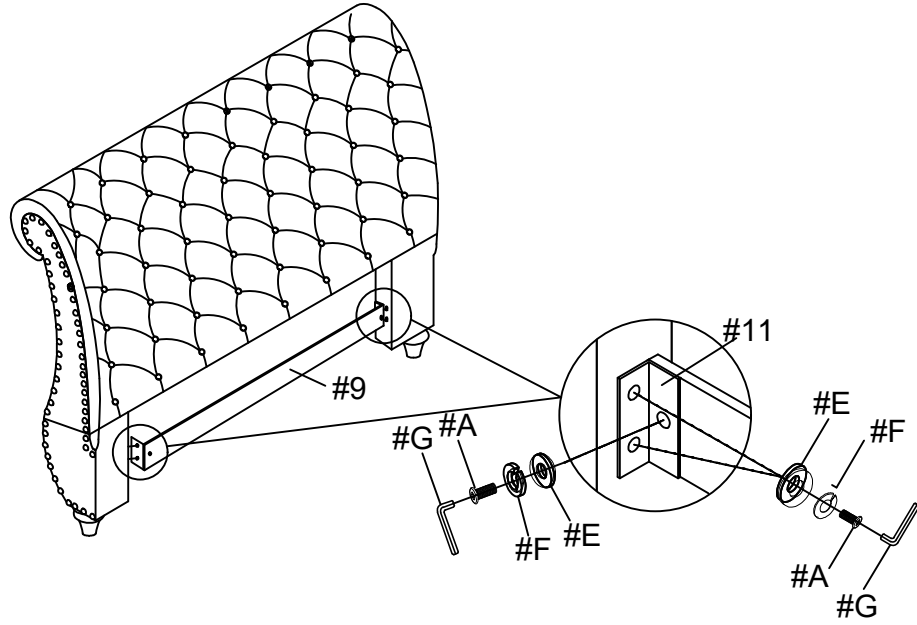
STEP.1



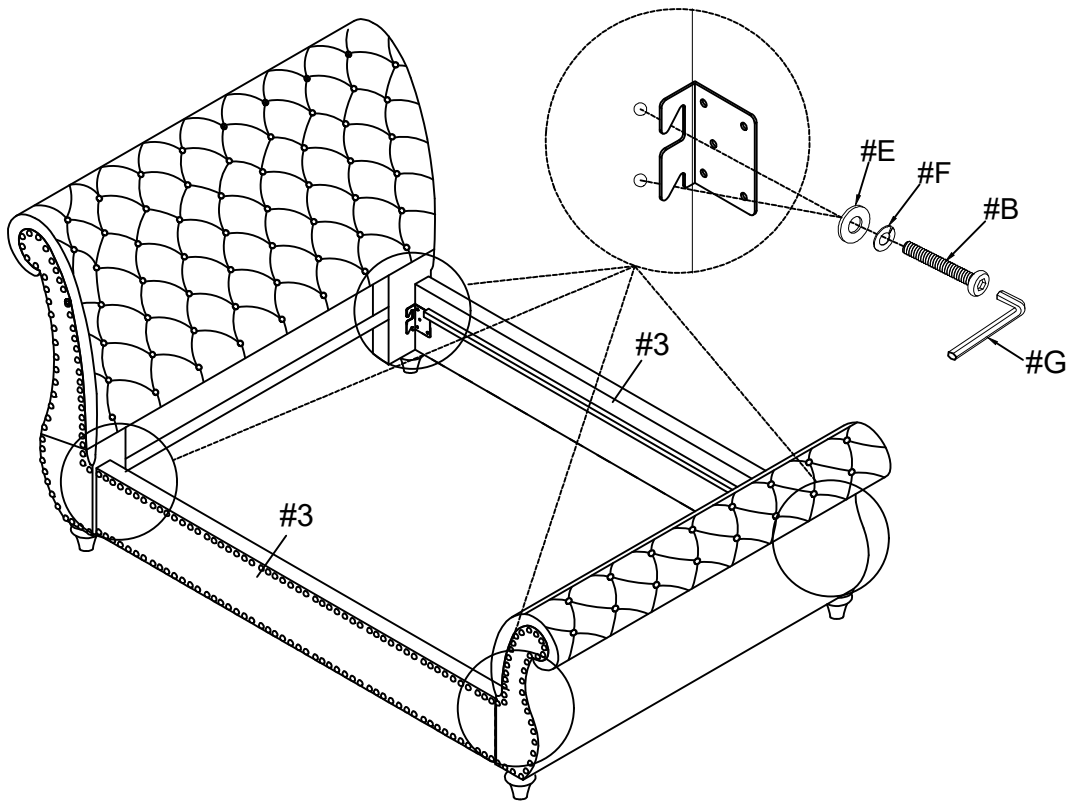
STEP.2



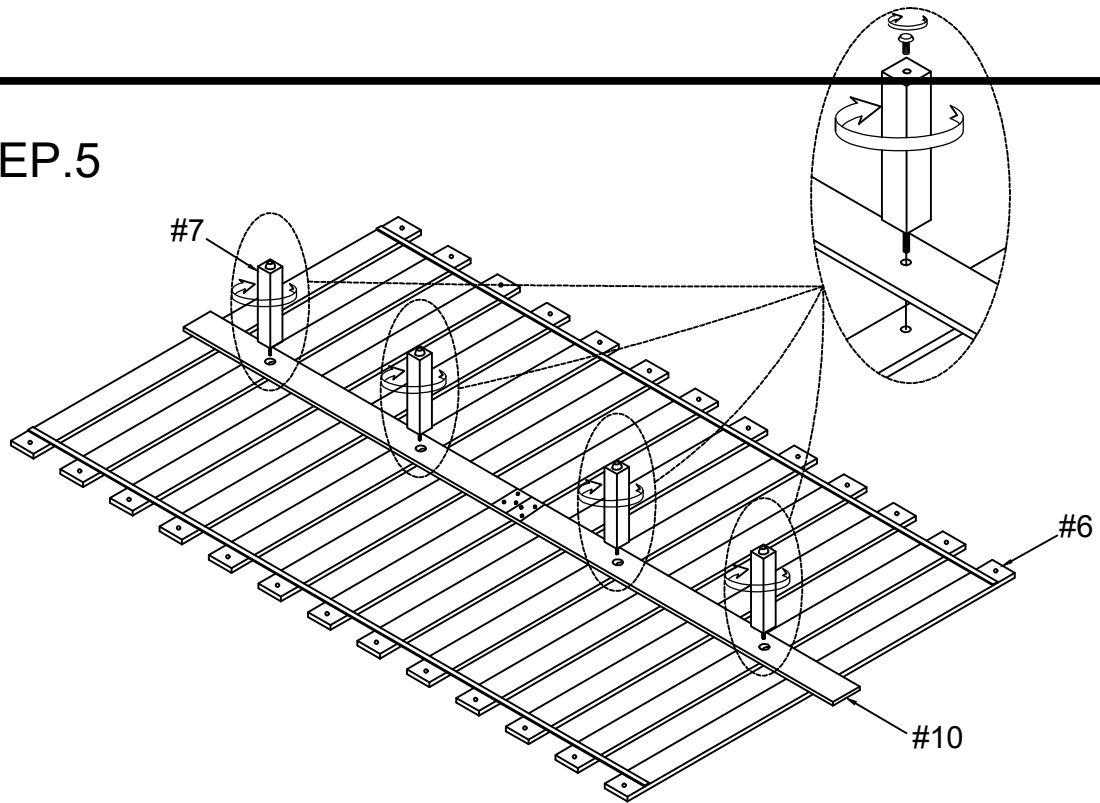
STEP.3



STEP.4



STEP.5



STEP.6

