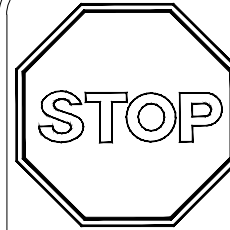


THIS INSTRUCTION BOOKLET CONTAINS  
**IMPORTANT** SAFETY INFORMATION. PLEASE  
READ AND KEEP FOR FUTURE REFERENCE.



DO NOT RETURN PRODUCT TO THE STORE  
Individual stores do not stock parts.

Lot Number: \_\_\_\_\_

Date Of Purchase: \_\_\_/\_\_\_/\_\_\_

If a part is missing or damaged, call our toll-free customer service line.  
We will gladly ship your replacement parts FREE of charge.

For prompt, reliable service please have your assembly manual ready.

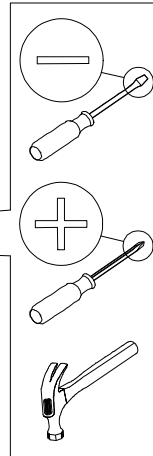
Recommended # of people needed for assembly:2  
(However it is always better to have an extra hand.)

Spanish translations are located in the center of this manual.

Thank you for purchasing .

## BEFORE STARTING

- Read each step carefully before starting. It is very important that each step of instruction is performed in the correct order. If these steps are not followed in sequence, assembly difficulties will occur.
- Make sure all parts are included. Most board parts are labeled or stamped on the raw edge.
- Work in spacious area, preferably on a carpet, near the place the unit will
- Have the following tools close at hand.
- Do not use power tools to assemble your furniture. Power tools may strip or damage the parts.



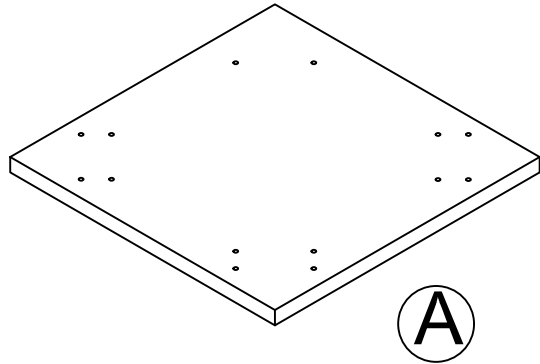
## HELPFUL HINTS

- Visit our website for assembly video clips.
- Call our toll free number if you need assistance.
- Compression dowels are tapped in with a hammer.
- Back panels provide stability and support. Use all the nails provided. Units without the back panel installed may collapse.
- When tapping nails into a board, be sure there are equal margins on all side to square the unit.
- Move your new furniture carefully, with two people lift and carry the unit to it's new location.
- Never push, drag or scoot your furniture (especially on carpet).
- Your furniture can be disassembled and reassembled to move.
- Additional parts are available for a nominal fee.

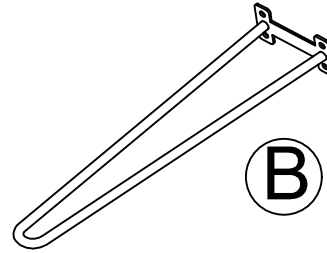
---

For help with assembly, identifying parts, product information or to order parts, please contact us

PARTS

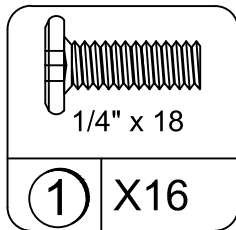


TOP

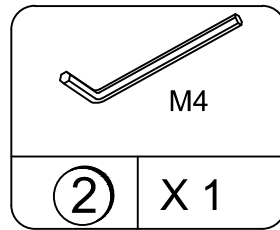


LEG

QTY:4



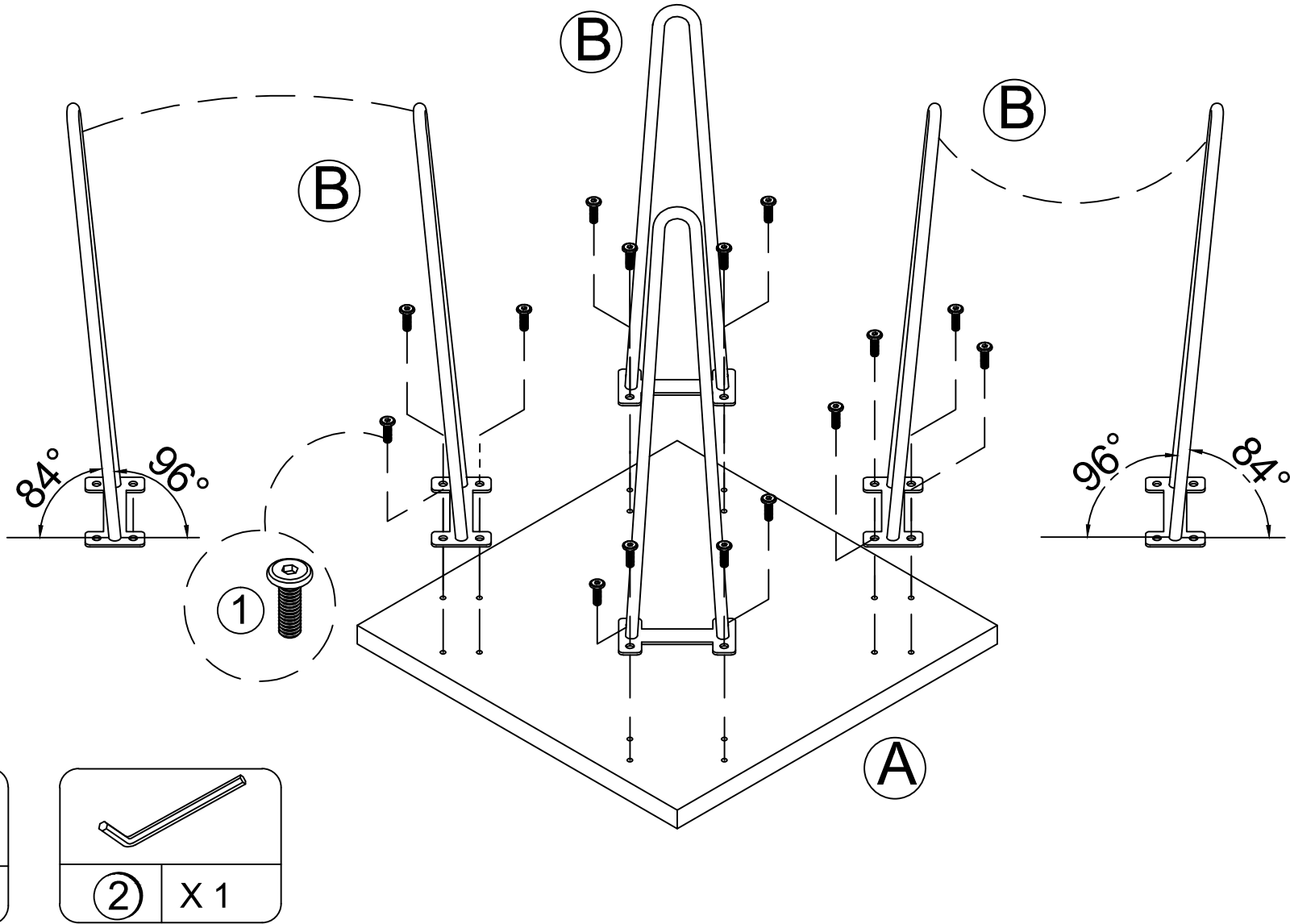
BOLT  
TTL2060  
Spare: 2



HEX KEY  
TTL5015



**1** - Attach four legs (B) to top (A) with sixteen bolts (1) as below shown.



---

Call our toll free number for any assistance you should need or visit our website

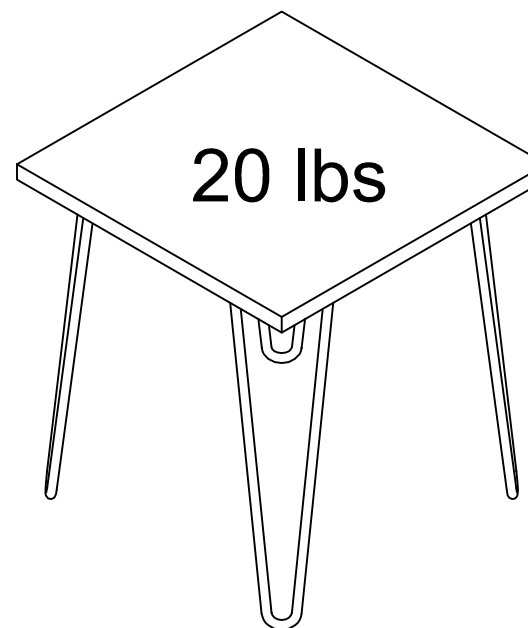
WEIGHT LIMITS:

Clean the product with your favorite furniture polish and a soft cloth. Do not use harsh chemicals or abrasive cleaners.

Before moving the unit, remove everything from the unit. Move your new furniture carefully with two people. Lift and carry the unit. Never push or drag the unit.

Do not allow children to climb or play on the unit. Failure to comply could result in severe injury.

This unit has been designed to support the maximum loads shown. Exceeding these load limits could cause unit sagging, instability, product collapse and/or serious injury.



---

Enjoy Your Furniture