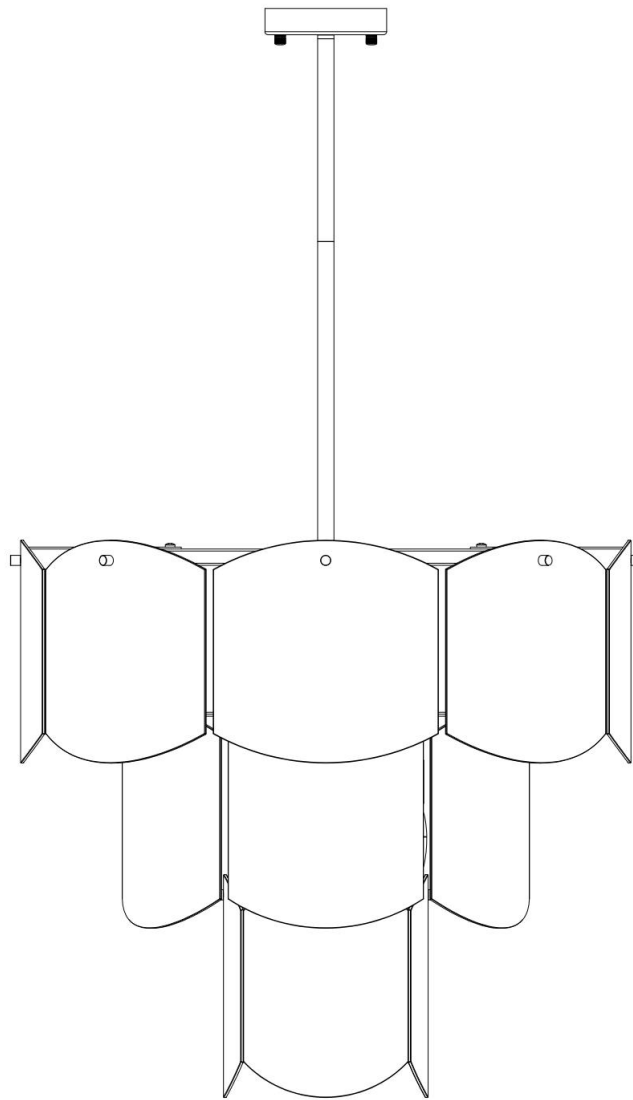


INSTRUCTION MANUAL

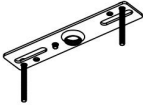

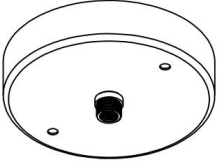
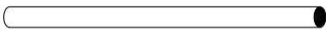

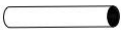






IMPORTANT: READ CAREFULLY AND KEEP.



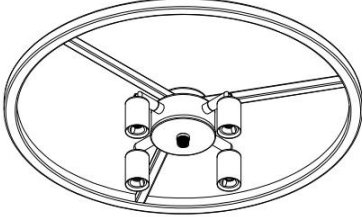
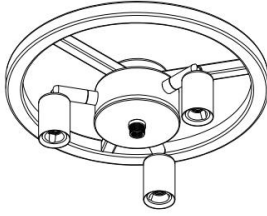
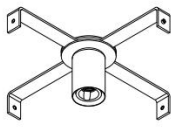
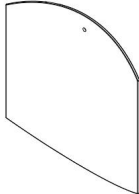
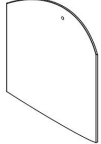




8 x E12Socket
Max.60W Bulbs
(not included)

Made in China
Residential use only
Indoor use only

PARTS LIST

| Item | Drawing | Description | Quantity |
|------|---|---------------------|----------|
| A |  | Mounting Bracket | × 1 |
| B |  | nut | × 2 |
| C |  | Canopy | × 1 |
| D |  | 16*300 Iron pipe | × 3 |
| E |  | 16*200 Iron pipe | × 3 |
| F |  | 16*100 Iron pipe | × 2 |
| G |  | M14 Screw | × 5 |
| H |  | 7-shaped iron sheet | × 14 |
| I |  | M5*10 Screw | × 14 |
| J |  | 10*10 Nut | × 18 |
| K |  | M5*14 Screw | × 18 |
| L |  | Grommet | × 18 |

INSTRUCTION MANUAL

| | | | |
|---|---|--------------------|----------|
| M |  | 4-lights Lamp body | × 1 |
| N |  | 3-lights Lamp body | × 1 |
| O |  | 1-lights Lamp body | × 1 |
| P |  | Large glass | × 8 |
| Q |  | Medium glass | × 6 |
| R |  | Small glass | × 4 |
| S |  | Wire Connector | × 3 |
| T |  | M3*30 Bolt | × 2 |
| U |  | Gloves | x 1 PAIR |

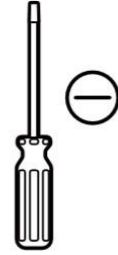
WHAT TOOL YOU WILL NEED...



Safety goggles



Phillips screwdriver



Flathead screwdriver



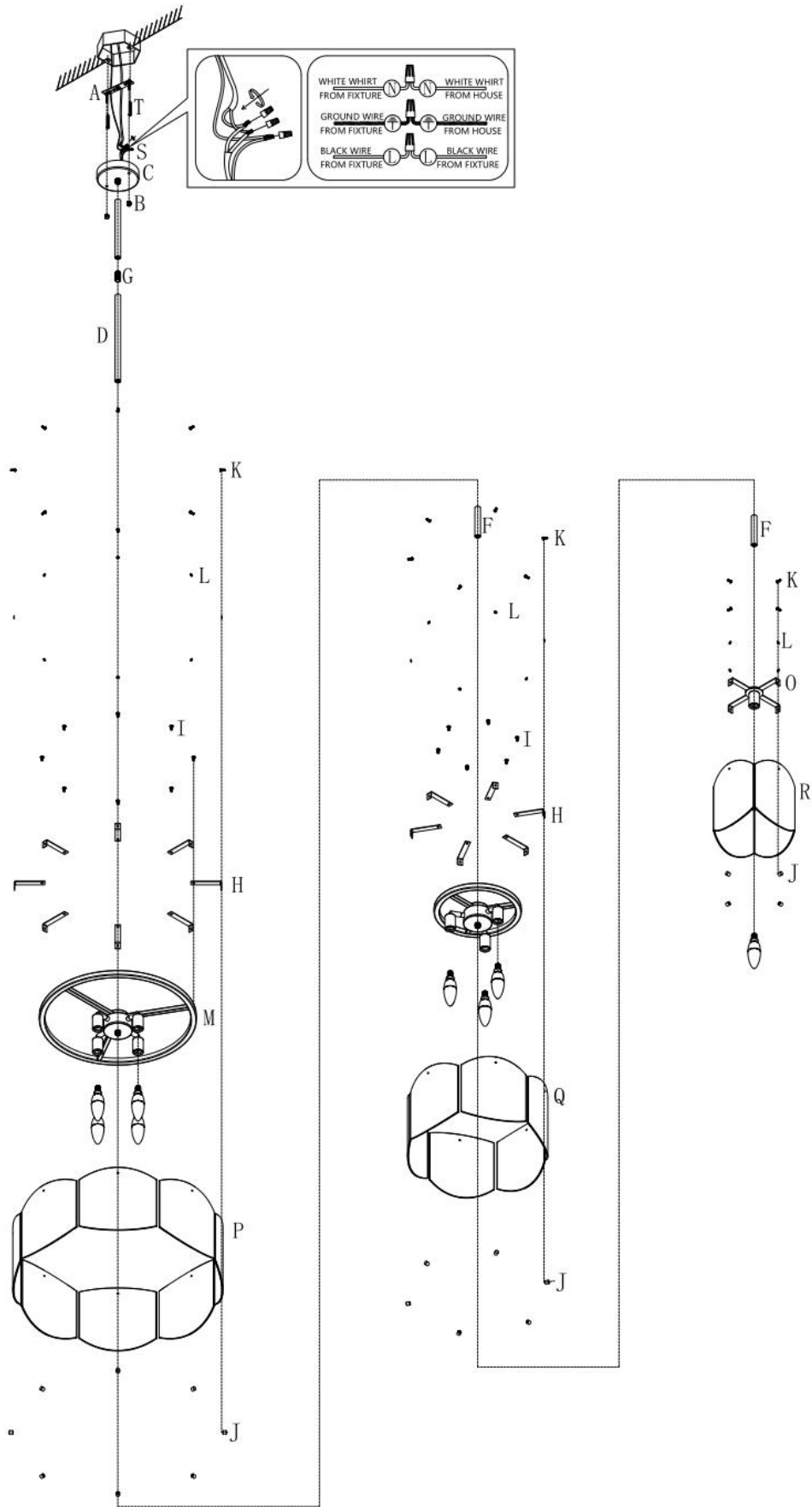
Wire strippers



Wire cutters



Ladder



IMPORTANT

This warranty applies only to the original consumer purchaser and only to products used in normal use and service. If this product is found to be defective, the manufacturer's only obligation, and your exclusive remedy, is the repair or replacement of the product at the manufacturer's discretion, provided that the product has not been damaged through misuse, abuse, accident, modifications, alterations, neglect, or mishandling.

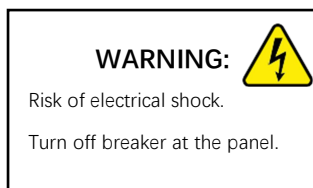
This warranty shall not apply to any product that is found to have been improperly installed, set-up, or used in any way not in accordance with the instructions supplied with the product.

This warranty shall not apply to a failure of the product as a result of an accident, misuse, abuse, negligence, alteration, faulty installation, or any other failure not relating to faulty material or workmanship.

The manufacturer does not warrant and specifically disclaims any warranty, whether express or implied, of fitness for a particular purpose, other than the warranty contained herein. The manufacturer specifically disclaims any liability and shall not be liable for any consequential or incidental loss or damage, including but not limited to any labor / expense costs involved in the replacement or repair of said product.

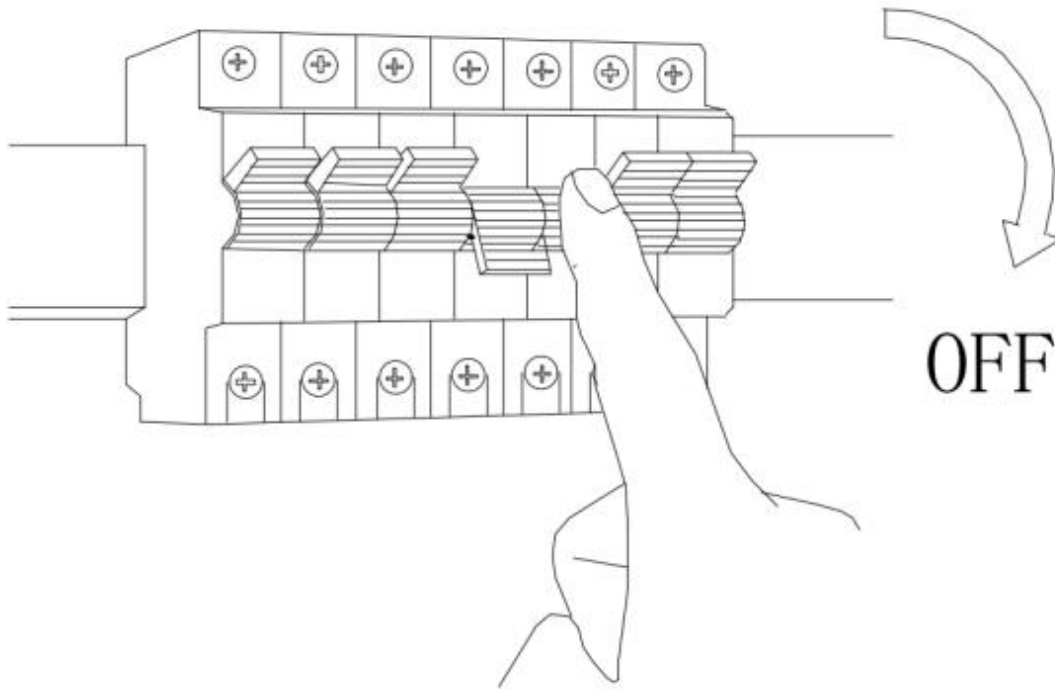
Switch off the main electrical supply from the fuse box/circuit breaker before installing the unit or doing any maintenance.

Do not use outdoor.

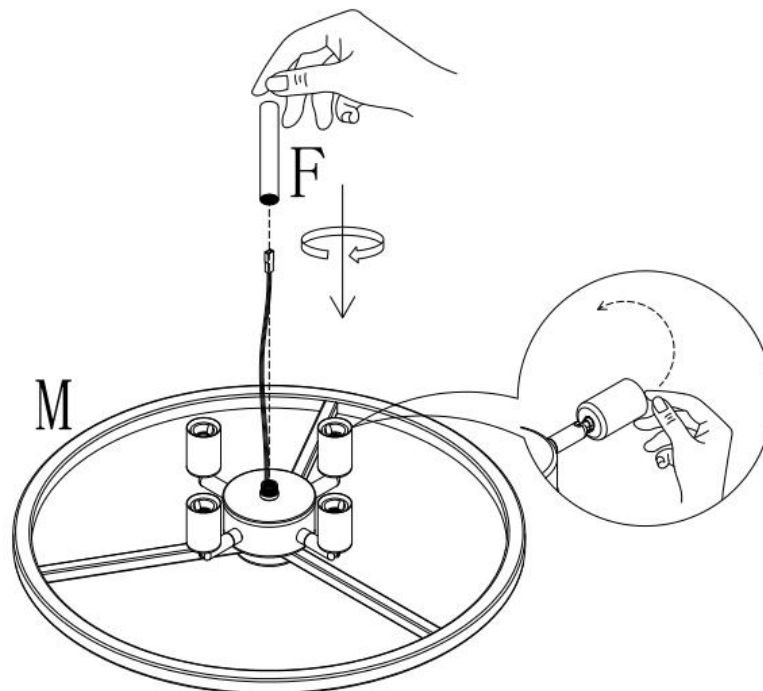


INSTALLATION

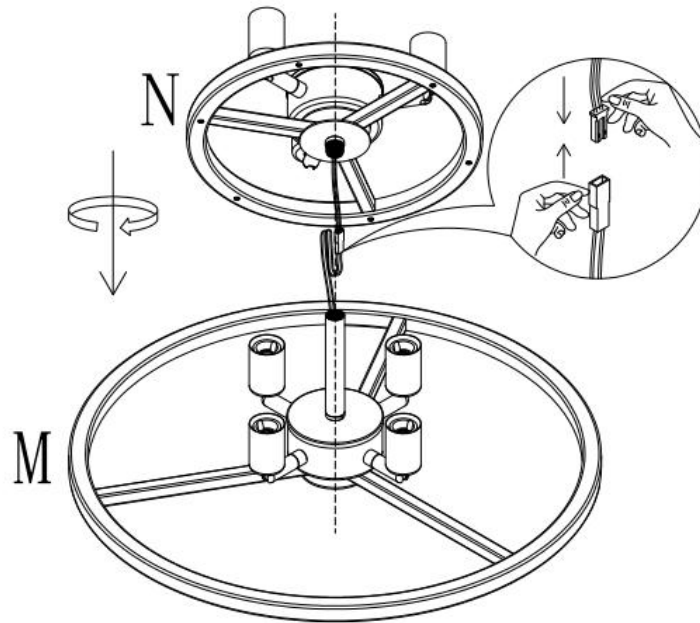
WARNING: First of all, turn off the power at the main fuse box!



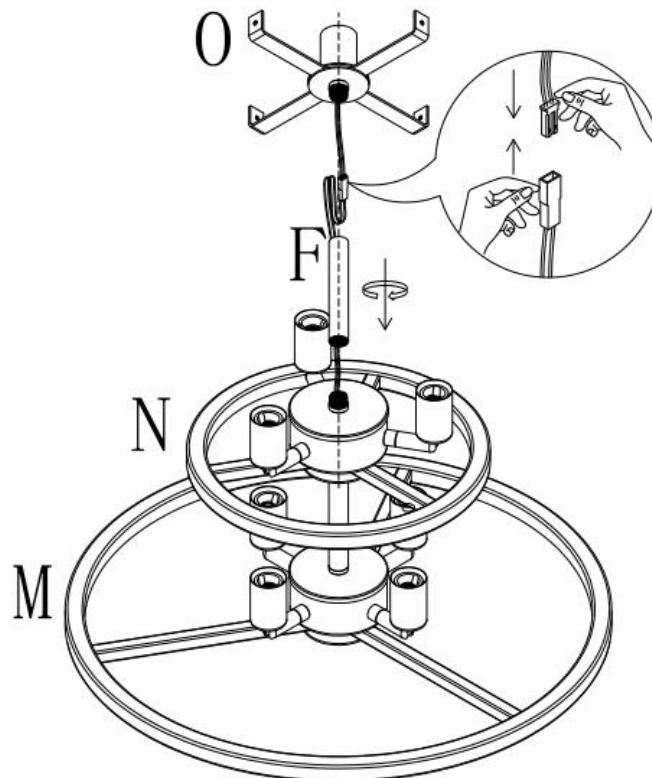
1. Tighten the 16 * 100 Iron pipe onto the wires of the 4-lamps Lamp body;
Turn the lamp head downwards;



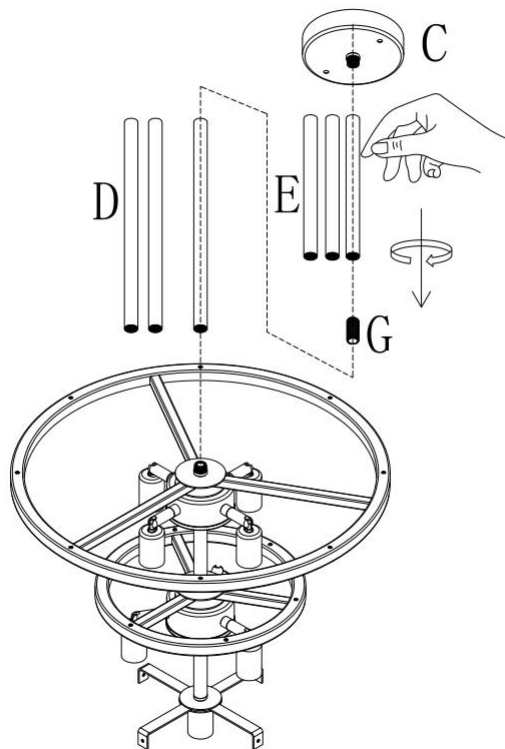
2. Connect the lamp bodies with three and four lamp heads using a 16 * 100 Iron pipe;
(Don't forget to connect the wires inside them together.)



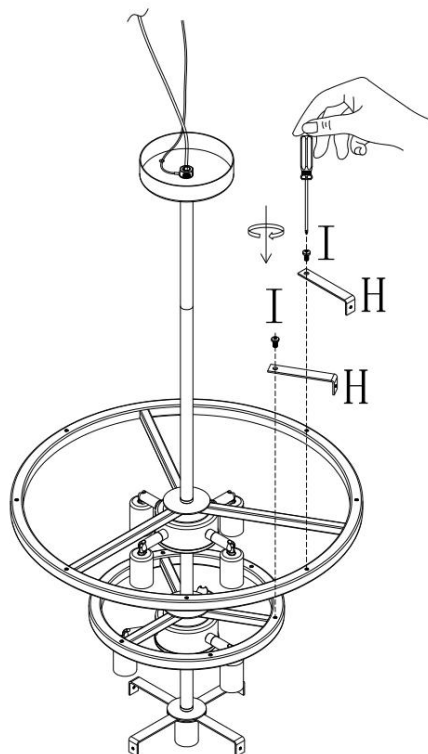
3. Use the same steps as before to install the 1-lights Lamp body;
(Don't forget to connect the wires inside them together.)



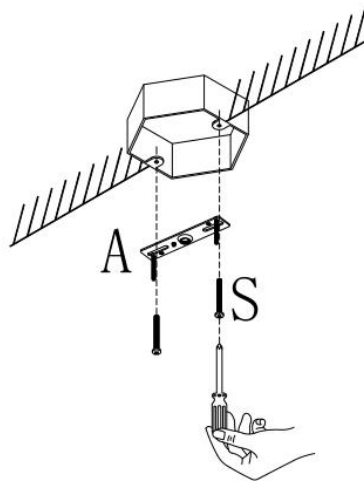
4. Insert the iron pipe onto the wires on the upper part of the lamp body by M14 Screw according to your preferred length and install canopy;



5. Use M5 * 10 Screw to install the 7-shaped iron sheets onto the lamp body separately;

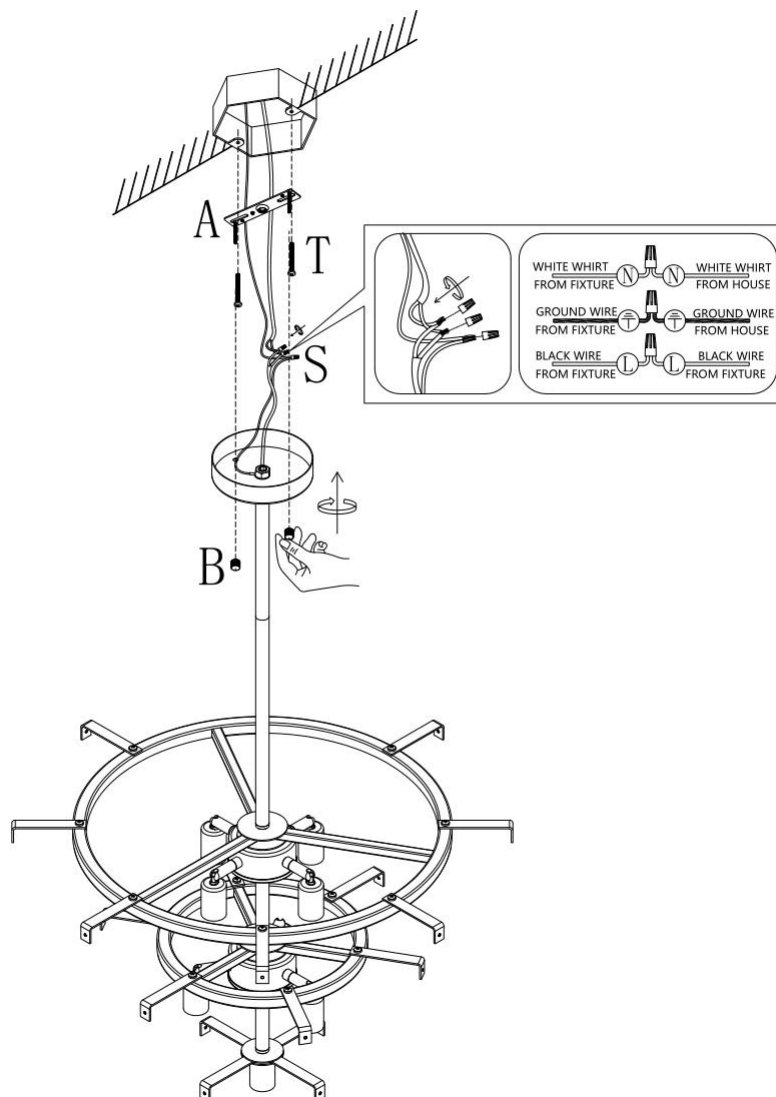


6. Screw the mounting bracket to ceiling junction box;

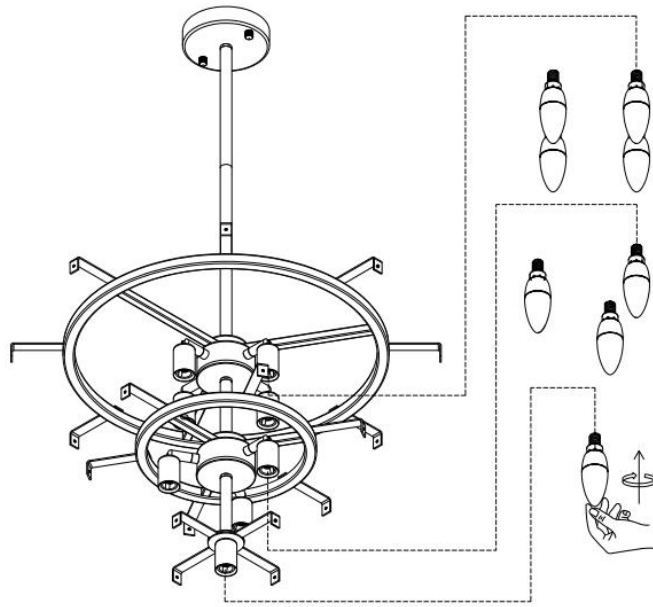


7. Fix the lamp on ceiling:

- a) Connect the wires from lamp body and ceiling junction box together with wire connectors;
- b) Push the canopy up to the ceiling, and then screw it on the mounting bracket;
- c) Screw the bulb into the lamp holder;



8. Install the light bulb;



9. Use 10 * 10 Nut, Grommet, and M5 * 14 Screw to secure the glass sheets onto the 7-shaped iron sheet;

