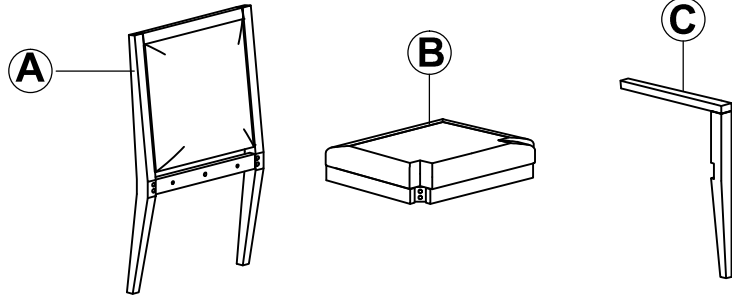


MODESTO WOOD ARM CHAIR ASSEMBLY INSTRUCTIONS

PARTS PACKING CONFIGURATIONS

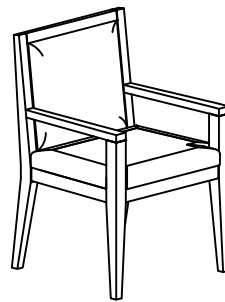
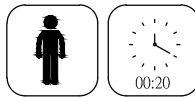
- A. CHAIR BACK 1 PC
- B. SEAT CUSHION 1 PC
- C. CHAIR ARM/LEG 2 PCS



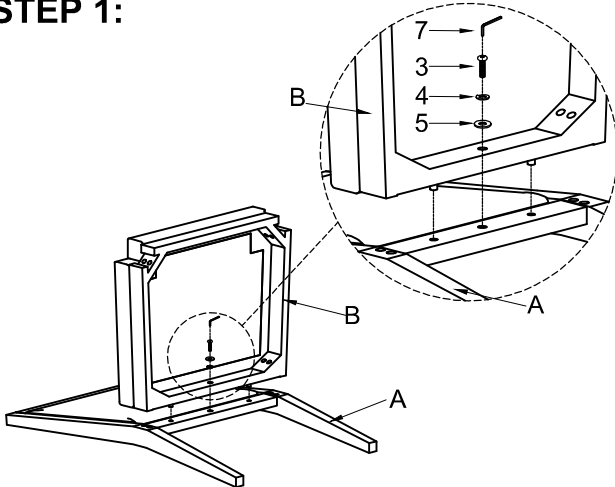
HARDWARE ENCLOSED IN CARTON

| No | Description | Photo | Quantity |
|----|---------------------------|-------|----------|
| 1 | ALLEN BOLT (5/16 x 2) | | 4 PCS |
| 2 | ALLEN BOLT (5/16 x 3) | | 4 PCS |
| 3 | ALLEN BOLT (5/16 x 1-3/4) | | 1 PC |
| 4 | LOCK WASHER (5/16) | | 9 PCS |
| 5 | FLAT WASHER (5/16) | | 9 PCS |
| 6 | SCREW (8 x 1-1/2) | | 2 PCS |
| 7 | ALLEN KEY | | 1 PC |

MODESTO ARM CHAIR FULLY ASSEMBLED

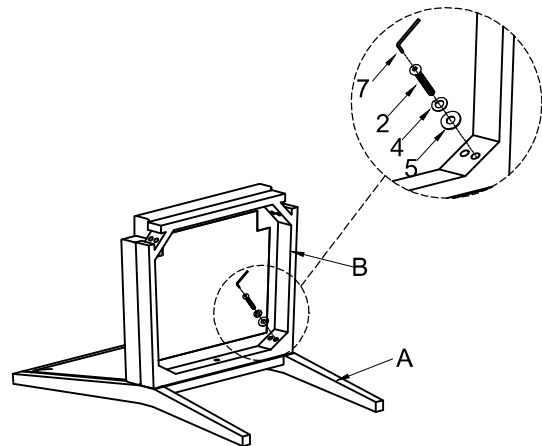


STEP 1:



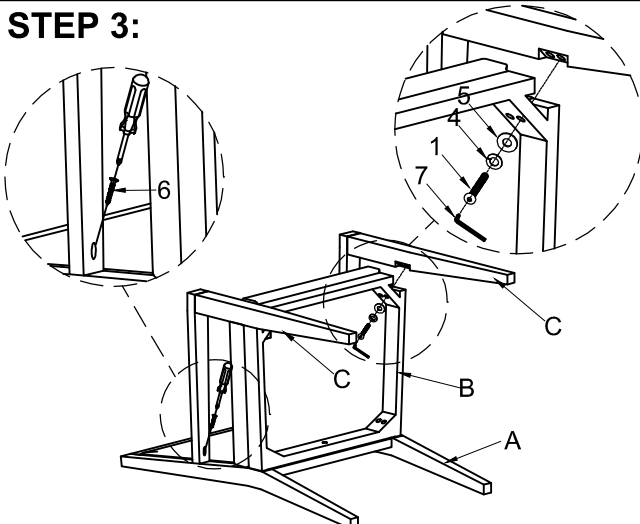
DO NOT TIGHTEN BOLTS COMPLETELY

STEP 2:



DO NOT TIGHTEN BOLTS COMPLETELY

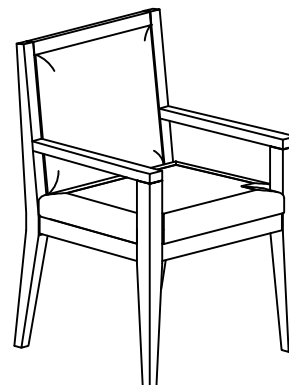
STEP 3:



DO NOT TIGHTEN BOLTS OR SCREWS COMPLETELY

STEP 4:

ON A FLAT, LEVEL SURFACE PLACE THE CHAIR UPRIGHT. WHEN CHAIR IS LEVELED, PLEASE TIGHTEN ALL ASSEMBLY BOLTS AND SCREWS.



FULLY ASSEMBLED