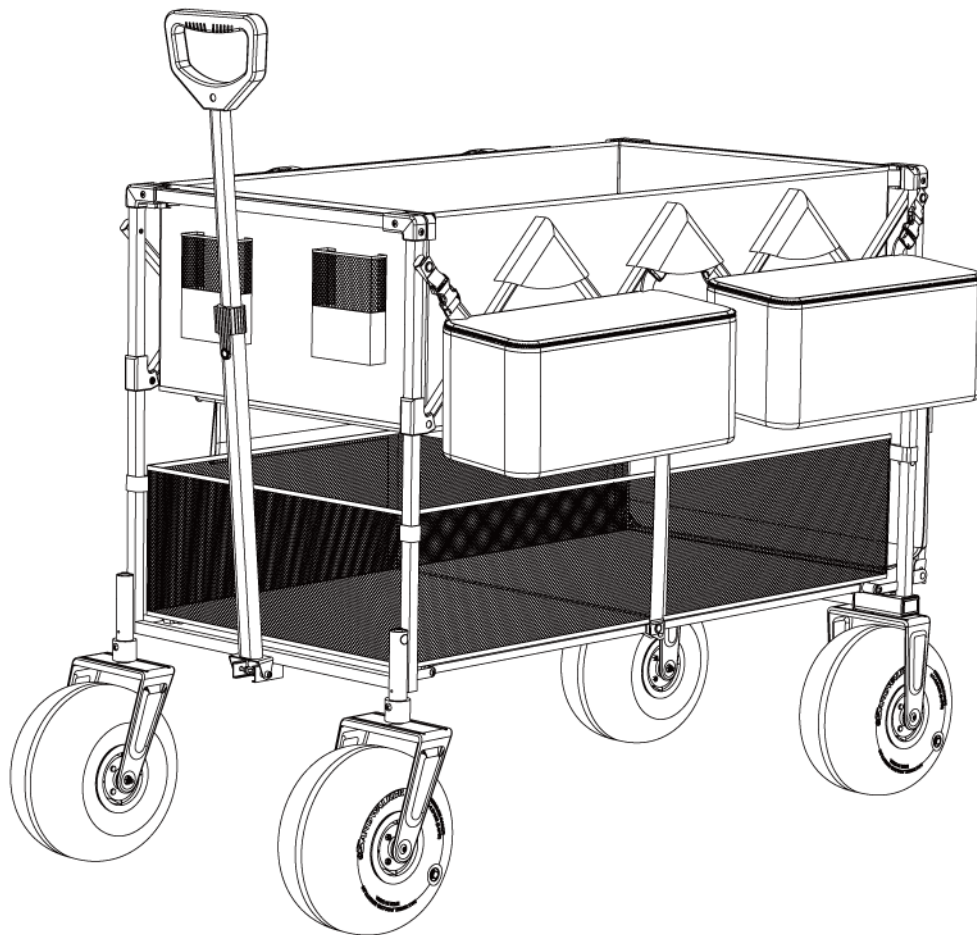


# Assembly Instructions

## Beach Cart OUT844

**Note:** Please follow the instructions for more convenient installation.

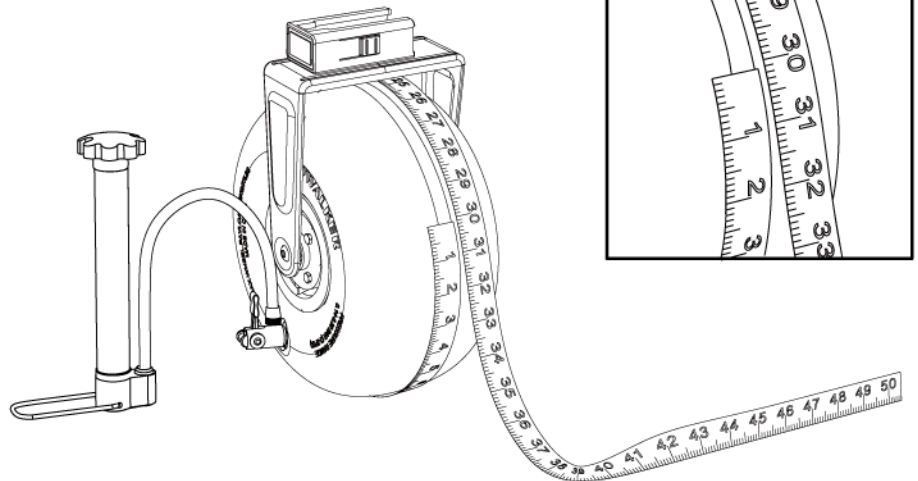


**Note:** Be careful when moving in areas with sharp objects to avoid puncturing or damaging the airbag tires. Please read the instructions carefully before inflating the tires. Over-inflating the tires may cause deformation and make them unusable.

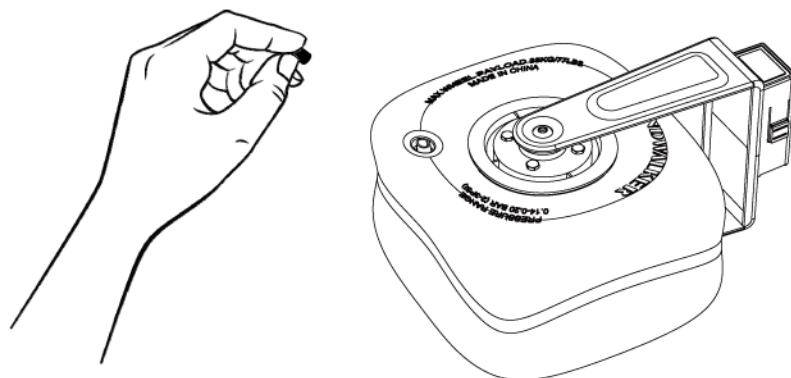
## \*\*\*IMPORTANT\*\*\*

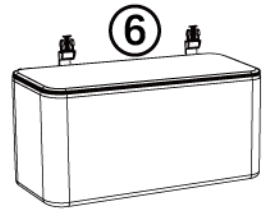
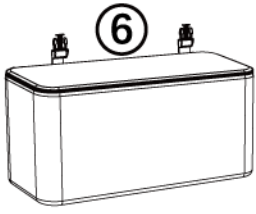
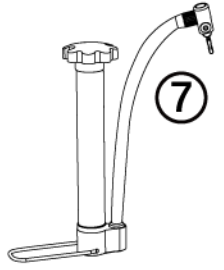
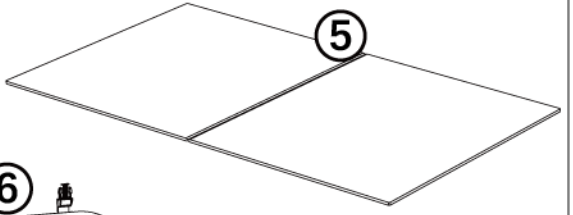
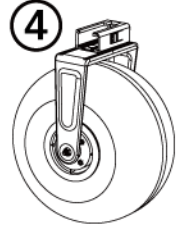
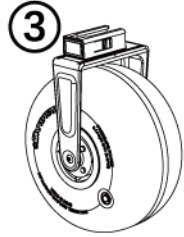
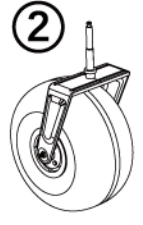
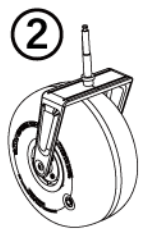
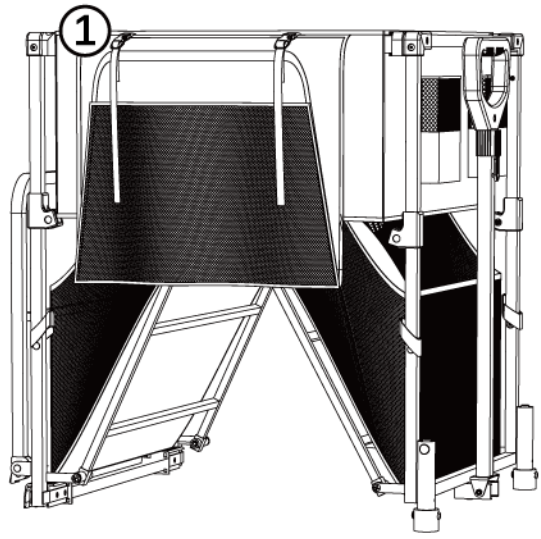
Do not over-inflate tires!

This product is equipped with next-generation PU all-terrain wheels, suitable for various surfaces such as sand, grass, and gravel. However, tire pressure should be slightly adjusted according to the usage environment. If used on the beach or in other high-temperature ground conditions, to prevent over-inflation and potential tire bursts, the tire pressure should be kept below 3 psi. Alternatively, you can use a tape measure to check that the circumference at the center of the tire surface does not exceed 29.5 inches (75 cm) after inflation. For normal use on other surfaces, standard inflation is acceptable. In this case, it is recommended that the circumference at the center of the tire surface be approximately 30.1 inches (76.5 cm).

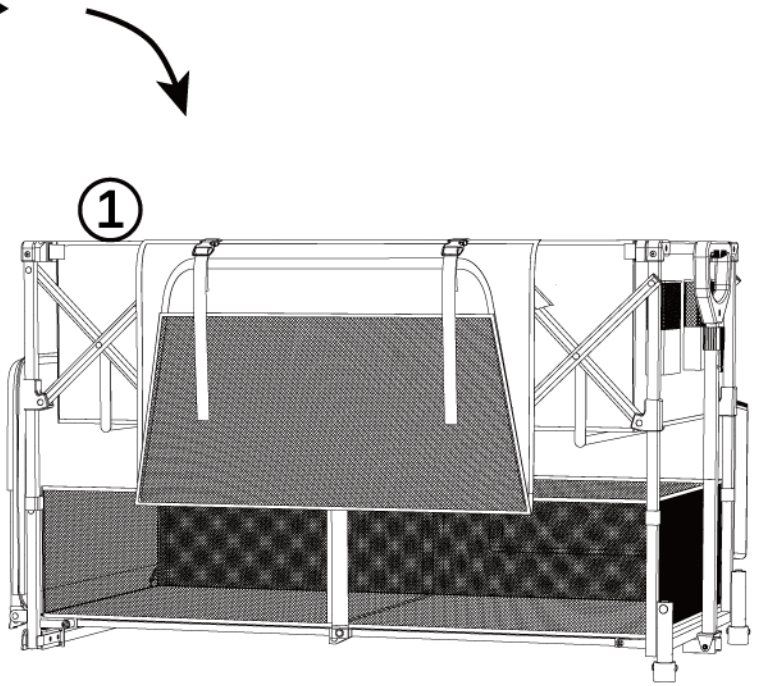
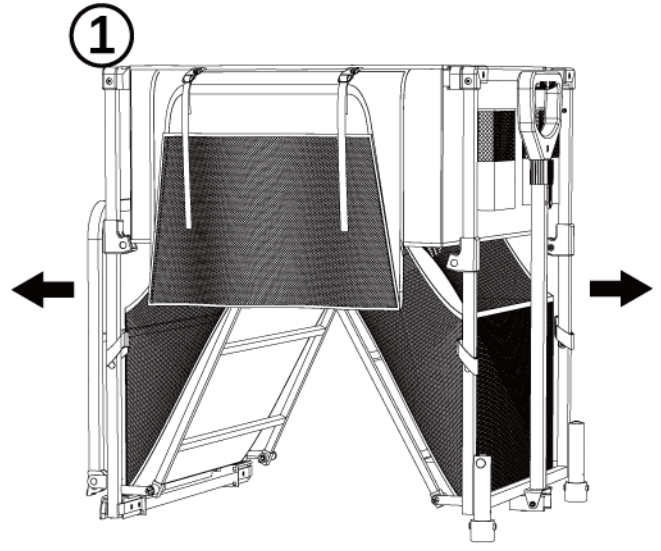


If the tire pressure is at any point too high due to accidental excessive inflation and there is deformation where the tire is stuck in an overexpanded state causing rubbing against the cart, there may be a chance to return tires to normal size and correct the over expansion. However, overinflated tires will not rebound in a short period of time or just by letting excessive air out. Tire needs to be placed in a deflated state (let the air out then press down on the tire to ensure it is mostly deflated) for at least 24 hours then try to re-inflate.

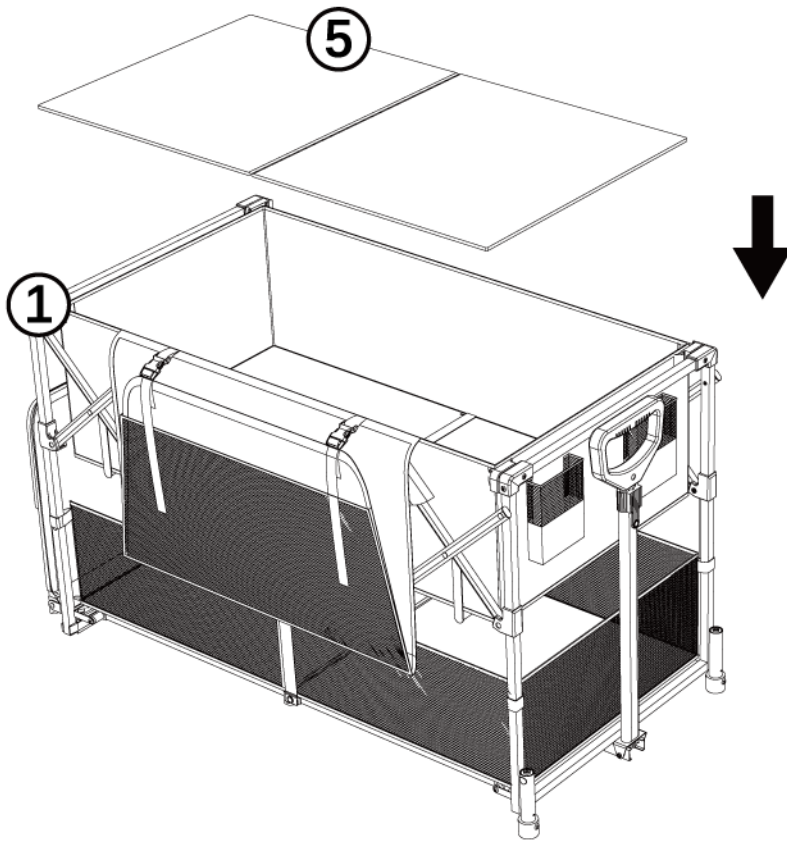




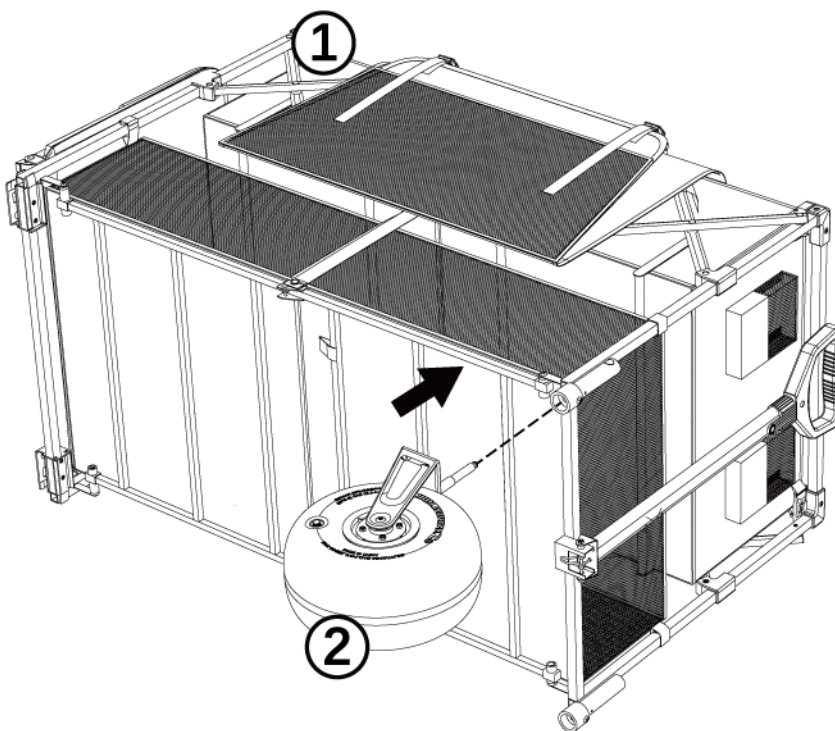
**1** Unfold the beach cart frame (Part# 1).



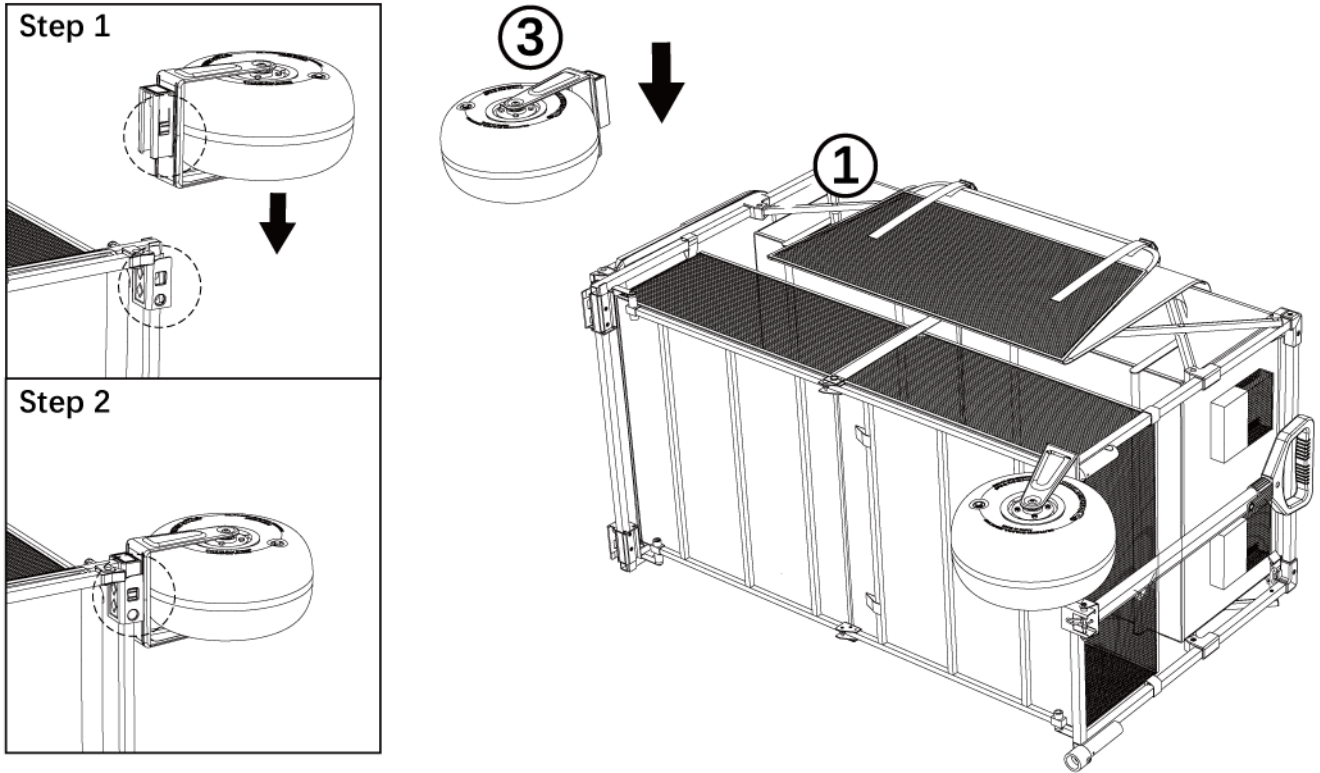
**2** Place the bottom panel (Part# 5) onto the upper part of the frame.



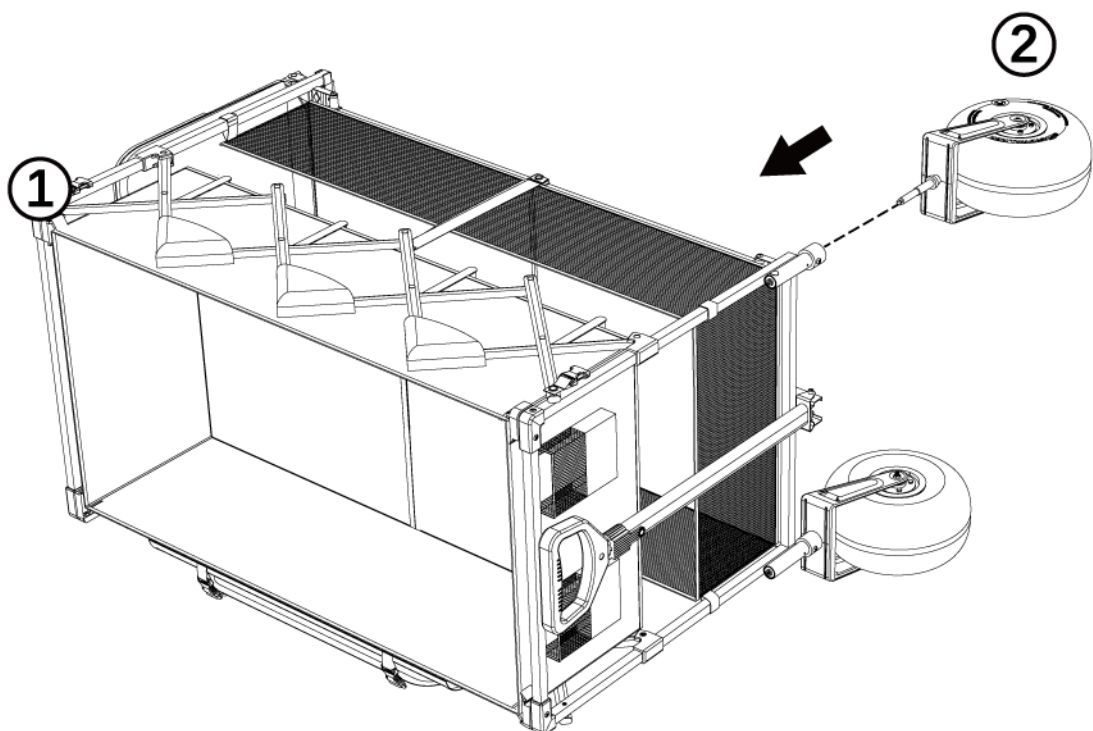
**3** The two front wheels (Part# 2) are identical and interchangeable. As shown in the diagram, insert the axle of the front wheels into the corresponding holes on the frame.



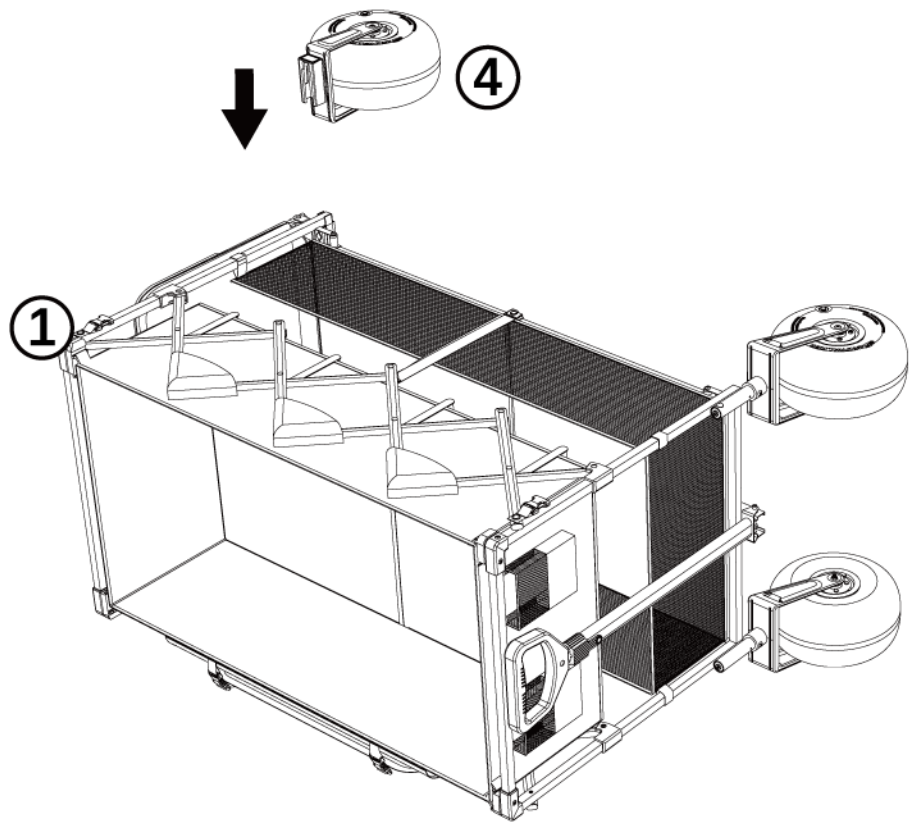
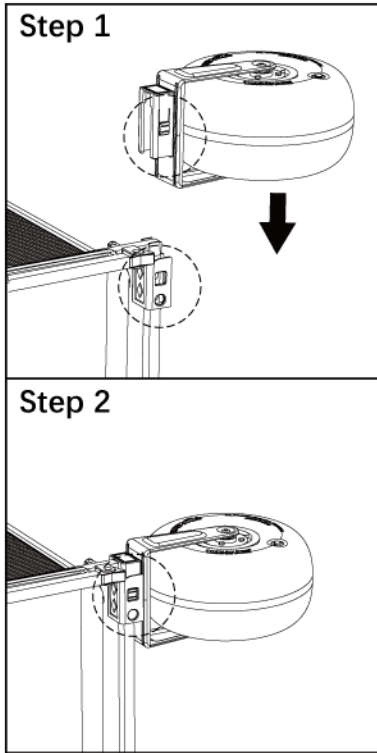
- 4** The two rear wheels are not interchangeable due to different locking mechanisms. When installing, pay attention to the orientation. Align Part# 3 with the slot on the frame, insert it all the way down to complete the connection.



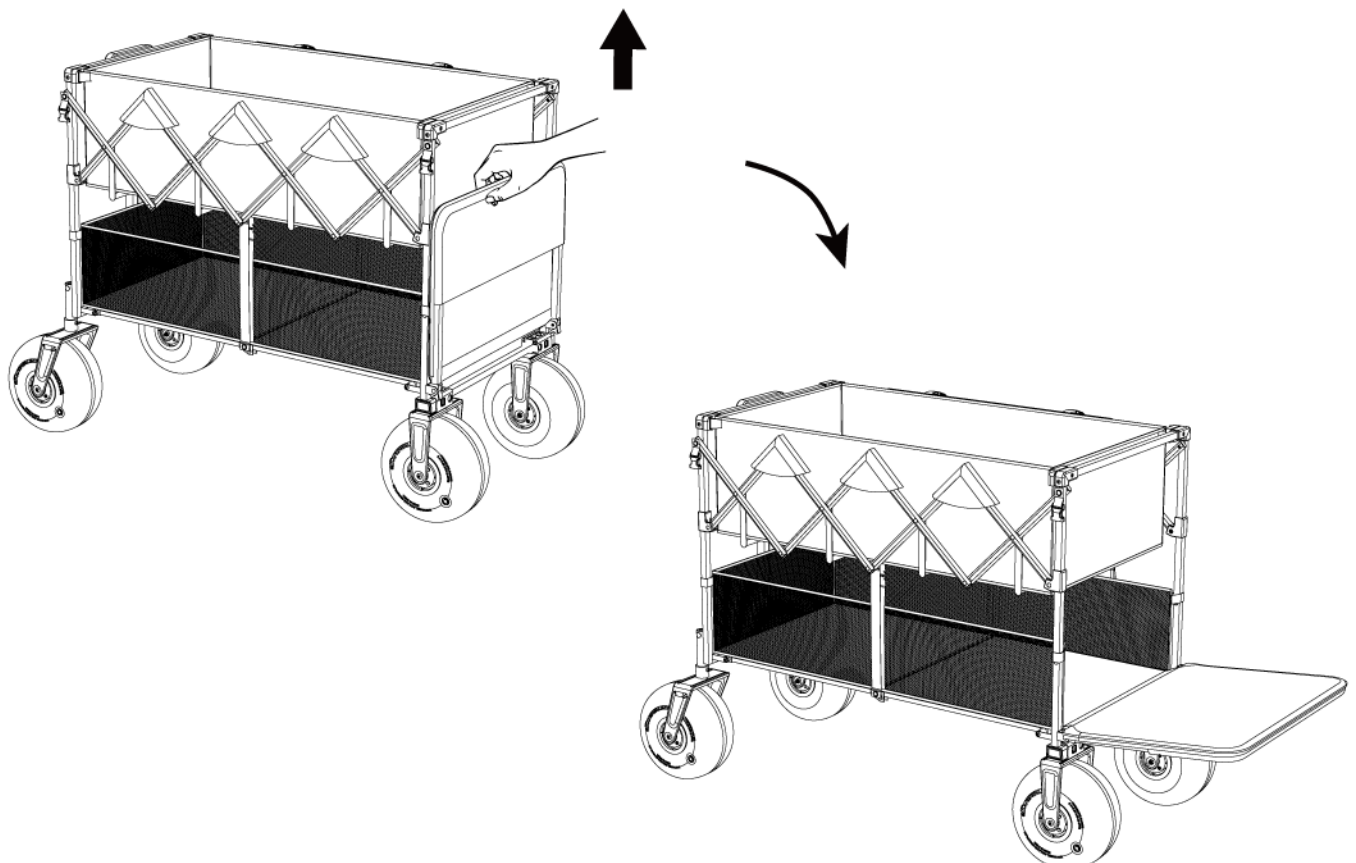
- 5** As shown in the diagram, insert the axle of the front wheels (Part# 2) into the corresponding holes on the frame.



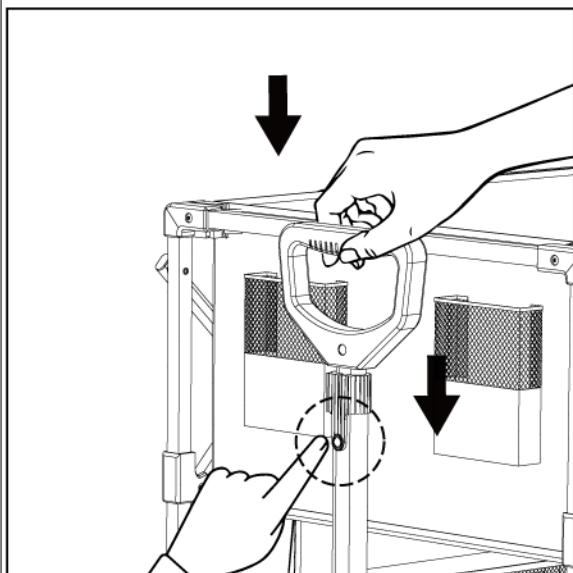
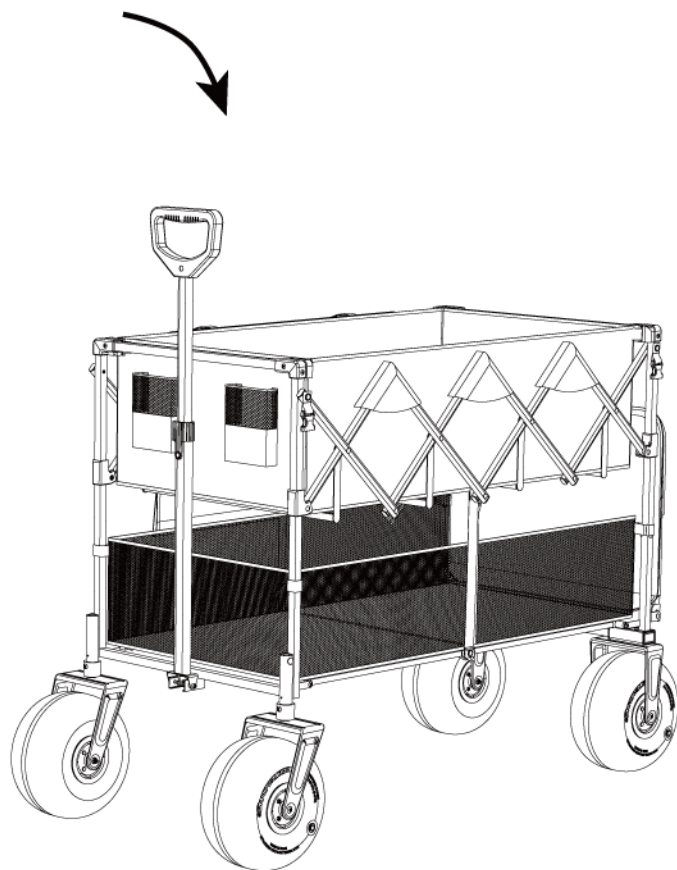
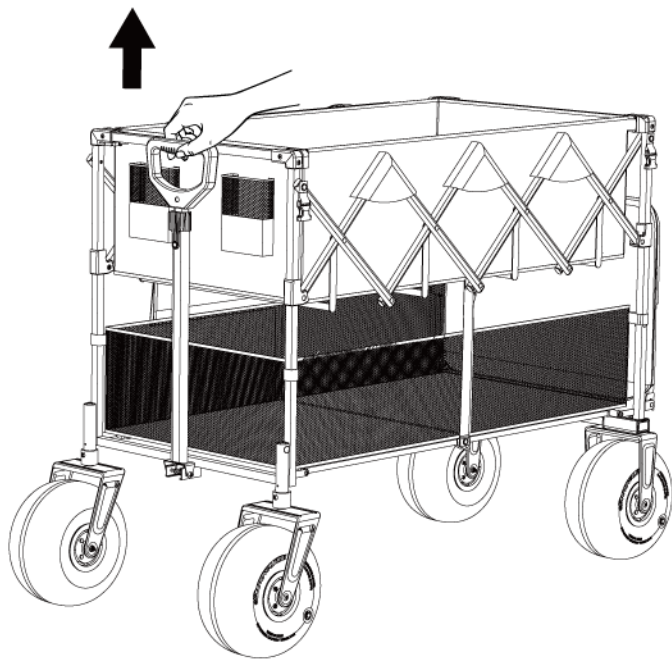
**6** As shown in the diagram, align Part# 4 with the slot on the frame, insert it fully to complete the connection.



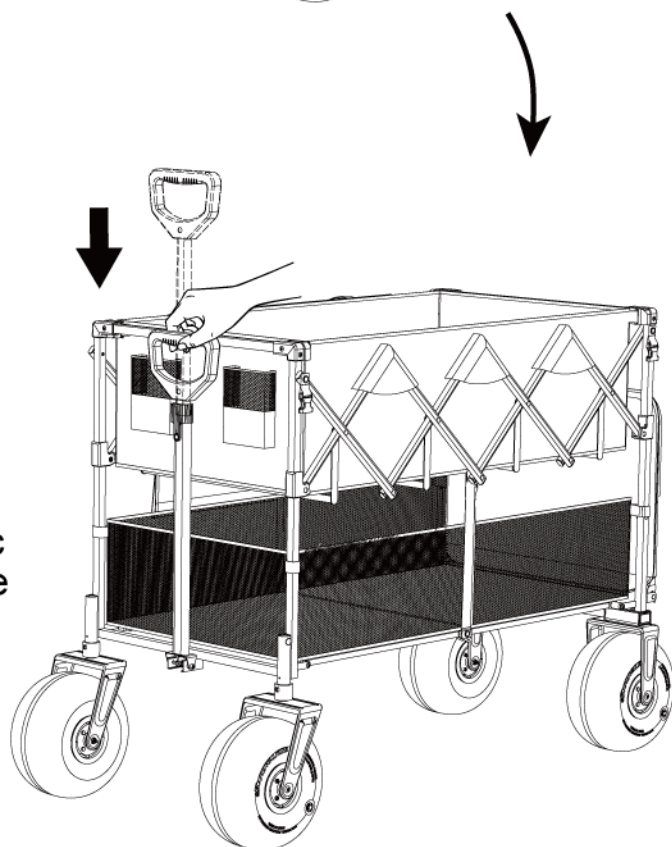
**7** Before flipping open the cart after unfolding, lift the top cover slightly upward and then rotate it open. Do not force it open violently, as this may damage the structure.



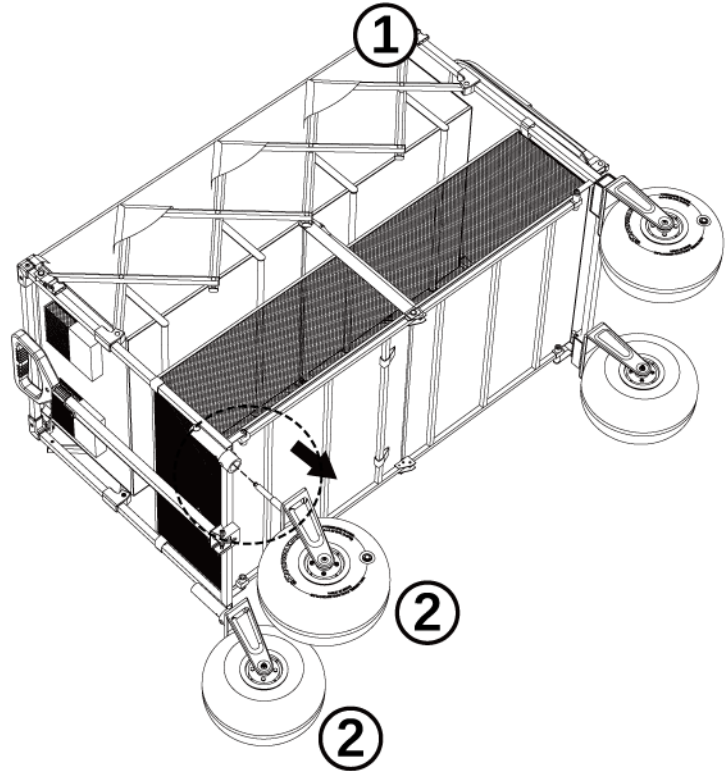
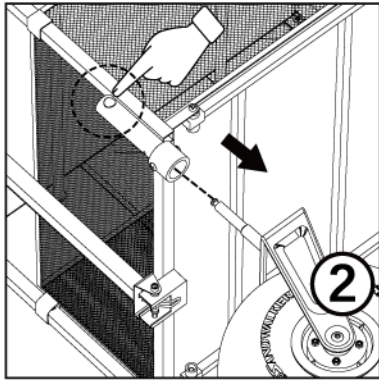
**8** The handle is extendable.  
To extend the handle, simply pull it upward.



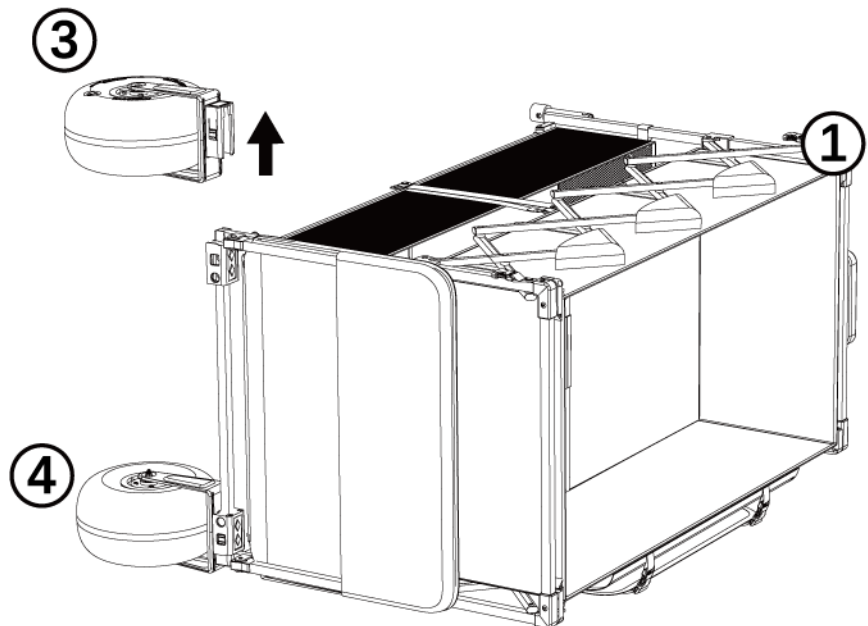
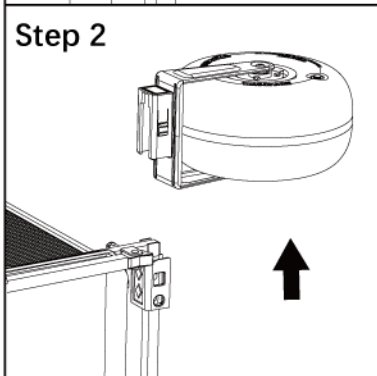
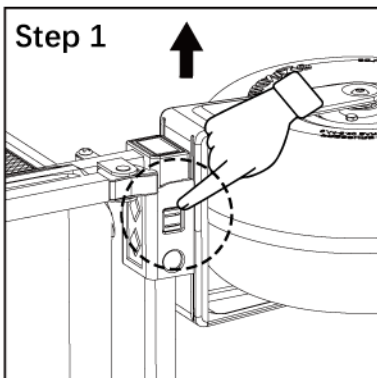
To retract the handle, press the plastic button as shown in the diagram before pushing it down.



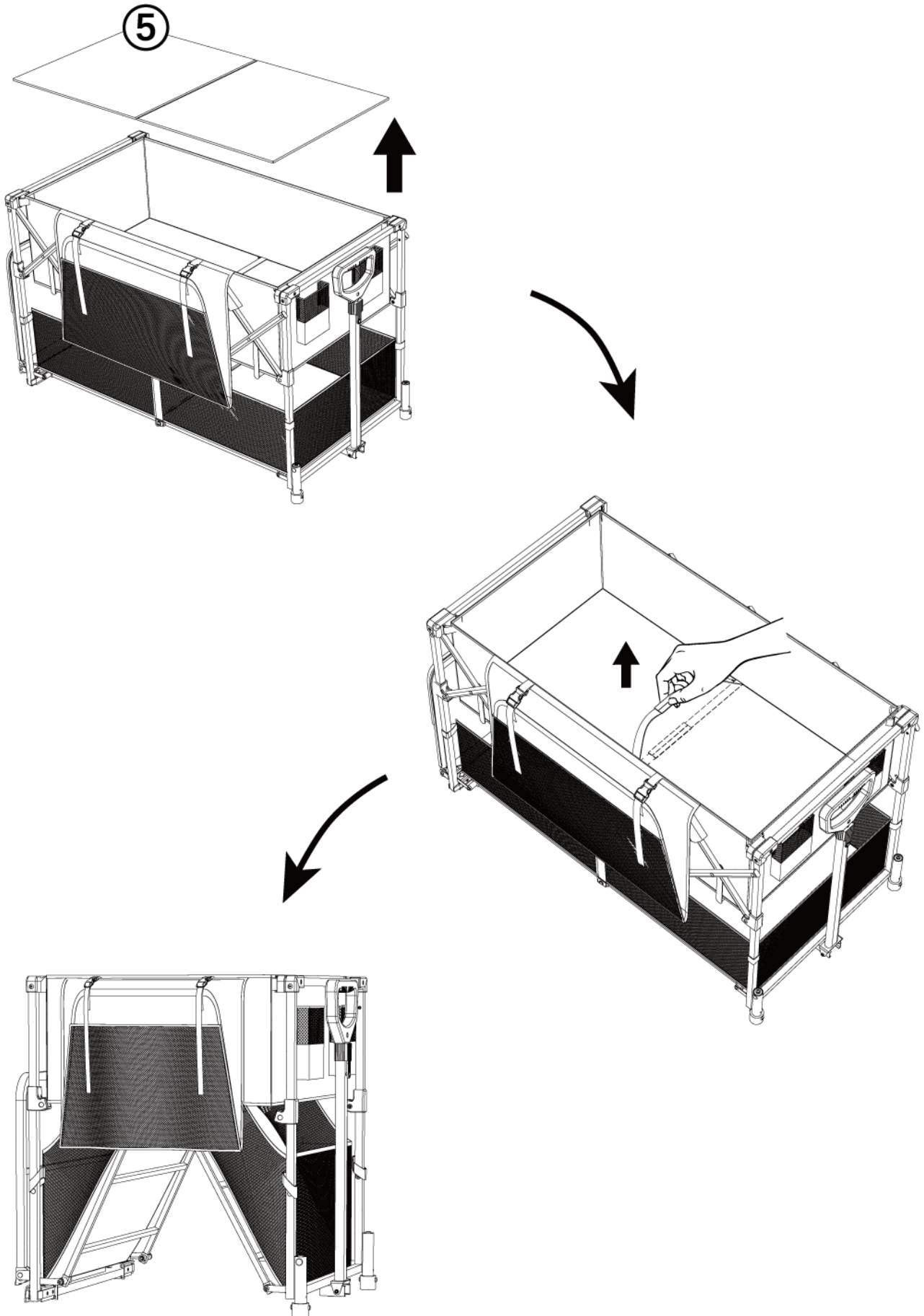
**9** To remove the front wheels (Part# 2), press the button on the frame as shown, and then pull the wheel out.



**10** To remove the rear wheels, press the entire button and pull the wheel outward. If it's difficult to pull out, make sure the button is fully pressed, and gently wiggle the wheel up and down while pulling.



**11** Before folding the cart, first remove the bottom panel (Part# 5), then pull the strap upward to fold the cart automatically. If the cart cannot be folded, check whether the fabric bag is still strapped to the lowest metal bar.



Insert Part# 6 into the corresponding position on the frame as shown.

