

ASSEMBLY INSTRUCTION



TOOLS REQUIRED:

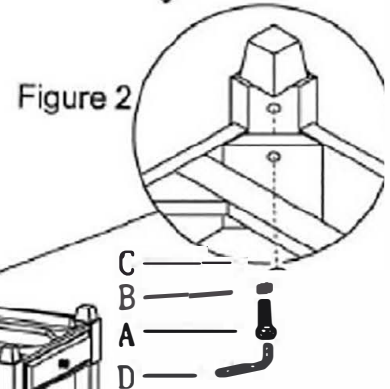
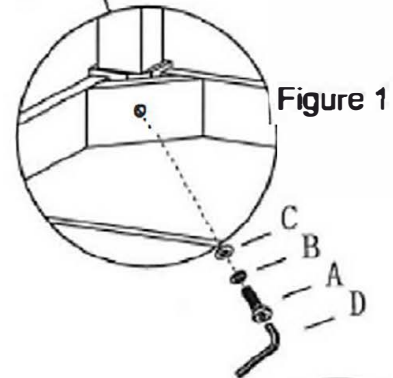
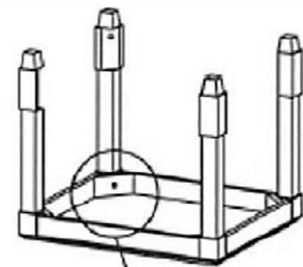
Allen Wrench (Provided, Part D)
Phillips Screw Driver (Not Provided)





BEFORE YOU START:

1. Check the hardware against the hardware list to make sure all items are present.
2. Assemble your furniture on a soft, flat surface to avoid scratching the finish.
3. **CAUTION:** Do not over tighten screws, nuts or bolts during assembly.
4. Your furniture may require occasional tightening.

INSTRUCTIONS:

1. Turn the table Top upside down on a clean soft surface.
2. Assemble the legs to the top using Bolt (A), Lock Washer (B), Flat Washer (C) and Allen Wrench (D). **DO NOT FULLY TIGHTEN!** As shown in Figure 1 .
3. Assemble bottom drawer box shelf to the legs using Bolt (A), Lock Washer(B), Flat Washer (C) and tighten all bolts using Allen Wrench (D), as shown in Figure 2 .
4. Tighten all bolts before using the table.



HARDWARE LIST			
A		5/16"x1-3/4" Bolt	8pcs
B		5/16" Lock Washer	8pcs
C		5/16" Flat Washer	8pcs
D		5/16" Allen Wrench	1pc