

## **INSTALLATION ASSEMBLY**



**MADE IN CHINA**

**CAUTION: ANY MATTRESS USED IN THIS TODDLER BED MUST BE AT LEAST 51-5/8 INCHES (131CM) BY 27-1/4 INCHES ( 69CM ) WITH A THICKNESS OF AT LEAST 4 INCHES ( 10CM ) BUT NOT EXCEEDING 6 INCHES (15CM) . INFANTS CAN SUFFOCATE IN GAPS BETWEEN CRIB SIDES AND A MATTRESS THAT IS TOO SMALL.**

## **⚠ WARNING:**

**\*\*\*\* KEEP INSTRUCTIONS FOR FUTURE USE \*\*\*\***

**READ ALL INSTRUCTIONS BEFORE ASSEMBLY**

**CAUTION:** BEFORE USING THIS TODDLER BED, RECHECK ALL SCREWS TO BE SURE THAT THEY ARE TIGHTENED SECURELY. A PERIODICAL CHECK SHOULD BE MADE TO CONFIRM THAT ALL SCREWS & NUTS REMAIN TIGHT.

**DO NOT** SUSPEND STRINGS OVER THE TODDLER BED OR ATTACH STRINGS TO TOYS.

**DO NOT** PLACE THE TODDLER BED NEAR A WINDOW WHERE CORDS FROM BLINDS OR DRAPES CAN STRANGLE A CHILD.

**DO NOT** TIE PACIFIER, NECKLACES, OR ANY OTHER ITEMS AROUND A CHILD'S NECK OR ON THE PARTS OF TODDLER BED. THIS COULD CAUSE STRANGULATION.

**DO NOT** ADD A PILLOW, COMFORTER, OR PADDING, INFANTS CAN SUFFOCATE ON SOFT BEDDING.

BEFORE EACH USAGE OR ASSEMBLY, INSPECT THE TODDLER BED FOR DAMAGED HARDWARE, LOOSE JOINTS, MISSING PARTS, OR SHARP EDGES.

**DO NOT** USE THE TODDLER BED IF ANY PARTS ARE MISSING OR BROKEN. ASK YOUR DEALER OR WRITE TO DREAM ON ME FOR REPLACEMENT OF THE PARTS AND INSTRUCTIONAL LITERATURE IF NEEDED.

**DO NOT** SUBSTITUTE ANY PARTS.

IF REFINISHING, USE A NON TOXIC FINISH SPECIFIED FOR CHILDREN'S PRODUCTS. TO CLEAN, WASH WITH MIL SOAP AND A DAMP CLOTH.

TO STORE, KEEP IN A COOL, DRY PLACE.

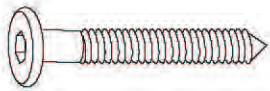
**DO NOT** USE THE TODDLER BED IF THE SPACE BETWEEN BED AND SOLID OBJECTS AS A WALL OR DRESSER IS MORE THAN 12 INCHES (31CM). A CHILD COULD SLIDE INTO A SMALL SPACE AND SUFFOCATE.

**DO NOT** USE THE TODDLER BED FOR INFANTS. THIS TODDLER BED IS NOT A SUBSTITUTE FOR A CRIB.

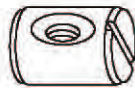
THE TODDLER BED IS FOR A CHILD BETWEEN THE AGE OF 15 MONTHS AND 5 YEARS WITH A MAXIMUM WEIGHT OF 50 POUNDS (23KG).

**DO NOT** USE A WATER MATTRESS WITH THIS PRODUCT.

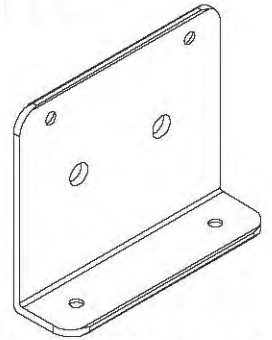
# HARDWARE AND TOOL DIAGRAM



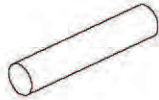
(b) Bolt 2-1/5" 14 PCS



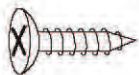
(c) Barrel Nut 14 PCS



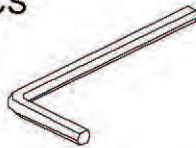
(g) L METAL PLATE 2 PCS



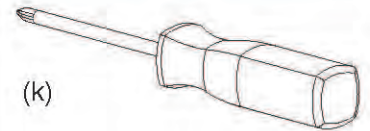
(f) Wood Dowel 4 PCS



(h) Selfdrilling screw 8 PCS



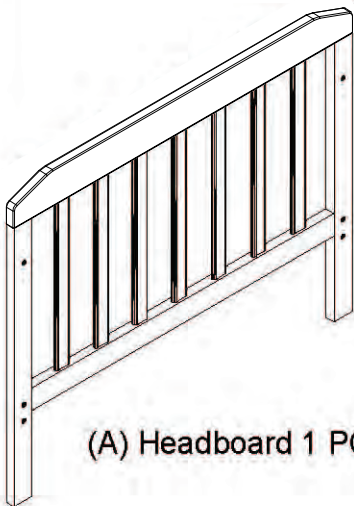
(j) Allen Wrench 1 PC



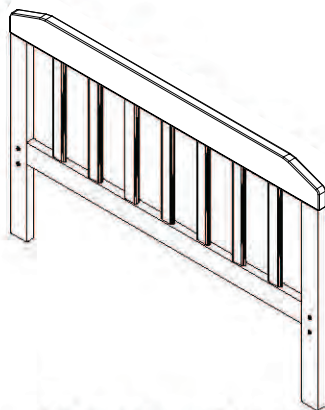
(k)

**FLAT HEAD SCREWDRIVER  
REQUIRED FOR ASSEMBLY  
- NOT INCLUDE**

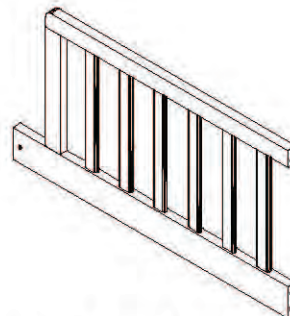
# COMPONENT PARTS



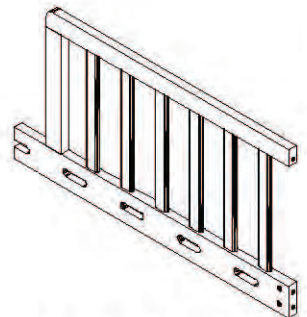
(A) Headboard 1 PC



(B) Footboard 1 PC

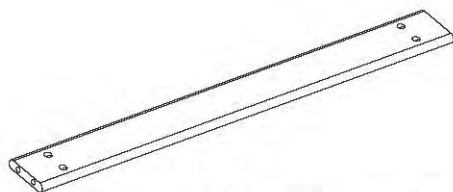


(C1) Right Bed Rail

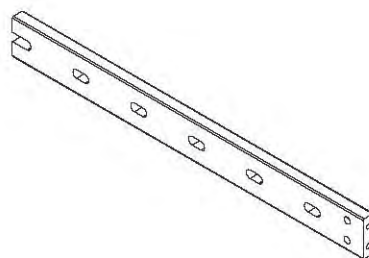


(C2) Left Bed Rail

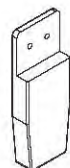
(C) Bed Rail 2 PCS



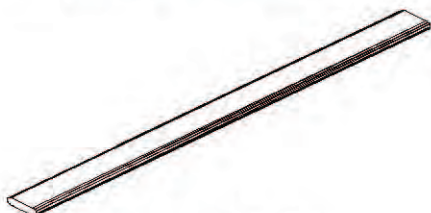
(G) Cross Middle Bar 1 PC



(E) Side Bar 2 PCS



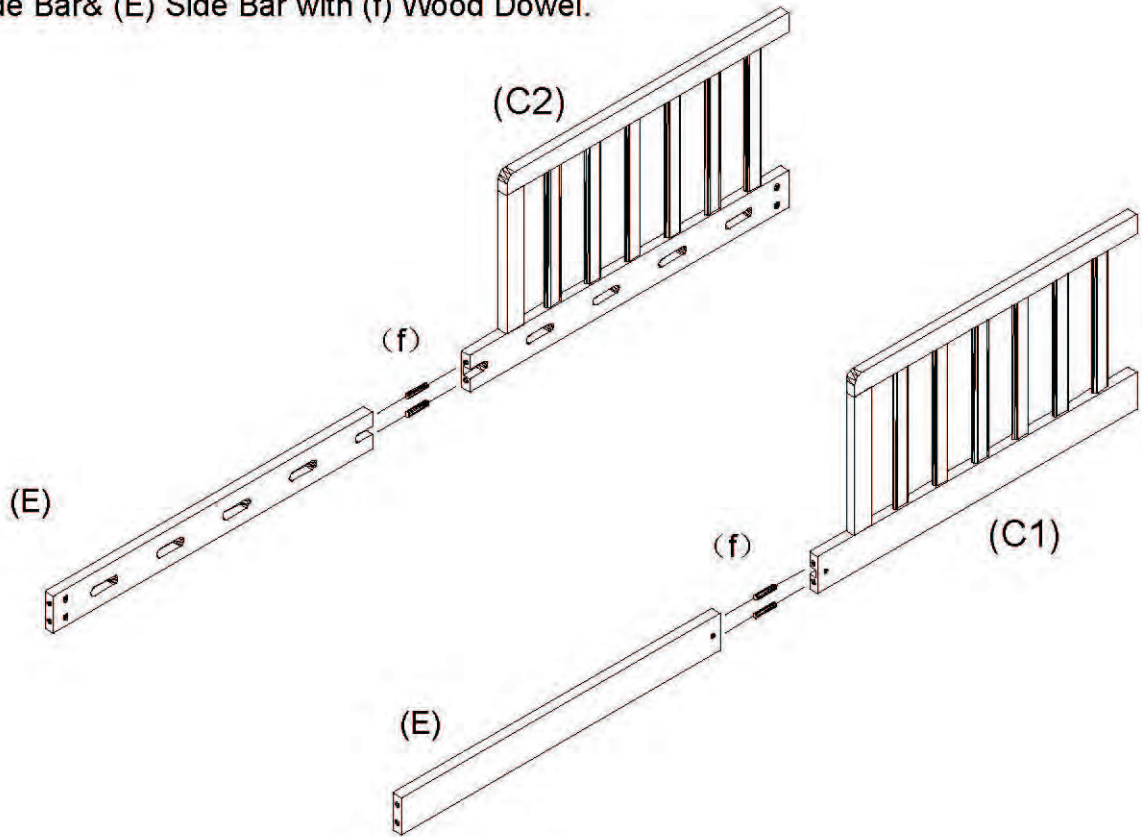
(F) Split leg 2 PCS



(H) Cross Bar 8 PCS

## STEP# 1

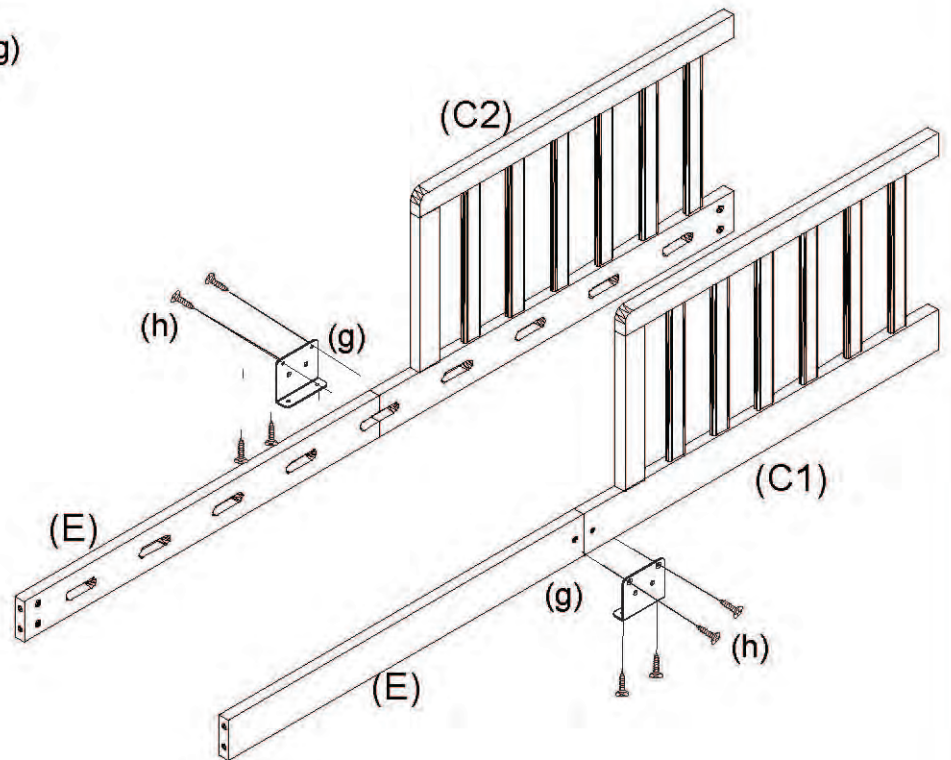
Connect (C1) Right Side Bar & (E) Side Bar and (C2) Left Side Bar & (E) Side Bar with (f) Wood Dowel.



## STEP# 2

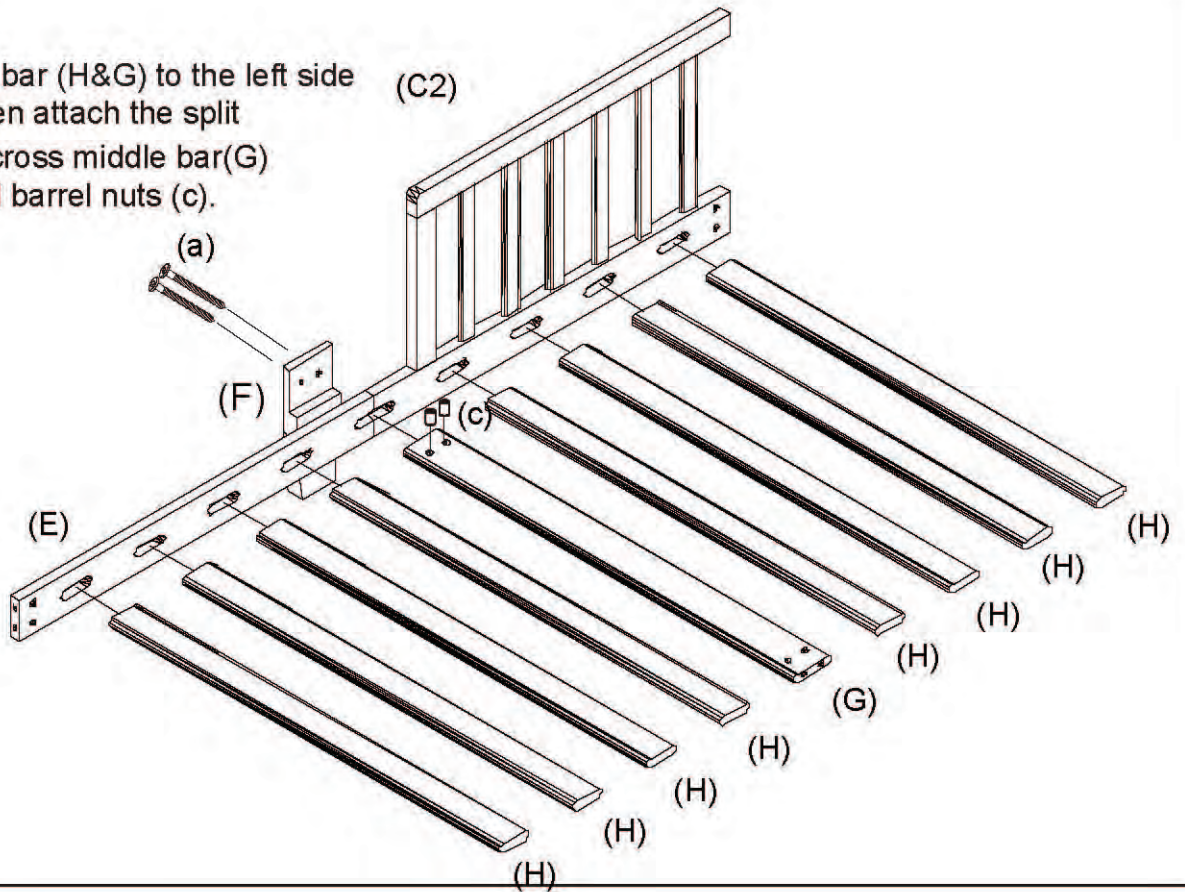
Connect the side bar (C1 & C2) to the side bar (E) by L metal plates (g) and selfdrilling screws (h).

**NOTE:** When attach the L metal plates (g), make sure the holes on the L metal plates (g) match to the holes on the side bar (C & E). Then tighten the selfdrilling screws (h).



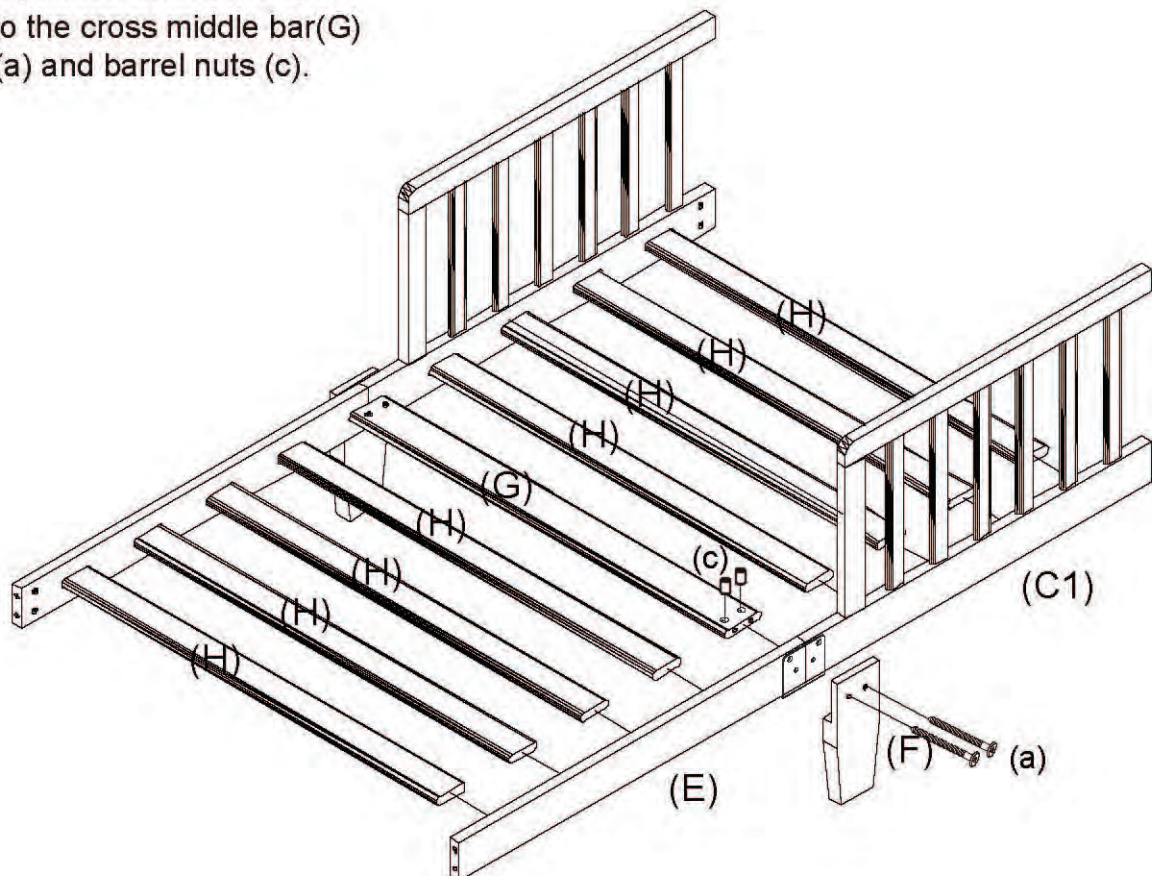
### STEP# 3

Insert the cross bar (H&G) to the left side bar (C2&E) . then attach the split legs (F) to the cross middle bar(G) by bolts (a) and barrel nuts (c).



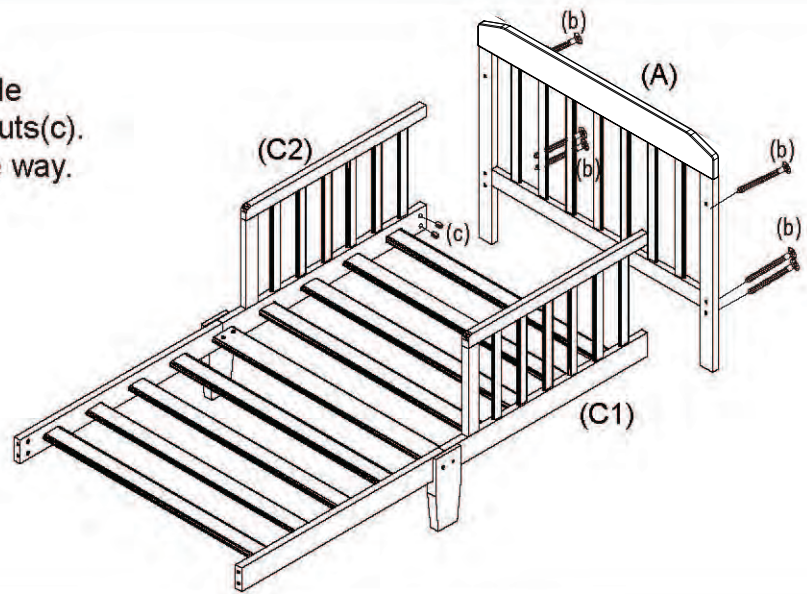
### STEP# 4

Insert the cross bar (H&G) to the right side bar (C1&E) . then attach the split legs (F) to the cross middle bar(G) by bolts (a) and barrel nuts (c).



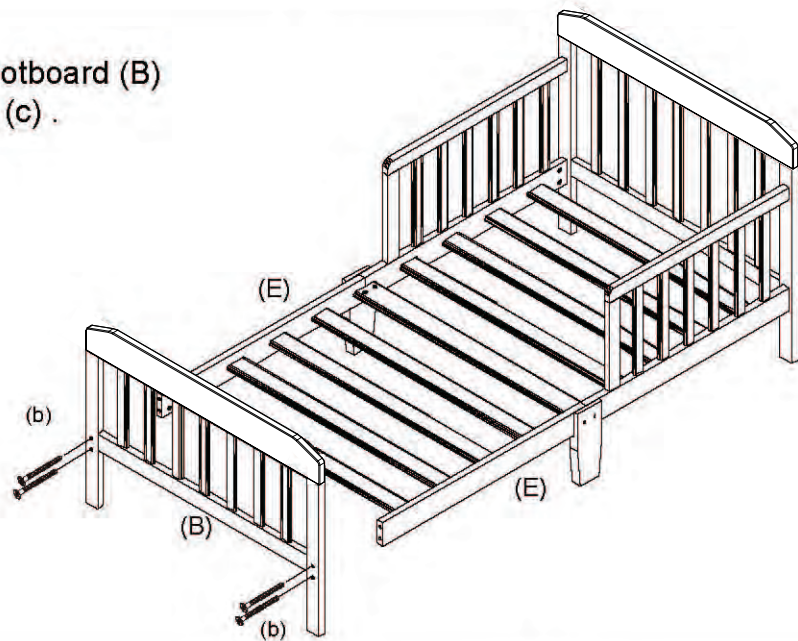
## STEP# 5

Connect headboard (A) to the left side bar (C2) using bolts (b) and Barrel Nuts(c).  
The right side bar (C1) use the same way.



## STEP# 6

Connect the side bar (E) to the footboard (B) by using bolts (b) and barrel nuts (c) .



## STEP# 7

Make sure all bolts are tightened .



Congratulations, your toddler bed is ready to use.