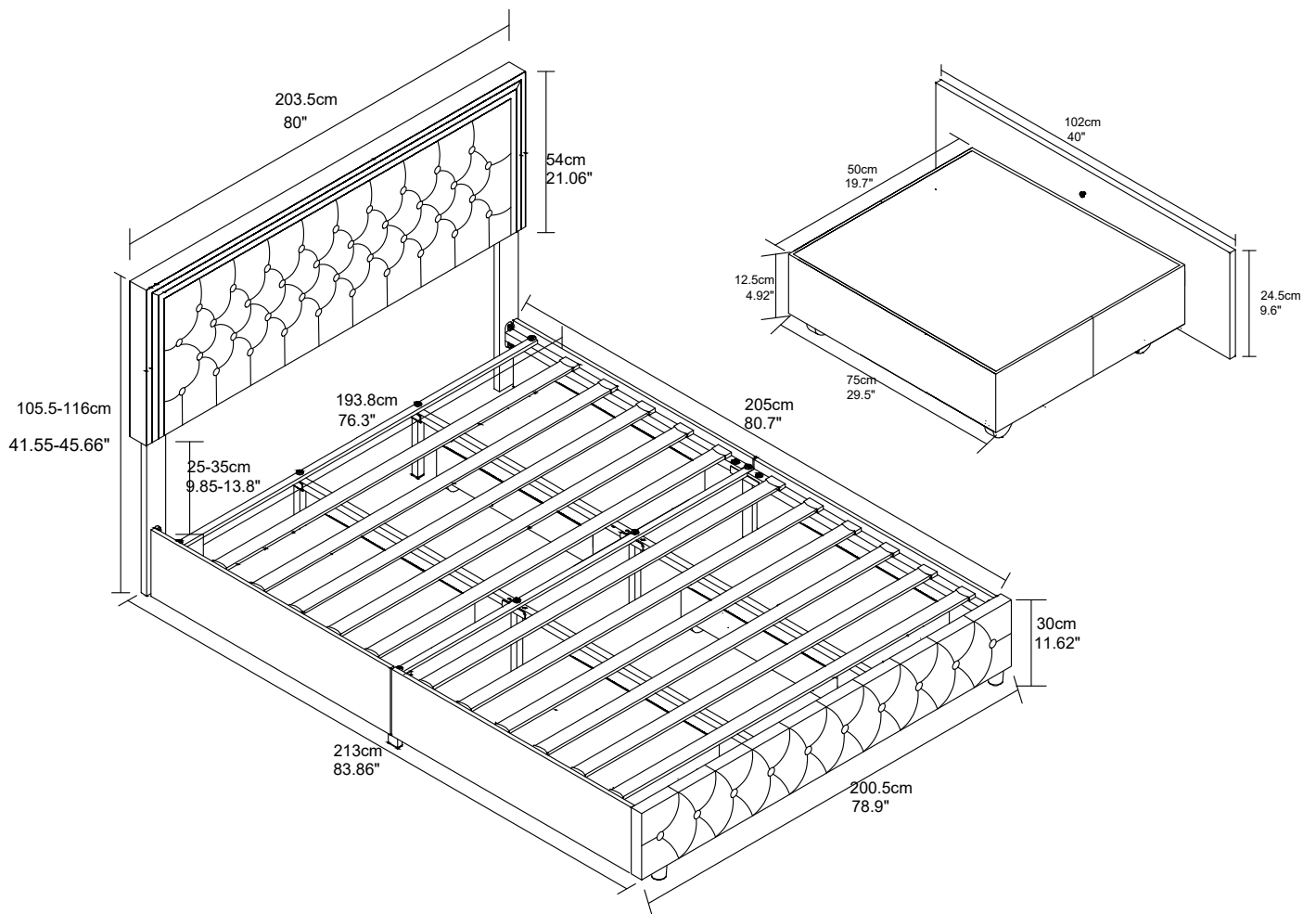


User's Manual

Bed Frame



1. Should be assembled on flat ground to keep balance.
2. Before completing the installation, do not tighten the screws.
3. Please contact **after-service** directly for any breakage problem of the product, we will provide you with satisfactory service.



Before starting the assembly, you must read the whole manual and follow the instructions



It needs at least two people to install.

EN | ES

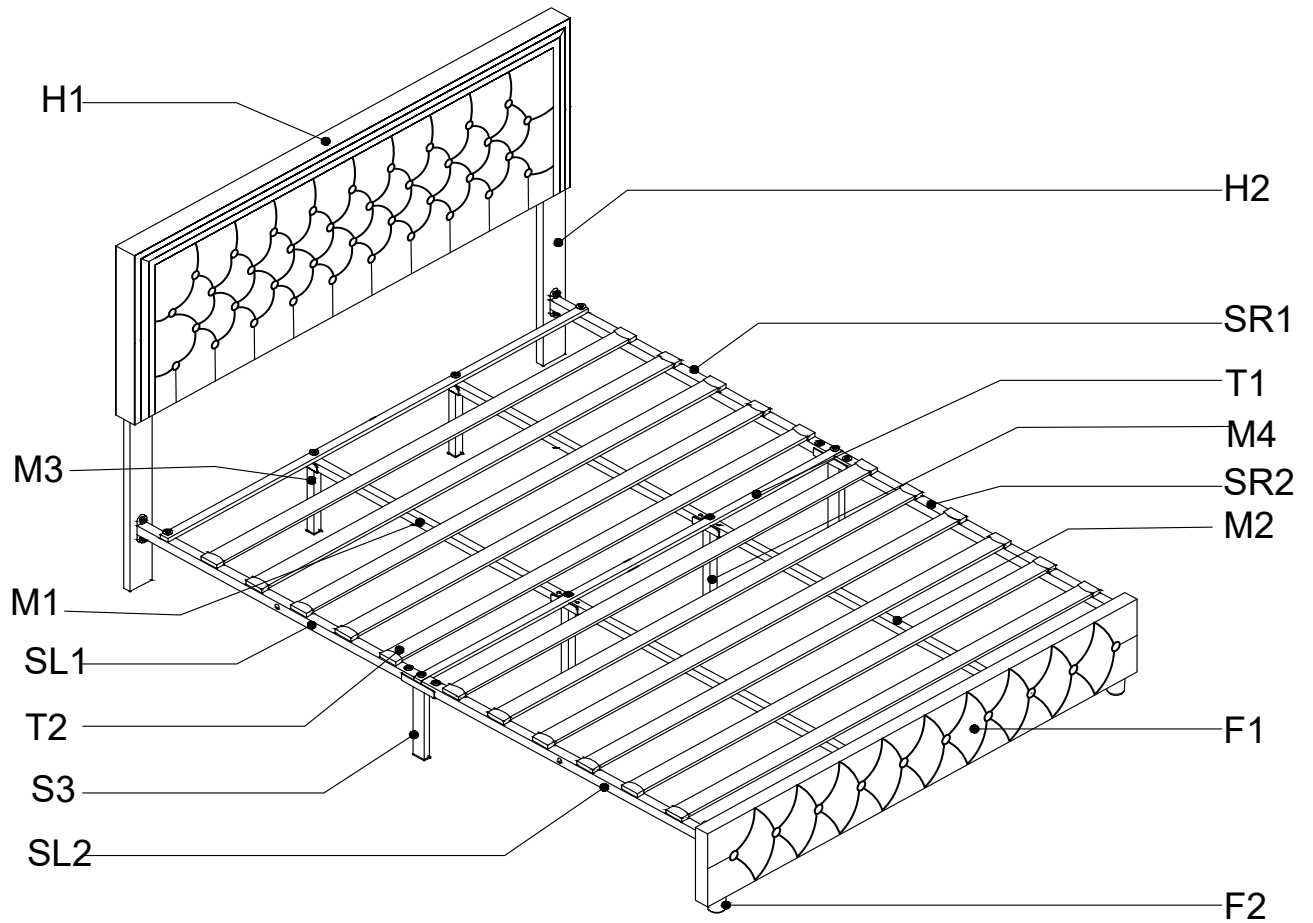
Contact us first if you have any problems, we would do better than Platform's official service. Replacement for missing or damaged parts will be shipped ASAP!

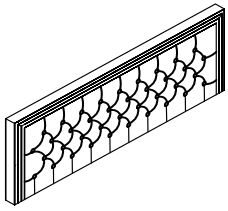

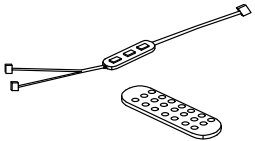
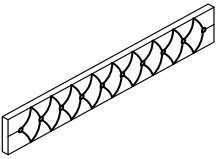

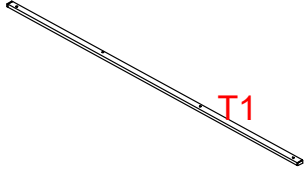
EN | ES

Si tiene algún problema con su producto o pedido, póngase en contacto con nosotros antes de consultar con el servicio de atención al cliente de Platform, le resolveremos su problema con mayor brevedad. ¡ Reemplazamos piezas perdidas o dañadas enviándolas rápidamente

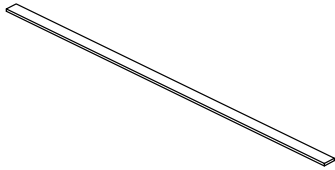
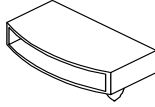
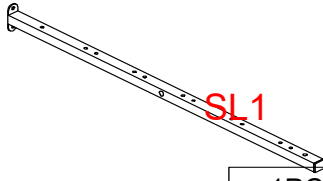
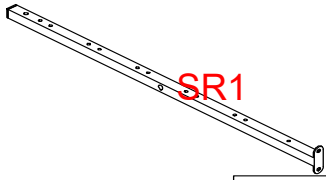
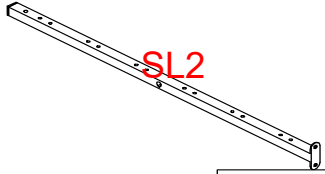
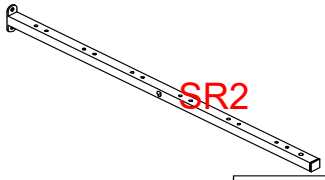
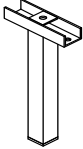
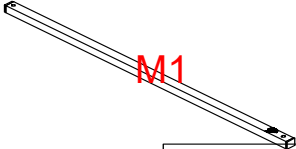
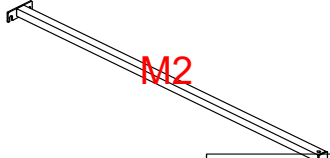
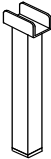
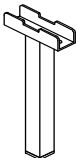
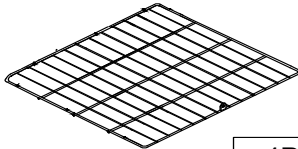
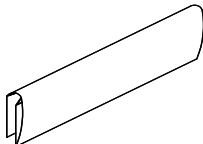
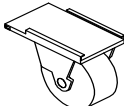
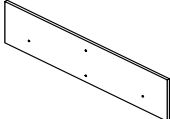
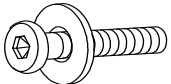
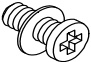
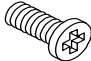


Assembly Instruction of (Bed)

Drawer not included



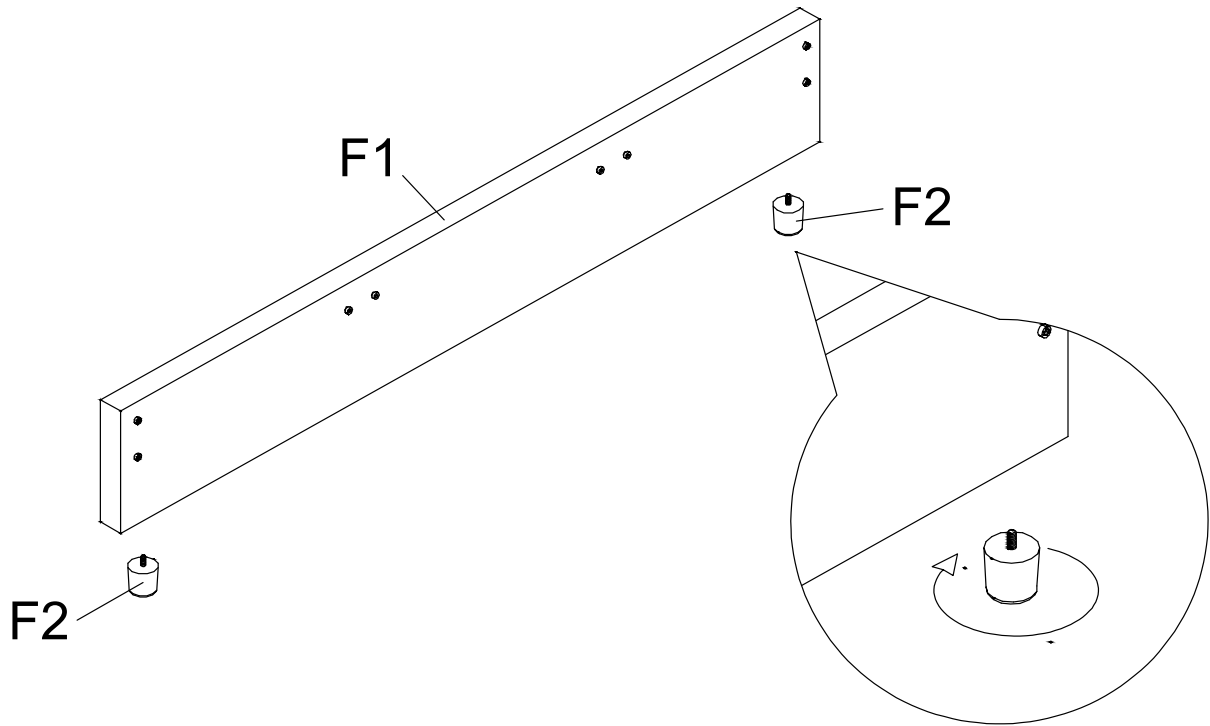
<p>H1 Headboard</p>  <p>1PC</p>	<p>H2 Headboard Leg</p>  <p>2PCS</p>	<p>H3 Lighting Control Kit</p>  <p>1 Set</p>
<p>F1 Footboard</p>  <p>1PC</p>	<p>F2 Footboard Feet</p>  <p>2PCS</p>	<p>T1 Cross Beam</p>  <p>2PCS</p>

Assembly Instruction of (Bed)

<p>T2 Slat</p>  <p style="text-align: right; border: 1px solid black; padding: 2px;">11PCS</p>	<p>T3 Slat Anchor Clip</p>  <p style="text-align: right; border: 1px solid black; padding: 2px;">22+2PCS</p>	<p>SL1 Head Side Rail Section</p>  <p style="text-align: right; border: 1px solid black; padding: 2px;">1PC</p>
<p>SR1 Head Side Rail Section</p>  <p style="text-align: right; border: 1px solid black; padding: 2px;">1PC</p>	<p>SL2 Foot Side Rail Section</p>  <p style="text-align: right; border: 1px solid black; padding: 2px;">1PC</p>	<p>SR2 Foot Side Rail Section</p>  <p style="text-align: right; border: 1px solid black; padding: 2px;">1PC</p>
<p>S3 Center Side Rail Leg</p>  <p style="text-align: right; border: 1px solid black; padding: 2px;">2PCS</p>	<p>M1 Head Middle Rail</p>  <p style="text-align: right; border: 1px solid black; padding: 2px;">2PCS</p>	<p>M2 Foot Middle Rail</p>  <p style="text-align: right; border: 1px solid black; padding: 2px;">2PCS</p>
<p>M3 Head Middle Leg</p>  <p style="text-align: right; border: 1px solid black; padding: 2px;">2PCS</p>	<p>M4 Central Middle Leg</p>  <p style="text-align: right; border: 1px solid black; padding: 2px;">2PCS</p>	<p>D1 Drawer Grid Base</p>  <p style="text-align: right; border: 1px solid black; padding: 2px;">4PCS</p>
<p>D2 Fabric Drawer Shell</p>  <p style="text-align: right; border: 1px solid black; padding: 2px;">4PCS</p>	<p>D3 Drawer Caster</p>  <p style="text-align: right; border: 1px solid black; padding: 2px;">16PCS</p>	<p>D4 Drawer Panel</p>  <p style="text-align: right; border: 1px solid black; padding: 2px;">4PCS</p>
<p>U1 M8×45mm Screw with Washer</p>  <p style="text-align: right; border: 1px solid black; padding: 2px;">20+1PCS</p>	<p>U2 M6×15mm Screw with Washer</p>  <p style="text-align: right; border: 1px solid black; padding: 2px;">16+2PCS</p>	<p>U3 M6×15mm Screw</p>  <p style="text-align: right; border: 1px solid black; padding: 2px;">4PCS</p>
<p>U8L M8 L-Wrench</p>  <p style="text-align: right; border: 1px solid black; padding: 2px;">1PC</p>	<p>U6L M6 L-Wrench</p>  <p style="text-align: right; border: 1px solid black; padding: 2px;">1PC</p>	

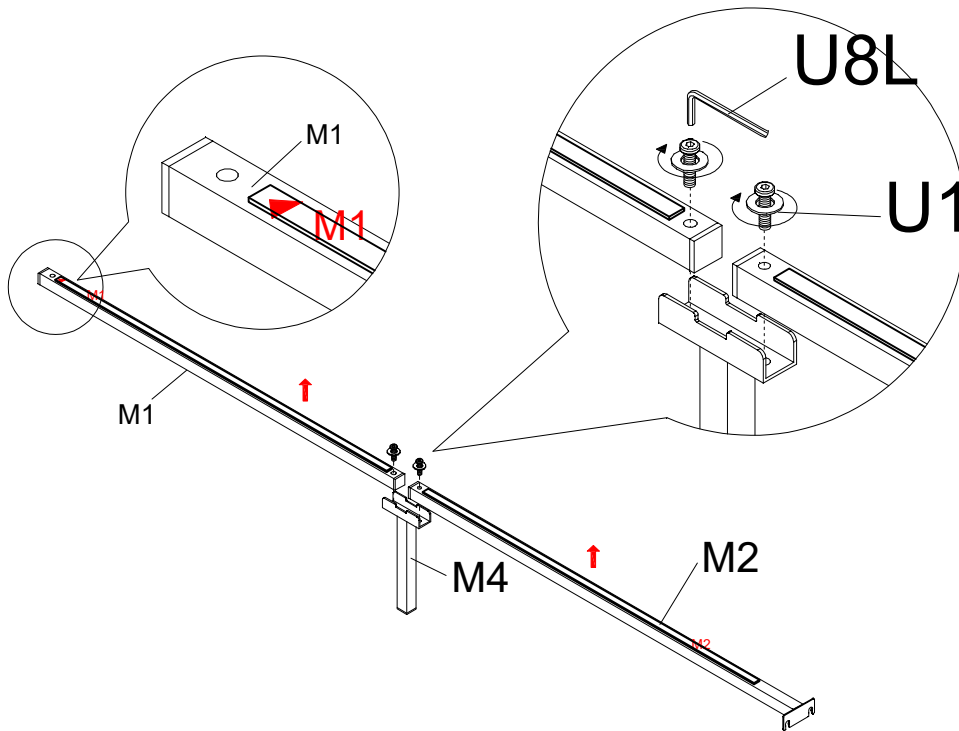
Assembly Instruction of (Drawer)

STEP 1





STEP 2

Noted that the middle cross beam, the direction of the red arrow is the front



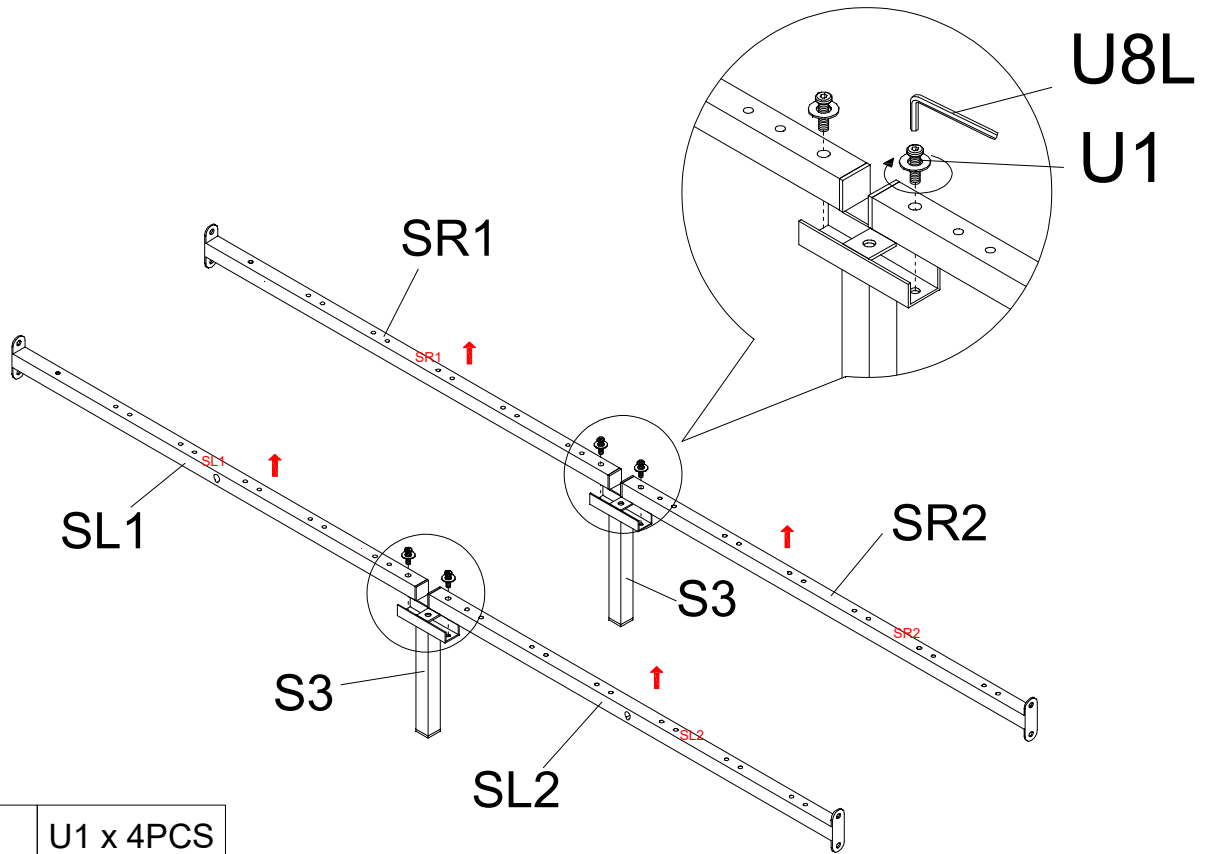
x 2

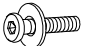

	U1 x 4PCS
	U8L x 1PC

Screws with small round pieces will make the bed more stable.

Assembly Instruction of (Drawer)

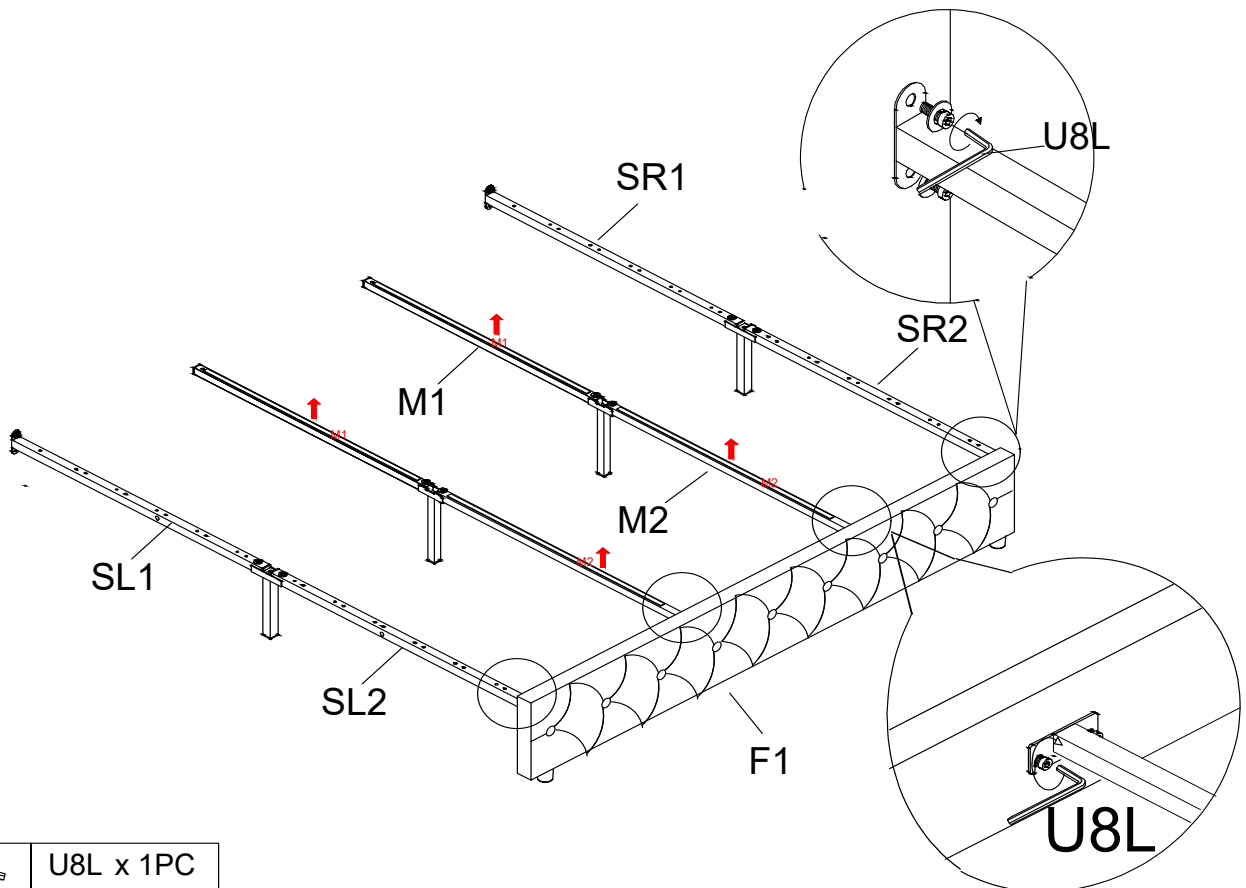
STEP 3 The four holes are facing the right way in order to hang the drawer




	U1 x 4PCS
	U8L x 1PC

Screws with small round pieces will make the bed more stable.

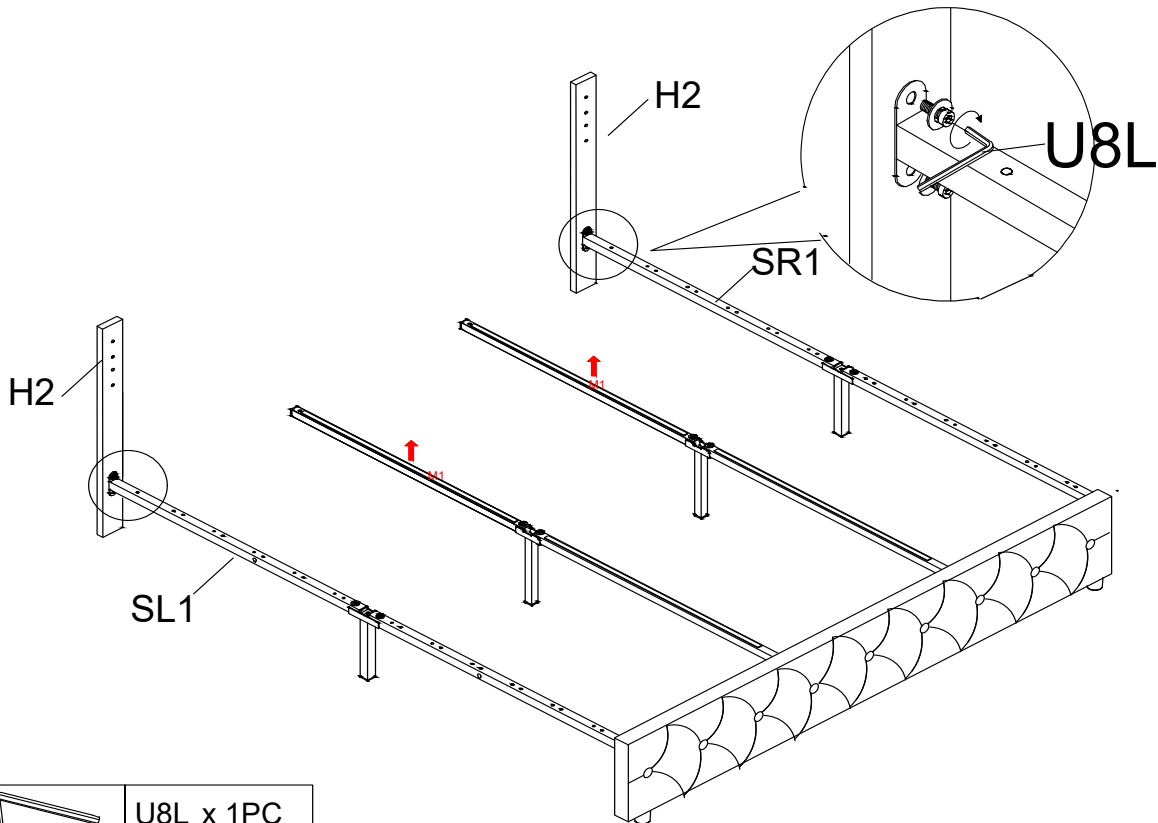
STEP 4




	U8L x 1PC
---	-----------

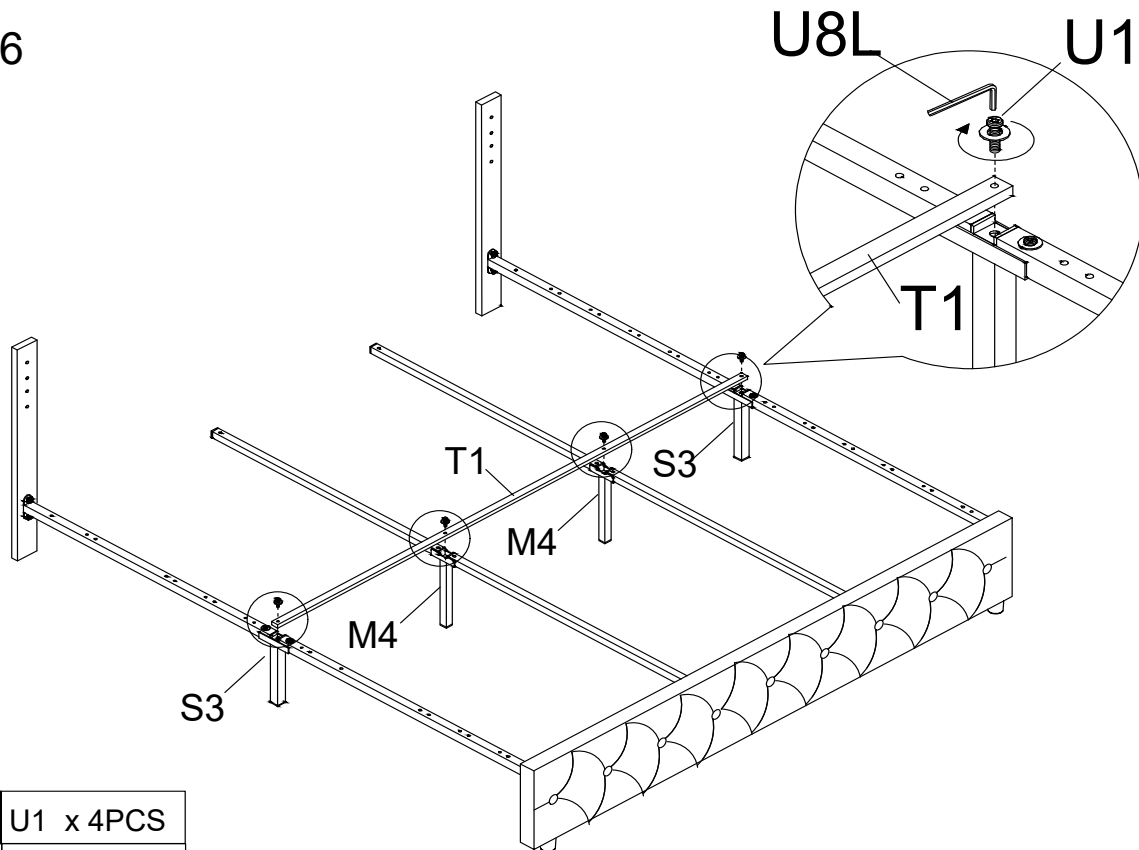
Assembly Instruction of (Bed)



STEP 5



	U8L x 1PC
---	-----------

STEP 6

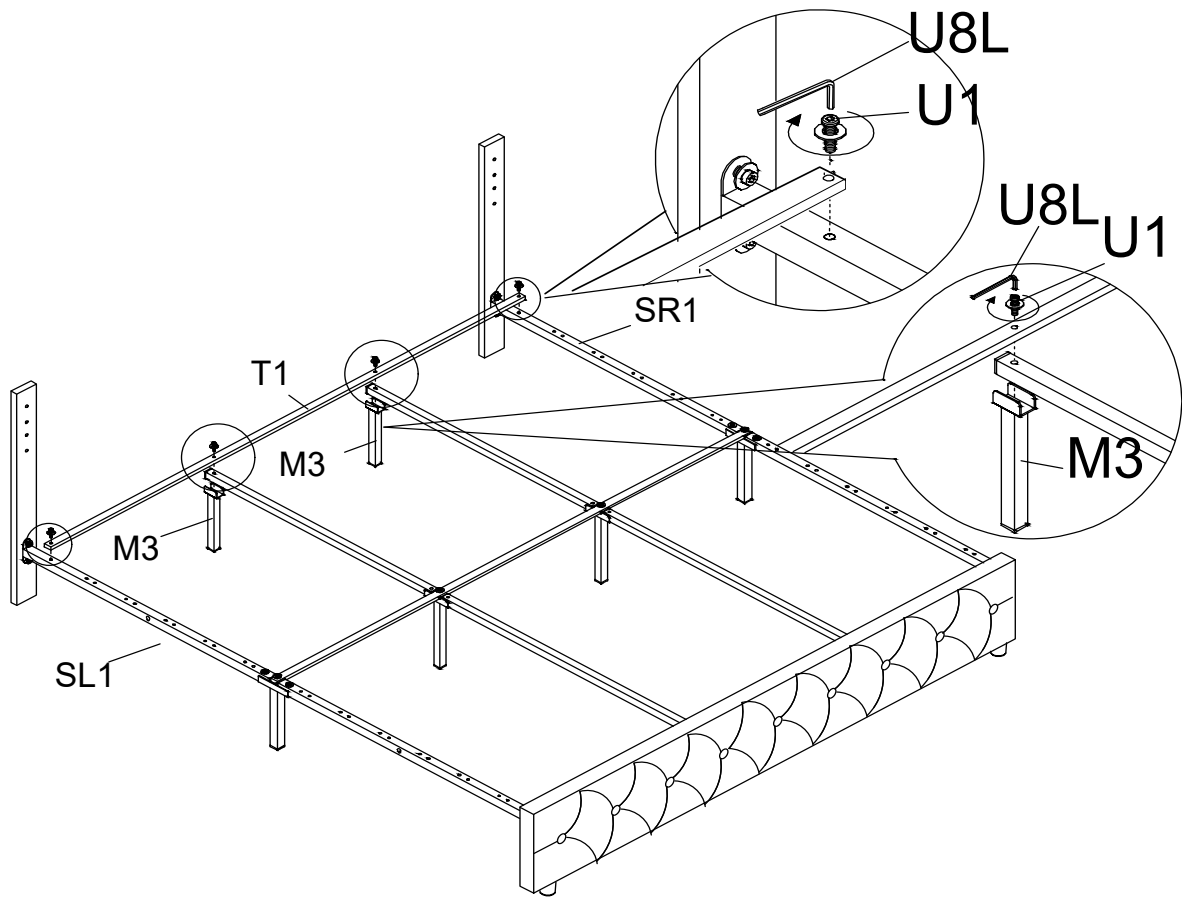




	U1 x 4PCS
	U8L x 1PC

Screws with small round pieces will make the bed more stable.

Assembly Instruction of (Bed)

STEP 7



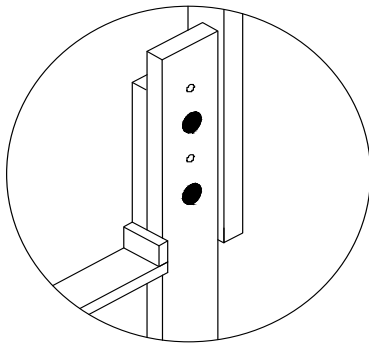
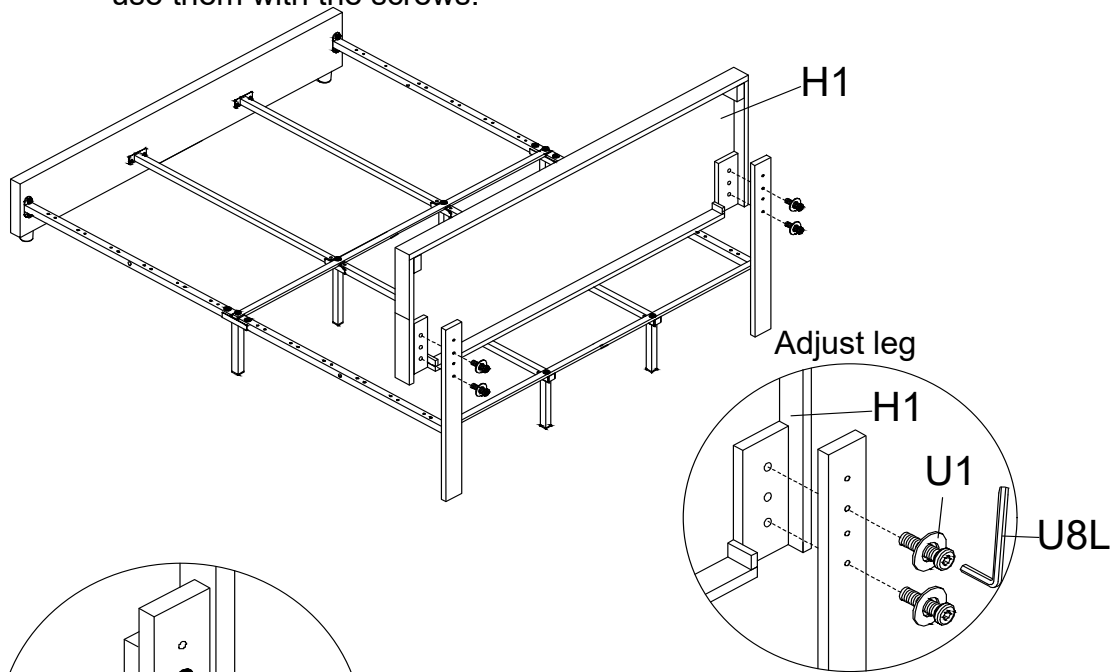
	U1 x 4PCS
	U8L x 1PC

Screws with small round pieces will make the bed more stable.

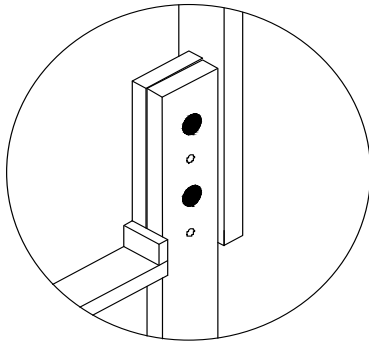
Assembly Instruction of (Bed)

STEP 8

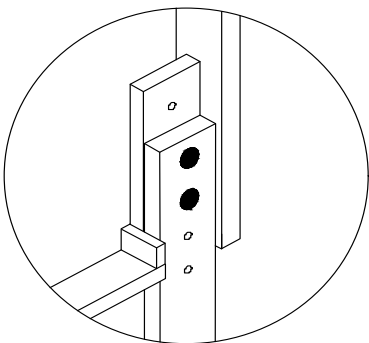
IMPORTANT: The washers are crucial for a tight fit. Do not forget to use them with the screws.



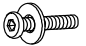

Fits a 10 inch thick mattress when attach screws to these holes



Fits a 12 inch thick mattress when attach screws to these holes

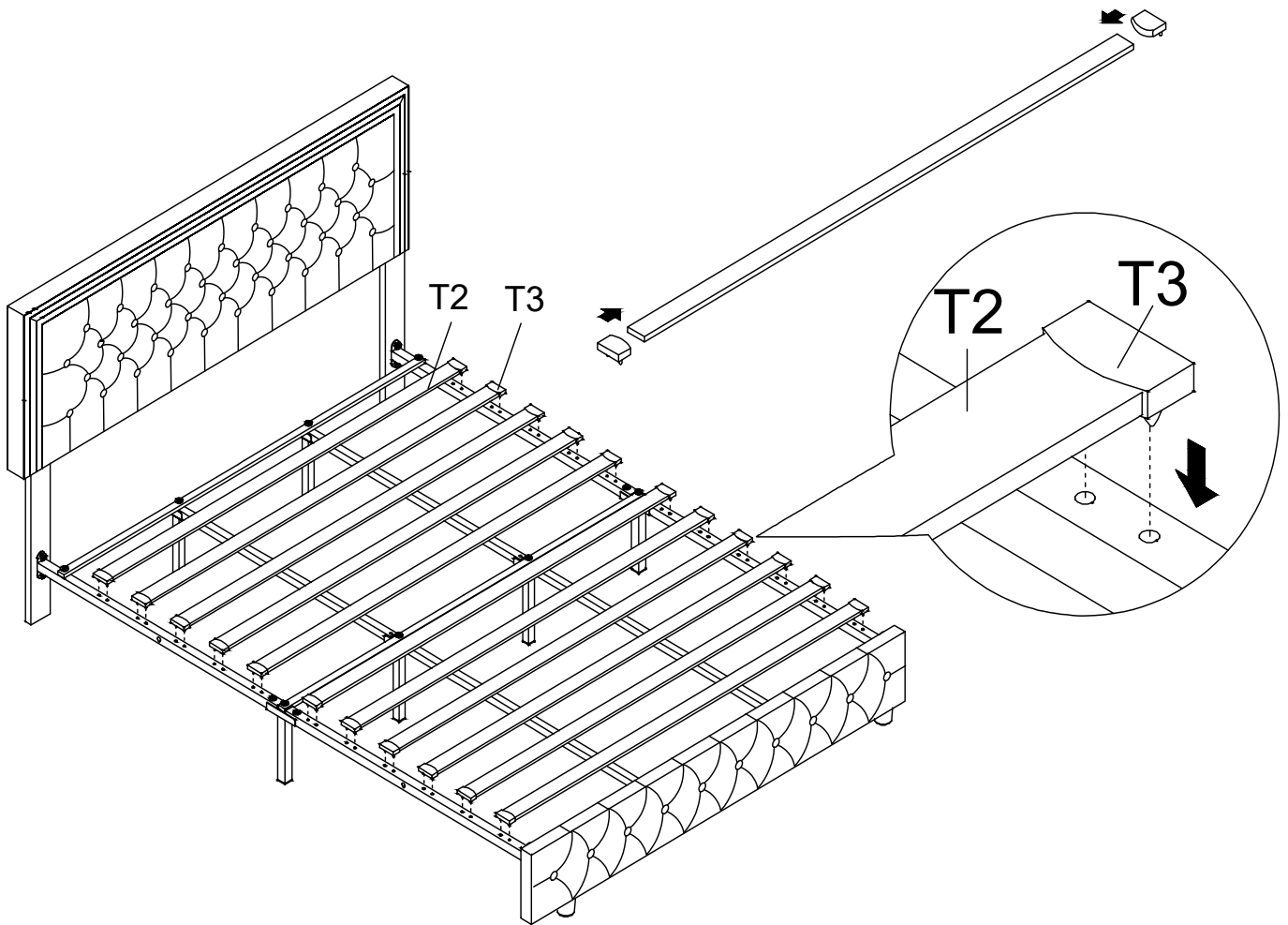


Fits a 14 inch thick mattress when attach screws to these holes

	U1 x 4PCS
	U8L x 1PC

Assembly Instruction of (Bed)

STEP 9



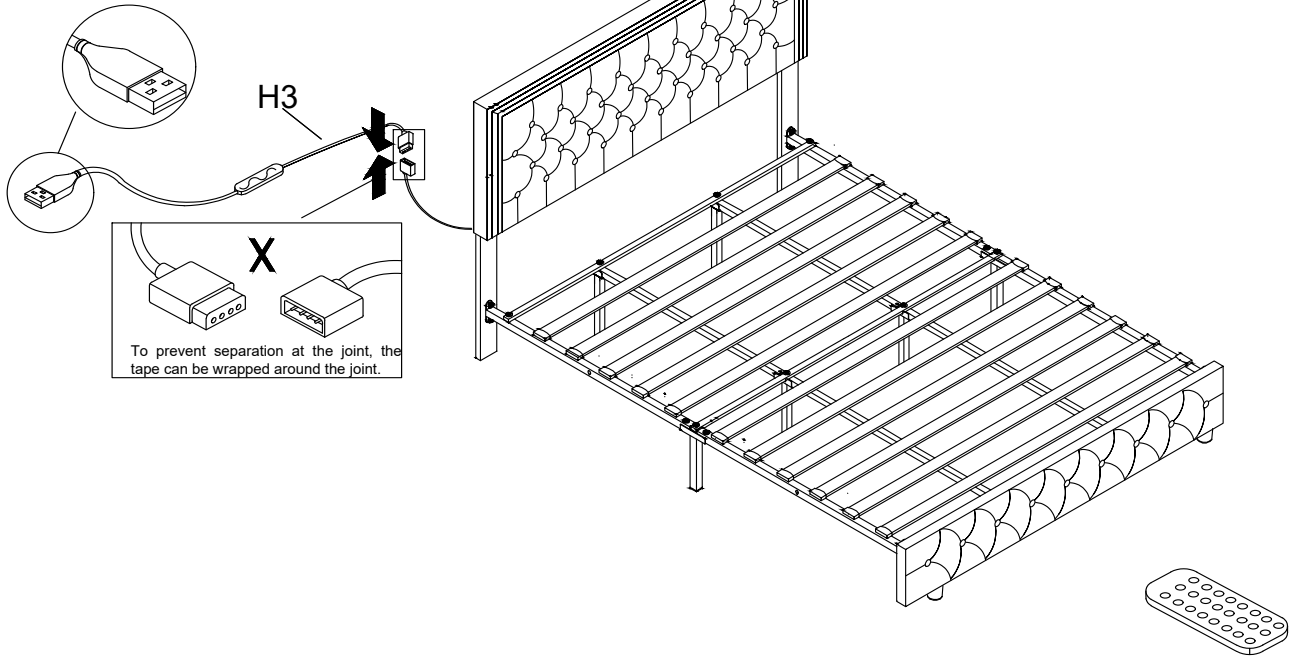
T3 x 22PCS

Assembly Instruction of (Bed)

STEP 10

The hocks need to be attached to the inside of the frame

Tips: To prevent separation at the joint, the tape can be wrapped around the joint.



Please scan the QR code on the manual/controller and install the application.

Step1: Please make sure that Bluetooth is enabled on your device

Step2: The LED light will automatically connect to the APP



Quick Start Guide for LED Light System

Step 1: Powering On

Locate the Control Box on the connecting cable between the headboard light strip and the power adapter. Press the universal power symbol button to toggle the lights on or off. This button controls both the activation and deactivation of the light system, allowing you to easily manage the lighting at your convenience.

Step 2: Adjusting Modes

Press the Mode (M) Button on the control box to toggle between the lighting modes. If the lights pulse on and off, do not worry; this is the 'Breathing Mode,' which is designed for a rhythmic illumination effect.

Step 3: Activating the Remote Control

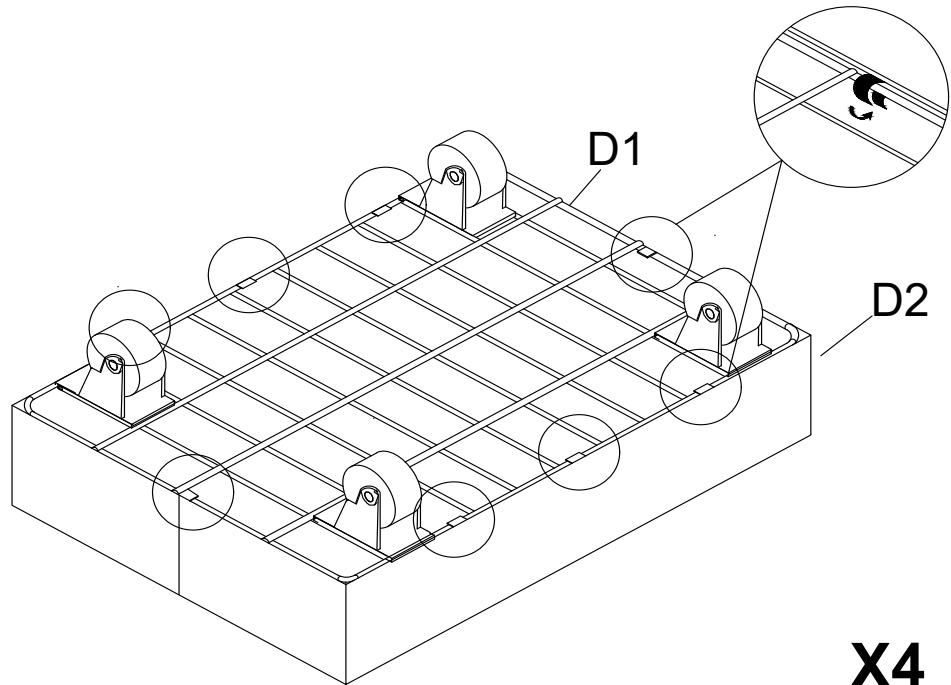
Remove the pull-tab from the battery compartment of the remote control to activate it. This tab is commonly used in electronics to prevent battery drain during storage.

Important Notes:

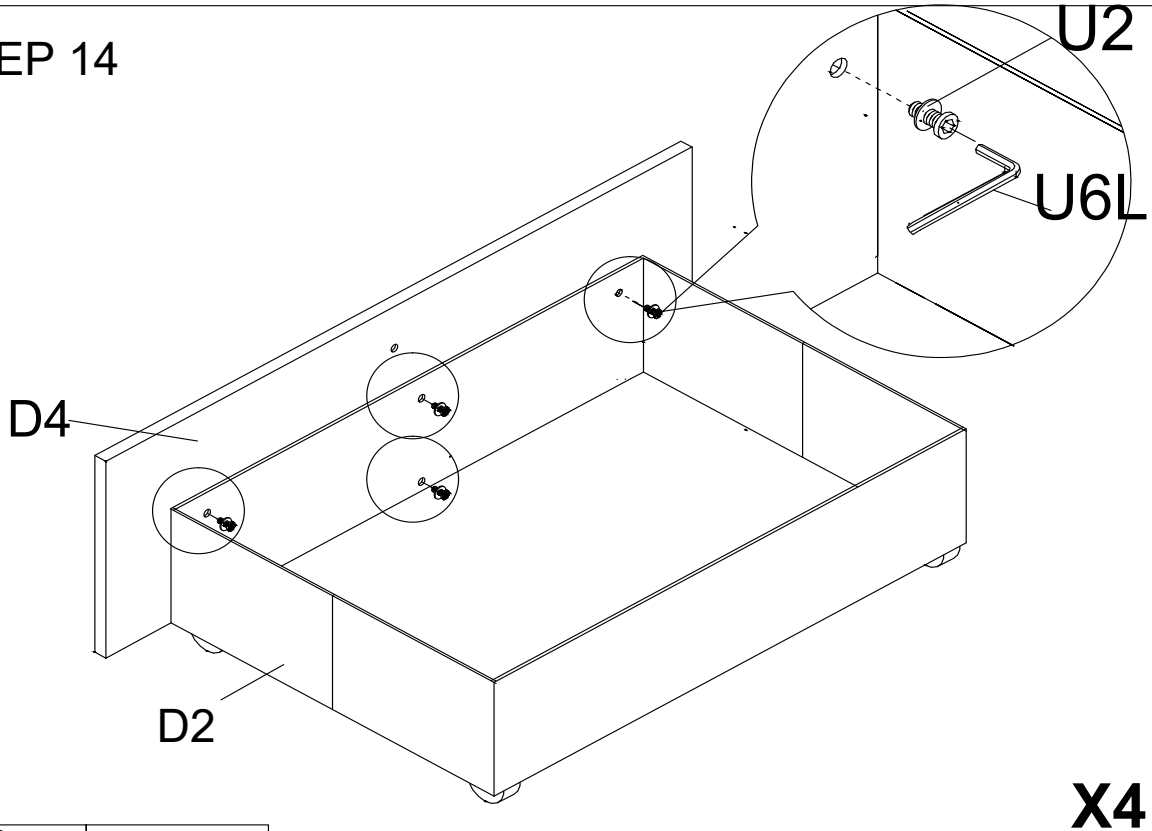
- 1.If the lights are off upon arrival, they may be in the 'Off' position from testing. Simply press the power button to activate.
- 2.The 'Breathing Mode' may initially surprise new users, but it is a standard feature intended to enhance the ambiance.
- 3.Ensure the pull-tab is fully removed for the remote to function properly.



Assembly Instruction of (Drawer)

STEP 13



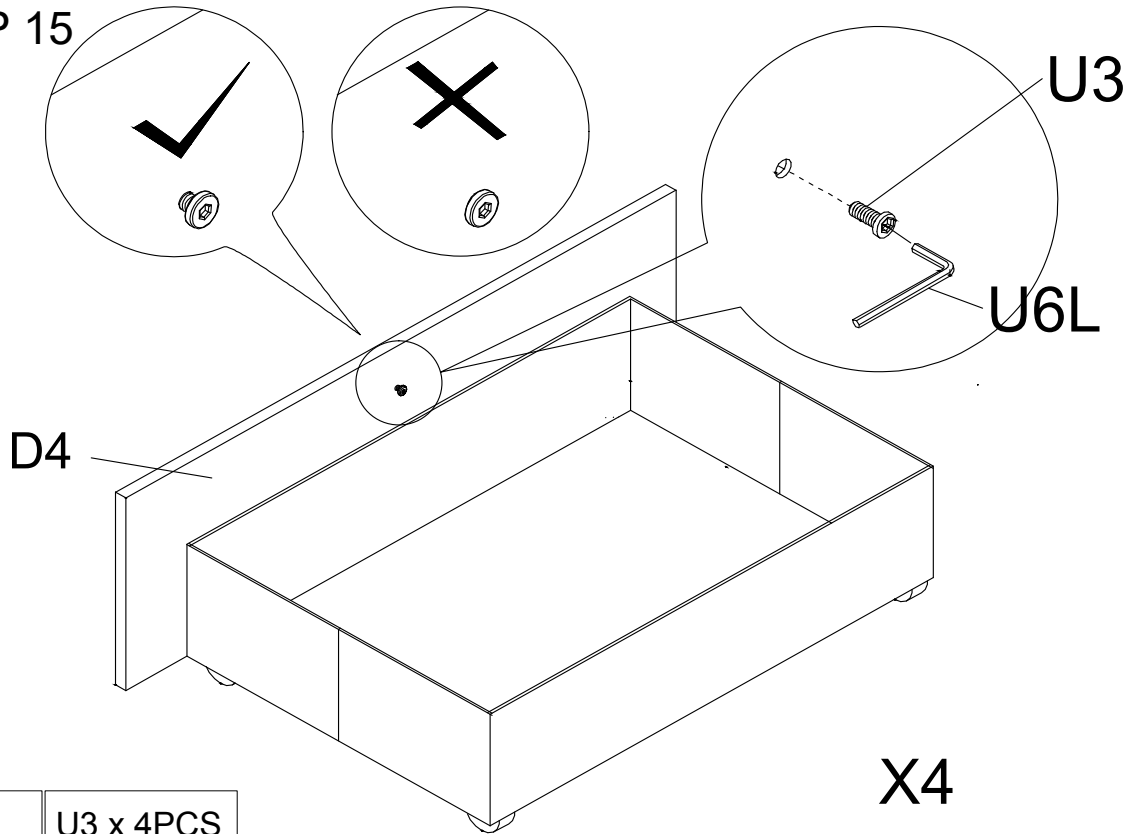
STEP 14





	U2 x 16PCS
	U6L x 1PC

Assembly Instruction of (Bed)

STEP 15



	U3 x 4PCS
	U6L x 1PC

STEP 16 Drawer panel screw hang into side cross beam hole.

