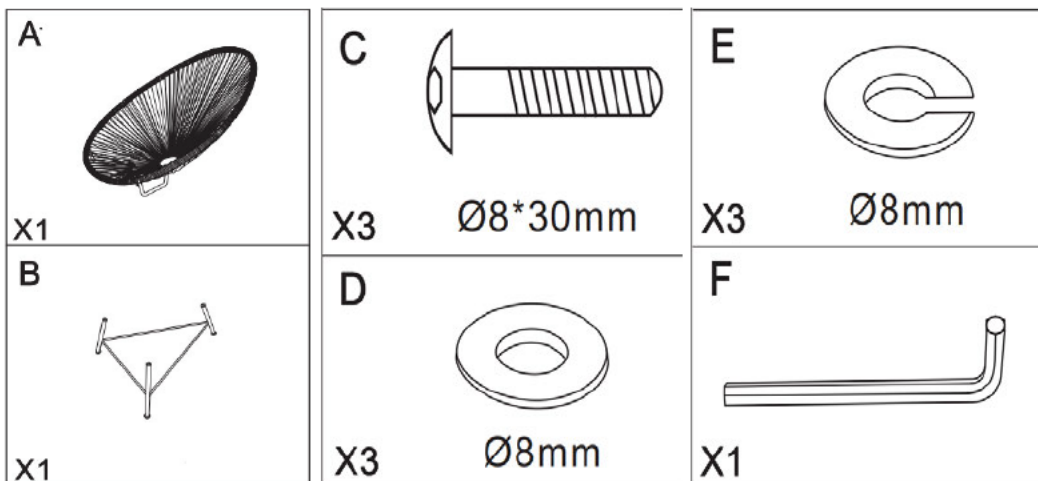


PATIO CHAIRS

PATIO CHAIRS INSTRUCTION

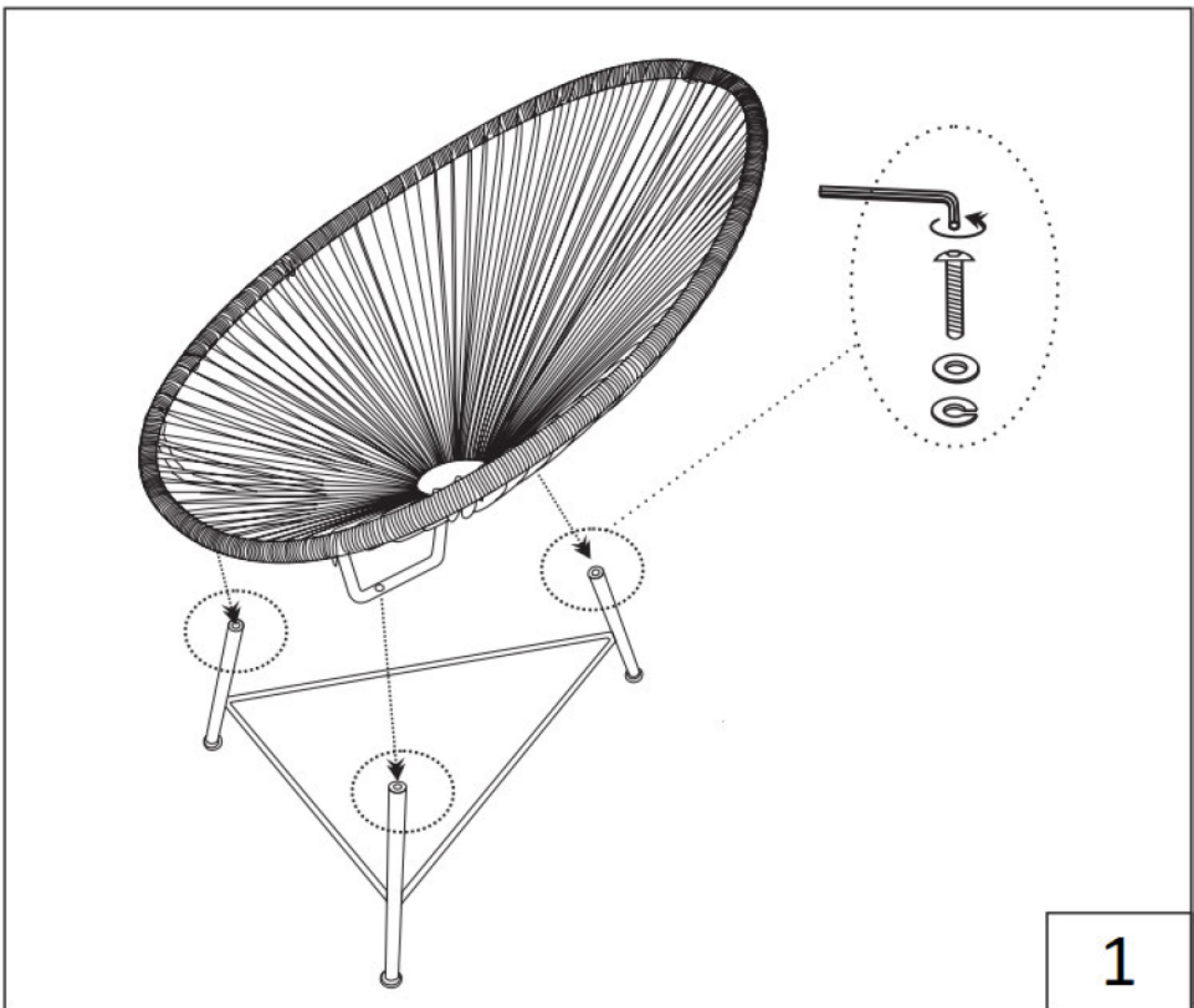


Part	DESCRIPTION	Quantity
PARTS LIST		
<i>PARTS</i>		
A	Chair Seat	1
B	Chair Base	1
<i>HARDWARE</i>		
C	Bolts M8*30mm	3
D	Washers 1	3
E	Washers 2	3
F	Allen Key	1



PLEASE READ AND FOLLOW ALL SAFETY TIPS

1. Locate Chair Seat(A) to the Chair Base(B) by the pre-drilled threads. Fasten Bolts(C) with Washers 1(D) and Washers 2(E) by using Allen Key(F). Totally 3 bolts should be fastened (Photo 1).



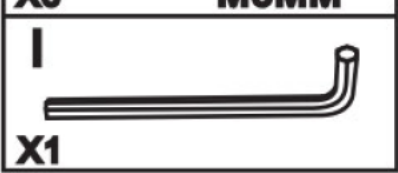
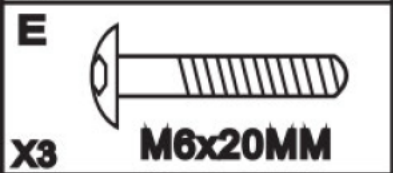
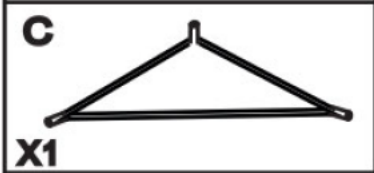
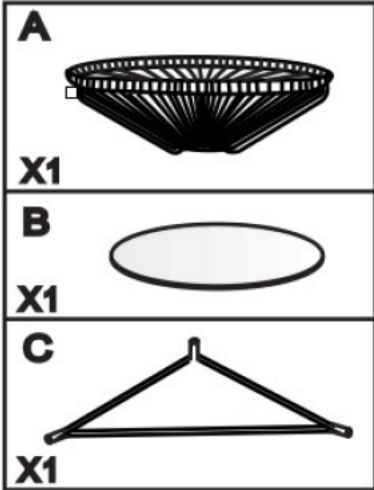
Till now you have finished the whole assembly and enjoy your chair!!

COFFEE TABLE

COFFEE TABLE INSTRUCTION



PARTS LIST		
Part	Description	Quantity
<i>PARTS</i>		
A	Wicker Table Top	1
B	Glass Table Top	1
C	Table Base	1
D	Table Feet	3
<i>HARDWARE</i>		
E	Bolts M6*20mm	3
F	Bolts M6*16mm	3
G	Washers 1	6
H	Washers 2	6
I	Allen Key	1

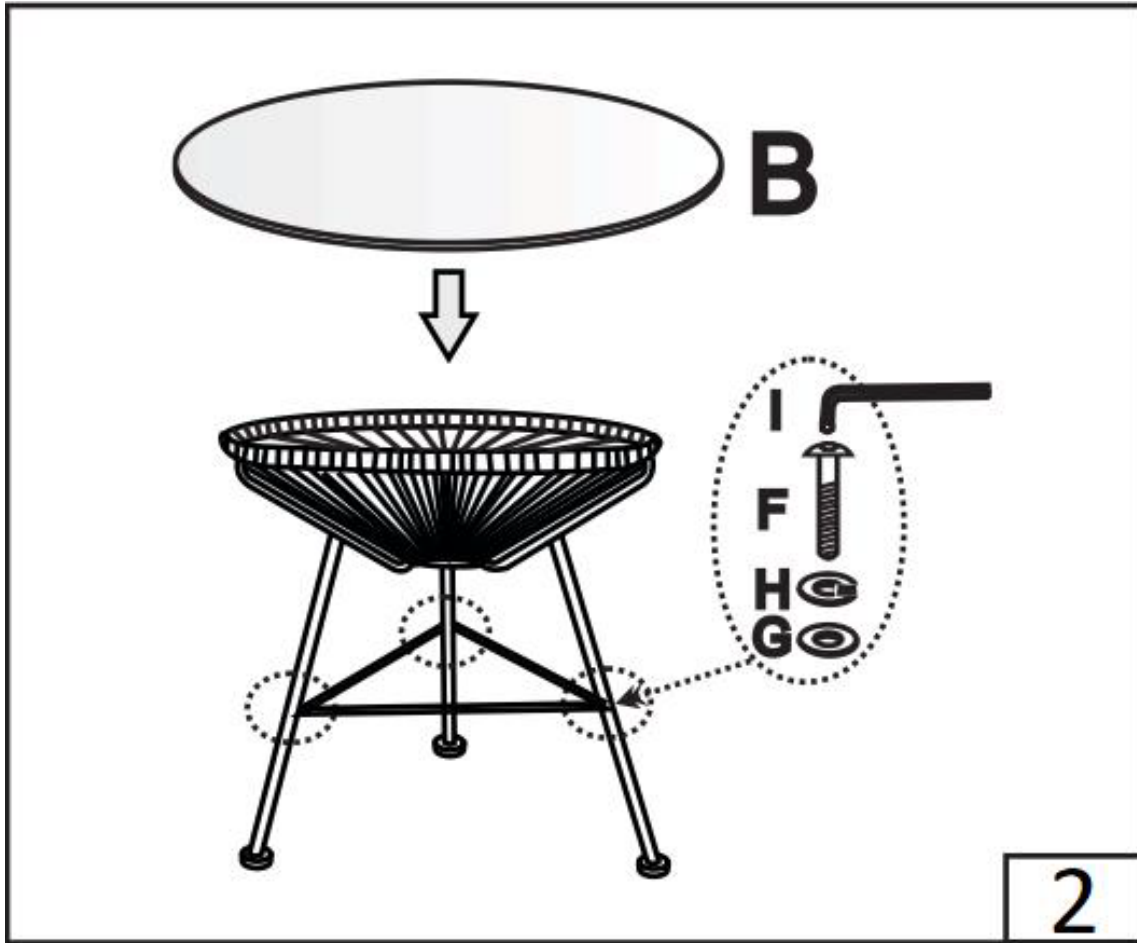


PLEASE READ AND FOLLOW ALL SAFETY TIPS

1. Locate 3 Table Feet(D) to the Wicker Table Top(A) by the pre-drilled threads. Fasten Bolts(E) with Washers 1(H) and Washers 2(G) by using Allen Key(I). (Photo 1).



2. Locate Table Base(C) to Table Feet(D) by the pre-drilled threads. Fasten Bolts(F) with Washers 1(H) and Washers 2(G) by using Allen Key(I). Put Glass Table Top(B) on top of the Wicker Table Top(A) (Photo 2)



Till now you have finished the whole assembly and enjoy your coffee with this table!!