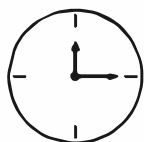
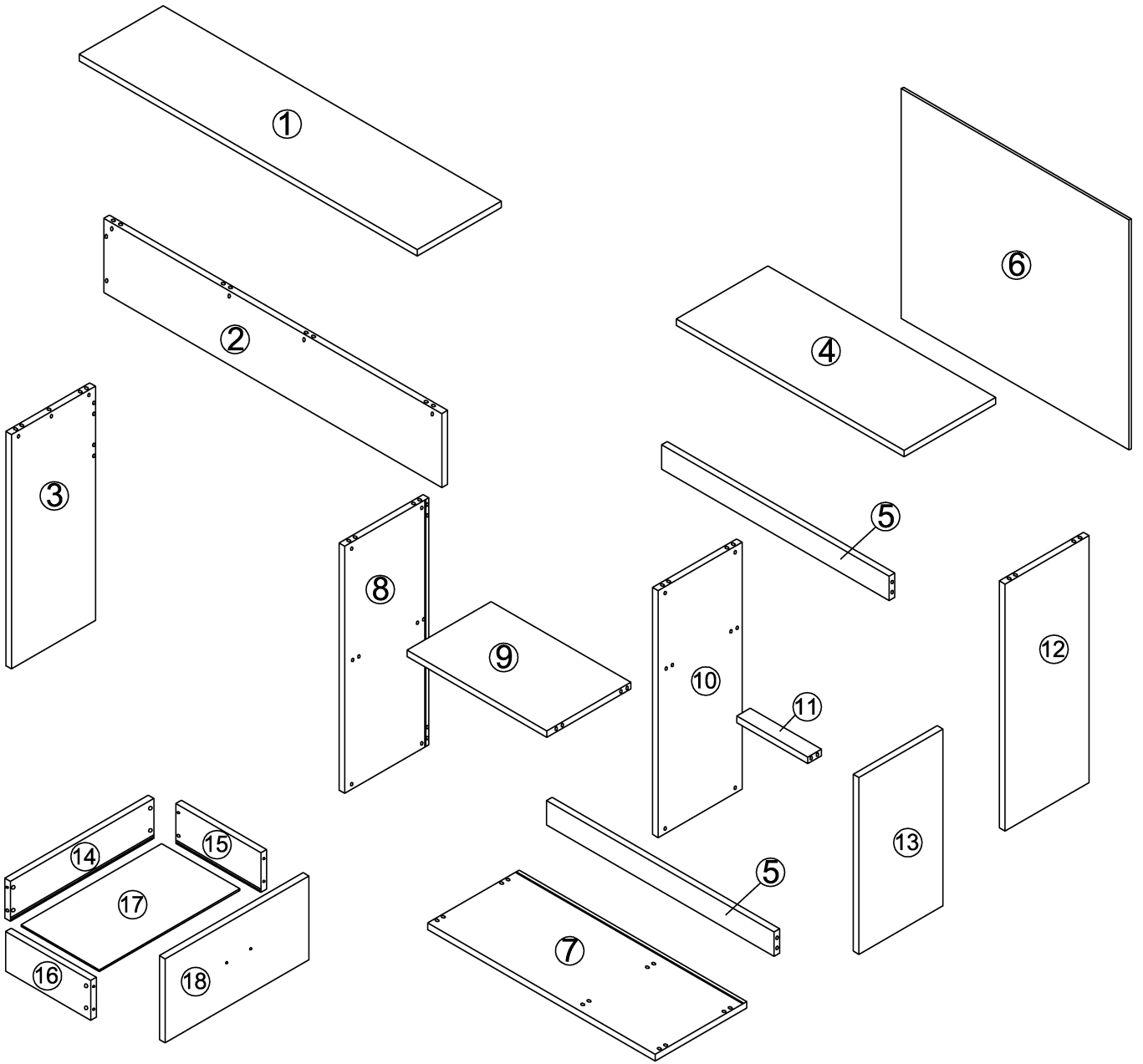


2 PERS.

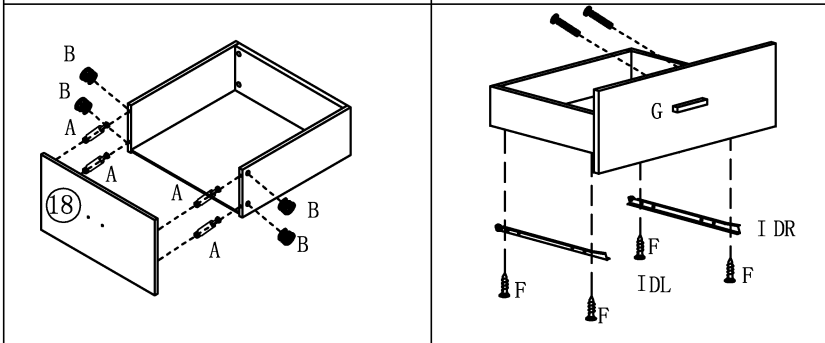
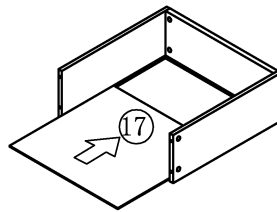
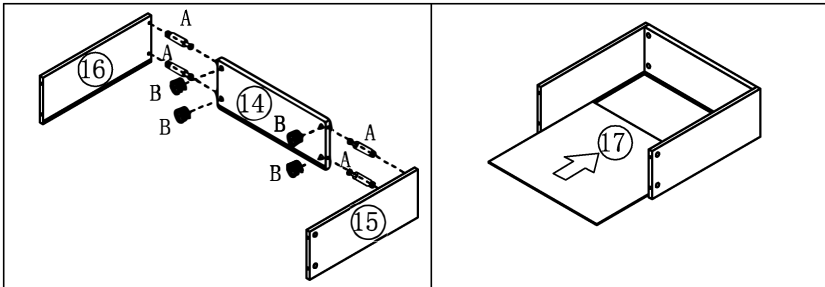
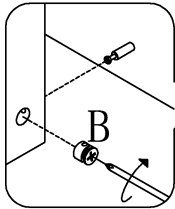
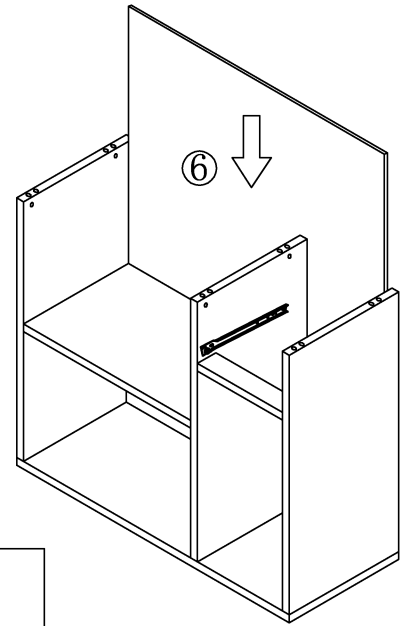
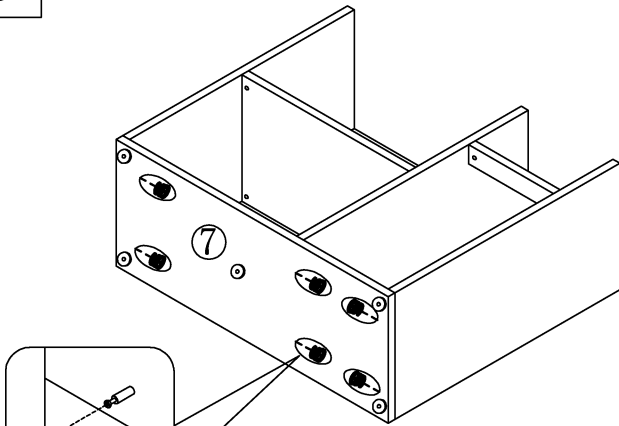


60 MIN

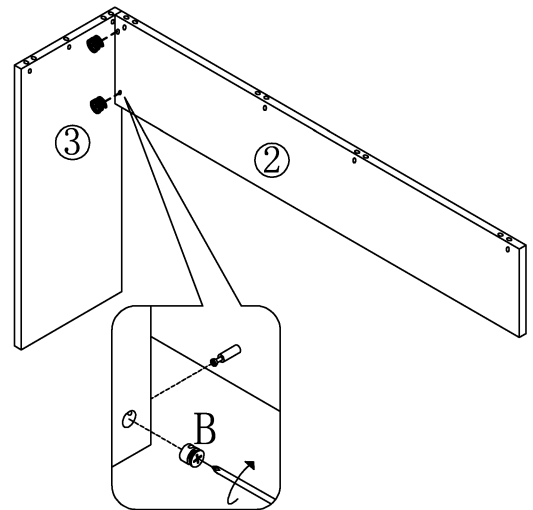
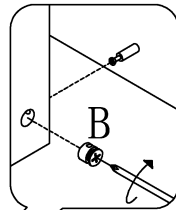
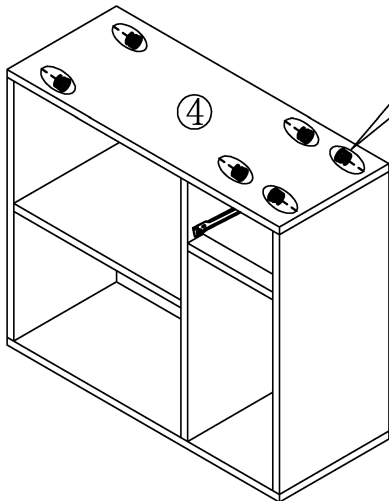


A	X39	B	X39	C	X30	D	X24	E	X7
F	X19	G	X2	H	X2	I	X1		

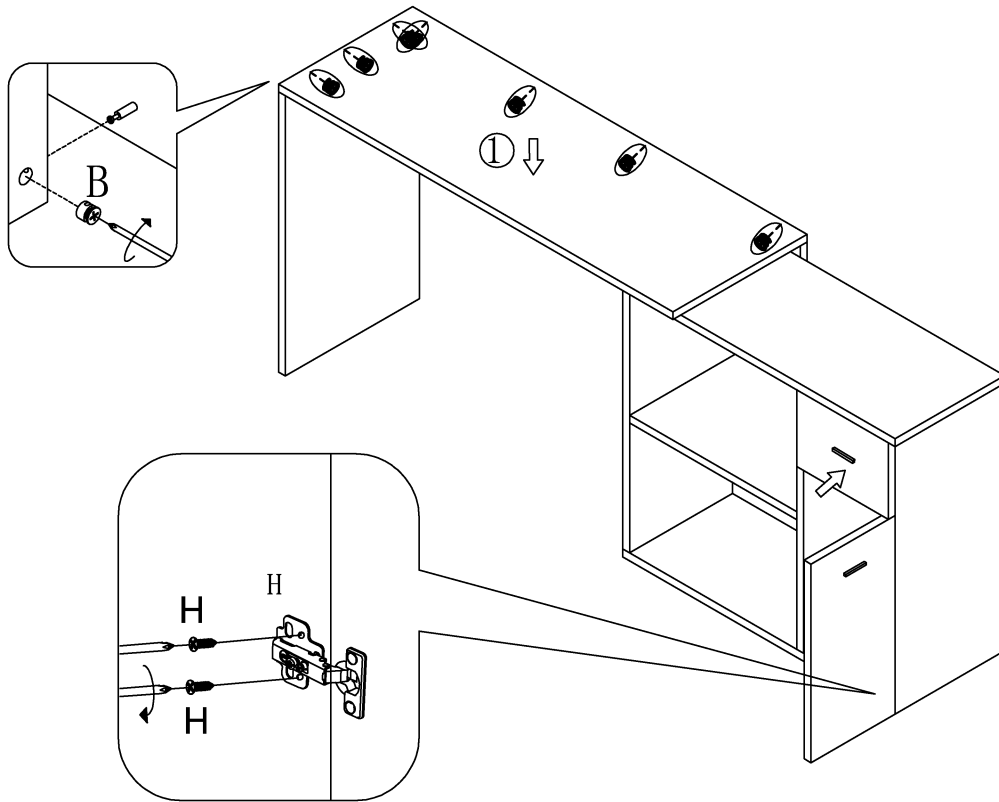
3



4



5



6

